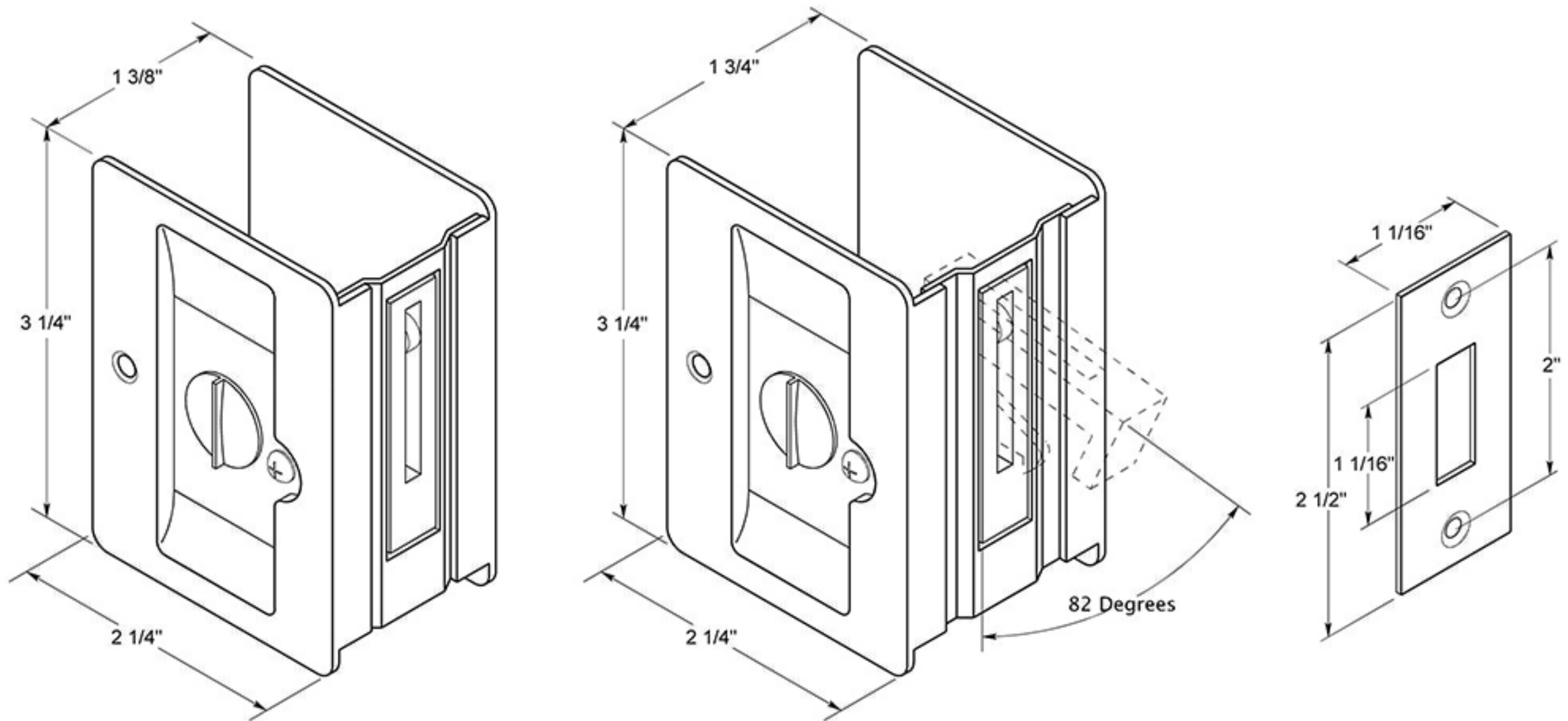


SDLA325

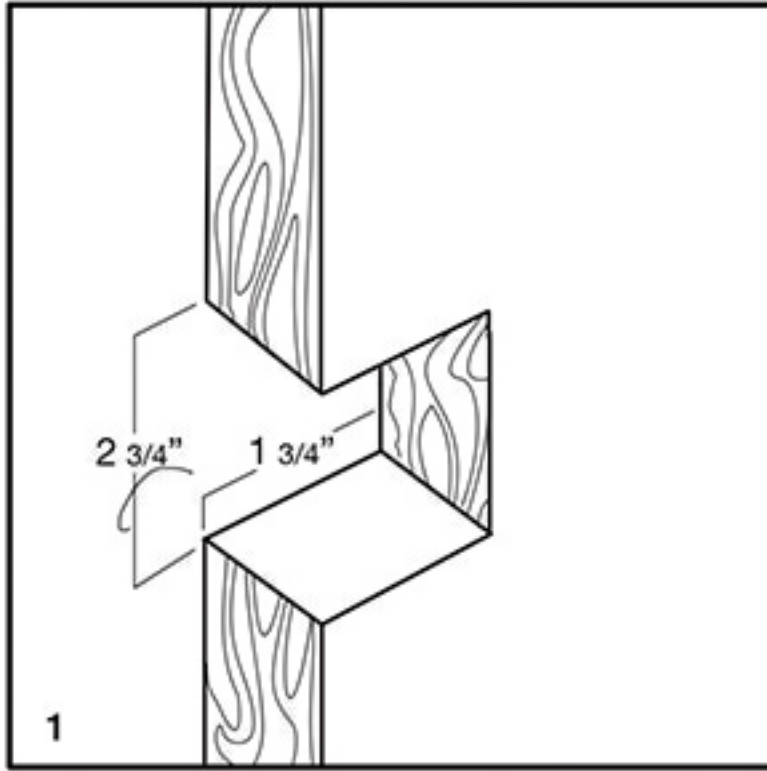
3-1/4" x 2-1/4" POCKET LOCK / PRIVACY / HD / ADJUSTABLE
SOLID BRASS



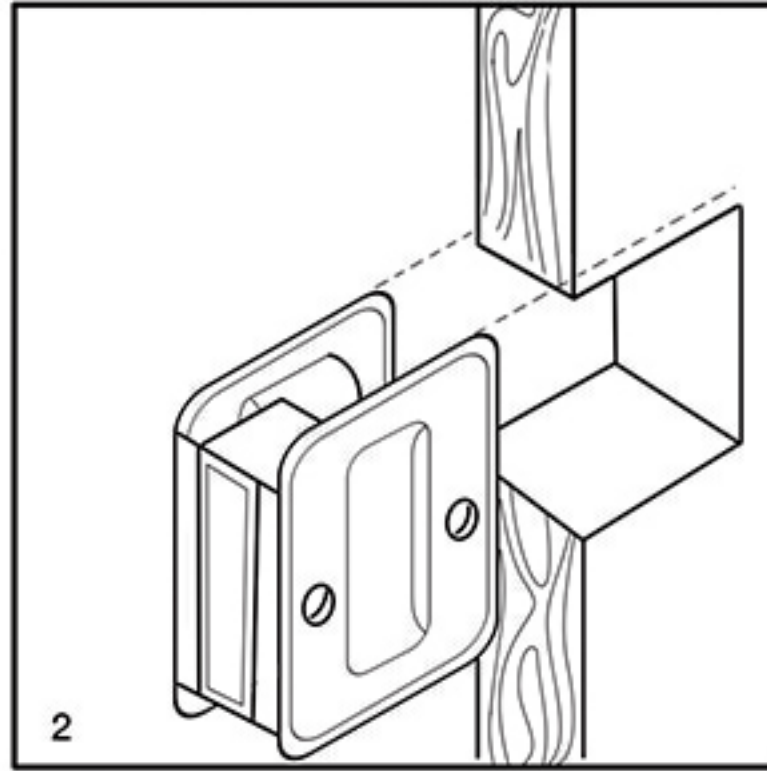
DRAWING NOT TO SCALE

NOTE: Deltana reserves the right to constantly improve its products and is not responsible for differences between the product in-hand and the specifications contained in this drawing. We do not recommend to pre-drill holes or pre-cut woods or metals based on the drawing information if the veracity of the specifications has not been proven by the live product.

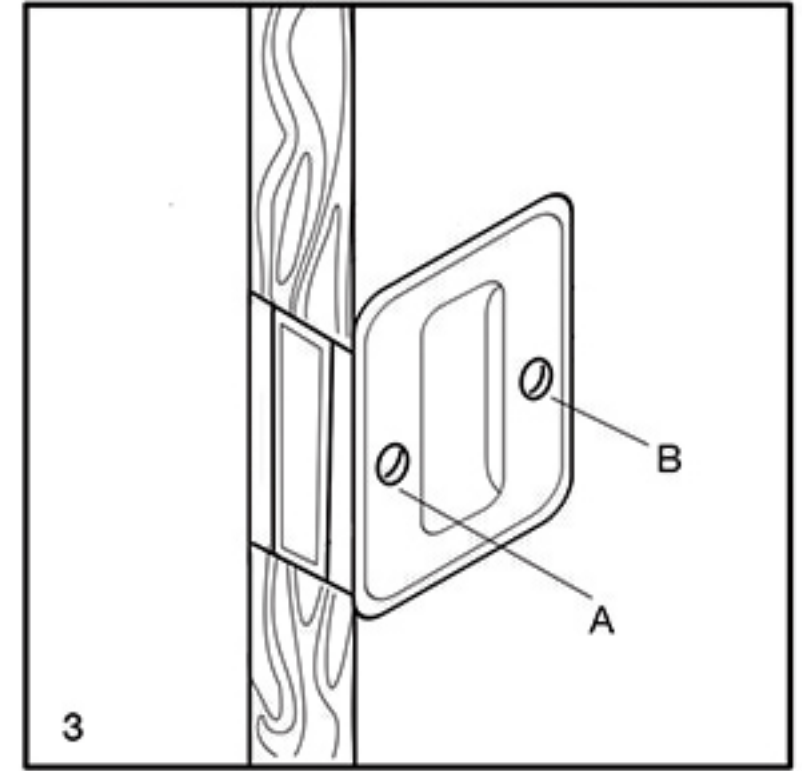
INSTALLATION INSTRUCTIONS / Heavy Duty & Adjustable / Fits Door Thickness: 13/8" - 13/4"



1 Cut one simple notch in door.

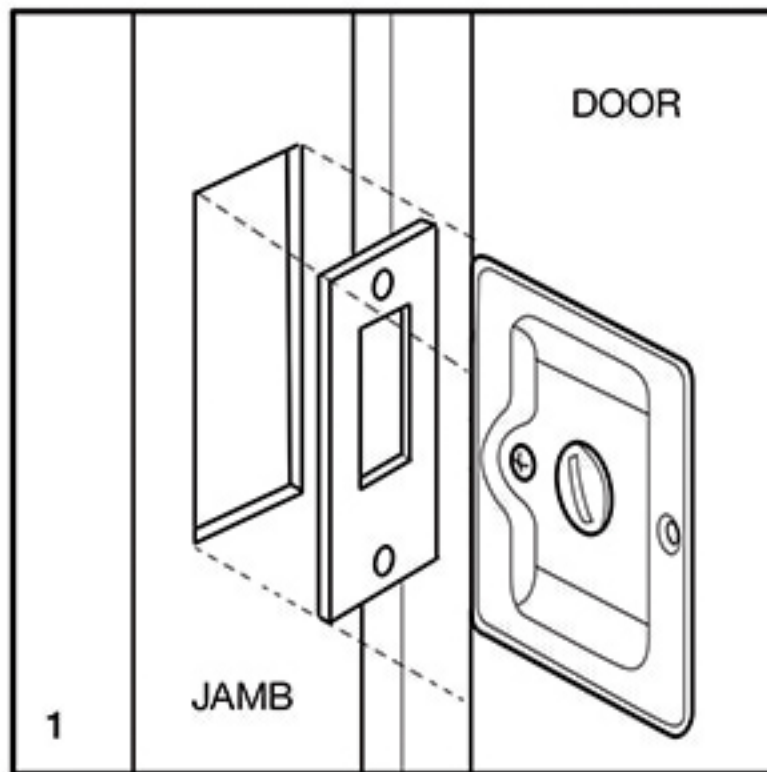


2 Slip pull into position as shown.

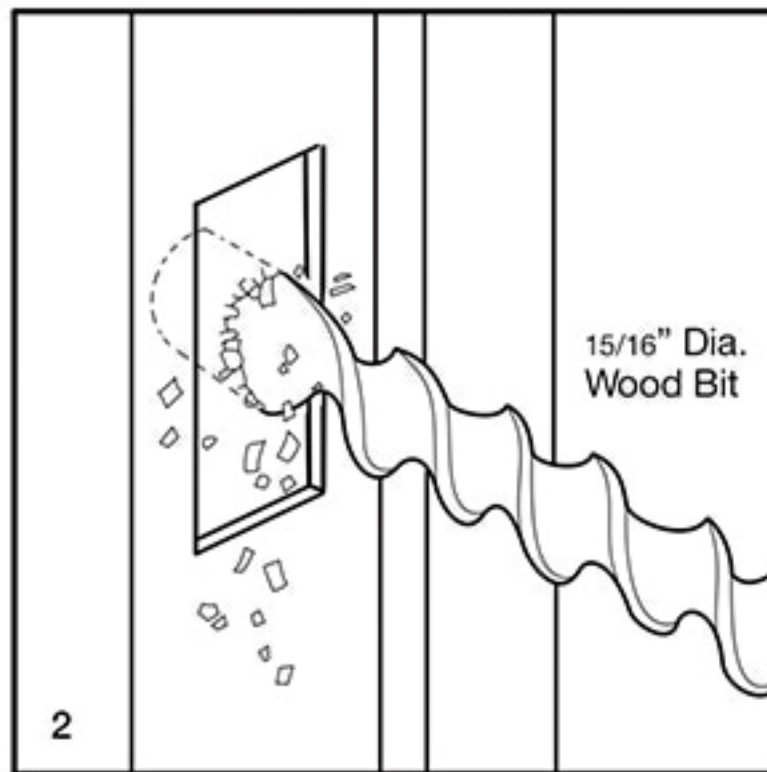


3 (A) Fasten machine screw which tightens and automatically aligns pull. (B) Insert wood screw and tighten.

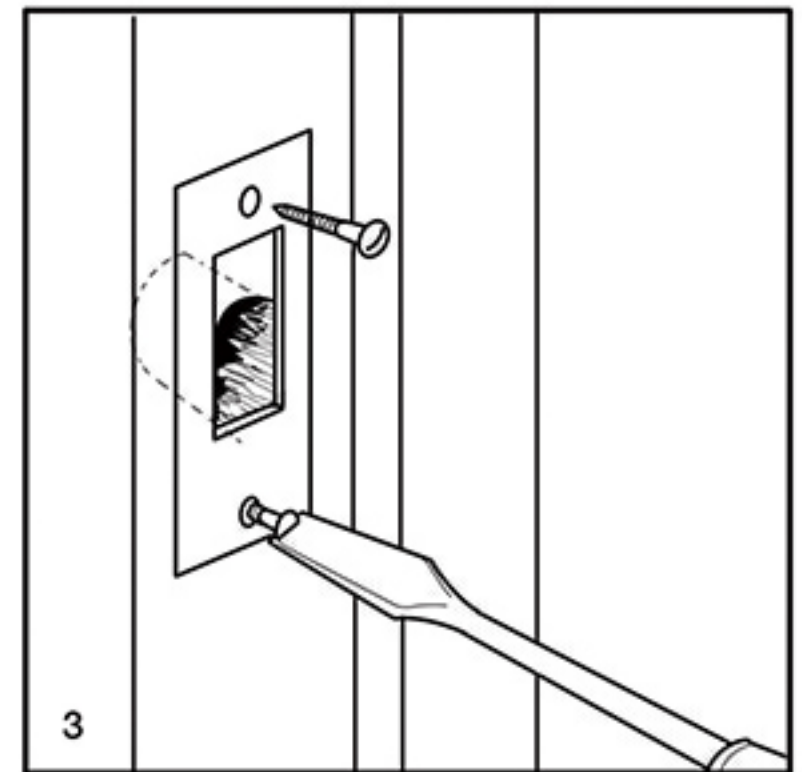
INSTALLATION OF STRIKE PLATE FOR LOCKING SET ONLY



1 Mark and mortise strike on jamb to correspond to lock position on door 1" x 2 1/4" x 1/16" deep.

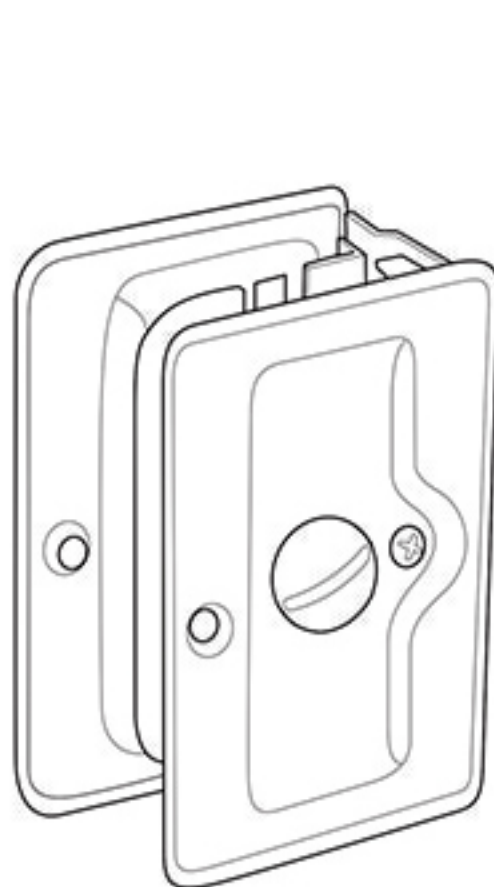


2 Drill 15/16" diameter hole 1/2" deep in center of mortise.

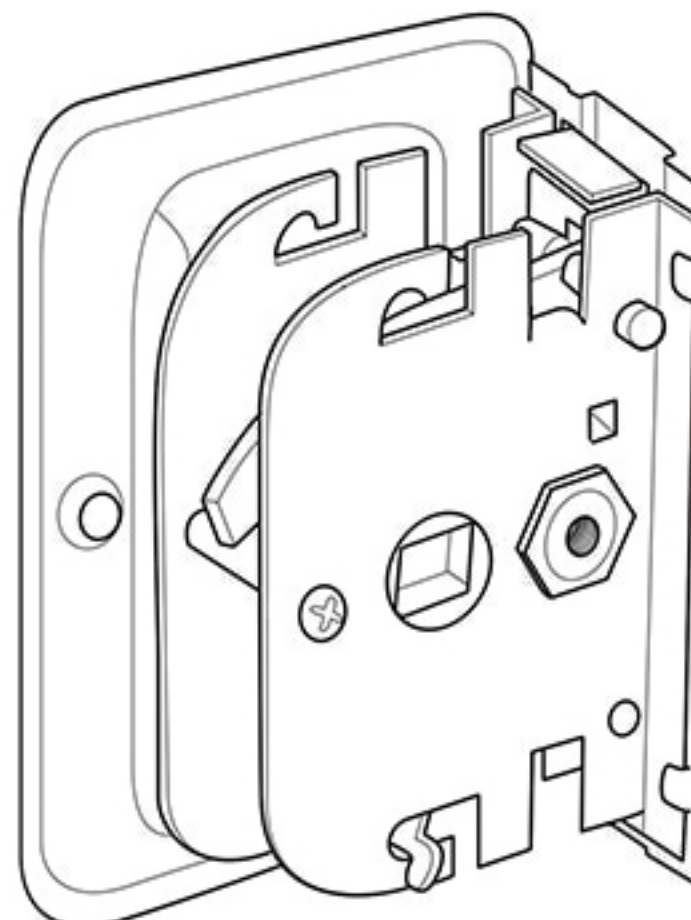


3 Screw strike plate into position using #6 x 5/8" long flat head wood screws.

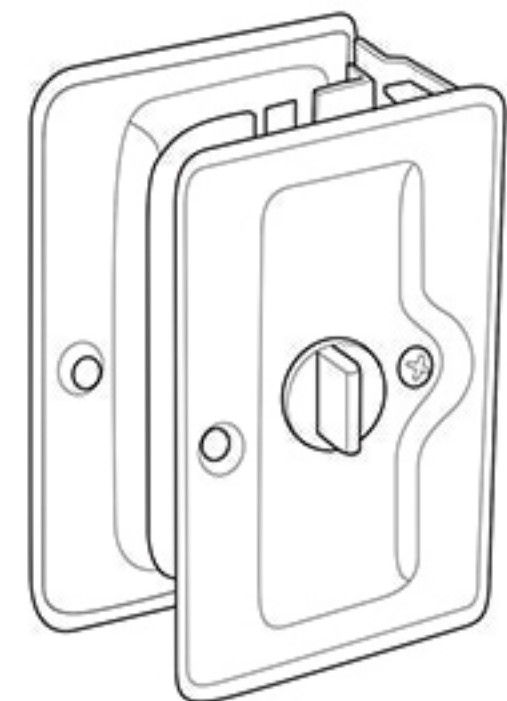
TO ASSEMBLE AFTER REVERSING PLATES



Before changing plates



With one plate removed



After changing plates

When it is desirable to reverse outside plates on lock assembly, first remove screws on each side-change plates from side to side and re-assemble.