



AMERICAN SPECIALTIES, INC.

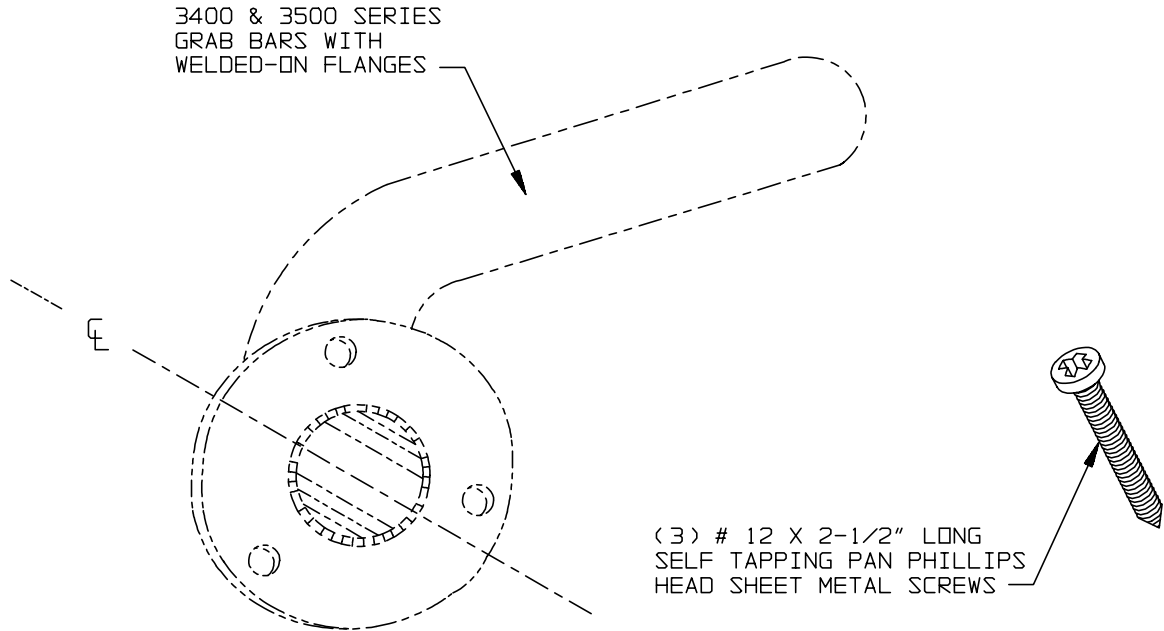
441 Saw Mill River Road, Yonkers, NY 10701 (914) 476-9000

MODEL No: 3900

ISSUED: 1-87

REVISED: 9-04

WALL ANCHOR



GRAB BAR FOR REFERENCE ONLY

SPECIFICATION

Wall Anchor shall be suitable for use in dry wall partitions to secure grab bars with exposed type mounting flanges (e.g. ASI series 3400 and 3500). Wall anchor shall be #12 x 2-1/23 long self tapping phillips pan head screw. Anchor kit shall contain (3) self tapping phillips pan head screws. Specify one (1) kit **per flange**.

Wall Anchor shall be Model N° 3900 as manufactured by American Specialties, Inc., 441 Saw Mill River Road, Yonkers, New York 10701-4913

INSTALLATION

For compliance with ADA Accessibility Guidelines mount grab bar so that horizontal centerline is 33" (838mm) minimum to 36" (914mm) maximum above finished floor. Locate grab bar in exact mounting position on wall and transfer centerlines of holes from each support post flange onto dry-wall that is suitably reinforced and code compliant. Drill holes into drywall and reinforcement or blocking at these centerline locations to suit screws furnished. Insert screws through flanges of grab bar and tighten onto wall.