



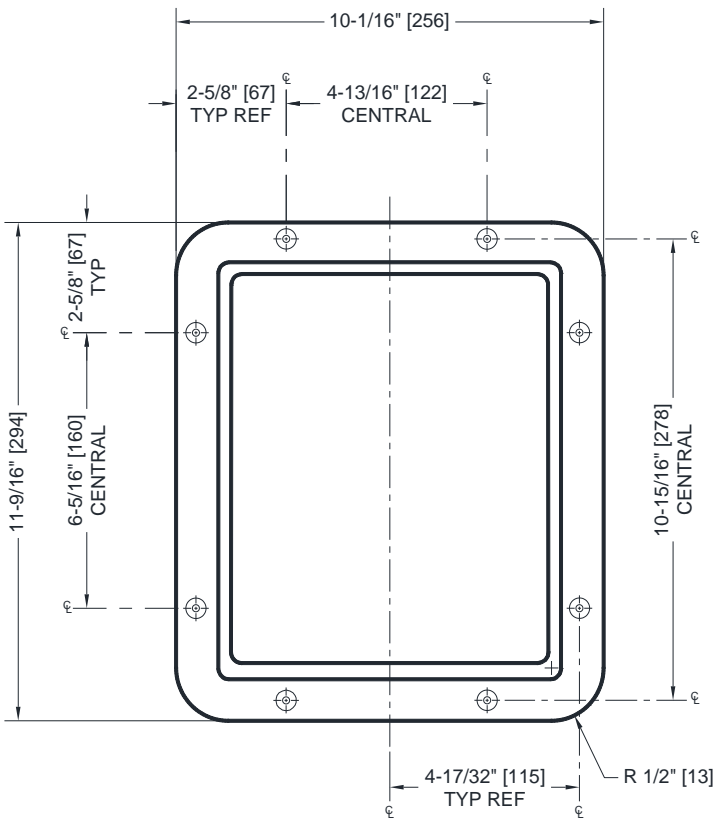
AMERICAN SPECIALTIES, INC.
 441 Saw Mill River Road, Yonkers, NY 10701
 (914) 476.9000 • (914) 476.0688
 www.americanspecialties.com

MODEL №: 104-14

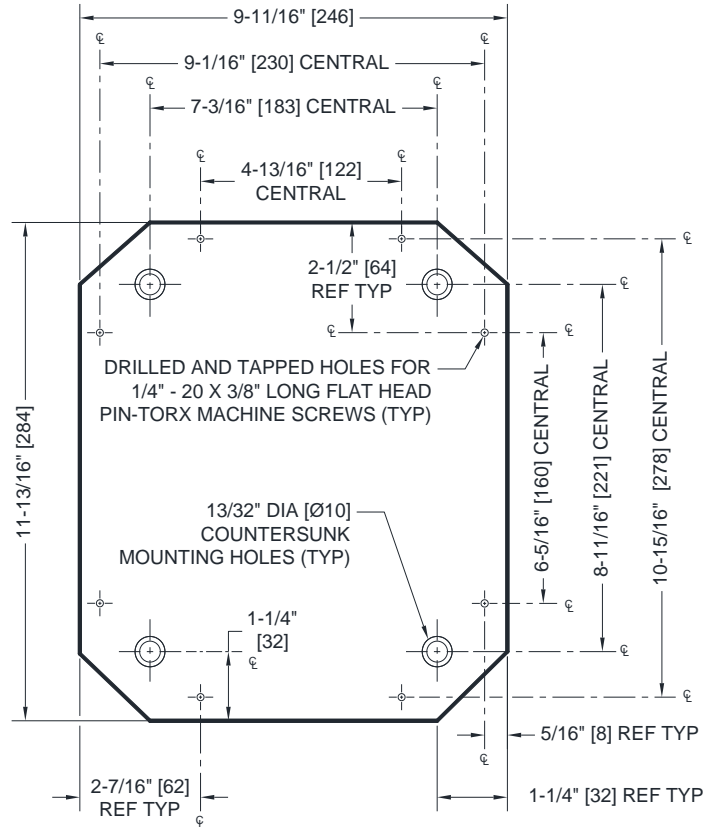
ISSUED: 1-90

REVISED: 18 JUL 2019

SECURITY FRAMED MIRROR WITH ROUNDED CORNERS



ELEVATION



WALL ANCHOR PLATE

NOTE

ALL DIM'S INCH [MM]
 ILLUSTRATION FOR REF ONLY AND NTS
 FOR CLEANING INSTRUCTIONS SEE APPROPRIATE SECTIONS
 IN PRODUCT CARE & MAINTENANCE BULLETIN (PCM) ON ASI WEBSITE

SPECIFICATION

Security Framed Mirror with Rounded Corners for wall anchor plate mounting shall be one piece formed 20 gage type 304 stainless steel alloy 18-8 with № 8 mirror polish. Installed unit shall project 7/16" [11] from wall. Frame shall have eight (8) dimpled holes for 1/4" - 20 x 3/8" long pin-Torx® flat head machine screws (supplied). Wall anchor plate shall be 7 gage steel and shall have four (4) 13/32" Dia [Ø10] countersunk mounting holes for 1/4" - 20 x 2" F.H. machine screws (supplied).

Security Framed Mirror with Rounded Corners shall be Model № 104-14 as manufactured by American Specialties, Inc., 441 Saw Mill River Road, Yonkers, New York 10701-4913

INSTALLATION

For Compliance with 2010 ADA Accessibility Standards and 2015 ABA Standards install unit so that bottom edge of reflecting surface is 40" [1016] max AFF (Above Finished Floor). Surface mount wall anchor plate with four (4) screws (supplied) through countersunk mounting holes provided. Mount and secure framed mirror to wall anchor plate with eight (8) 1/4" - 20 x 3/8" long pin-Torx® flat head machine screws (supplied) through dimpled holes in frame into tapped holes provided in wall plate.

GLAZING OPTION

For 18 gauge № 8 mirror polish finish specify Model № (e.g. 104).