

6295 Cranked Band Hinges with
 Pins Mounting Instructions
 (16" and 24")

Before you begin installation, please consult your local building code and/or pool code to ensure this product is suitable for your application. Periodic maintenance and testing to ensure proper operation is required.

Please wash your hands or wear clean gloves when handling this product, the oils from your fingers transfer to the stainless and leave a residue which is hard to clean off.

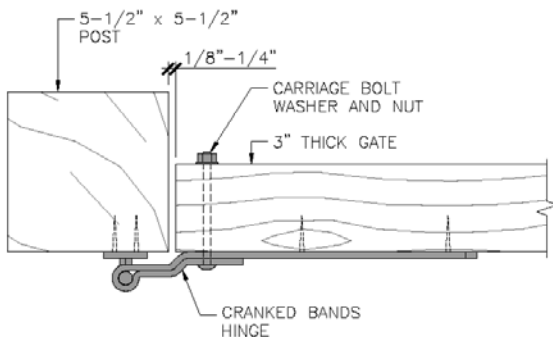
1. Fasten the two straps to the door or gate at the desired location. Make sure that they are perpendicular to the hinge side of the door or gate using a square. Ensure that the straps are mounted correctly left to right to align with the pin placement on the jamb or gate post. This placement can vary greatly depending on the type of installation so please pay special attention to this step. See the two pictures below for guidance.
2. Allow for a minimum 1/8" space between the door/gate and the post/jamb to allow for wood expansion and contraction with changes in the weather.
3. Mount the rectangular plates no less than 1/4" from the edge of the door jamb or gate post using the 2" x #12 screws supplied. As with the strap placement, the pin placement can be adjusted depending on your specific requirements. Please see the two pictures below for guidance.
4. A carriage bolt should be installed in the square hole of each strap through a pre-drilled hole (3/8" hole and bolt for 16" model and a 1/2" hole and bolt for the 24" model). Do not skip this step as it provides a great deal of the strength to the installation.

Please note that while stainless steel screws are supplied with our hinges, we do not supply the carriage bolts as the length requirement varies greatly with the application. We suggest using stainless steel carriage bolts. The bolt heads can be painted after installation using our black, colour matched touch up paint if required (item# 1200-10B).

Tips:

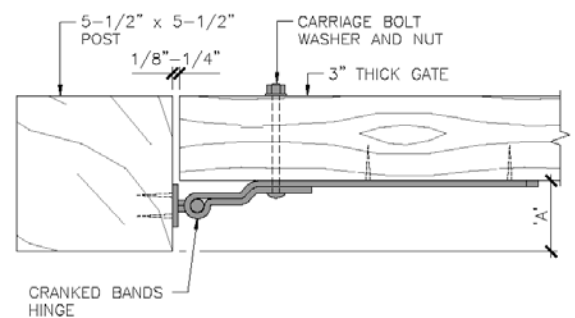
1. It is best to practice to predrill all screw holes with an appropriate sized bit to a suitable depth.
2. Initially when mounting the pin plates use only two screws placed in opposing corners on each plate. After assuring that all is aligned correctly and the operation is smooth, then complete the plate installation as outlined above.
3. To prevent the gate from being lifted off the pins install the top plate with the pin facing downward after the gate is installed and aligned on the bottom pin.
4. This type of hinge has a loose fit on the pin. While this might appear abnormal with just one hinge, once the second hinge is installed there will be little to no movement visible.

Flush Mount



For more detailed instructions, please visit:
www.snugcottagehardware.com

Jamb Mount



Snug Cottage Hardware
 Marysville, Michigan, USA and London, Ontario, Canada
 Phone: 519-473-2794 Fax: (519) 474-3337
www.snugcottagehardware.com