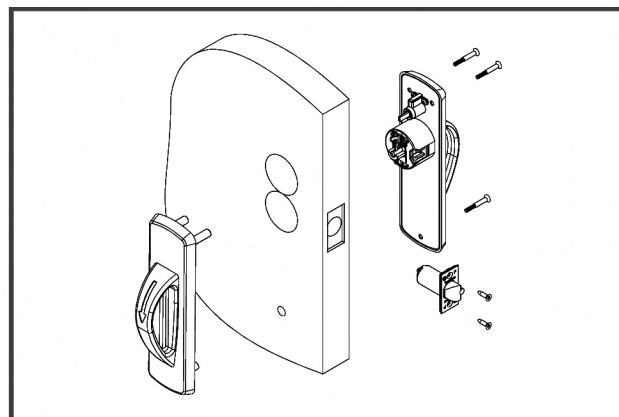


# CRX-A ANSI Grade 1 Cylindrical Lock with Ligature Resistant Trim-Arch



## Specification

- ANSI Grade 1 heavy duty cylindrical with 5-point ligature resistant arch trim
- Backset 2-3/4" standard, 5" optional
- Door thickness: 1-3/4"-2", other upon request
- Stainless steel arch trim, 2-5/8" projection
- Stainless steel plate, 9-5/8" x 2-13/16"
- Stainless steel deadlocking latch bolt, 1/2" throw
- Stainless steel ASA strike standard
- Tamper resistant mounting screws
- Handed
- Schlage "C" keyway, brass 6 pin cylinder standard
- Best® Small Format I.C. available, 6 or 7 Pin, with or without core
- Schlage® Large Format I.C. less core available
- Corbin® Large Format I.C. less core available
- High security cylinder available, TownSteel "L" keyway, 6 pin
- KD standard, KA, MK, GMK, GGMK and construction keying available
- Available functions: F-75, 76, 84, 86, Single Dummy (F-41), Pair Dummy (F-72)
- Door Prep: 161 plus 2-1/8" cylinder hole and 1/2" bottom post hole
- 10-year Manufacturer's Limited Warranty

## Code Compliance

**OMH** Accepted by New York State Office of Mental Health Patient Safety Standard

**ANSI/BHMA** Complies with ANSI/BHMA A156.2-2011 Grade 1

**UL/ULC** UL 10C Listed 3-Hour Fire Rating

**ADA** Meets guidelines of The Americans with Disabilities Act

**BAA** Meets requirements of The Buy American Act



## How To Order

<b>Series</b>	<b>CRX-A: Heavy Duty Ligature Resistant Cylindrical</b>
<b>Function</b>	<b>ANSI F-75, 76, 84, 86, 41, 72</b>
<b>Handing</b>	<b>LH, RH, LHR, RHR</b>
<b>Cylinder/Keying</b>	<b>Specify when ordering</b>

### Example

**CRX-A-75-LH**

1. **CRX-A: Heavy Duty Ligature Resistant Cylindrical**

2. **75: F-75 Passage**

3. **LH: Left Handed**

## Important Note:

It is TownSteel's position that if any of our keyed locks are to be used less cylinder, whether I.C. or standard, and another manufacturer's cylinder is to be used in place of the TownSteel original manufacturer's cylinder, that a sample of that product be provided to TownSteel in advance for testing.