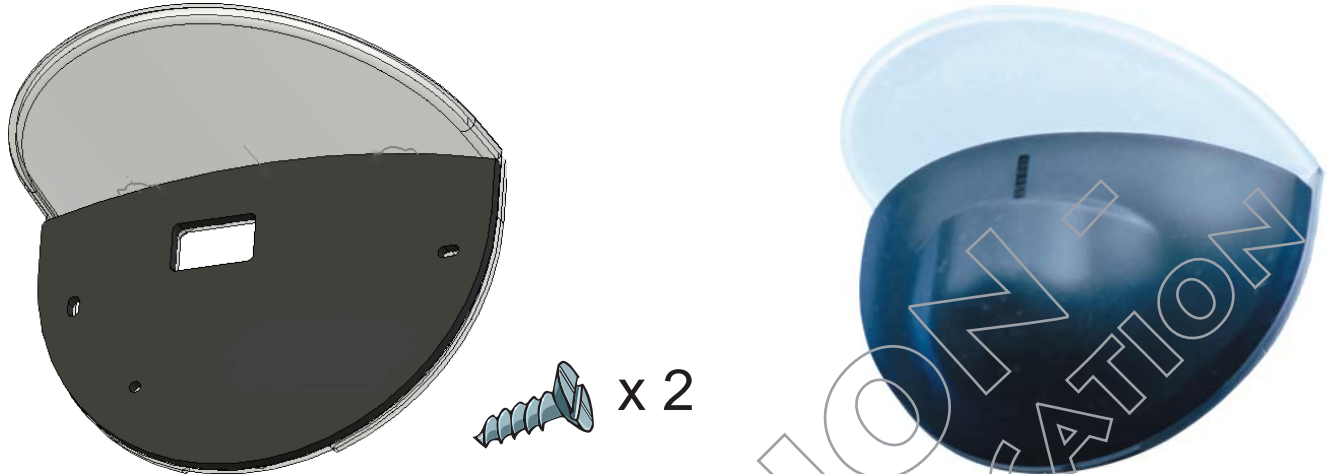
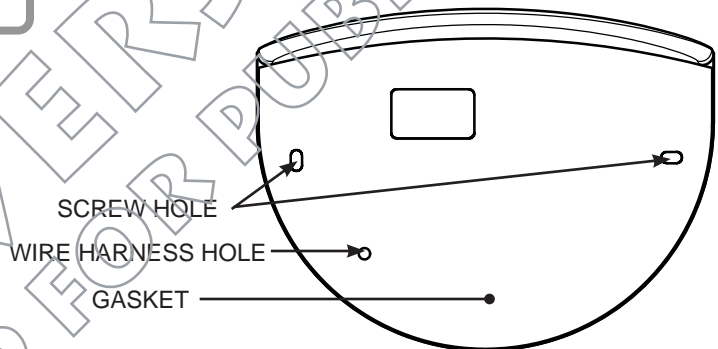


### 1 Description

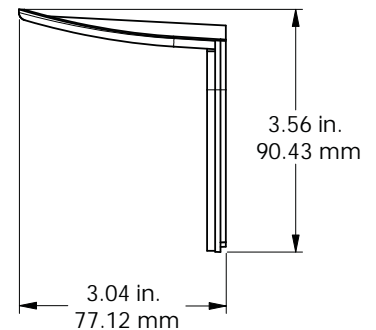
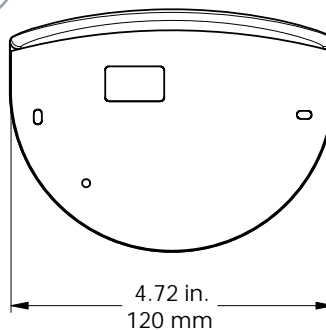


### 2 Installation

1. Clean and dry surface area.
2. Affix Mounting Template to surface area.
3. Drill holes as required for two screws.
4. Thread wiring harness thru hole in lower left side of cover and gasket.
5. Attach wire leads to terminal block on MMS (see MMS User Guide 75.5319).
6. Attach both the MMS and MMS Rain Cover to surface (wall or door frame) being careful not to pinch wiring harness or damage the MMS.
7. Re-install MMS Cover when finished.



**NOTE:** DO NOT apply too much pressure when cleaning the MMS Rain Cover.



### 3 Company Contact



Do not leave problems unresolved. If a satisfactory solution cannot be achieved after troubleshooting a problem, please contact LCN at 1-800-526-2400. If you must wait for the following workday to call LCN, leave the door inoperable until satisfactory repairs can be made. Never sacrifice the safe operation of the automatic door or gate for an incomplete solution.

For more information, visit [www.lcn.ingersollrand.com](http://www.lcn.ingersollrand.com).