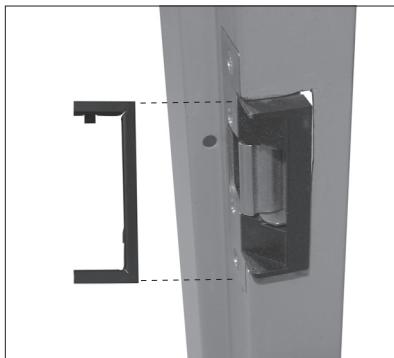




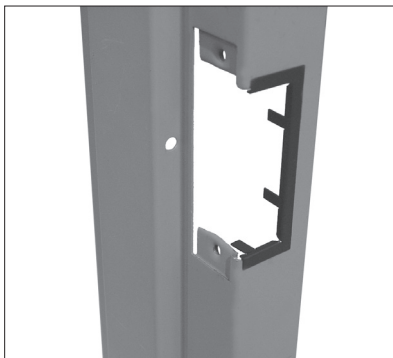
These Trim Plates can easily compensate for minor irregularities in the Lip Bracket cutout.



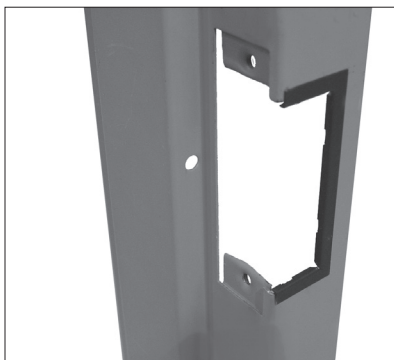
Make sure the Trim Plate series label matches the Strike series you are installing.

- L6 = Low Profile 6 Series
- S6 = Standard Profile 6 Series
- 4/7 = 4 Series or 7 Series

Position the Trim Plate on the frame cut-out to verify fit and coverage.



Adjust cut-out if required.



Bend the four tabs to hold the Trim Plate onto the frame.

For a tighter fit, pre-bend the two long flange tabs before sliding onto the frame where space allows.



Secure the strike to the frame as per strike installation instructions.