



## Dual Monitor Cabinet Lock

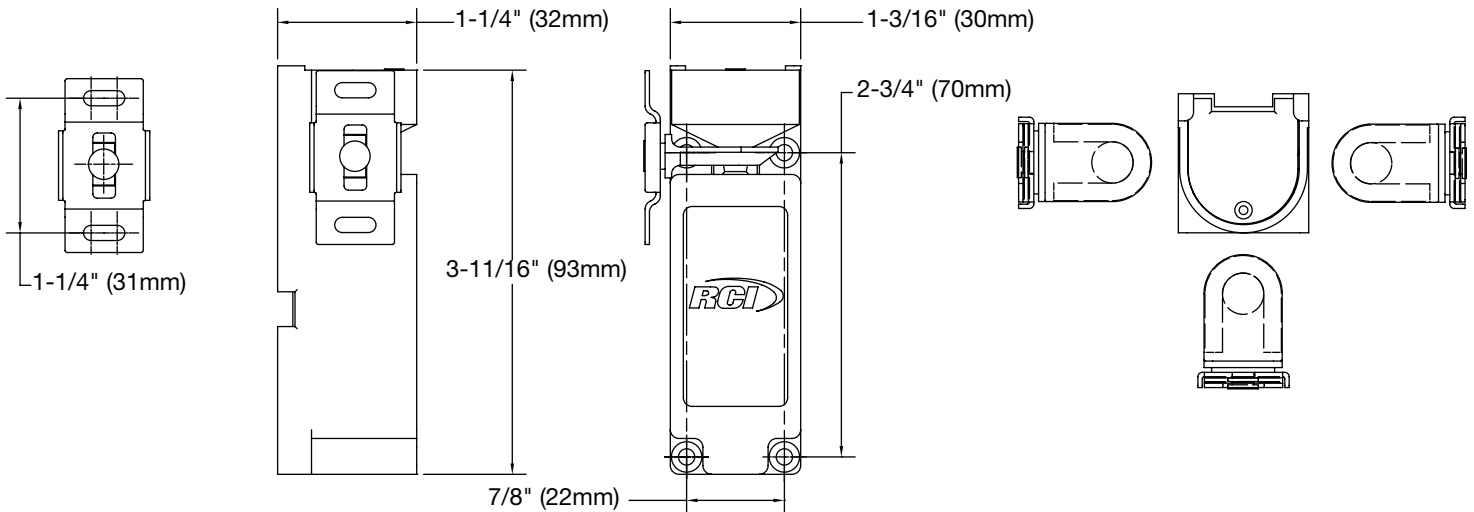
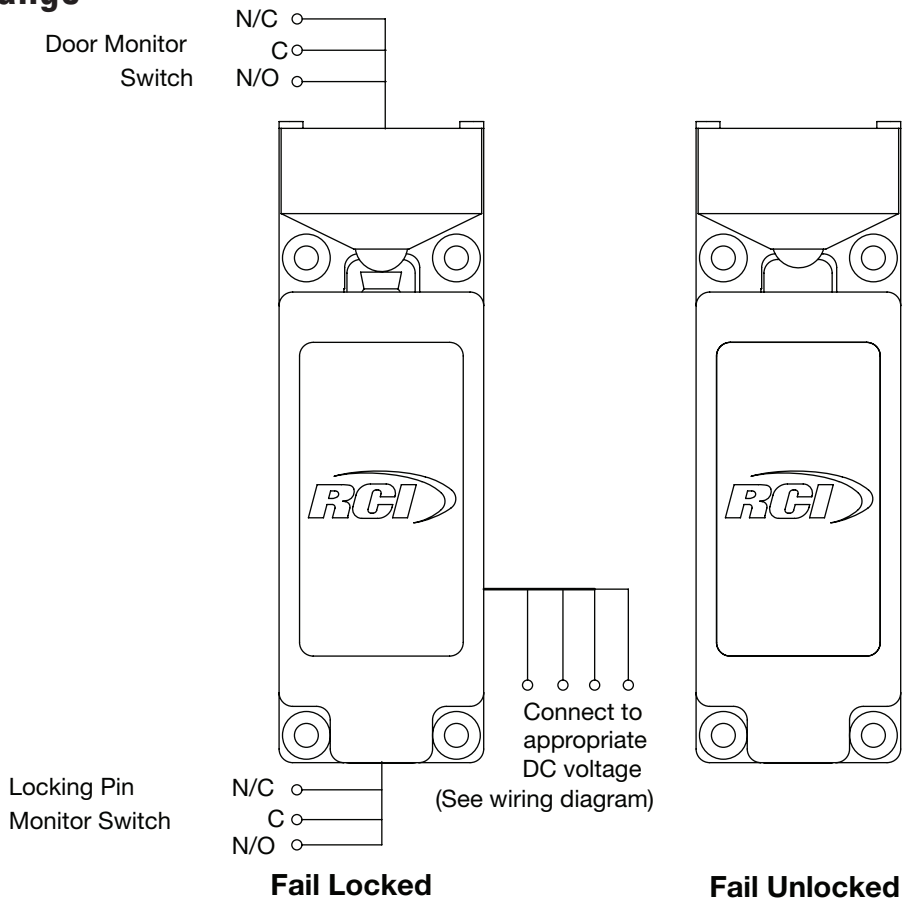
*In or Out... we make it Easy!*

### Instructions For Lock Mode Change

1. Remove the 2 screws on the bottom.
2. Remove base plate and solenoid.
3. Turn assembly 180° and install into housing.

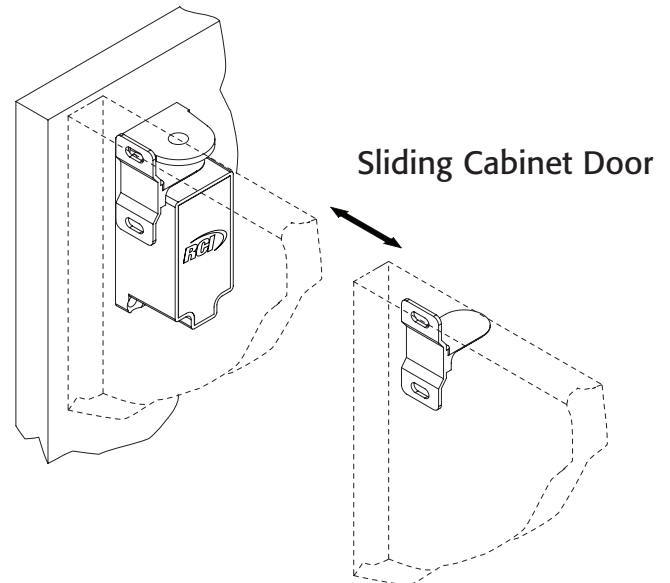
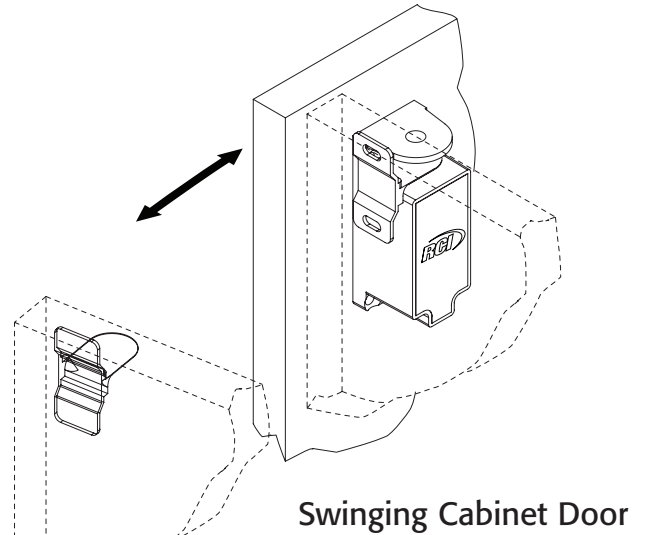
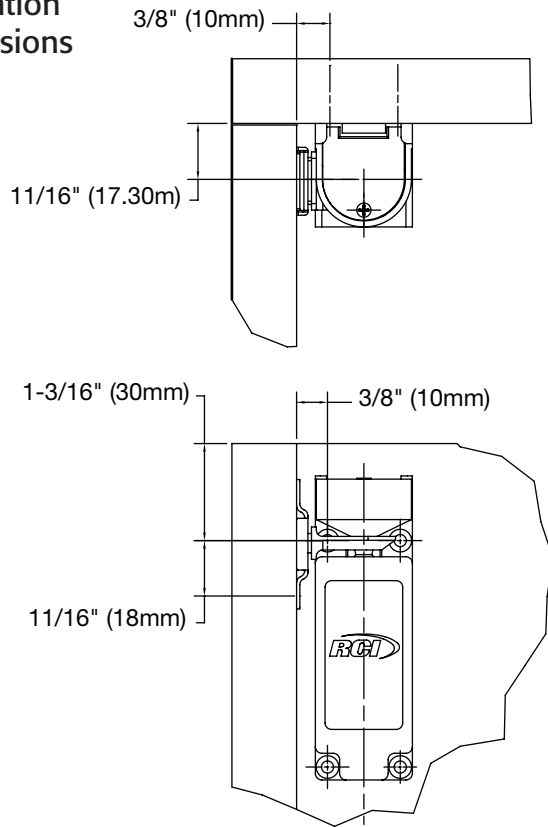
**WARNING:** Care should be taken to prevent damage to switch lever.

4. Insert the two screws.



# 3513-DM Installation Instructions (Continued)

## Installation Dimensions

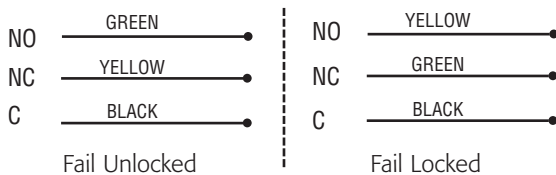


## Parts Checklist

QTY	Description
4	Flat Head Wood Screws
2	Pan Head Wood Screws

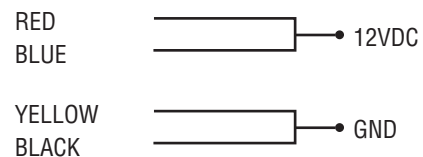
### 1. Locking Pin Monitor Switch Wiring Diagram

125VAC; 1A / 30VDC; 0.5A



### 3. Cabinet Lock Dual Voltage Wiring Diagram

12VDC (200mA)



### 2. Door Monitor Switch Wiring Diagram

125VAC; 3A / 30VDC; 2A



### 4. Cabinet Lock Dual Voltage Wiring Diagram

24VDC (100mA)

