

Child Resistant Pool Alarms



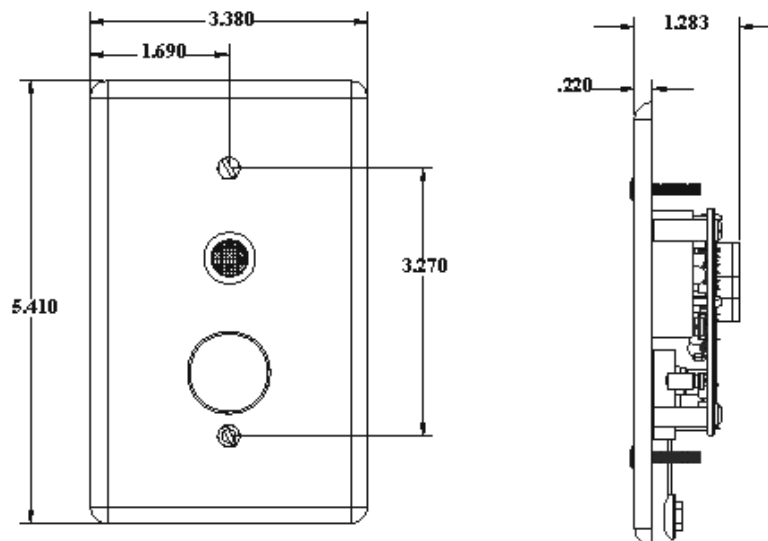
289CP-4

- Recessed Shunt Button with Protective Guard Ring
- Microprocessor Controlled
- Monitors Entry To Pool and Spa Areas
- Instant On
- Meets Operational Requirements of Model Barrier Codes
- Surface Mount or Recessed Models
- Additional Sounders and Shunt Options
- Low Battery Indicator

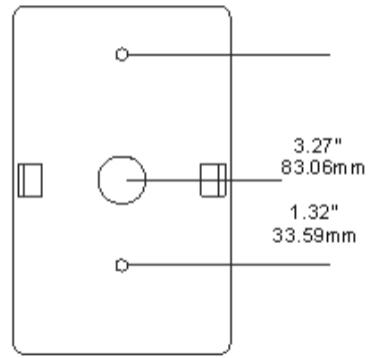
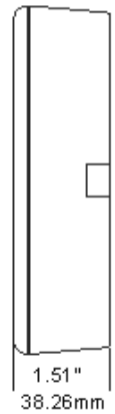
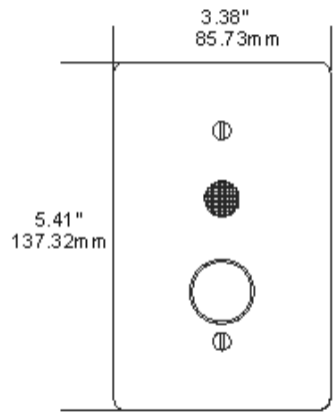
The GRI Child Resistant Pool Alarm is designed to operate with either a 9 volt battery or external DC power supply. The surface and recessed models will operate at any DC voltage from 5 - 15 volts maximum. The 12 volt DC power threshold is recommended to keep the audible volume of the alarm at its maximum level.



184CP-6

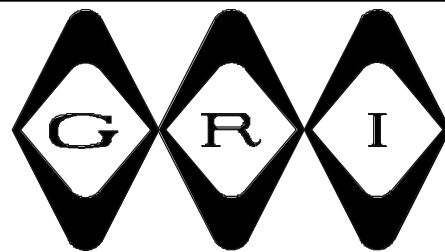


289CP-3



289CP-4

CHILD RESISTANT POOL ALARM ETL LISTED



- ◆ ETL Tested To Be In Compliance With Standard for Safety, UL 2017, and Florida Building Commission Code Requirements, Per ETL Listing Number 3035022
- ◆ Exceeds Operational Requirements of Model Barrier Codes
- ◆ Microprocessor Controlled
- ◆ Monitors Entry to Pool and Spa Areas
- ◆ Instant On Or 7 Second Delay Models Available
- ◆ Surface or Flush Mount Models
- ◆ 7 Second Adult Shunt. Changeable to 15 Seconds.
- ◆ Built-in Back-up Battery Capable
- ◆ Must Be Hard Wired To Remote 12 Volt maximum 500 mA Source or To Plug In Power Source.
Applied Voltage Must Not Exceed 15 VDC. Battery for Backup Only.



289CP-4

The new GRI DOOR ALERT/POOL ALARM was designed as an aid for prevention of an unattended access to a pool/spa area by a small child. Monitoring all doors or windows with CLOSED LOOP magnetic reed switches, the DOOR ALERT/POOL ALARM will sound an alarm should anyone too small to manage the adult pass thru feature attempt access to the pool/spa area. For maximum protection all moveable openings should be protected in such a manner by the GRI DOOR ALERT/POOL ALARM.

The 289CP-1, 289CP-2, 289CP-3 and 289CP-4 can be operated with an on-board 9 volt battery with a 12 volt externally supplied DC power source, in which case the battery will perform a back-up function should the externally supplied source fail for any reason. Both power sources have been designed to maintain a minimum sound pressure level of 85db at 10'. Should the battery voltage drop below 7 volts while in backup mode, a low battery mode will be initiated and the unit will sound 2 beeps approximately every 3 seconds for one to two weeks prior to total battery failure. Battery must be replaced at this time.

It is suggested that some type of surge protection, such as the GRI CS-1 Current Sensor, be used between the power supply and all GRI Pool Alarms using external power.

NOTE: Unit will function at minimum 5VDC at a very limited sounder volume. This power level is considered total battery failure.

PART NUMBERS

289CP-1
289CP-2
289CP-3
289CP-4

DESCRIPTION

Recessed DoorAlert/Pool Alarm 7 Second Delay - Closed Loop
Surface Mount Door Alert/Pool Alarm 7 Second Delay - Closed Loop
Recessed Door Alert/Pool Alarm - Instant On - Closed Loop
Surface Mount Door Alert/Pool Alarm - Instant On - Closed Loop

WARRANTY:

One year warranty against workmanship, material and factory defects.

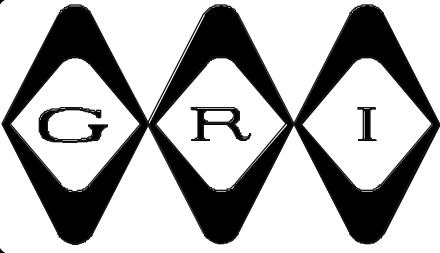
GEORGE RISK INDUSTRIES, INC.
GRI PLAZA
KIMBALL, NE 69145



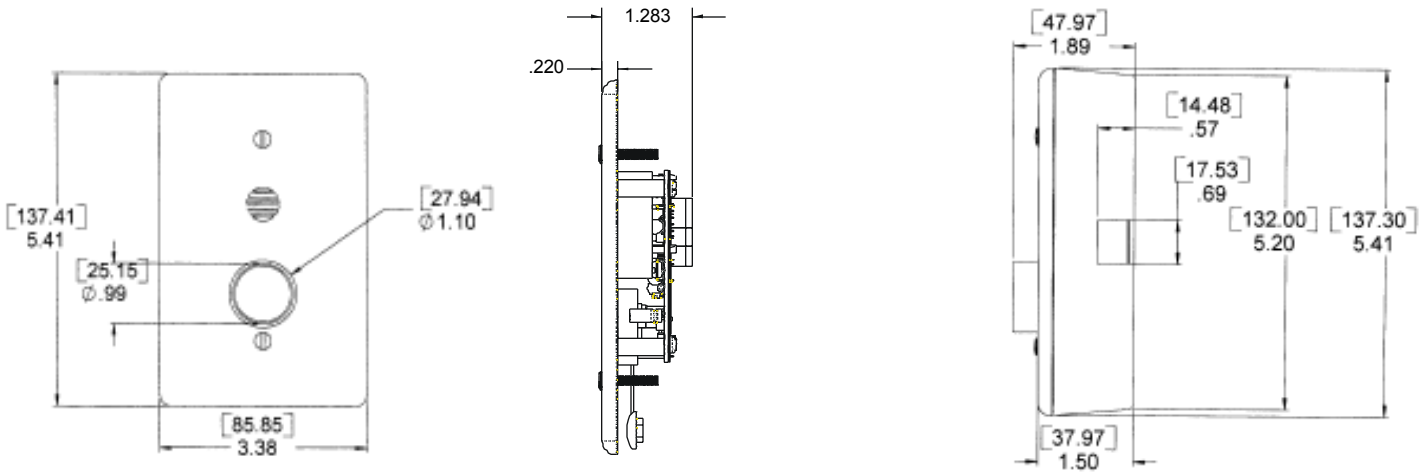
MADE IN U.S.A.

TOLL-FREE 1-800-445-5218
TOLL-FREE 1-800-523-1227
(308) 235-4645
FAX (308) 235-3561

E-MAIL: grisales@megavision.com
WEB SITE: www.grisk.com



CHILD RESISTANT POOL ALARM ETL LISTED



CHILD RESISTANT POOL ALARM ACCESSORIES

Remote Shunt Button:

If two doors are to be monitored by a G.R.I. 289CP Series Pool Alarm, a remote shunt button, Model No. 184CP-3 or 184CP-6 can be added. The Pool Alarm is mounted next to one door and the remote button by the other. The remote shunt button will function the same as the button on the 289CP Series Pool Alarm. The shunt button is recessed and has a child-resistant guard ring.

Remote Sounder and Shunt Buttons:

This is a combination unit that provides both a remote sounder and a shunt button. The 184CP-4 and 184CP-8 can be added when needed for additional windows and doors. This helps to distribute the piercing sound of an alarm through more parts of the house while also offering the pass through and silence features at those exits. This shunt button also is recessed and has a child resistant protective guard ring.



**Surface Mount
Button & Sounder**



**Surface Mount
Shunt Button
Only**

PART NUMBERS:

184CP-3	Recessed Mount Button Only, Child Resistant
184CP-4	Recessed Sounder and Button, Child Resistant
184CP-6	Surface Mount Button Only, Child Resistant
184CP-8	Surface Mount Sounder and Button, Child Resistant
8065	AC/DC 12 VDC Regulated Adaptor

WARRANTY:

One year warranty against workmanship, material and factory defects.

GEORGE RISK INDUSTRIES, INC.
G.R.I. PLAZA
KIMBALL, NE 69145



MADE IN U.S.A.

TOLL-FREE 1-800-445-5218 • 1-800-523-1227
(308) 235-4645 • FAX (308) 235-3561
E-MAIL: grisales@megavision.com
WEB SITE: www.grisk.com

PRODUCT DESCRIPTION FOR THE

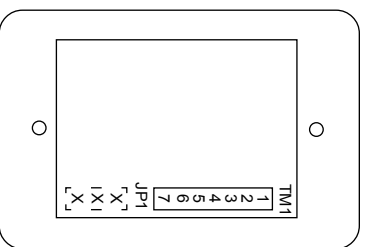
DOOR ALERT/POOL ALARM

Models 289CP-1, 289CP-2, 289CP-3 and 289CP-4

Type SM Signaling Device

ETL Tested To Be In Compliance With Standard For Safety, UL 2017, and Florida Building Commission Code Requirements, Per ETL Listing Number 3035022

Figure 2.
Terminal
Connections
& Jumpers

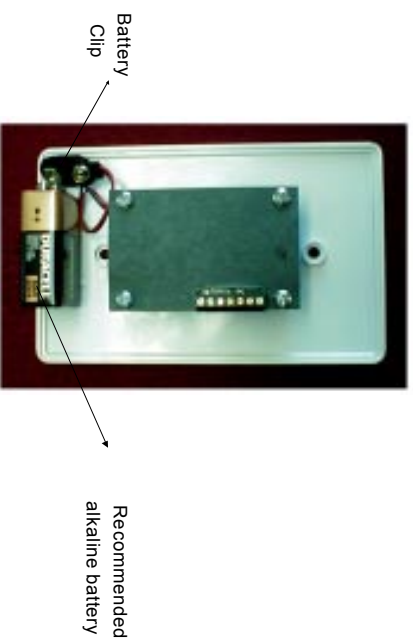


TERMINAL TMI
External Power (+)
Ground
Remote Sounder Controller
Remote Reset/Delay Switch
Door Contact
Remote Sounder Power (+)
Alarm Signal

PIN
1
2
3
4
5
6
7

Door Contact
Connections

The jumpers on JP1 are factory preselected. Alteration can effect timing and/or delay function.



It is suggested that some type of surge protection, such as the GRI CS-1 Current Sensor, be used between the power supply and all GRI PoolAlarms using external power.

NOTE: Unit will function at minimum 5VDC at a very limited sounder volume. This power level is considered total battery failure.

SPECIFICATIONS:

Battery Type	Standard 9 Volt
Battery Life	Approximately 2 Weeks
External Power Supply	12V DC 500 mA Output
	Applied Voltage must not exceed 15 Volts DC
Low Bat Mode	TV DC
Mounting Height	Ref. Local Code
Switch	Closed Loop

WARRANTY: One year against workmanship, material and factory defects.

DISCLAIMER

The G.R.I. Door Alert/Pool Alarm is not a life saving device. Its' intent is to serve strictly as a monitoring device on doors and windows to help prevent unattended access to pool and spa areas.

APPLICATION:
The GRI DOOR/ALERT POOL ALARM is designed as an aid to detect unsupervised access to a pool/spa area by a small child. Monitoring all doors and windows with magnetic reed switches the DOOR ALERT/POOL ALARM will sound an alarm should anyone too small to manage the adult pass through feature attempt access to the pool/spa area. For maximum protection all moveable openings should be protected in such a manner by the GRI DOOR ALERT/POOL ALARM.

DESCRIPTION:

The GRI DOOR ALERT/POOL ALARM uses a microprocessor to monitor the CLOSED LOOP magnetic reed switches, shunt/cancel button, battery and power supply voltages, and to provide the timing options. The recessed versions are designed to fit inside a single gang utility box, while the surface mount versions may easily be mounted to the wall of any structure.

The 289CP-1 and 289CP-2 versions offer a seven second delay in which an adult may open the protected door, shut it, and then press the shunt/cancel button without the alarm sounding.

The 289CP-3 and 289CP-4 versions alarm instantly if the protected door is open before the shunt/cancel button is pressed.

All versions must be operated with a 12 volt externally supplied DC power source. An optional onboard 9 volt battery can be used, in which case the battery will perform a backup function should the externally supplied source fail for any reason. The GRI DOOR ALERT/POOL ALARM is designed to maintain a minimum sound pressure level.

MODEL NUMBER AND VERSION

289CP-1	Recessed Door Alert/Pool Alarm 7 Second Delay
289CP-2	Surface Mount Door Alert/Pool Alarm 7 Second Delay
289CP-3	Recessed Door Alert/Pool Alarm Instant On
289CP-4	Surface Mount Door Alert/Pool Alarm Instant On

INSTALLATION WIRING DIAGRAM

Single Door with
Screen

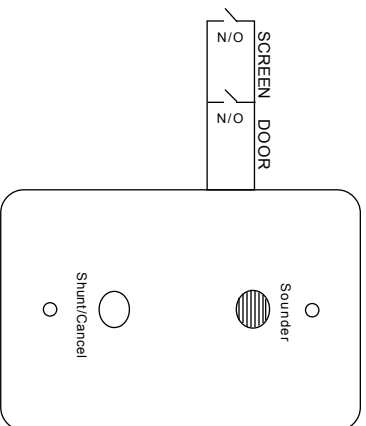


Figure 1. Wiring Diagram

INSTALLATION INSTRUCTIONS

A) Installing the Door Sensor

NOTE: Closed Loop Switch Required.

The GRI DOORALERT/POOL ALARM uses CLOSED LOOP (normally open) magnetic reed switches. Install the magnetic reed switch on the door according to the manufacturer's installation instructions. If there is a screen door, a switch should be installed on it as well. The switches should be connected in parallel as in Figure 1. In this configuration the DOORALERT/POOL ALARM will only activate if both doors are open. Next run the wires from the switch(es) to where the DOOR ALERT/POOL ALARM will be located on the wall.

B) Installing the DOOR ALERT/POOL ALARM

NOTE: The DOOR ALERT/POOL ALARM must be mounted as per local code or regulations.

SURFACE MOUNT VERSION:

Remove the DOORALERT/POOL ALARM from the surface mount case. Knockouts are provided on this case for wire access. Attach the surface mount case directly to the wall or existing fixture, or it may be mounted to a single gang electrical box. Attach the wires from door switch to terminal TM1 pins 2 and 5. It does not matter which wire goes in which location. Using an external 12 volt DC supply, run the wires from the power source to the alarm unit and attach the positive voltage to pin 1 and ground to pin 2 of terminal TM1.

If battery backup is desired, connect a standard 9 volt battery. The alarm will beep during power up indicating a successful diagnostics test. Lay the battery in the bottom of the case and reassemble the DOORALERT/POOL ALARM with the button on the bottom and the sounder on

top. Secure with the two screws provided.

RECESSED VERSION:

The recessed version of the DOORALERT/POOL ALARM is designed to fit in a single gang utility box. Run the wires from the door sensor switch(es) into the utility box. Attach the wires to terminal TM1 pins 2 and 5. It does not matter which wire goes in which location. Using an external 12 volt DC supply, run the wires from the power source to the alarm unit and attach the positive voltage to pin 1 and ground to pin 2 of terminal TM1. If battery back up is desired, install a standard 9 volt battery on the back of the DOORALERT/POOL ALARM. The alarm will beep twice during power up later indicating a successful diagnostics test. Finally, insert the DOORALERT/POOL ALARM into the utility box with the button on the bottom and the sounder on top. Secure with the two screws provided.

PERTAINS TO SURFACE MOUNT AND RECESSED:

To maintain maximum sounder volume, a low battery mode will be initiated. Should the voltage drop below 7 volts the low battery mode will be triggered and the unit will beep approximately every 5 seconds for one to two weeks prior to total battery failure. The battery must be replaced at this time and the cause of power failure determined and restored.

When the alarm is sounding, it can only be turned off by pressing the shunt/cancel button. If the door is still open 7 seconds after the button is pressed, the alarm will sound again and continue until the door is closed and the button is pressed.

WIRING SPECIFICATION:

For connection of optional remote equipment and door contact switches a Belden CAT5 CL2 or equivalent cable is recommended. For the connection of the 12 volt power supply to the alarm unit a Belden 18-2 CL2-CMR 300V 60°C or equivalent wire is recommended. In all cases installer should reference current local N.E.C. code, and/or code requirements set forth by local housing authority or code enforcement jurisdiction.

RECOMMENDED SYSTEMS TESTING:

Periodic system testing shall be performed on a weekly basis, and should incorporate operation of each door and window covered by the system, to confirm an alarm sounding at each opening. Installation of on-board battery as redundant power source shall necessitate this testing is performed with primary power source disconnected. In all cases battery should be replaced on a regular basis of every 80 to 90 days.



**G.R.I. POOLALARM
SOFTWARE JUMPER OPTIONS
(New 2008 Jumper Settings with Green Terminal
G.R.I. 289 Series PoolAlarms)**



JP1 Jumper Positions

Note that position 1 is closest to Sounder.

Position 1 No Jumper, Instant On. With Jumper, 7 Second Delay.

Position 2 No Jumper, 15 Second Shunt. With Jumper, 7 Second Shunt.

Position 3 No Jumper, Aux/Relay Follows Alarm. With Jumper, Aux/Relay Follows Door.

Aux Output TM1-7 Is Grounded When On. 400 mA Maximum Current.

Select Desired Setting And Restore Power To Save

PLEASE NOTE: Always reference local codes and / or regulations concerning installation of the G.R.I. Pool Alarms. Some state and area building codes do not accept seven second delay units.