



8800 Series

ANSI/BHMA Grade 1 Certified Mortise Locks





Contents

Benefits & Features.....	3-4
SL8800	4
How to Order.....	5
Finishes.....	6
Lever Trim	7-10
Reflections® Decorative Trim.....	11-12
Knob Trim.....	13
Mechanical Functions	14-19
Indicators	20-25
Electrified Mortise Locksets.....	26
Electrified Mortise Lockset Functions.....	27-28
Electrified Mortise Lockset Accessories	29
Cylinders.....	30-32
Cylinder Collars.....	33-40
Strikes	41
Miscellaneous.....	42
Handing	43
Dimensions	44
Installations.....	45
Technical Specifications & Listings	46

8800 Series Mortise Locks

Yale® 8800 Series Mortise Locks are designed and manufactured for uncompromising strength and durability in a range of commercial applications. Lock installation is made easy with quick lever handing, field reversible latchbolt and standard non-handed strike. Once installed, the 8800 Series Mortise Lock offers a new measure of security, featuring a reinforced stainless steel deadbolt, heavy-duty, vandal-resistant trim and ANSI/BHMA Grade 1 certification for long life and durability. The 8800 Series Mortise Lock is even backed by a 10 year mechanical warranty, making this product completely worry-free.

When you can't compromise on the quality of your security, Yale Works for YouSM.



Secure:
Stainless steel reinforced deadbolt

Easy and flexible installation:
Field reversible lever handing and latchbolt

Resistant to abuse:
Heavy-duty trim prevents damage

No visible screws:
Great deterrent to vandalism

Indicator available:
Options to suit any application, see page 20

UNLOCKED
LOCKED

Hurricane UL BHMA CERTIFIED

Features



Features

- UL Cycle above and beyond test completed at 12.3 Million Cycles. Verification ID: V572228
- Heavy-duty trim for resistance against damage and vandalism
- Functions available for any industrial or commercial application
- Field adjustable lever handing and latchbolt
- ANSI/BHMA Certified Grade 1 for long-life and durability
- UL/cUL listed for 3 hour fire rated doors
- 10 year mechanical warranty
- Available in a variety of attractive trims and finishes
- Status indicator options available to provide peace of mind on the locked/unlocked status of a door



Escutcheon Trim



Rose/Sectional Trim

Applications

- Offices
- Shopping centers
- Industrial buildings
- Commercial facilities

Specifications

Armor Front	8" x 1-1/4"
Backset	2-3/4" only
Case	Wrought steel, zinc dichromated
Deadbolt	1" throw, cast stainless steel.
Door Thickness	1-3/4" standard, available for up to 3-1/4" thick doors
Handing	Field reversible
Hubs	3/8" solid steel, fine-blanked and heat treated for additional strength
Latchbolt	3/4" throw, stainless steel one-piece anti-friction
Strike	1-1/4" (model 2815) curved lip strike standard, see page 41 for additional options.

SL8800

For more heavy-duty applications, the SL8800 Series Mortise Lock offers an extra measure of security. The SL8800 is ideal for situations where heavy abuse or vandalism might be a concern. The SL8800 is available in most mortise lock functions; please see pages 14-19 for more information.

Features

- Heavy duty escutcheon trim that is flat against the door to resist damage and vandalism
- Lever attached directly to escutcheon for added security
- Thrubolted security head screws offer added protection



Applications

- Schools
- Minimum security prisons
- High crime areas
- SL trim available in 630 finish only.

How To Order



Trim Design	Lock Series/Function	Cylinder	Hand	Door Thickness	Finish	Highest Keying Level	Supplementary Specifications/Options <small>Please add to end of order string.</small>
See pages 7-13	See pages 14-19	2153 cylinder standard, see pages 30-32 for additional options. If other than the standard cylinder is required, please specify by model number.	RH LH	1-3/4" standard, please specify if different door thickness required	See page 6 YMS = MicroShield®	"Level One" - KA or KD "Level Two" - MK "Level Three" - GM "Level Four" - GGM	<ul style="list-style-type: none"> • Lead lined (see page 46) • Knurled (see page 46) • Abrasive coated • Specific keying • 7-pin cylinders (see page 30) • Specific strike requirements, i.e. special lip length, curved, open back (see page 41) • For split finishes, please specify in detail. Indicate outside finish first regardless of hand of door. For RHR and LHR doors indicate the finish desired for front and strike. - Voltage for electrified (see page 26-29)















Ordering Example

AU x CN x 8807FL x 2153 x RH x 1-3/4" x 626 x GM

Finishes



The Yale® 8800 Series Mortise Lock is available in the finishes below. All knobs, lever handles, roses, escutcheons, cylinder collars and other exposed parts are fabricated of either brass, stainless steel or zinc and will be compatible with the finish ordered. When ordering, specify the finish required by the ANSI/BHMA Code Number only. When locksets are ordered with different trim finishes on each side, specify the outside finish first, i.e. AUR8817-2 x 612 x 625. The front and strike finish will match the inside finish unless specified otherwise.

ANSI/BHMA Code Finish Description				
605 Bright Brass, Clear Coated	606 Satin Brass, Clear Coated	611 Bright Bronze, Clear Coated	612 Satin Bronze, Clear Coated	613E Dark Oxidized Satin Bronze - equivalent
				
618 Bright Nickel Plated, Clear Coated	619* Satin Nickel Plated, Clear Coated	625 Bright Chrome Plated	626* Satin Chrome Plated	629 Bright Stainless Steel
				
630* Satin Stainless Steel	693 Black Painted	BSP Black Suede Powder Coat	WSP White Suede Powder Coat	
				

Notes:

613 and 722 finishes available by Special Product Application Request only. Please contact customer service for more information.

Designer trims are available in only the following finishes: 605, 619, 625, 656. SL trim only available in 630 finish only. Reflections® decorative levers are NOT available in the following finish: 693.

*Finish available with MicroShield® antimicrobial coating, additional finishes by special application. Consult factory for availability.

MicroShield coating may vary finish color from architectural standards. MicroShield is not intended as a substitute for traditional infection control programs such as hand hygiene or use of disinfectants. Coated products must still be cleaned to ensure the surfaces will be free of destructive microbes. Yale makes no representations or warranties, express or implied, as to the efficacy of MicroShield.

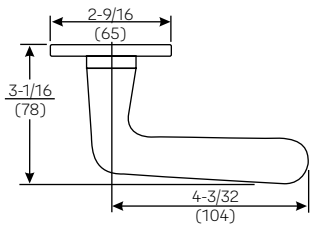
Lever Trim



Standard Rose

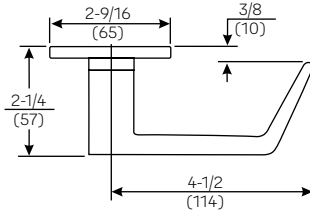
Arcadia - ARR

AR Lever Handle*: Cast
 CO Rose**: Stamped
 Cylinder Collar: See pages 33-40



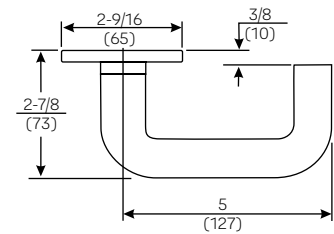
Augusta - AUR

AU Lever Handle: Cast
 CO Rose**: Stamped
 Cylinder Collar: See pages 33-40



Carmel - CRR

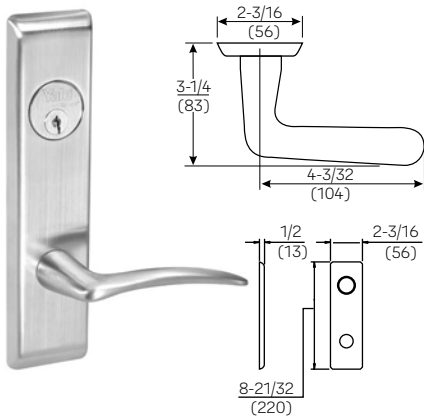
CR Lever Handle: Cast
 CO Rose**: Stamped
 Cylinder Collar: See pages 33-40



Standard Escutcheon

Arcadia - AR X CN

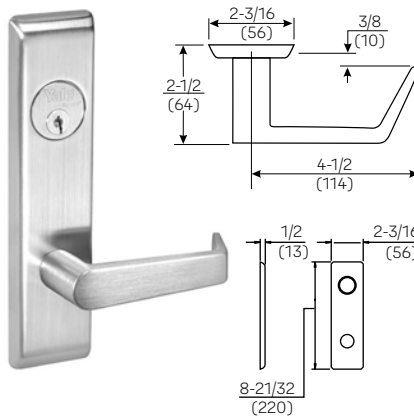
AR Lever Handle*: Cast
 CN Escutcheon**: Cast
 Cylinder Collar: See pages 33-40



Trim also available for SL Series, specify ARSL.

Augusta - AU X CN

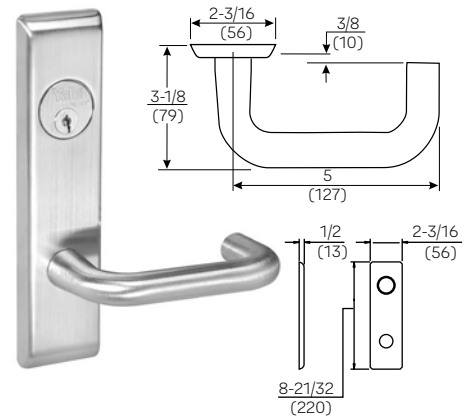
AU Lever Handle: Cast
 CN Escutcheon**: Cast
 Cylinder Collar: See pages 33-40



Trim also available for SL Series, specify AUSL.

Carmel - CR X CN

CR Lever Handle: Cast
 CN Escutcheon**: Cast
 Cylinder Collar: See pages 33-40



Trim also available for SL Series, specify CRSL.

*Indicates levers that are handed.

**Available with Reflections® rose or escutcheon. See page 12 for options.



Standard Rose

Jefferson - JNR

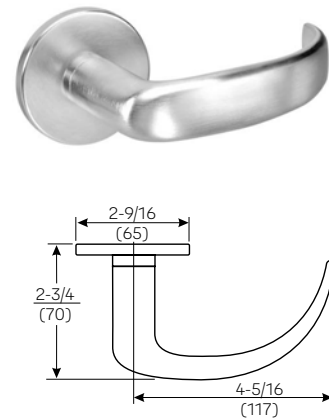
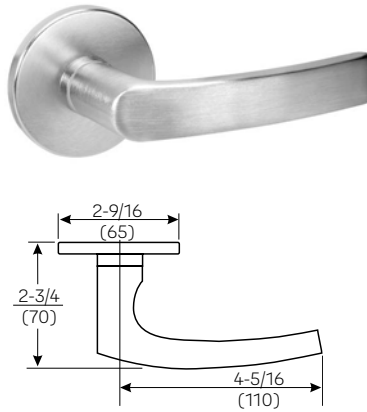
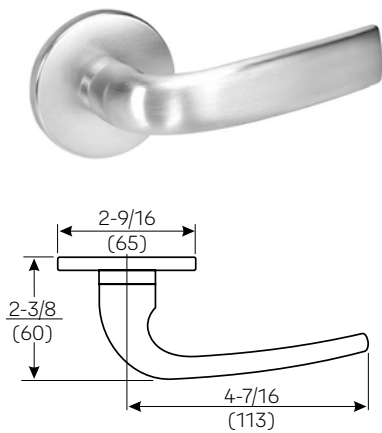
JN Lever Handle: Cast
 CO Rose**: Stamped
 Cylinder Collar: See pages 33-40

Monroe - MOR

MO Lever Handle: Cast
 CO Rose**: Stamped
 Cylinder Collar: See pages 33-40

Pacific Beach - PBR

PB Lever Handle: Cast
 CO Rose**: Stamped
 Cylinder Collar: See pages 33-40



Standard Escutcheon

Jefferson - JN X CN

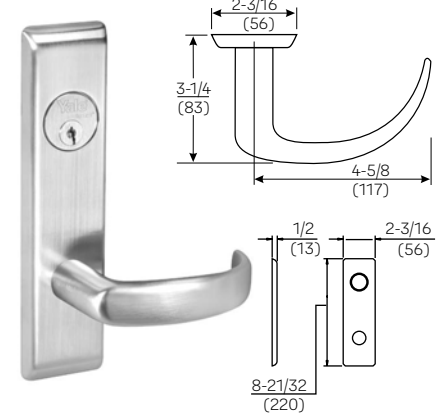
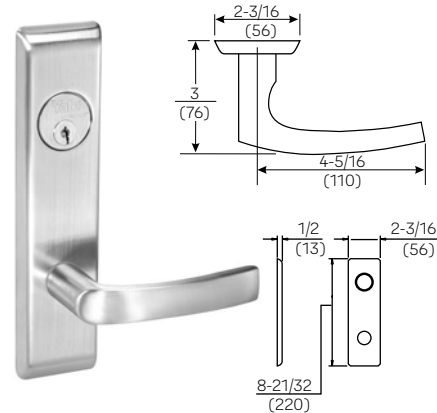
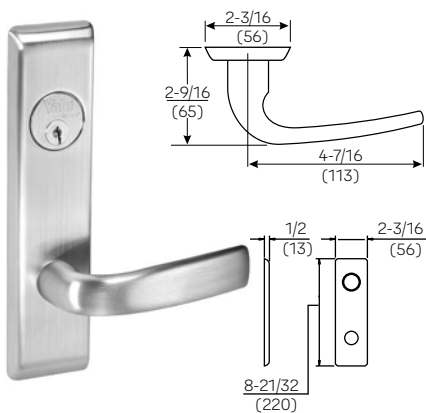
JN Lever Handle: Cast
 CN Escutcheon¹: Cast
 Cylinder Collar: See pages 33-40

Monroe - MO X CN

MO Lever Handle: Cast
 CN Escutcheon¹: Cast
 Cylinder Collar: See pages 33-40

Pacific Beach - PB X CN

PB Lever Handle: Cast
 CN Escutcheon¹: Cast
 Cylinder Collar: See pages 33-40



Trim also available for SL Series, specify JNSL.

Trim also available for SL Series, specify MOSL.

Trim also available for SL Series, specify PBSL.

¹Indicates levers that are handed.

²Available with Reflections® rose or escutcheon. See page 12 for options.



Lever Trim

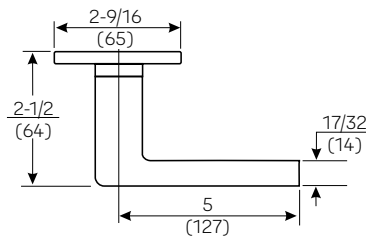
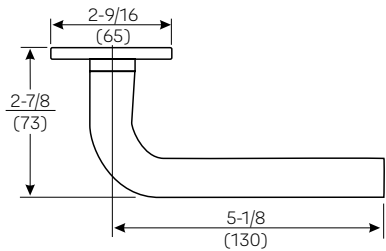
Standard Rose

Pinehurst - PNR

PN Lever Handle: Cast
 CO Rose**: Stamped
 Cylinder Collar: See pages 33-40

Virginia - VIR

VI Lever Handle: Cast
 CO Rose**: Stamped
 Cylinder Collar: See pages 33-40



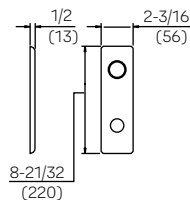
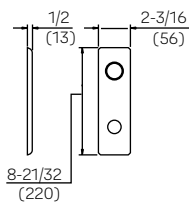
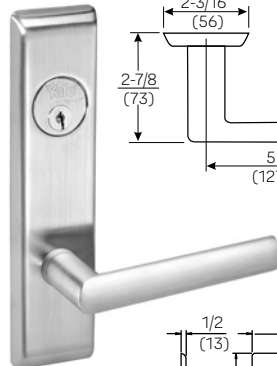
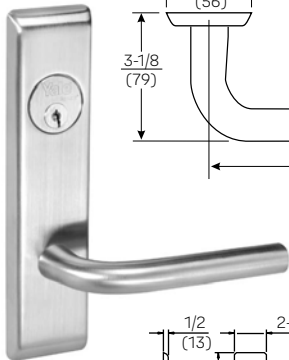
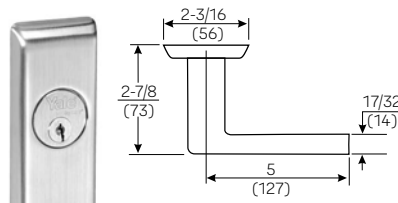
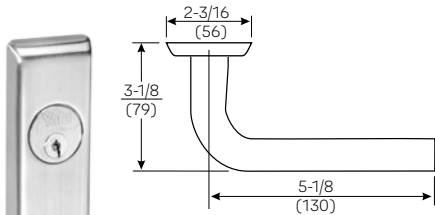
Standard Escutcheon

Pinehurst - PN X CN

PN Lever Handle: Cast
 CN Escutcheon**: Cast
 Cylinder Collar: See pages 33-40

Virginia - VI X CN

VI Lever Handle: Cast
 CN Escutcheon**: Cast
 Cylinder Collar: See pages 33-40



Trim also available for SL Series, specify VISL.

*Indicates levers that are handed.
 **Available with Reflections® rose or escutcheon. See page 12 for options.



Designer Trim

Hampton - HA

HA Lever Handle: Cast
E3 or E4 Escutcheon: Cast

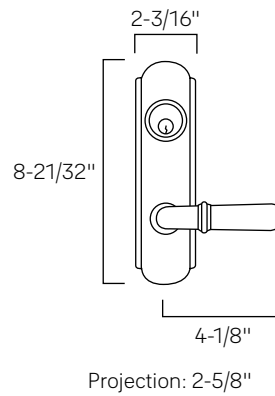
HA Lever Handle: Cast
R3, R4, R5, R6, R7 or R8 Rose: Cast



E3



R5



Escutcheons, Roses and Parts



E3

E4



R3

R5



Emergency Release



Thumbturn
1-1/2" x 1"
Projection

Designer trims are available in only the following finishes: 605, 606, 619, 625, 626. When ordering, include the design symbol (i.e. HA) and specific rose or escutcheon symbol (R3-R8, E3 or E4. See page 12 for more information.). An example of a complete symbol, including lever design, would be HAE3. Escutcheon E3 and Rose R5 are shown with above lever designs. Levers are also available for use with standard CO rose and/or CN escutcheon as shown on pages 7-9.

Reflections® Decorative Trim



Yale® 8800RL Mortise Locks are available with Reflections lever trim, a comprehensive line of highly stylized lever handles. Reflections lever handles are made from solid brass or stainless steel and can withstand years of abuse. Available in an array of finishes, these levers complement any wood grain or other door exterior. Each lever is hand-polished and specially designed for ergonomics and style.

Hudson	Spree	Seine	Thames	Victoria	Niagara
TB 	RS 	TE 	TM 	TT* 	CH* 
UB 	RT 	TG* 	TN 	TU* 	DW 
TC 	RU 	TI 	TP 	TV* 	MA* 
TD 	RV 	TJ* 	TR 	TW* 	RA* 
UC 		TK* 	TS 	UW* 	RB* 
		TO* 	TQ 	TX* 	RC* 
				UX* 	
				TY* 	
				TZ* 	

*Indicates levers that are handed.

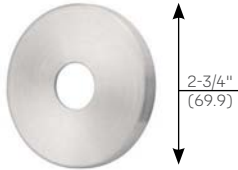
Note: The following Reflections levers are not available in 629 or 630 finish: Victoria TT, TU, TV, TW, TX, TY, UW, UX, TZ; Seine TG, TJ, TK, TO, TE, TI. Please consider the 618 or 619 finish as an alternative. Reflections levers are not available with knurling option.

Reflections® Decorative Trim

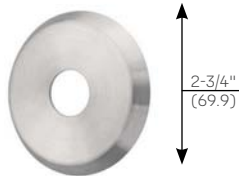


Reflections® Roses

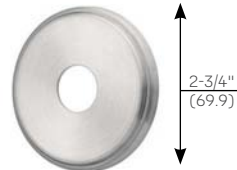
R3



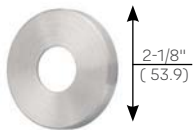
R4



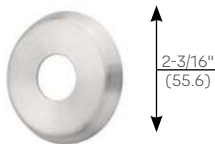
R5



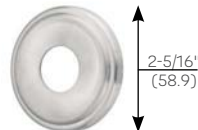
R6



R7



R8



Reflections® Escutcheons

E3



E4



Note: Reflections levers are also available for use with CO rose and/or CN escutcheon as shown on pages 7-9.

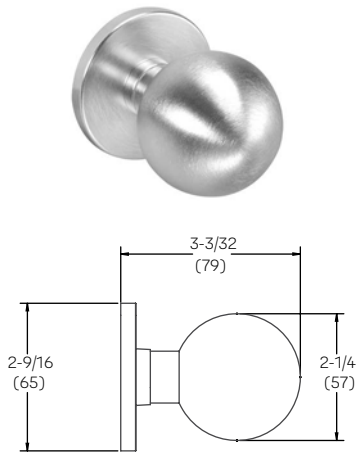


Knob Trim

Standard Rose

Copenhagen - COR

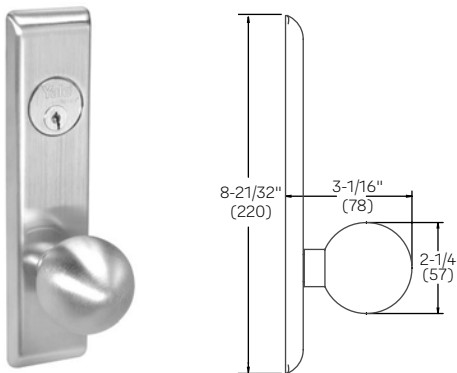
CO Knob: Cast
CO Rose¹: Stamped
Cylinder Collar: See pages 33-40



Standard Escutcheon

Copenhagen - CO X CN

CO Knob: Cast
CN Escutcheon¹: Cast
Cylinder Collar: See pages 33-40



1. Available with Reflections® rose or escutcheon. See page 12 for options.

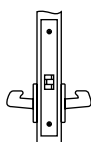
Mechanical Functions



8801 Passage Or Closet Latch (F01)

- For doors that do not require locking
- Latchbolt retracted by knob/lever either side at all times

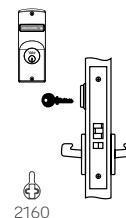
Trim	Model Numbers		Latchbolt Throw
	Knobs	Levers	
Standard	8801K	8801FL	3/4"
SL	—	SL8801FL	3/4"
Reflections*	—	8801RL	3/4"



8808 Classroom Lock (F05)

- For classroom, office, or utility room doors
- Latchbolt retracted by knob/lever either side, except when outside knob/lever is locked by key
- Inside knob/lever always active
- Latchbolt can be retracted by key when outside knob/lever is locked
- Operating inside knob/lever retracts latchbolt, but outside knob/lever remains locked
- Deadlocking latchbolt

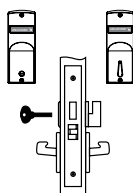
Trim	Model Numbers		Latchbolt Throw
	Knobs	Levers	
Standard	8808K	8808FL	3/4"
SL	—	SL8808FL	3/4"
Reflections*	—	8808RL	3/4"



8802 Privacy, Bedroom Or Bath Lock (F19)

- Latchbolt retracted by knob/lever either side
- Deadbolt operated by thumbturn inside
- When the deadbolt is projected, outside knob/lever is automatically locked
- Anti-panic operation. Operating inside knob/lever retracts the latchbolt and deadbolt simultaneously, automatically unlocking outside knob/lever.
- In emergency, deadbolt may be unlocked from outside by E203 emergency key, supplied

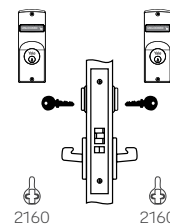
Trim	Model Numbers		Throw	
	Knobs	Levers	Latchbolt	Deadbolt
Standard	8802K	8802FL	3/4"	1"
SL	—	SL8802FL	3/4"	1"
Reflections*	—	8802RL	3/4"	1"



8808-2 Intruder Latchbolt Lock (F32)

- Latchbolt retracted by knob/lever either side unless outside knob/lever is locked by key
- Either cylinder locks or unlocks outside knob/lever
- Latchbolt can be retracted by key when outside knob/lever is locked
- Operating inside knob/lever retracts latchbolt, but outside knob/lever remains locked
- Deadlocking latchbolt

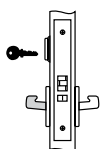
Trim	Model Numbers		Latchbolt Throw
	Knobs	Levers	
Standard	8808-2K	8808-2FL	3/4"
SL	—	SL8808-2FL	3/4"
Reflections*	—	8808-2RL	3/4"



8805 Storeroom Or Closet Lock (F07)

- For use on storeroom, utility, exit doors
- Latchbolt retracted by key outside, knob/lever inside
- Outside knob/lever rigid at all times
- Inside knob/lever always active
- Deadlocking latchbolt

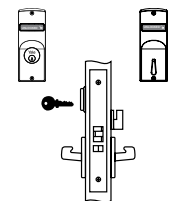
Trim	Model Numbers		Latchbolt Throw
	Knobs	Levers	
Standard	8805K	8805FL	3/4"
SL	—	SL8805FL	3/4"
Reflections*	—	8805RL	3/4"



8809 Classroom Or Office Lock

- Latchbolt retracted by knob/lever either side unless outside knob/lever is locked by key outside or thumbturn inside
- Latchbolt retracted by thumbturn inside or key outside
- Inside knob/lever always active
- Deadlocking latchbolt

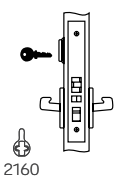
Trim	Model Numbers		Latchbolt Throw
	Knobs	Levers	
Standard	8809K	8809FL	3/4"
SL	—	SL8809FL	3/4"
Reflections*	—	8809RL	3/4"



8807 Entry Lock (F04)

- For office doors where locking is required
- Latchbolt retracted by knob/lever either side, except when outside knob/lever is locked by stopwork activator
- When outside knob/lever is locked, latchbolt is operated by key outside and knob/lever inside
- Deadlocking latchbolt

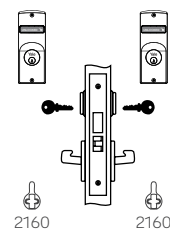
Trim	Model Numbers		Latchbolt Throw
	Knobs	Levers	
Standard	8807K	8807FL	3/4"
SL	—	SL8807FL	3/4"
Reflections*	—	8807RL	3/4"





8811-2 Intruder Deadbolt Lock (F33)

- Latchbolt retracted by knob/lever either side unless outside knob/lever is locked by key
- Deadbolt operated by key either side
- When deadbolt is projected, outside knob/lever is automatically locked
- Key retraction of deadbolt unlocks outside knob/lever
- Anti-panic operation. Operating inside knob/lever retracts the latchbolt and deadbolt simultaneously, automatically unlocking outside knob/lever.

Trim	Model Numbers		Throw	
	Knobs	Levers	Latchbolt	Deadbolt
Standard	8811-2K	8811-2FL	3/4"	1"
SL	—	SL8811-2FL	3/4"	1"
Reflections*	—	8811-2RL	3/4"	1"



 Indicator options available for both sectional and escutcheon trim.

 Cylinder cam required.

 Indicates rigid knob/lever.

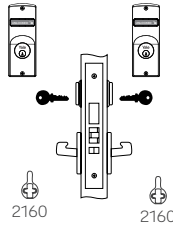


Mechanical Functions

8812-2 Intruder Deadbolt Lock (F34)

- Latchbolt retracted by knob/lever either side unless outside knob/lever is locked by key
- Deadbolt operated by key either side
- When deadbolt is projected, outside knob/lever is automatically locked
- Key retraction of deadbolt unlocks outside knob/lever
- Anti-panic operation. Operating inside knob/lever retracts the latchbolt and deadbolt simultaneously, automatically unlocking outside knob/lever.
- Deadlocking latchbolt

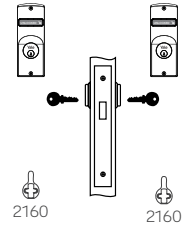
Trim	Model Numbers		Throw	
	Knobs	Levers	Latchbolt	Deadbolt
Standard	8812-2K	8812-2FL	3/4"	1"
SL	—	SL8812-2FL	3/4"	1"
Reflections*	—	8812-2RL	3/4"	1"



8814-2 Deadlock (F16)

- Deadbolt operated by key either side
 - NOT UL listed
- Note: Use only on rooms with more than one exit
Indicators available for sectional trim only

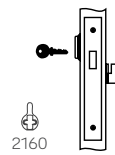
Model Number	Deadbolt Throw
8814-2	1"



8813ST Classroom Deadlock (F29)

- Deadbolt operated by key outside, thumbturn inside
- Thumbturn inside will retract the deadbolt but will not project it
- NOT UL listed

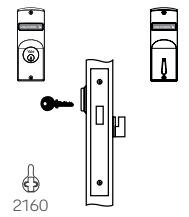
Model Number	Deadbolt Throw
8813ST	1"



8815 Deadlock (F17)

- Deadbolt operated by key outside, thumbturn inside
 - NOT UL listed
- Note: Indicators available for sectional trim only

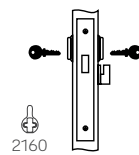
Model Number	Deadbolt Throw
8815	1"



8813ST-2 Classroom Deadlock

- Deadbolt operated by key either side
- Thumbturn inside will retract the deadbolt but will not project it
- NOT UL listed

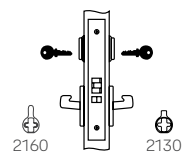
Model Number	Deadbolt Throw
8813ST-2	1"



8817-2 Apartment, Exit Or Public Toilet Lock (F09)

- Latchbolt retracted by knob/lever either side, except when outside knob/lever is locked by key inside
- When outside knob/lever is locked, latchbolt is operated by key outside and knob/lever inside
- Deadlocking latchbolt

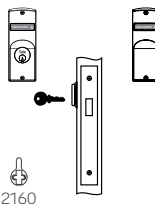
Trim	Model Numbers		Latchbolt Throw
	Knobs	Levers	
Standard	8817-2K	8817-2FL	3/4"
SL	—	SL8817-2FL	3/4"
Reflections*	—	8817-2RL	3/4"



8814 Deadlock (F18)

- Deadbolt operated by key outside only
 - No inside operation
 - NOT UL listed
- Note: Indicators available for sectional trim only

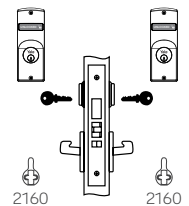
Model Number	Deadbolt Throw
8814	1"



8818-2 Classroom Security Intruder Lock

- Latchbolt retracted by knob/lever unless outside knob/lever is locked by key
 - Deadbolt operated by key either side
 - When deadbolt is projected, outside knob/lever is automatically locked
 - Key retraction of latchbolt by either side unlocks outside knob/lever
 - Anti-panic operation. Operating inside knob/lever retracts the latchbolt and deadbolt simultaneously, **with outside knob/lever remaining locked.**
 - Deadlocking latchbolt
- Note: Indicator shows deadbolt position only

Trim	Model Numbers		Throw	
	Knobs	Levers	Latchbolt	Deadbolt
Standard	8818-2K	8818-2FL	3/4"	1"
SL	—	SL8818-2FL	3/4"	1"
Reflections*	—	8818-2RL	3/4"	1"



Indicator options available for both sectional and escutcheon trim.

Cylinder cam required.
 Indicates rigid knob/lever.

Mechanical Functions



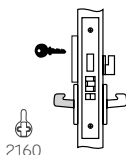
8820 Hotel Guest Lock (F15)

- Latchbolt retracted by key outside, knob/lever inside
- Latchbolt retracted by master keys and change keys only when deadbolt is NOT projected
- Deadbolt operated by emergency/shut-out or display key outside and thumbturn inside
- When deadbolt is projected, the indicator shows red with a locked padlock icon (indicating room is occupied). Access from outside can be gained only with an emergency/shut-out or display key.
- Outside knob/lever rigid at all times
- Anti-panic operation. Operating inside knob/lever retracts the latchbolt and deadbolt simultaneously
- Deadlocking latchbolt
- **Master key system must be 7-pin**

Note: CIND indicator provided standard. V series indicators must be specified by option code. Indicator shows deadbolt position only.



Trim	Model Numbers		Latchbolt Throw
	Knobs	Levers	
Standard	8820K	8820FL	3/4"
SL	—	SL8820FL	3/4"
Reflections*	—	8820RL	3/4"



2160

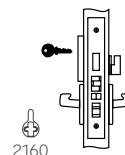
8827 Hotel/Motel Lock

- Latchbolt retracted by knob/lever either side, except when outside knob/lever is independently locked by stopwork activator or automatically locked when the deadbolt is projected
- Latchbolt retracted by master keys and change keys only when deadbolt is NOT projected
- Deadbolt operated by emergency/shut-out or display key outside and thumbturn inside
- When deadbolt is projected, the indicator shows red with a locked padlock icon (indicating room is occupied). Access from outside can be gained only with an emergency/shut-out or display key.
- Anti-panic operation. Operating inside knob/lever automatically retracts latchbolt and deadbolt with outside knob/lever remaining locked.
- Deadlocking latchbolt
- **Master key system must be 7-pin**
- Function only available with CO, R6, R7, R8 roses or CN escutcheon

Note: CIND indicator provided standard. V series indicators must be specified by option code. Indicator shows deadbolt position only.



Trim	Model Numbers		Throw	
	Knobs	Levers	Latchbolt	Deadbolt
Standard	8827K	8827FL	3/4"	1"
SL	—	SL8827FL	3/4"	1"
Reflections*	—	8827RL	3/4"	1"



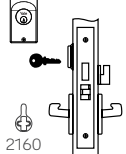
2160

8822 Dormitory Or Exit Lock (F13)

- Latchbolt retracted by knob/lever either side
- Deadbolt operated by key outside and thumbturn inside
- When the deadbolt is projected, outside knob/lever is automatically locked
- Anti-panic operation. Operating inside knob/lever retracts the latchbolt and deadbolt simultaneously, automatically unlocking outside knob/lever.



Trim	Model Numbers		Throw	
	Knobs	Levers	Latchbolt	Deadbolt
Standard	8822K	8822FL	3/4"	1"
SL	—	SL8822FL	3/4"	1"
Reflections*	—	8822RL	3/4"	1"

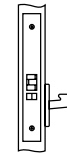


2160

8828 Exit Or Communicating Lock (F31)

- For twin communicating or exit doors where one-sided operation is required
- Latchbolt retracted by knob/lever inside at all times
- No outside operations
- Deadlocking latchbolt

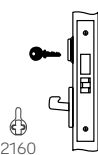
Trim	Model Numbers		Latchbolt Throw
	Knobs	Levers	
Standard	8828K	8828FL	3/4"
SL	—	SL8828FL	3/4"
Reflections*	—	8828RL	3/4"



8823 Storeroom Lock

- Latchbolt retracted by knob/lever outside
- Deadbolt operated by key outside
- When deadbolt is projected, outside knob/lever is automatically locked
- No inside knob/lever or cylinder

Trim	Model Numbers		Throw	
	Knobs	Levers	Latchbolt	Deadbolt
Standard	8823K	8823FL	3/4"	1"
SL	—	SL8823FL	3/4"	1"
Reflections*	—	8823RL	3/4"	1"

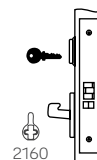


2160

8829 Closet Lock

- Latchbolt retracted by knob/lever outside
- Outside cylinder locks or unlocks outside knob/lever
- No inside knob/lever or cylinder
- Deadlocking latchbolt

Trim	Model Numbers		Latchbolt Throw
	Knobs	Levers	
Standard	8829K	8829FL	3/4"
SL	—	SL8829FL	3/4"
Reflections*	—	8829RL	3/4"

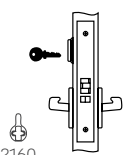


2160

8824 Holdback Lock (F06)

- For classroom, office, or utility room doors
- Latchbolt retracted by knob/lever either side, except when outside knob/lever is locked by key outside
- Latchbolt can be held in retracted position by outside cylinder
- Inside knob/lever always active
- Deadlocking latchbolt
- NOT UL listed

Trim	Model Numbers		Latchbolt Throw
	Knobs	Levers	
Standard	8824K	8824FL	3/4"
SL	—	SL8824FL	3/4"
Reflections*	—	8824RL	3/4"

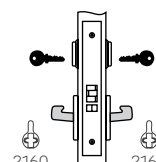


2160

8830-2 Asylum Or Institutional Lock (F30)

- Latchbolt retracted by key both sides
- Rigid knob/lever both sides for use as pulls only
- Deadlocking latchbolt

Trim	Model Numbers		Latchbolt Throw
	Knobs	Levers	
Standard	8830-2K	8830-2FL	3/4"
SL	—	SL8830-2FL	3/4"
Reflections*	—	8830-2RL	3/4"



2160

Indicator options available for both sectional and escutcheon trim.

Cylinder cam required.

Indicates rigid knob/lever.

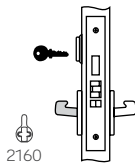


Mechanical Functions

8831 Detention Lock

- Latchbolt retracted by key outside, knob/lever inside
- Latchbolt retracted by master keys and change keys only when deadbolt is NOT projected
- Deadbolt operated by emergency (guards) key only outside
- Inside knob/lever only opens door when deadbolt is in retracted position
- Outside knob/lever rigid at all times
- Deadlocking latchbolt
- Trim mounted with fasteners outside
- Furnished standard with TORX® security screws
- **Master key system must be 7-pin**

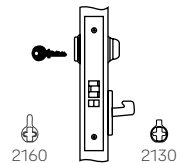
Trim	Model Numbers		Throw	
	Knobs	Levers	Latchbolt	Deadbolt
Standard	8831K	—	3/4"	1"
SL	—	SL8831FL	3/4"	1"



8834 All Purpose Lock

- Latchbolt retracted by key outside, knob/lever inside
- No knob/lever outside
- Latchbolt can be held in retracted position by inside thumbturn cylinder
- Deadlocking latchbolt
- NOT UL listed

Trim	Model Numbers		Latchbolt Throw
	Knobs	Levers	
Standard	8834K	8834FL	3/4"
Reflections*	—	8834RL	3/4"

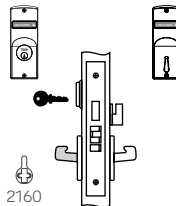


8832 Hotel/Motel Lock

- Latchbolt retracted by key outside, knob/lever inside
- Latchbolt retracted by master keys and change keys only when deadbolt is NOT projected
- Deadbolt operated by emergency/shut-out or display key only outside and thumbturn inside
- Outside knob/lever rigid at all times
- Anti-panic operation. Operating inside knob/lever retracts the latchbolt and deadbolt simultaneously.
- Deadlocking latchbolt
- **Master key system must be 7-pin**

Note: Indicator shows deadbolt position only

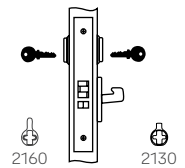
Trim	Model Numbers		Throw	
	Knobs	Levers	Latchbolt	Deadbolt
Standard	8832K	8832FL	3/4"	1"
SL	—	SL8832FL	3/4"	1"
Reflections*	—	8832RL	3/4"	1"



8834-2 All Purpose Lock

- For classroom, office, or utility room doors
- Latchbolt retracted by key outside, knob/lever inside
- No knob/lever outside
- Latchbolt can be held in retracted position by inside cylinder
- Deadlocking latchbolt
- NOT UL listed

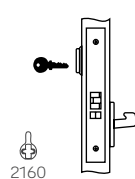
Trim	Model Numbers		Latchbolt Throw
	Knobs	Levers	
Standard	8834-2K	8834-2FL	3/4"
Reflections*	—	8834-2RL	3/4"



8833 Exit Lock

- Latchbolt retracted by key outside, knob/lever inside
- No knob/lever outside
- Deadlocking latchbolt

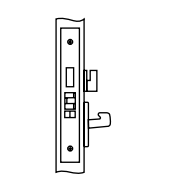
Trim	Model Numbers		Latchbolt Throw
	Knobs	Levers	
Standard	8833K	8833FL	3/4"
SL	—	SL8833FL	3/4"
Reflections*	—	8833RL	3/4"



8835 Exit Lock

- Latchbolt retracted by knob/lever inside
- Deadbolt operated by thumbturn inside
- No outside operations
- Anti-panic operation. Operating inside knob/lever retracts the latchbolt and deadbolt simultaneously.
- Deadlocking latchbolt

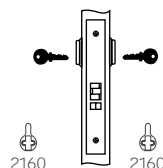
Trim	Model Numbers		Throw	
	Knobs	Levers	Latchbolt	Deadbolt
Standard	8835K	8835FL	3/4"	1"
SL	—	SL8835FL	3/4"	1"
Reflections*	—	8835RL	3/4"	1"



8833-2 All-Purpose Lock

- Latchbolt retracted by key both sides
- No knob/lever either side
- Deadlocking latchbolt

Model Number	Latchbolt Throw
8833-2	3/4"

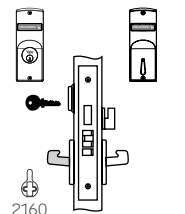


8840 Storeroom Deadbolt

- Latchbolt retracted by key outside, knob/lever inside
- Deadbolt operated by key outside and thumbturn inside
- Outside knob/lever rigid at all times
- Anti-panic operation. Operating inside knob/lever retracts the latchbolt and deadbolt simultaneously.
- Deadlocking latchbolt

Note: Indicator shows deadbolt position only

Trim	Model Numbers		Throw	
	Knobs	Levers	Latchbolt	Deadbolt
Standard	8840K	8840FL	3/4"	1"
SL	—	SL8840FL	3/4"	1"
Reflections*	—	8840RL	3/4"	1"



Indicator options available for both sectional and escutcheon trim.

Cylinder cam required.
 Indicates rigid knob/lever.

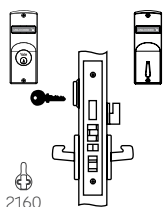


8847 Apartment Corridor Door Lock (F20)

- Latchbolt retracted by knob/lever either side, except when outside knob/lever is locked by stopwork activator
- Deadbolt operated by key outside, thumbturn inside
- When outside knob/lever is locked, latchbolt and deadbolt are operated by key outside
- When deadbolt is projected, outside knob/lever is automatically locked
- Anti-panic operation. Operating inside knob/lever automatically retracts latchbolt and deadbolt with outside knob/lever remaining locked.
- Deadlocking latchbolt

Note: Indicator shows deadbolt position only

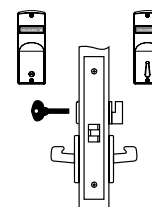
Trim	Model Numbers		Throw	
	Knobs	Levers	Latchbolt	Deadbolt
Standard	8847K	8847FL	3/4"	1"
SL	—	SL8847FL	3/4"	1"
Reflections*	—	8847RL	3/4"	1"



8862 Privacy, Bedroom Or Bath Lock (F22)

- Latchbolt retracted by knob/lever either side except when outside knob/lever is locked by thumbturn
- Operating inside knob/lever retracts the latchbolt, automatically unlocking outside knob/lever
- Outside emergency release unlocks outside knob/lever. E203 emergency key supplied
- Automatically unlocks when door latches

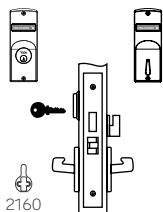
Trim	Model Numbers		Latchbolt Throw
	Knobs	Levers	
Standard	8862K	8862FL	3/4"
SL	—	SL8862FL	3/4"
Reflections*	—	8862RL	3/4"



8860 Room Door Lock (F21)

- Latchbolt retracted by knob/lever either side
- Deadbolt operated by key outside, thumbturn inside

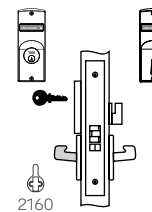
Trim	Model Numbers		Throw	
	Knobs	Levers	Latchbolt	Deadbolt
Standard	8860K	8860FL	3/4"	1"
SL	—	SL8860FL	3/4"	1"
Reflections*	—	8860RL	3/4"	1"



8864 Bathroom Lock With Indicator

- Latchbolt retracted by key outside, knob/lever inside
 - Indicator operated by thumbturn inside, key outside
 - When indicator shows red with a locked padlock icon, key outside will operate indicator and retract latchbolt
 - Outside knob/lever rigid at all times
 - Inside knob/lever always active
 - Deadlocking latchbolt
 - Function only available with C0, R6, R7, R8 roses or CN escutcheon
- Note: CIND indicator provided standard. V series indicators must be specified by option code.

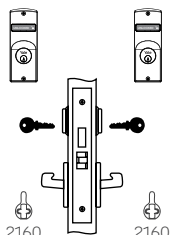
Trim	Model Numbers		Latchbolt Throw
	Knobs	Levers	
Standard	8864K	8864FL	3/4"
Reflections*	—	8864RL	3/4"



8860-2 Store Door Lock (F14)

- Latchbolt retracted by knob/lever either side
- Deadbolt operated by key both sides

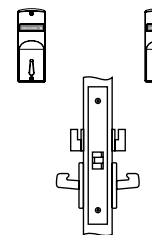
Trim	Model Numbers		Throw	
	Knobs	Levers	Latchbolt	Deadbolt
Standard	8860-2K	8860-2FL	3/4"	1"
SL	—	SL8860-2FL	3/4"	1"
Reflections*	—	8860-2RL	3/4"	1"



8865 Bathroom Lock

- Latchbolt retracted by knob/lever either side except when outside knob/lever is locked by thumbturn either side
- Outside thumbturn unlocks outside knob/lever
- Automatically unlocks when door latches
- Operating inside knob/lever retracts the latchbolt, automatically unlocking outside knob/lever

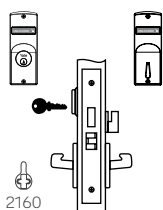
Trim	Model Numbers		Latchbolt Throw
	Knobs	Levers	
Standard	8865K	8865FL	3/4"
SL	—	SL8865FL	3/4"
Reflections*	—	8865RL	3/4"



8861 Dormitory Or Storeroom Lock

- Latchbolt retracted by knob/lever either side
- Deadbolt operated by key outside, thumbturn inside
- When deadbolt is projected, outside knob/lever is automatically locked
- When deadbolt is retracted, outside knob/lever is automatically unlocked

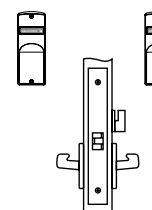
Trim	Model Numbers		Throw	
	Knobs	Levers	Latchbolt	Deadbolt
Standard	8861K	8861FL	3/4"	1"
SL	—	SL8861FL	3/4"	1"
Reflections*	—	8861RL	3/4"	1"



8866 Passage Lock With Indicator

- For doors with indicator that do not require locking
 - Latchbolt retracted by knob/lever either side at all times
 - Throwing thumbturn on inside changes state of status indicator
 - Rotating either knob/lever returns indicator to previous state
- Note: Only available with "V" series indicators. Indicator option code must be specified with this function

Trim	Model Numbers		Latchbolt Throw
	Knobs	Levers	
Standard	8866K	8866FL	3/4"
Reflections*	—	8866RL	3/4"



Indicator options available for both sectional and escutcheon trim.

Cylinder cam required.

Indicates rigid knob/lever.



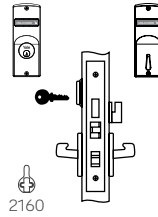
Mechanical Functions

8867 Dormitory Or Exit Lock (F12)

- Latchbolt retracted by knob/lever either side, except when outside knob/lever is locked by stopwork activator or automatically locked when deadbolt is projected
- Deadbolt operated by key outside, thumbturn inside
- When outside knob/lever is locked, operating key outside retracts both latchbolt and deadbolt
- Anti-panic operation. Operating inside knob/lever retracts the latchbolt and deadbolt simultaneously, with outside knob/lever remaining locked.

Note: Indicator shows deadbolt position only

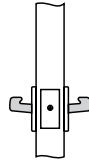
Trim	Model Numbers		Throw	
	Knobs	Levers	Latchbolt	Deadbolt
Standard	8867K	8867FL	3/4"	1"
SL	—	SL8867FL	3/4"	1"
Reflections*	—	8867RL	3/4"	1"



836A/838A Dummy Trim Both Sides

- Push and pull only
- Knob/lever both sides
- Both knob/lever non-operational and rigid at all times
- Plain rectangular front used with spindle-bar stabilizer
- Available in all sectional and escutcheon trim

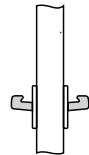
Model Numbers	
Knobs	Levers
836A prefixed by design symbol (i.e. COR836A, CO x CN836A)	838AFL prefixed by design symbol (i.e. JNR838AFL, JN x CN838AFL)



836B/838B Dummy Trim Both Sides

- Push or pull only
- Knob/lever both sides of inactive leaf of a pair of doors
- Both knob/lever non-operational and rigid at all times
- Available in all sectional and escutcheon trim
- 2815 Strike available upon request

Model Numbers	
Knobs	Levers
836B prefixed by design symbol (i.e. COR836B, CO x CN836B)	838BFL prefixed by design symbol (i.e. JNR838BFL, JN x CN838BFL)



855 Dummy Trim One Side

- Push or pull only
- Knob/lever one side
- Knob/lever non-operational and rigid at all times
- Available in all sectional and escutcheon trim
- Rose trim available with CO, R3, R4, R5 roses only.

Model Numbers	
Knobs	Levers
855 prefixed by design symbol (i.e. COR855)	855FL prefixed by design symbol (i.e. CR x CN855FL)



Active Dummy Trim

- Knob/lever both sides
 - Push or pull only
 - Primarily for lever handle trim
 - Knob/lever active to prevent damage
- 8871DT – Armor front acts as strike for latchbolt only functions
8872DT – Armor front acts as strike for latchbolt x deadbolt functions

Model Numbers			Outside Inside
Knobs	Levers	Reflections*	
8870DT	8870FLDT	8870RLDT	
8871DT	8871FLDT	8871RLDT	
8872DT	8872FLDT	8872RLDT	

Handing must be specified when ordering



Indicator options available for both sectional and escutcheon trim.



Cylinder cam required.



Indicates rigid knob/lever.

Indicators



Applications

8800 Series indicators can be used in a variety of applications and are most commonly used to identify occupancy or display the locked/unlocked status of a room.

- Restrooms
- Quiet rooms
- Nursing mother's rooms
- Classroom doors

Features

- Inside, outside or both sides of the door
- Sectional or escutcheon trim
- Available with 24 different functions – including thumbturn functions
- Viewing window 25% larger than competition
- Patented curved design for viewing at multiple angles
- Window located prominently above the cylinder
- Highly reflective viewing window for increased safety
- Optional directional engraving available – must specify handing
- Retrofittable for existing applications



Functions

Indicators are available with the following 8800 Series functions. See pages 14-19 for details.

8802	8827
8808	8832
8808-2	8840
8809	8847
8811-2	8860
8812-2	8860-2
8814	8861
8814-2	8862
8815	8864
8818-2	8865
8820	8866
8822	8867

Indicators



Sectional Trim

- Surface mounted
- Torx security screws provided
- Compatible with all rose designs: CO, R3, R4, R5, R6, R7, R8
- Available with optional directional arrow engraving

To order indicator with complete lock, specify by adding V series indicator option code to order string. See page 23 for indicator codes and page 24 for how to order examples.



Retrofit/Upgrade Kits

Retrofit/upgrade kits only are available for existing applications only. Each kit includes single side indicator plate with mechanism, screw pack, plastic template and instructions.

To order retrofit/upgrade kits only, specify by model number below. Door thickness, handing and indicator option code must also be specified with kit. Retrofit/upgrade kits with directional engraving must include lock handing.

See page 24 for how to order examples. Note: Indicators for both sides of door require two kits.

	Model #	Used with Functions	Available Option Codes	Indicator Location
	YA190	8811-2, 8814, 8814-2, 8815, 8818-2, 8822, 8832, 8840, 8847, 8860, 8860-2, 8861, 8867	Outside Trim: V10, V20, V30, V40, V50, V60 Inside Trim: V01, V03, V04, V06	Inside and/or Outside*
	YA191	8812-2		
	YA192	8808, 8808-2, 8809		
	YA193	8802, 8820, 8827, 8862, 8864	V10, V20, V30, V40, V50, V60	Outside
	YA194	8802, 8820, 8822, 8827, 8832, 8840, 8847, 8860, 8861, 8867	V01, V03, V04, V06	Inside
	YA196	8862, 8864, 8865, 8866		
	YA198	8809		
	YA197	8866	Outside Trim: V10, V20, V30, V40, V50, V60 Inside Trim: V01, V03, V04, V06	Inside, Outside

*When indicators are required on both sides of the door, 2 upgrade kits must be ordered, one kit for each side.

Indicators



Escutcheon Trim

- Unique escutcheon (VN) for both inside and outside of door for indicator functions
- Non-indicator functions provide with standard escutcheons as ordered, i.e. E3, E4, CN, SL
- Through-bolted
- Torx security screws optional
- Available with optional directional arrow engraving

Specify option code when ordered with lock. See page 23 for indicator option codes and page 24 for how to order examples.



Escutcheon Trim Upgrade Kit Only

Complete trim kits are available to retrofit/upgrade existing applications.

Trim kit includes levers and escutcheons with mechanism for both sides of door, screw pack, door marker and instructions.

To order trim kit only, specify by adding TP prefix to function required with trim, hand, finish and indicator option code.

Prefix	Functions
TP	All functions*

*Escutcheon indicator trim kits available for all functions as listed on page 20 except 8814, 8814-2, 8815.

Note: Escutcheon applications require both sides of the door to have the unique VN escutcheon. Kits will be provided as a set.

How to Order Example (Escutcheon Kit Only)

Lever	Escutcheon	Function	Hand	Finish	Options
AU	VN	TP8802*	RH	626	V21 x EMB

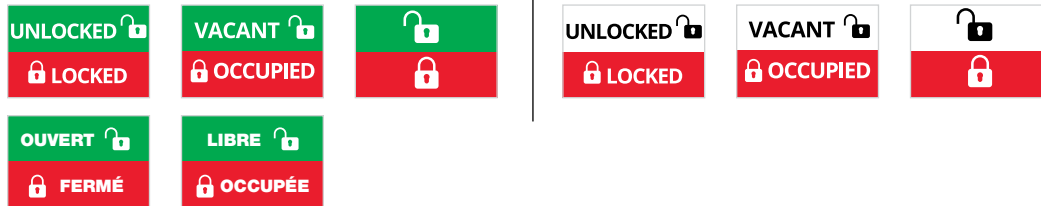
* The function of the existing lock is required so the proper escutcheons can be provided.

Privacy Bedroom/Bath function x escutcheon trim x double indicator - Vacant/Occupied – Green/Red (Outside) Unlocked/Locked – Green/Red (Inside) x inside engraving with "Lock" and directional arrow



Indicator Option Codes

8800 Series indicator option codes are designed to convey wording, color and side of door desired in one simple code. To order, specify option code for complete locksets and/or retrofit/upgrade trim kits.



Single Indicator			
Option Code	Outside Wording	Inside Wording	Color
V10	Unlocked/Locked	No Indicator	Green/Red
V10F	Ouvert/Fermé	No Indicator	Green/Red
V20	Vacant/Occupied	No Indicator	Green/Red
V20F	Libre/Occupée	No Indicator	Green/Red
V30	Icons Only	No Indicator	Green/Red
V40	Unlocked/Locked	No Indicator	White/Red
V50	Vacant/Occupied	No Indicator	White/Red
V60	Icons Only	No Indicator	White/Red
V01	No Indicator	Unlocked/Locked	Green/Red
V01F	No Indicator	Ouvert/Fermé	Green/Red
V03	No Indicator	Icons Only	Green/Red
V04	No Indicator	Unlocked/Locked	White/Red
V06	No Indicator	Icons Only	White/Red
Double Indicator			
Option Code	Outside Wording	Inside Wording	Color
V11	Unlocked/Locked	Unlocked/Locked	Green/Red
V11F	Ouvert/Fermé	Ouvert/Fermé	Green/Red
V21	Vacant/Occupied	Unlocked/Locked	Green/Red
V21F	Libre/Occupée	Ouvert/Fermé	Green/Red
V33	Icons Only	Icons Only	Green/Red
V44	Unlocked/Locked	Unlocked/Locked	White/Red
V54	Vacant/Occupied	Unlocked/Locked	White/Red
V66	Icons Only	Icons Only	White/Red
Engraving			
Option Code	Outside	Inside	Wording
EMA	Engraving	No Engraving	"Lock" with arrow
EMB	No Engraving	Engraving	"Lock" with arrow
EMC	Engraving	Engraving	"Lock" with arrow



Engraving Options

- Laser engraving with "LOCK" and directional arrow
- Only available in the following finishes: 605, 606, 618, 619, 625, 626, 629*, 630*
- Available with MicroShield®
- Door handing must be specified

Option Code	Description
EMA	Engraving located on outside of door
EMB	Engraving located on inside of door
EMC	Engraving located on inside and outside of door

Note: Engraving is available as an option for all functions when ordered with an indicator. Option codes must be specified with complete lock and/or retrofit (upgrade) kits/trim.

*Indicator escutcheon is nickel plated to match Stainless Steel



How to Order Examples

Complete with Lock

Sectional Trim

Trim	Function	Hand	Finish	Options
AUR	8818-2FL	RH	626	V01

Classroom Security Intruder Latchbolt function x sectional trim x single indicator inside – Unlocked/Locked – Green/Red

Escutcheon Trim

Lever	Escutcheon	Function	Hand	Finish	Options
AU	VN	8802FL	RH	626	V21 x EMB

Privacy Bedroom/Bath function x escutcheon trim x double indicator - Vacant/Occupied – Green/Red (Outside) Unlocked/Locked – Green/Red (Inside) x inside engraving with "Lock" and directional arrow

Retrofit (Upgrade)/Trim Kit Only

Sectional Trim*

Model #	Door Thickness	Hand	Finish	Option
YA190	1-3/4"	RH	626	V04

Keyed function indicator for sectional trim x single indicator inside – Unlocked/Locked – Red/White

* When indicators are required on both sides of the door, 2 upgrade kits must be ordered, one kit for each side.

Escutcheon Trim

Lever	Escutcheon	Function	Hand	Finish	Options
AU	VN	TP8802**	RH	626	V21 x EMB

Privacy Bedroom/Bath function x escutcheon trim x double indicator - Vacant/Occupied – Green/Red (Outside) Unlocked/Locked – Green/Red (Inside) x inside engraving with "Lock" and directional arrow

** The function of the existing lock is required so the proper escutcheons can be provided.



Indicators - IND/CIND Option

Indicator options IND and CIND are provided with a padlock icon on a green or red background.

Trim Availability

	IND	CIND
Levers/Knobs	All	All
Roses	CO, R3, R4, R5, R6, R7, R8	CO, R6, R7, R8
Escutcheons	CN	CN



Functions

Indicators are available on the outside of the door for the following functions:

	8802	8818-2*	8820	8822	8827	8832	8862	8864
IND	Optional						Optional	
CIND		Optional	Standard	Optional	Standard	Optional		Standard

*Specify mounting side.

How To Order

When ordering with lock, specify the complete lock ordering string and include option code based on function.

Trim	Function	Hand	Finish	Option
AUR	8802FL	RH	626	IND
AUCN	8822FL	RH	626	CIND

When ordering for upgrade to existing lockset, specify kit number x finish.

Trim	Type	Kit
Sectional	Privacy	IND-K x Finish
Sectional	Cylinder	CIND-K x Finish
Escutcheon	Privacy	CN88 x 261 x Finish
Escutcheon	Cylinder	CN88 x 260 x Finish
Escutcheon	Cylinder w/cointurn	CN88 x 262 x Finish

Notes:

- IND-K and CIND-K are kits which includes indicator mechanism and mounting hardware. Cylinder not included.
- For escutcheon trim, CN88 is the outside escutcheon only with indicator assembly, does not include levers or cylinder

IND		CIND	
Deadbolt Thrown Locked icon/Red background	Deadbolt Retracted Unlocked icon/Green background	Deadbolt Thrown Locked icon/Red background	Deadbolt Retracted Unlocked icon/Green background

Electrified Mortise Locksets



Applications

Stair tower doors, office doors, classrooms, interlocks, elevator lobby doors, laboratories, computer rooms, cashier stations, hospital equipment rooms and pharmaceutical storage rooms. For narrow frame profiles, consult factory.

Trim Designs

8800 electrified mortise locksets are available with all knob, lever, SL and Reflections® trims.

ANSI/BHMA



Certified ANSI/BHMA A156.13, Series 1000, Operational Grade 1 (8800FL with CN escutcheon & SL8800 meet Security Grade 1).

Electrical Specifications

Fail Safe/Fail Secure
 Voltage: 12VDC or 24VDC Regulated
 Current Draw:
 .25A at 24VDC
 .5A at 12VDC
 Operating Temp.:
 Max. 151°F (66°C)
 Min. -31°F (-35°C)

All monitoring switches rated at:
 2 Amp @ 30 VDC
 3 Amp @ 125 VAC

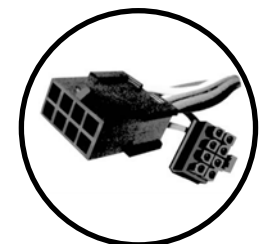
Monitoring Options

Model Number	Description
REX	Request to Exit - An SPDT switch that monitors activation of the free lever (not available with knob trim). REX is available for all mechanical and electrified functions and can be supplied alone or with either LBM or DBM.
LBM	Latchbolt Monitor - An SPDT switch that monitors full retraction of the latchbolt. LBM is available for all electrified functions and can be supplied alone or with REX.
DBM	Deadbolt Monitor - An SPDT switch that monitors full retraction of the deadbolt. DBM is available for all mechanical and electrified functions with a deadbolt and can be supplied alone or with REX.
ITS	Integrated Total Security - Enhanced security reporting allows facility supervisors to tailor decisions with greater certainty. Monitoring includes Request to Exit (REX), Lock Performance Monitoring (LPM), Concealed Door Position Status (DPS) and Cylinder Monitoring (CX). This monitoring option is available with 8890FL/8891FL or 8890RL/8891RL functions only. Locksets ordered with ITS option must be provided with Yale cylinder. Not available less cylinder. Handing must be specified.

ElectroLynx®

Yale® electrified 8800 locks are equipped with ElectroLynx connectors. As a standard feature, these connectors link power from the incoming source to electrified locking products, including hinges, locks, exit devices, magnetic holders and strikes.

Note: Electrified door hardware with ElectroLynx connectors require a compatible number of lead wires attached to the door hinge.





Electrified Mortise Lockset Functions

Fail Safe

The following functions are locked when power is on and unlocked when power is off.

8880

- Power off – outside lever active
- Power on – outside lever locked
- Auxiliary latch deadlocks latchbolt
- Inside lever always free
- No key override

8896

- Power off – outside lever active (even when deadbolt thrown)
- Power on – outside lever locked
- Auxiliary latch deadlocks latchbolt
- Deadbolt projected by key outside, thumbturn inside
- Inside lever always free
- Mechanical key override by outside when locked

8884

- Power off – both levers active
- Power on – both levers locked
- Auxiliary latch deadlocks latchbolt
- No key override

8896-2

- Power off – outside lever active (even when deadbolt thrown)
- Power on – outside lever locked
- Auxiliary latch deadlocks latchbolt
- Deadbolt projected by key both sides
- Inside lever always free
- Mechanical key override by both sides when locked

8890

- Power off – outside lever active
- Power on – outside lever locked
- Auxiliary latch deadlocks latchbolt
- Inside lever always free
- Mechanical key override by outside when locked

8898

- Power off – both levers active (even when deadbolt thrown)
- Power on – both levers locked
- Auxiliary latch deadlocks latchbolt
- Deadbolt projected by key outside, thumbturn inside
- Mechanical key override by outside when locked

8894-2

- Power off – both levers active
- Power on – both levers locked
- Auxiliary latch deadlocks latchbolt
- Mechanical key override by both sides when locked

8898-2

- Power off – both levers active (even when deadbolt thrown)
- Power on – both levers locked
- Auxiliary latch deadlocks latchbolt
- Deadbolt projected by key both sides
- Mechanical key override by both sides when locked

Electrified Mortise Lockset Functions

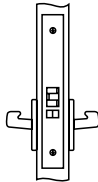


Fail Secure

The following functions are unlocked when the power is on and locked when power is off.

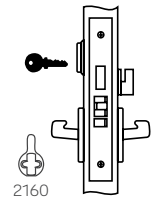
8881

- Power off – outside lever locked
- Power on – outside lever active
- Auxiliary latch deadlocks latchbolt
- Inside lever always free
- No key override



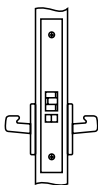
8897

- Power off – outside lever locked
- Power on – outside lever active (even when deadbolt thrown)
- Auxiliary latch deadlocks latchbolt
- Deadbolt projected by key outside, thumbturn inside
- Inside lever always free
- Mechanical key override by outside when locked



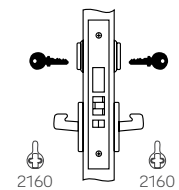
8885

- Power off – both levers locked
- Power on – both levers active
- Auxiliary latch deadlocks latchbolt
- No key override



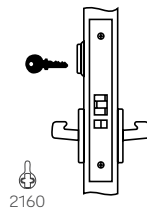
8897-2

- Power off – outside lever locked
- Power on – outside lever active (even when deadbolt thrown)
- Auxiliary latch deadlocks latchbolt
- Deadbolt projected by key both sides
- Inside lever always free
- Mechanical key override by both sides when locked



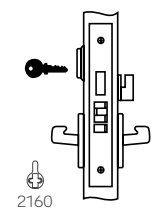
8891

- Power off – outside lever locked
- Power on – outside lever active
- Auxiliary latch deadlocks latchbolt
- Inside lever always free
- Mechanical key override by outside when locked



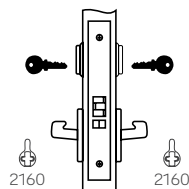
8899

- Power off – both levers locked
- Power on – both levers active (even when deadbolt thrown)
- Auxiliary latch deadlocks latchbolt
- Deadbolt projected by key outside, thumbturn inside
- Mechanical key override by outside when locked



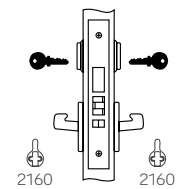
8895-2

- Power off – both levers locked
- Power on – both levers active
- Auxiliary latch deadlocks latchbolt
- Mechanical key override by both sides when locked



8899-2

- Power off – both levers locked
- Power on – both levers active (even when deadbolt thrown)
- Auxiliary latch deadlocks latchbolt
- Deadbolt projected by key both sides
- Mechanical key override by both sides when locked





Electrified Mortise Lockset Accessories

BPS Power Supplies By Securitron®

Operation

Power supplies are designed to provide reliable filtered and regulated power for long life to a variety of electrified hardware components.

Product Features

- Individual output circuit breakers
- Regulated and filtered fuse protected outputs
- LEDs monitor zone status (voltage or no voltage)
- Slide switches connect or disconnect load from power (Not available on 1 Amp supplies)
- Internal Back-Up battery charging circuit
- Rugged steel enclosure
- Fire alarm interface

Listings

- UL CLASS 2

Applications (use with):

- Fail Safe mortise locks
- Fail Secure mortise locks

Ordering

Ex: BPS-24-4, BPS-12-3

Model	Input	Output	Application*
BPS-24-1	120 VAC	1 Amp @ 24 VDC	2-8800
BPS-24-2	120 VAC	2 Amp @ 24 VDC	5-8800
BPS-24-4	120 VAC	4 Amp @ 24 VDC	11-8800
BPS-12-1	120 VAC	1 Amp @ 12 VDC	1-8800
BPS-12-3	120 VAC	3 Amp @ 12 VDC	3-8800

*Preceding number denotes how many locks can be hardwired to each power supply.

Consult factory for additional power supply applications.

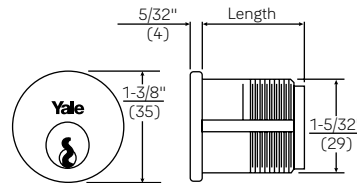
Yale recommends McKinney®, Pemko and Securitron® for power transfer devices and other electronic accessories.



Conventional Mortise Cylinders

Illustration	Cylinder Model Number	Application	Cam	Length	
				6-Pin	7-Pin
	2153	Standard cylinder	2160	1-1/8" 1-1/4" 1-3/8" 1-1/2" 1-5/8" 1-3/4"	1-1/4" 1-3/8" 1-1/2" 1-5/8" 1-3/4"
	2153S	For inside operation of 8817-2 and 8834-2 functions only	2130		
	2123	Cylinder for longer lengths	2160	1-7/8" thru 3-1/2" in 1/8" increments*	
	2123S	For inside operation of 8817-2 and 8834-2 functions only for longer lengths	2130		
	2719	For 8820, 8827, 8831 and 8832 functions	2160	1-3/8"	—

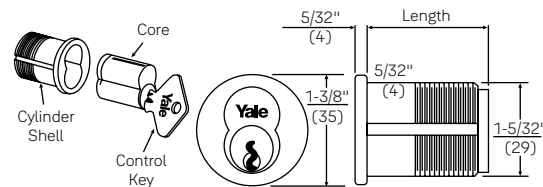
*Contact Technical Product Support for cylinder collar requirements when ordering these cylinders separately. See pages 33-40 for other collar requirements.



Interchangeable Core Mortise Cylinders

Cylinder Model Number	Application	Cam	Length	Pins	Housing Only Model Number	Core Only Model Number
2196	Standard Cylinder	2160	1-1/2", 1-3/4", 2"	6	2221	1210
2197	Standard Cylinder	2160	1-11/16", 2"	7	2213	1220
2196H	For Hotel/Motel Locks 8820, 8827, 8832	2160	1-11/16"	6	2213	1210H
2196S	For inside operations of 8817-2 and 8834-2 functions	2130	1-1/2"	6	2214S	1210
2197S	For inside operations of 8817-2 and 8834-2 functions	2130	1-11/16"	7	2217S	1220

Note: When ordering interchangeable core cylinders or cores only, control keys are not furnished. If control keys are required they must be ordered separately.



Cylinders

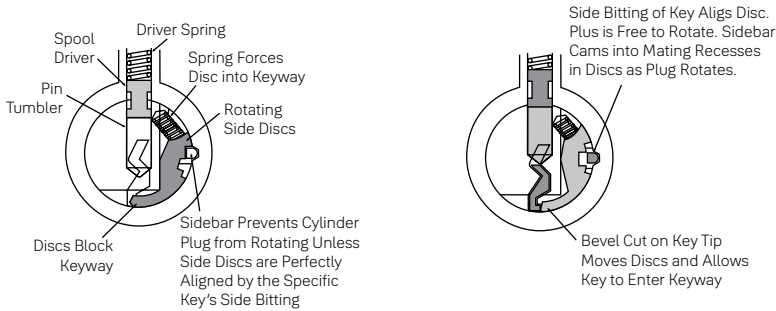


Security Cylinders

Security cylinders contain two independent locking mechanisms. The first is a traditional 6- or 7-pin tumbler mechanism with spool drivers for greatly increased picking resistance.

The second is an innovative 5-tumbler rotating disc mechanism with sidebar engagement. The rotating discs are spring loaded and block the bottom of the keyway.

Illustration



Security/High Security Mortise Cylinders

Model Number	Application	Cam	Length	
			6-pin	7-pin
5153/U5153	Standard Cylinder	2160	1-1/8"	1-1/4"
5153S/U5153S	For inside operations of 8817-2 and 8834-2 functions	2130	1-1/4"	
5719/U5719	For 8820, 8827, 8831 and 8832 functions	2160	1-3/8"	

Security Interchangeable Core Mortise Cylinders

Cylinder Model Number	Application	Cam	Length	Pins	Housing Only Model Number	Core Only Model Number
5196	Standard Cylinder	2160	1-1/2"	6	2221	5210
5197	Standard Cylinder	2160	1-11/16"	7	2213	5220
5196H	For Hotel/Motel Locks 8820, 8827, 8832	2160	1-11/16"	6	2213	5210H
5196S	For inside operations of 8817-2 and 8834-2 functions	2130	1-1/2"	6	2214S	5210
5197S	For inside operations of 8817-2 and 8834-2 functions	2130	1-11/16"	7	2217S	5220

Note: When ordering interchangeable core cylinders or cores only, control keys are not furnished. If control keys are required they must be ordered separately.



Yale® KeyMark®

For those applications requiring protected key control, Yale® KeyMark® cylinders guard against unauthorized key duplication. The Yale KeyMark Security Leg® keyway feature increases resistance against picking and impressioning and can easily retrofit into existing systems. For further details and availability, refer to the separate Yale KeyMark catalog.

Protected Keyway Mortise Cylinders

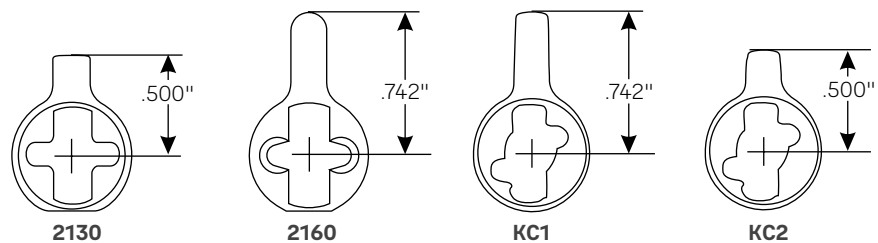
Model Number	Type	Cam	Length	Pins	Housing Only Model Number	Core Only Model Number
K100	Fixed Core Mortise	KC1	1-1/8", 1-1/4" 1-1/2", 1-3/4" 2"	6 or 7	N/A	N/A
K820	Large Format IC Mortise	KC1	1-1/2", 1-3/4" 2"	6	K860	K800
			1-11/16" 2"	7		
K620	Small Format IC Mortise	KC1	1-1/4"	6	K660	K600
			1-3/8", 1-3/4"	6 or 7		
K630	Small Format IC Mortise-Tapered	KC1	1-1/4"	6	K670	K600
			1-3/8"	6 or 7		

Note: KC2 cam required for inside operation of 8817-2 and 8834-2 functions.

Miscellaneous Cylinder

Cams

Model Number	Application	Cam	Length
S2053S	Thumbturn cylinder, for inside operation of 8834 function only	2130	1" 1-1/8"
S2053	Thumbturn cylinder, for replacement of key operated cylinder.	2160	1" 1-1/8"



Other Manufacturers' Keyway Cylinders/Cores

Illustration	Model Number	Type	Cam	Length	Pins	Housing Only Model Number	Core Only Model Number
	A620	Small Format IC Mortise, includes Best® Keyway Core. Available keyed random, master keyed or uncombined. Specify keyway A, B, C, D, E, F, G, H, J, K, L or M.	KC1	1-1/4" 1-3/8" 1-3/4"	6 6 or 7	K660	A600
	2553	Fixed Core Mortise Schlage® "C" Keyway Cylinder. Available 0-bitted or keyed random. Available finishes: 606, 612, 613, 626	2160	1-1/8"	6	N/A	N/A



Cylinder Collars

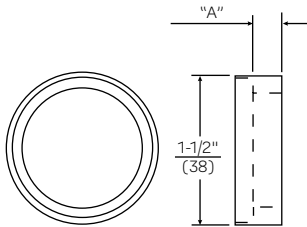
Cylinder collars are supplied as standard where required with products supplied with cylinders. Collar size and thickness are supplied to suit the length of the cylinder, the thickness of the door and the trim ordered. (If door thickness is not specified, collars will be supplied to suit 1-3/4" (44mm) door.)

Collar length required must be specified for cylinders and/or housings ordered separately.

1765 Recessed Cylinder Collar

"A" Dimension: See chart for available sizes. To order, specify "1765.size" i.e. 1765.250.

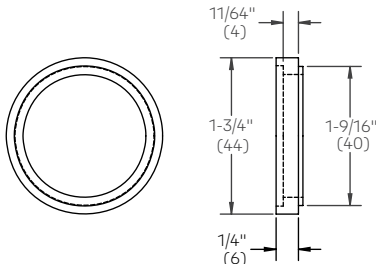
Material: Brass, Stainless Steel



"A" Dimension					
Size	Specify	Size	Specify	Size	Specify
1/16"	.062	11/32"	.344	21/32"	.656
3/32"	.094	3/8"	.375	23/32"	.719
1/8"	.125	13/32"	.406	3/4"	.750
5/32"	.156	7/16"	.437	27/32"	.844
3/16"	.187	15/32"	.469	59/64"	.924
7/32"	.219	1/2"	.500	15/16"	.937
1/4"	.250	17/32"	.531	1-15/32"	1.473
9/32"	.281	9/16"	.563		
5/16"	.312	19/32"	.594		

1766 Step Collar for U5109 and U5153 High Security Cylinders.

Material: Stainless Steel



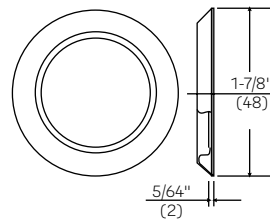
KP3 Wave Washer

(Furnished standard with 1765 collar for Yale® KeyMark® cylinders only).



KP4 Flush Mount Cylinder Collar

Material: Brass, Bronze



Cylinder Collars



For Use With Standard Sectional And All Reflections® Trims

Door Thickness	Rose or Escutcheon Trim Design	No. of Pins	2153, 2153S, 5153, 2123, 2123S Fixed Core Mortise Cylinders		U5153, U5153S, H.S. Fixed Core Cylinders		2196, 2196S, 5196, 2197, 2197S, 5197 LFIC Cylinders		5719, 2719 Fixed Core Hotel/Motel Cylinders	
			Cylinder Length	Collar Required	Cylinder Length	Collar Required	Cylinder Length	Collar Required	Cylinder Length	Collar Required
1-3/4" (44)	CO, R1, R2, R3, R4, R5, R6, R7, R8, E1, E2, E3, E4	6	1-1/8"	1765.250	1-1/8"	No Collar	1-1/2"	1765.656	1-3/8"	1765.531
		6 or 7	1-1/4"	1765.375	1-1/4"	1766	1-11/16"	1765.844		
		6 or 7	1-3/8"	1765.531	1-3/8"	N/A				
		6 or 7	1-1/2"	1765.656	1-1/2"	N/A				
2" (51)	CO, R1, R2, R3, R4, R5, R6, R7, R8, E1, E2, E3, E4	6	1-1/8"	1765.125	1-1/8"	N/A	1-1/2"	1765.531	1-3/8"	1765.531
		6 or 7	1-1/4"	1765.250	1-1/4"	No Collar	1-11/16"	1765.719		
		6 or 7	1-3/8"	1765.375	1-3/8"	N/A				
		6 or 7	1-1/2"	1765.531	1-1/2"	N/A				
2-1/4" (57)	CO, R1, R2, R3, R4, R5, R6, R7, R8, E1, E2, E3, E4	6	1-1/8"	KP4	1-1/8"	No Collar	1-1/2"	1765.375	1-3/8"	1765.250
		6 or 7	1-1/4"	1765.125	1-1/4"	No Collar	1-11/16"	1765.563		
		6 or 7	1-3/8"	1765.250	1-3/8"	N/A				
		6 or 7	1-1/2"	1765.375	1-1/2"	N/A				
2-1/2" (64)	CO, R1, R2, R3, R4, R5, R6, R7, R8, E1, E2, E3, E4	6	1-1/8"	N/A	1-1/8"	N/A	1-1/2"	1765.250	1-3/8"	1765.125
		6 or 7	1-1/4"	KP4	1-1/4"	No Collar	1-11/16"	1765.469		
		6 or 7	1-3/8"	1765.125	1-3/8"	N/A				
		6 or 7	1-1/2"	1765.250	1-1/2"	N/A				
2-3/4" (70)	CO, R1, R2, R3, R4, R5, R6, R7, R8, E1, E2, E3, E4	6	1-1/8"	N/A	1-1/8"	N/A	1-1/2"	1765.125	1-3/8"	KP4
		6 or 7	1-1/4"	N/A	1-1/4"	N/A	1-11/16"	1765.344		
		6 or 7	1-3/8"	KP4	1-3/8"	N/A				
		6 or 7	1-1/2"	1765.125	1-1/2"	N/A				
3" (76)	CO, R1, R2, R3, R4, R5, R6, R7, R8, E1, E2, E3, E4	6	1-1/8"	N/A	1-1/8"	N/A	1-1/2"	KP4	1-3/8"	N/A
		6 or 7	1-1/4"	N/A	1-1/4"	N/A	1-11/16"	1765.187		
		6 or 7	1-3/8"	N/A	1-3/8"	N/A				
		6 or 7	1-1/2"	KP4	1-1/2"	N/A				
3-1/4" (83)	CO, R1, R2, R3, R4, R5, R6, R7, R8, E1, E2, E3, E4	6	1-1/8"	N/A	1-1/8"	N/A	1-1/2"	N/A	1-3/8"	N/A
		6 or 7	1-1/4"	N/A	1-1/4"	N/A	1-11/16"	1765.062		
		6 or 7	1-3/8"	N/A	1-3/8"	N/A				
		6 or 7	1-1/2"	N/A	1-1/2"	N/A				

N/A = Application Not Available

Note: R1, R2, E1 and E2 discontinued. Information for reference only.

Cylinder Collars



For Use With Standard Sectional And All Reflections® Trims

Door Thickness	Rose or Escutcheon Trim Design	No. of Pins	5196H, 2196H Hotel/Motel LFIC Cylinders		K100 Yale® KeyMark® Fixed Core Cylinders		K820, K860 Yale® KeyMark® LFIC Cylinders		K620, K630 K660, K670, A620, A630 Yale® KeyMark® and Best® Keyway SFIC Cylinders	
			Cylinder Length	Collar Required	Cylinder Length	Collar Required	Cylinder Length	Collar Required	Cylinder Length	Collar Required
1-3/4" (44)	CO, R1, R2, R3, R4, R5, R6, R7, R8, E1, E2, E3, E4	6	1-11/16"	1765.844	1-1/8"	1765.312	1-1/2"	1765.656	1-1/4"	1765.375
		6 or 7			1-1/4"	1765.375	1-11/16"	1765.844	1-3/8"	1765.563
		6 or 7			1-1/2"	1765.656				
		6 or 7								
2" (51)	CO, R1, R2, R3, R4, R5, R6, R7, R8, E1, E2, E3, E4	6	1-11/16"	1765.719	1-1/8"	1765.187	1-1/2"	1765.563	1-1/4"	1765.281
		6 or 7			1-1/4"	1765.281	1-11/16"	1765.750	1-3/8"	1765.469
		6 or 7			1-1/2"	1765.563				
		6 or 7								
2-1/4" (57)	CO, R1, R2, R3, R4, R5, R6, R7, R8, E1, E2, E3, E4	6	1-11/16"	1765.563	1-1/8"	1765.062	1-1/2"	1765.406	1-1/4"	1765.125
		6 or 7			1-1/4"	1765.125	1-11/16"	1765.594	1-3/8"	1765.312
		6 or 7			1-1/2"	1765.406				
		6 or 7								
2-1/2" (64)	CO, R1, R2, R3, R4, R5, R6, R7, R8, E1, E2, E3, E4	6	1-11/16"	1765.469	1-1/8"	N/A	1-1/2"	1765.281	1-1/4"	1765.062
		6 or 7			1-1/4"	1765.062	1-11/16"	1765.500	1-3/8"	1765.187
		6 or 7			1-1/2"	1765.281				
		6 or 7								
2-3/4" (70)	CO, R1, R2, R3, R4, R5, R6, R7, R8, E1, E2, E3, E4	6	1-11/16"	1765.344	1-1/8"	N/A	1-1/2"	1765.187	1-1/4"	N/A
		6 or 7			1-1/4"	N/A	1-11/16"	1765.375	1-3/8"	1765.062
		6 or 7			1-1/2"	1765.187				
		6 or 7								
3" (76)	CO, R1, R2, R3, R4, R5, R6, R7, R8, E1, E2, E3, E4	6	1-11/16"	1765.187	1-1/8"	N/A	1-1/2"	1765.062	1-1/4"	N/A
		6 or 7			1-1/4"	N/A	1-11/16"	1765.219	1-3/8"	N/A
		6 or 7			1-1/2"	1765.062				
		6 or 7								
3-1/4" (83)	CO, R1, R2, R3, R4, R5, R6, R7, R8, E1, E2, E3, E4	6	1-11/16"	1765.062	1-1/8"	N/A	1-1/2"	N/A	1-1/4"	N/A
		6 or 7			1-1/4"	N/A	1-11/16"	1765.062	1-3/8"	N/A
		6 or 7			1-1/2"	N/A				
		6 or 7								

N/A = Application Not Available

Note: R1, R2, E1 and E2 discontinued. Information for reference only.

Cylinder Collars



For Use With Standard Escutcheon Trim

Door Thickness	Escutcheon Trim Design	No. of Pins	2153, 2153S, 5153, 2123, 2123S Fixed Core Mortise Cylinders		U5153, U5153S, H.S. Fixed Core Cylinders		2196, 2196S, 5196, 2197, 2197S, 5197 LFIC Cylinders		5719, 2719 Fixed Core Hotel/Motel Cylinders		5196H, 2196H Hotel/Motel LFIC Cylinders		K100 Yale® KeyMark® Fixed Core Cylinders		K820, K860 Yale® KeyMark® LFIC Cylinders		K620, K630 K660, K670, A620, A630 Yale® KeyMark® and Best® Keyway SFIC Cylinders	
			Cylinder Length	Collar Required	Cylinder Length	Collar Required	Cylinder Length	Collar Required	Cylinder Length	Collar Required	Cylinder Length	Collar Required	Cylinder Length	Collar Required	Cylinder Length	Collar Required	Cylinder Length	Collar Required
1-3/4" (44)	Copenhagen (R)	6	1-1/8"	1765.156	1-1/8"	No Collar	1-1/2"	1765.563	1-3/8"	1765.469	1-11/16"	1765.750	1-1/8"	1765.187	1-1/2"	1765.594	1-1/4"	1765.344
		6 or 7	1-1/4"	1765.312	1-3/8"	No Collar	1-11/16"	1765.750					1-1/4"	1765.344	1-11/16"	1765.844	1-3/8"	1765.469
		6 or 7	1-3/8"	1765.469	1-1/2"	No Collar								1-1/2"	1765.594			
	Camden (CN)	6	1-1/8"	No Collar	1-1/8"	N/A	1-1/2"	1765.219	1-3/8"	1765.094	1-11/16"	1765.469	1-1/8"	No Collar	1-1/2"	1765.250	1-1/4"	No Collar
		6 or 7	1-1/4"	No Collar	1-1/4"	N/A	1-11/16"	1765.406					1-1/4"	No Collar	1-11/16"	1765.469	1-3/8"	1765.125
		6 or 7	1-3/8"	1765.094	1-3/8"	N/A							1-1/2"	1765.250				
	SL	6	1-1/8"	1765.094	1-1/8"	N/A	1-1/2"	1765.469	1-3/8"	1765.344	1-11/16"	1765.656	1-1/8"	1765.125	1-1/2"	1765.500	1-1/4"	1765.156
		6 or 7	1-1/4"	1765.219	1-1/4"	No Collar	1-11/16"	1765.656					1-1/4"	1765.156	1-11/16"	1765.719	1-3/8"	1765.375
		6 or 7	1-3/8"	1765.375	1-3/8"	N/A							1-1/2"	1765.500				
	Easton (CE)	6	1-1/8"	1765.062	1-1/8"	N/A	1-1/2"	1765.500	1-3/8"	1765.375	1-11/16"	1765.656	1-1/8"	1765.125	1-1/2"	1765.500	1-1/4"	1765.156
		6 or 7	1-1/4"	1765.219	1-1/4"	No Collar	1-11/16"	1765.656					1-1/4"	1765.156	1-11/16"	1765.719	1-3/8"	1765.375
		6 or 7	1-3/8"	1765.344	1-3/8"	N/A							1-1/2"	1765.500				
Lenoir (LN)	6	1-1/8"	1765.094	1-1/8"	N/A	1-1/2"	1765.531	1-3/8"	1765.406	1-11/16"	1765.750	1-1/8"	1765.187	1-1/2"	1765.563	1-1/4"	1765.281	
	6 or 7	1-1/4"	1765.281	1-1/4"	No Collar	1-11/16"	1765.750					1-1/4"	1765.281	1-11/16"	1765.750	1-3/8"	1765.469	
	6 or 7	1-3/8"	1765.406	1-3/8"	N/A							1-1/2"	1765.563					
Copenhagen (R)	6	1-1/8"	1765.187	1-1/8"	N/A	1-1/2"	1765.406	1-3/8"	1765.312	1-11/16"	1765.594	1-1/8"	1765.094	1-1/2"	1765.469	1-1/4"	1765.219	
	6 or 7	1-1/4"	1765.312	1-3/8"	No Collar	1-11/16"	1765.594					1-1/4"	1765.219	1-11/16"	1765.656	1-3/8"	1765.344	
	6 or 7	1-3/8"	1765.406	1-1/2"	N/A							1-1/2"	1765.469					
Camden (CN)	6	1-1/8"	N/A	1-1/8"	N/A	1-1/2"	1765.062	1-3/8"	N/A	1-11/16"	1765.250	1-1/8"	N/A	1-1/2"	1765.125	1-1/4"	No Collar	
	6 or 7	1-1/4"	No Collar	1-1/4"	No Collar	1-11/16"	1765.250					1-1/4"	No Collar	1-11/16"	1765.344	1-3/8"	No Collar*	
	6 or 7	1-3/8"	N/A	1-3/8"	N/A							1-1/2"	1765.125					
SL	6	1-1/8"	1765.062	1-1/2"	N/A	1-1/2"	1765.344	1-3/8"	1765.219	1-11/16"	1765.531	1-1/8"	1765.094	1-1/2"	1765.375	1-1/4"	1765.094	
	6 or 7	1-1/4"	1765.094	1-1/4"	N/A	1-11/16"	1765.531					1-1/4"	1765.094	1-11/16"	1765.563	1-3/8"	1765.250	
	6 or 7	1-3/8"	1765.219	1-3/8"	N/A							1-1/2"	1765.375					
Easton (CE)	6	1-1/8"	N/A	1-1/8"	N/A	1-1/2"	1765.344	1-3/8"	1765.219	1-11/16"	1765.500	1-1/8"	1765.094	1-1/2"	1765.406	1-1/4"	1765.125	
	6 or 7	1-1/4"	1765.062	1-1/4"	N/A	1-11/16"	1765.500					1-1/4"	1765.094	1-11/16"	1765.563	1-3/8"	1765.250	
	6 or 7	1-3/8"	1765.219	1-3/8"	N/A							1-1/2"	1765.375					
Lenoir (LN)	6	1-1/8"	No Collar	1-1/8"	N/A	1-1/2"	1765.344	1-3/8"	1765.187	1-11/16"	1765.531	1-1/8"	No Collar*	1-1/2"	1765.406	1-1/4"	1765.125	
	6 or 7	1-1/4"	1765.094	1-1/4"	N/A	1-11/16"	1765.531					1-1/4"	1765.125	1-11/16"	1765.594	1-3/8"	1765.312	
	6 or 7	1-3/8"	1765.187	1-3/8"	N/A							1-1/2"	1765.406					

*Single Cylinder Only
 N/A = Application Not Available
 Note: Copenhagen, Easton and Lenoir escutcheons discontinued. Information for reference only.

Cylinder Collars



For Use With Standard Escutcheon Trim

Door Thickness	Escutcheon Trim Design	No. of Pins	2153, 2153S, 5153, 2123, 2123S Fixed Core Mortise Cylinders		U5153, U5153S, H.S. Fixed Core Cylinders		2196, 2196S, 5196, 2197, 2197S, 5197 LFIC Cylinders		5719, 2719 Fixed Core Hotel/Motel Cylinders		5196H, 2196H Hotel/Motel LFIC Cylinders		K100 Yale® KeyMark® Fixed Core Cylinders		K820, K860 Yale® KeyMark® LFIC Cylinders		K620, K630, K660, K670, A620, A630 Yale® KeyMark® and Best® Keyway SFIC Cylinders				
			Cylinder Length	Collar Required	Cylinder Length	Collar Required	Cylinder Length	Collar Required	Cylinder Length	Collar Required	Cylinder Length	Collar Required	Cylinder Length	Collar Required	Cylinder Length	Collar Required	Cylinder Length	Collar Required	Cylinder Length	Collar Required	
2-1/4" (57)	Copenhagen (R)	6	1-1/8"	N/A	1-1/8"	N/A	1-1/2"	1765.344	1-3/8"	1765.187	1-11/16"	1765.500	1-1/8"	N/A	1-1/2"	1765.375	1-1/4"	1765.094	1-1/4"	1765.094	
		6 or 7	1-1/4"	1765.062	1-1/4"	N/A	1-11/16"	1765.500					1-1/2"	N/A	1-11/16"	1765.531	1-3/8"	1765.250	1-3/8"	1765.250	
		6 or 7	1-3/8"	1765.187	1-3/8"	N/A															
		6 or 7	1-1/2"	1765.344	1-1/2"	N/A															
	Camden (CN)	6	1-1/8"	N/A	1-1/8"	N/A	1-1/2"	N/A	1-3/8"	No Collar	1-11/16"	1765.156	1-1/8"	1765.156	1-1/2"	N/A	1-1/4"	N/A	1-1/4"	N/A	
		6 or 7	1-1/4"	N/A	1-1/4"	N/A	1-11/16"	1765.156					1-1/4"	N/A	1-11/16"	1765.219	1-3/8"	No Collar*	1-3/8"	No Collar*	
		6 or 7	1-3/8"	No Collar	1-3/8"	N/A															
		6 or 7	1-1/2"	N/A	1-1/2"	N/A															
	SL	6	1-1/8"	N/A	1-1/8"	N/A	1-1/2"	N/A	1-3/8"	1765.062	1-11/16"	1765.406	1-1/8"	1765.406	1-1/2"	N/A	1-1/4"	N/A	1-1/4"	N/A	
		6 or 7	1-1/4"	N/A	1-1/4"	N/A	1-11/16"	1765.406					1-1/4"	N/A	1-11/16"	1765.469	1-3/8"	1765.156	1-3/8"	1765.156	
		6 or 7	1-3/8"	1765.062	1-3/8"	N/A															
		6 or 7	1-1/2"	1765.219	1-1/2"	N/A															
Easton (CE)	6	1-1/8"	N/A	1-1/8"	N/A	1-1/2"	N/A	1-3/8"	1765.062	1-11/16"	1765.406	1-1/8"	1765.406	1-1/2"	N/A	1-1/4"	N/A	1-1/4"	N/A		
	6 or 7	1-1/4"	N/A	1-1/4"	N/A	1-11/16"	1765.406					1-1/4"	N/A	1-11/16"	1765.469	1-3/8"	1765.156	1-3/8"	1765.156		
	6 or 7	1-3/8"	1765.062	1-3/8"	N/A																
	6 or 7	1-1/2"	1765.219	1-1/2"	N/A																
Lenoir® (LN)	5	1-1/8"	N/A	1-1/8"	No Collar	1-1/2"	1765.219	1-3/8"	No Collar	1-11/16"	1765.406	1-1/8"	1765.406	1-1/2"	No Collar	1-1/4"	1765.062	1-1/4"	1765.062		
	6	1-1/4"	No Collar	1-1/4"	No Collar	1-11/16"	1765.406					1-1/4"	1765.062	1-11/16"	1765.469	1-3/8"	1765.187	1-3/8"	1765.187		
	6 or 7	1-3/8"	1765.094	1-3/8"	No Collar																
	6 or 7	1-1/2"	1765.219	1-1/2"	No Collar																
Copenhagen (R)	6	1-1/8"	N/A	1-1/8"	N/A	1-1/2"	1765.187	1-3/8"	1765.062	1-11/16"	1765.375	1-1/8"	1765.375	1-1/2"	N/A	1-1/4"	1765.094	1-1/4"	1765.094		
	6 or 7	1-1/4"	N/A	1-1/4"	N/A	1-11/16"	1765.375					1-1/4"	1765.406	1-11/16"	1765.469	1-3/8"	1765.156	1-3/8"	1765.156		
	6 or 7	1-3/8"	1765.062	1-3/8"	N/A																
	6 or 7	1-1/2"	1765.187	1-1/2"	N/A																
Camden (CN)	6	1-1/8"	N/A	1-1/8"	N/A	1-1/2"	No Collar	1-3/8"	N/A	1-11/16"	1765.062	1-1/8"	1765.062	1-1/2"	No Collar	1-1/4"	1765.062	1-1/4"	1765.062		
	6 or 7	1-1/4"	N/A	1-1/4"	N/A	1-11/16"	1765.062					1-1/4"	1765.062	1-11/16"	1765.062	1-3/8"	N/A	1-3/8"	N/A		
	6 or 7	1-3/8"	N/A	1-3/8"	N/A																
	6 or 7	1-1/2"	No Collar	1-1/2"	N/A																
SL	6	1-1/8"	N/A	1-1/8"	N/A	1-1/2"	1765.062	1-3/8"	N/A	1-11/16"	1765.250	1-1/8"	1765.250	1-1/2"	N/A	1-1/4"	1765.062	1-1/4"	1765.062		
	6 or 7	1-1/4"	N/A	1-1/4"	N/A	1-11/16"	1765.250					1-1/4"	1765.312	1-11/16"	1765.312	1-3/8"	1765.187	1-3/8"	1765.187		
	6 or 7	1-3/8"	N/A	1-3/8"	N/A																
	6 or 7	1-1/2"	No Collar	1-1/2"	N/A																
Easton (CE)	6	1-1/8"	N/A	1-1/8"	N/A	1-1/2"	1765.062	1-3/8"	N/A	1-11/16"	1765.250	1-1/8"	1765.250	1-1/2"	N/A	1-1/4"	1765.062	1-1/4"	1765.062		
	6 or 7	1-1/4"	N/A	1-1/4"	N/A	1-11/16"	1765.250					1-1/4"	1765.312	1-11/16"	1765.312	1-3/8"	1765.187	1-3/8"	1765.187		
	6 or 7	1-3/8"	N/A	1-3/8"	N/A																
	6 or 7	1-1/2"	1765.062	1-1/2"	N/A																
Lenoir (LN)	6	1-1/8"	N/A	1-1/8"	N/A	1-1/2"	1765.094	1-3/8"	N/A	1-11/16"	1765.312	1-1/8"	1765.312	1-1/2"	No Collar	1-1/4"	1765.062	1-1/4"	1765.062		
	6 or 7	1-1/4"	N/A	1-1/4"	N/A	1-11/16"	1765.312					1-1/4"	1765.312	1-11/16"	1765.312	1-3/8"	1765.187	1-3/8"	1765.187		
	6 or 7	1-3/8"	No Collar	1-3/8"	N/A																
	6 or 7	1-1/2"	1765.094	1-1/2"	N/A																

*Single Cylinder Only
 N/A = Application Not Available
Note: Copenhagen, Easton and Lenoir escutcheons discontinued. Information for reference only.

Cylinder Collars



For Use With Standard Escutcheon Trim

Door Thickness	Escutcheon Trim Design	No. of Pins	2153, 2153S, 5153, 2123, 2123S Fixed Core Mortise Cylinders		U5153, U5153S, H.S. Fixed Core Cylinders		2196, 2196S, 5196, 2197, 2197S, 5197 LFC Cylinders		5719, 2719 Fixed Core Hotel/Motel Cylinders		5196H, 2196H Hotel/Motel LFC Cylinders		K100 Yale® KeyMark® Fixed Core Cylinders		K820, K860 Yale® KeyMark® LFC Cylinders		K620, K630 K660, K670, A620, A630 Yale® KeyMark® and Best® Keyway SFIC Cylinders					
			Cylinder Length	Collar Required	Cylinder Length	Collar Required	Cylinder Length	Collar Required	Cylinder Length	Collar Required	Cylinder Length	Collar Required	Cylinder Length	Collar Required	Cylinder Length	Collar Required	Cylinder Length	Collar Required	Cylinder Length	Collar Required		
2-3/4" (70)	Copenhagen (R)	6	1-1/8"	N/A	1-1/2"	1765.062	1-1/2"	1765.062	1-3/8"	N/A	1-11/16"	1765.250	1-1/2"	N/A	1-1/2"	1765.062	1-1/2"	1765.062	1-1/4"	N/A		
		6 or 7	1-1/4"	N/A	1-11/16"	1765.250	1-3/8"	N/A	1-11/16"	No Collar	1-11/16"	1765.094	1-1/2"	N/A	1-11/16"	No Collar*	1-3/8"	1765.250	1-3/8"	N/A		
		6 or 7	1-3/8"	N/A	1-1/2"	1765.062	1-3/8"	N/A	1-1/2"	N/A	1-3/8"	N/A	1-1/2"	N/A	1-1/2"	N/A	1-1/2"	1765.062	1-3/8"	N/A		
		6 or 7	1-1/8"	N/A	1-1/2"	1765.062	1-1/2"	N/A	1-1/2"	N/A	1-3/8"	N/A	1-11/16"	1765.094	1-1/2"	N/A	1-1/2"	1765.062	1-1/4"	N/A		
	Camden (CN)	6	1-1/8"	N/A	1-1/2"	1765.062	1-1/2"	N/A	1-1/2"	N/A	1-3/8"	N/A	1-11/16"	1765.094	1-1/2"	N/A	1-1/2"	1765.062	1-1/4"	N/A		
		6 or 7	1-1/4"	N/A	1-11/16"	1765.250	1-3/8"	N/A	1-11/16"	No Collar	1-3/8"	N/A	1-11/16"	1765.094	1-1/2"	N/A	1-11/16"	No Collar*	1-3/8"	1765.250	1-3/8"	N/A
		6 or 7	1-3/8"	N/A	1-1/2"	1765.062	1-3/8"	N/A	1-1/2"	N/A	1-3/8"	N/A	1-11/16"	1765.094	1-1/2"	N/A	1-1/2"	1765.062	1-3/8"	N/A		
		6 or 7	1-1/8"	N/A	1-1/2"	1765.062	1-1/2"	N/A	1-1/2"	N/A	1-3/8"	N/A	1-11/16"	1765.094	1-1/2"	N/A	1-1/2"	1765.062	1-1/4"	N/A		
	SL	6	1-1/8"	N/A	1-1/2"	1765.062	1-1/2"	N/A	1-1/2"	N/A	1-3/8"	N/A	1-11/16"	1765.094	1-1/2"	N/A	1-1/2"	1765.062	1-1/4"	N/A		
		6 or 7	1-1/4"	N/A	1-11/16"	1765.250	1-3/8"	N/A	1-11/16"	No Collar	1-3/8"	N/A	1-11/16"	1765.094	1-1/2"	N/A	1-11/16"	No Collar*	1-3/8"	1765.250	1-3/8"	N/A
		6 or 7	1-3/8"	N/A	1-1/2"	1765.062	1-3/8"	N/A	1-1/2"	N/A	1-3/8"	N/A	1-11/16"	1765.094	1-1/2"	N/A	1-1/2"	1765.062	1-3/8"	N/A		
		6 or 7	1-1/8"	N/A	1-1/2"	1765.062	1-1/2"	N/A	1-1/2"	N/A	1-3/8"	N/A	1-11/16"	1765.094	1-1/2"	N/A	1-1/2"	1765.062	1-1/4"	N/A		
Easton (CE)	6	1-1/8"	N/A	1-1/2"	1765.062	1-1/2"	N/A	1-1/2"	N/A	1-3/8"	N/A	1-11/16"	1765.094	1-1/2"	N/A	1-1/2"	1765.062	1-1/4"	N/A			
	6 or 7	1-1/4"	N/A	1-11/16"	1765.250	1-3/8"	N/A	1-11/16"	No Collar	1-3/8"	N/A	1-11/16"	1765.094	1-1/2"	N/A	1-11/16"	No Collar*	1-3/8"	1765.250	1-3/8"	N/A	
	6 or 7	1-3/8"	N/A	1-1/2"	1765.062	1-3/8"	N/A	1-1/2"	N/A	1-3/8"	N/A	1-11/16"	1765.094	1-1/2"	N/A	1-1/2"	1765.062	1-3/8"	N/A			
	6 or 7	1-1/8"	N/A	1-1/2"	1765.062	1-1/2"	N/A	1-1/2"	N/A	1-3/8"	N/A	1-11/16"	1765.094	1-1/2"	N/A	1-1/2"	1765.062	1-1/4"	N/A			
Lenoir* (LN)	6	1-1/8"	N/A	1-1/2"	1765.062	1-1/2"	N/A	1-1/2"	N/A	1-3/8"	N/A	1-11/16"	1765.094	1-1/2"	N/A	1-1/2"	1765.062	1-1/4"	N/A			
	6 or 7	1-1/4"	N/A	1-11/16"	1765.250	1-3/8"	N/A	1-11/16"	No Collar	1-3/8"	N/A	1-11/16"	1765.094	1-1/2"	N/A	1-11/16"	No Collar*	1-3/8"	1765.250	1-3/8"	N/A	
	6 or 7	1-3/8"	N/A	1-1/2"	1765.062	1-3/8"	N/A	1-1/2"	N/A	1-3/8"	N/A	1-11/16"	1765.094	1-1/2"	N/A	1-1/2"	1765.062	1-3/8"	N/A			
	6 or 7	1-1/8"	N/A	1-1/2"	1765.062	1-1/2"	N/A	1-1/2"	N/A	1-3/8"	N/A	1-11/16"	1765.094	1-1/2"	N/A	1-1/2"	1765.062	1-1/4"	N/A			
3" (76)	Copenhagen (R)	6	1-1/8"	N/A	1-1/2"	1765.062	1-1/2"	N/A	1-3/8"	N/A	1-11/16"	1765.094	1-1/2"	N/A	1-1/2"	1765.062	1-1/2"	1765.062	1-1/4"	N/A		
		6 or 7	1-1/4"	N/A	1-11/16"	1765.250	1-3/8"	N/A	1-11/16"	No Collar	1-3/8"	N/A	1-11/16"	1765.094	1-1/2"	N/A	1-11/16"	No Collar*	1-3/8"	1765.250	1-3/8"	N/A
		6 or 7	1-3/8"	N/A	1-1/2"	1765.062	1-3/8"	N/A	1-1/2"	N/A	1-3/8"	N/A	1-11/16"	1765.094	1-1/2"	N/A	1-1/2"	1765.062	1-3/8"	N/A		
		6 or 7	1-1/8"	N/A	1-1/2"	1765.062	1-1/2"	N/A	1-1/2"	N/A	1-3/8"	N/A	1-11/16"	1765.094	1-1/2"	N/A	1-1/2"	1765.062	1-1/4"	N/A		
	Camden (CN)	6	1-1/8"	N/A	1-1/2"	1765.062	1-1/2"	N/A	1-1/2"	N/A	1-3/8"	N/A	1-11/16"	1765.094	1-1/2"	N/A	1-1/2"	1765.062	1-1/4"	N/A		
		6 or 7	1-1/4"	N/A	1-11/16"	1765.250	1-3/8"	N/A	1-11/16"	No Collar	1-3/8"	N/A	1-11/16"	1765.094	1-1/2"	N/A	1-11/16"	No Collar*	1-3/8"	1765.250	1-3/8"	N/A
		6 or 7	1-3/8"	N/A	1-1/2"	1765.062	1-3/8"	N/A	1-1/2"	N/A	1-3/8"	N/A	1-11/16"	1765.094	1-1/2"	N/A	1-1/2"	1765.062	1-3/8"	N/A		
		6 or 7	1-1/8"	N/A	1-1/2"	1765.062	1-1/2"	N/A	1-1/2"	N/A	1-3/8"	N/A	1-11/16"	1765.094	1-1/2"	N/A	1-1/2"	1765.062	1-1/4"	N/A		
	SL	6	1-1/8"	N/A	1-1/2"	1765.062	1-1/2"	N/A	1-1/2"	N/A	1-3/8"	N/A	1-11/16"	1765.094	1-1/2"	N/A	1-1/2"	1765.062	1-1/4"	N/A		
		6 or 7	1-1/4"	N/A	1-11/16"	1765.250	1-3/8"	N/A	1-11/16"	No Collar	1-3/8"	N/A	1-11/16"	1765.094	1-1/2"	N/A	1-11/16"	No Collar*	1-3/8"	1765.250	1-3/8"	N/A
		6 or 7	1-3/8"	N/A	1-1/2"	1765.062	1-3/8"	N/A	1-1/2"	N/A	1-3/8"	N/A	1-11/16"	1765.094	1-1/2"	N/A	1-1/2"	1765.062	1-3/8"	N/A		
		6 or 7	1-1/8"	N/A	1-1/2"	1765.062	1-1/2"	N/A	1-1/2"	N/A	1-3/8"	N/A	1-11/16"	1765.094	1-1/2"	N/A	1-1/2"	1765.062	1-1/4"	N/A		
Easton (CE)	6	1-1/8"	N/A	1-1/2"	1765.062	1-1/2"	N/A	1-1/2"	N/A	1-3/8"	N/A	1-11/16"	1765.094	1-1/2"	N/A	1-1/2"	1765.062	1-1/4"	N/A			
	6 or 7	1-1/4"	N/A	1-11/16"	1765.250	1-3/8"	N/A	1-11/16"	No Collar	1-3/8"	N/A	1-11/16"	1765.094	1-1/2"	N/A	1-11/16"	No Collar*	1-3/8"	1765.250	1-3/8"	N/A	
	6 or 7	1-3/8"	N/A	1-1/2"	1765.062	1-3/8"	N/A	1-1/2"	N/A	1-3/8"	N/A	1-11/16"	1765.094	1-1/2"	N/A	1-1/2"	1765.062	1-3/8"	N/A			
	6 or 7	1-1/8"	N/A	1-1/2"	1765.062	1-1/2"	N/A	1-1/2"	N/A	1-3/8"	N/A	1-11/16"	1765.094	1-1/2"	N/A	1-1/2"	1765.062	1-1/4"	N/A			
Lenoir (LN)	6	1-1/8"	N/A	1-1/2"	1765.062	1-1/2"	N/A	1-1/2"	N/A	1-3/8"	N/A	1-11/16"	1765.094	1-1/2"	N/A	1-1/2"	1765.062	1-1/4"	N/A			
	6 or 7	1-1/4"	N/A	1-11/16"	1765.250	1-3/8"	N/A	1-11/16"	No Collar	1-3/8"	N/A	1-11/16"	1765.094	1-1/2"	N/A	1-11/16"	No Collar*	1-3/8"	1765.250	1-3/8"	N/A	
	6 or 7	1-3/8"	N/A	1-1/2"	1765.062	1-3/8"	N/A	1-1/2"	N/A	1-3/8"	N/A	1-11/16"	1765.094	1-1/2"	N/A	1-1/2"	1765.062	1-3/8"	N/A			
	6 or 7	1-1/8"	N/A	1-1/2"	1765.062	1-1/2"	N/A	1-1/2"	N/A	1-3/8"	N/A	1-11/16"	1765.094	1-1/2"	N/A	1-1/2"	1765.062	1-1/4"	N/A			

*Single Cylinder Only
 N/A = Application Not Available
 Note: Copenhagen, Easton and Lenoir escutcheons discontinued. Information for reference only.

Cylinder Collars



For Use With Standard Escutcheon Trim

Door Thickness	Escutcheon Trim Design	No. of Pins	2153, 2153S, 5153, 2123, 2123S Fixed Core Mortise Cylinders		U5153, U5153S, H.S. Fixed Core Cylinders		2196, 2196S, 5196, 2197, 2197S, 5197 LFIC Cylinders		5719, 2719 Fixed Core Hotel/Motel Cylinders		5196H, 2196H Hotel/Motel LFIC Cylinders		K100 Yale® KeyMark® Fixed Core Cylinders		K820, K860 Yale® KeyMark® LFIC Cylinders		K620, K630 K660, K670, A620, A630 Yale® KeyMark® and Best® Keyway SFIC Cylinders		
			Cylinder Length	Collar Required	Cylinder Length	Collar Required	Cylinder Length	Collar Required	Cylinder Length	Collar Required	Cylinder Length	Collar Required	Cylinder Length	Collar Required	Cylinder Length	Collar Required	Cylinder Length	Collar Required	
3-1/4" (83)	Copenhagen (R)	6	1-1/8"	N/A	1-1/8"	N/A	1-1/2"	N/A	1-3/8"	N/A	1-11/16"	1765.062	1-1/8"	**	1-1/2"	**	1-1/4"	**	
		6 or 7	1-1/4"	N/A	1-1/4"	N/A	1-11/16"	N/A	1-3/8"	N/A	1-11/16"	1765.062	1-1/4"	**	1-11/16"	**	1-3/8"	**	
		6 or 7	1-3/8"	N/A	1-3/8"	N/A													
		6 or 7	1-1/2"	N/A	1-1/2"	N/A													
		6 or 7	1-5/8"	N/A	1-5/8"	N/A													
		6 or 7	1-3/4"	1765.062	1-3/4"	N/A													
	Camden (CN)	6 or 7	1-7/8"	1765.125	1-7/8"	N/A	1-1/2"	N/A	1-3/8"	N/A	1-11/16"	1765.062	1-1/2"	**	1-11/16"	**	1-1/4"	**	
		6 or 7	1-1/8"	N/A	1-1/8"	N/A	1-11/16"	N/A	1-3/8"	N/A	1-11/16"	1765.062	1-11/16"	**	1-11/16"	**	1-3/8"	**	
		6 or 7	1-1/4"	N/A	1-1/4"	N/A													
		6 or 7	1-3/8"	N/A	1-3/8"	N/A													
		6 or 7	1-1/2"	N/A	1-1/2"	N/A													
		6 or 7	1-5/8"	N/A	1-5/8"	N/A													
SL	6 or 7	1-3/4"	N/A	1-3/4"	N/A														
	6 or 7	1-7/8"	No Collar	1-7/8"	N/A														
	6	1-1/8"	N/A	1-1/8"	N/A	1-1/2"	N/A	1-3/8"	N/A	1-11/16"	1765.062	1-1/2"	**	1-11/16"	**	1-1/4"	**		
	6 or 7	1-1/4"	N/A	1-1/4"	N/A	1-11/16"	N/A	1-3/8"	N/A	1-11/16"	1765.062	1-1/2"	**	1-11/16"	**	1-3/8"	**		
	6 or 7	1-3/8"	N/A	1-3/8"	N/A														
	6 or 7	1-1/2"	N/A	1-1/2"	N/A														
Easton (CE)	6 or 7	1-5/8"	N/A	1-5/8"	N/A														
	6 or 7	1-3/4"	1765.062	1-3/4"	N/A														
	6	1-1/8"	N/A	1-1/8"	N/A	1-1/2"	N/A	1-3/8"	N/A	1-11/16"	1765.062	1-1/2"	**	1-11/16"	**	1-1/4"	**		
	6 or 7	1-1/4"	N/A	1-1/4"	N/A	1-11/16"	N/A	1-3/8"	N/A	1-11/16"	1765.062	1-1/2"	**	1-11/16"	**	1-3/8"	**		
	6 or 7	1-3/8"	N/A	1-3/8"	N/A														
	6 or 7	1-1/2"	N/A	1-1/2"	N/A														
Lenoir (LN)	6 or 7	1-5/8"	N/A	1-5/8"	N/A														
	6 or 7	1-3/4"	N/A	1-3/4"	N/A														
	6 or 7	1-7/8"	1765.062	1-7/8"	N/A														
	6	1-1/8"	N/A	1-1/8"	N/A	1-1/2"	N/A	1-3/8"	N/A	1-11/16"	1765.062	1-1/2"	**	1-11/16"	**	1-1/4"	**		
	6 or 7	1-1/4"	N/A	1-1/4"	N/A	1-11/16"	N/A	1-3/8"	N/A	1-11/16"	1765.062	1-1/2"	**	1-11/16"	**	1-3/8"	**		
	6 or 7	1-3/8"	N/A	1-3/8"	N/A														

*Single Cylinder Only
 **Consult Factory
 N/A = Application Not Available
Note: Copenhagen, Easton and Lenoir escutcheons discontinued. Information for reference only.

Cylinder Collars



For Use with Sectional and Escutcheon Trim with V Series Indicators

Door Thickness	Trim	Function	Cylinder Length	Collar Required
1-3/4" (44)	Sectional or Escutcheon	Single Cylinder	1-1/8"	No Collar
			1-1/4"	No Collar
			1-3/8"	1765.062
			1-1/2"	1765.094
			1-11/16"	1765.281
		Double Cylinder	1-1/8"	No Collar
			1-1/4"	N/A
			1-3/8"	1765.094
			1-1/2"	1765.219
			1-11/16"	1765.406
2" (51)	Sectional or Escutcheon	Single Cylinder	1-1/8"	N/A
			1-1/4"	No Collar
			1-3/8"	No Collar
			1-1/2"	1765.062
			1-11/16"	1765.187
		Double Cylinder	1-1/8"	N/A
			1-1/4"	No Collar
			1-3/8"	N/A
			1-1/2"	1765.094
			1-11/16"	1765.281
2-1/4" (57)	Sectional or Escutcheon	Single Cylinder	1-1/8"	N/A
			1-1/4"	N/A
			1-3/8"	No Collar
			1-1/2"	No Collar
			1-11/16"	1765.062
		Double Cylinder	1-1/8"	N/A
			1-1/4"	N/A
			1-3/8"	No Collar
			1-1/2"	N/A
			1-11/16"	1765.156

N/A = Application Not Available



Strikes

Yale® 8800 Series Mortise Locks come standard with a 2815 Curved Lip Strike with a 1-1/4" (32mm) lip length. The strike supplied will accommodate the locking function, i.e. latchbolt and/or deadbolt, and can be installed on doors 1-3/4" (44mm) thick. These strikes are non-handed.

Material: Brass, Stainless Steel.

Longer/Shorter Lip Lengths: Mortise lock strikes are mounted 3/8" above the center line of the lock. To determine the proper length of lip use the following formula:

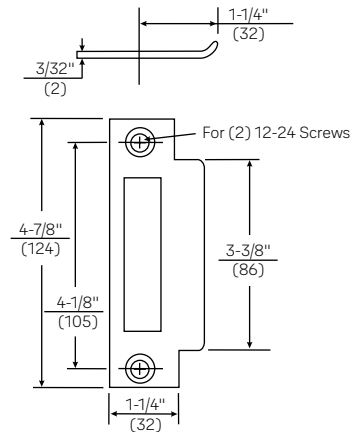
1/2 of the door thickness, plus 1/16" inset, plus trim thickness, plus 1/8" for flat lip strike OR 1/4" for curved lip strike. Select the nearest available length.

2815 Curved Lip:

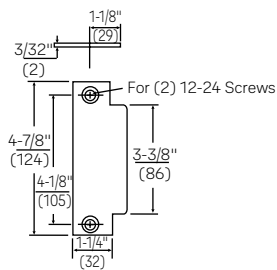
- 1-1/4" (32mm) standard
- To special order
- 1-1/8" (29mm)
- 1-3/8" (35mm)
- 1-1/2" (38mm)
- 1-5/8" (41mm)
- 1-3/4" (44mm)
- 1-7/8" (48mm)
- 2" (51mm)
- 2-1/8" (54mm)
- 2-1/4" (57mm)

2816 Flat Lip:

- To special order,
- 7/8" (22mm)
- 1" (25mm)
- 1-1/8" (29mm)
- 1-1/4" (32mm)
- 1-1/2" (38mm)
- 1-3/4" (44mm)
- 2" (51mm)
- 2-1/4" (57mm)
- 2-1/2" (64mm)



Optional Strikes

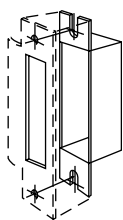


497B ANSI Blank Filler Plate: Reversible to replace a strike where a lock has been removed or where a frame with a strike preparation when no lock is installed on a door. Lip Lengths: 1-1/8" (29mm) only.

Material: Brass, Bronze, Stainless Steel.

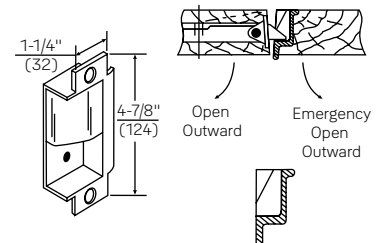
718 Open Back Strike: Field handable for a standard V-beveled pair of doors with a latchbolt only function on the active door. This strike permits emergency opening of the inactive door without damaging the lock mechanism. Available for doors 1-3/4" or 2-1/4" thick only. Specify the door thickness required.

Material: Stainless Steel, Black Nylon Coated.



202 Strike Box: Reversible for installation with all Flat or Curved Lip Strikes. Available to special order only.

Material: Wrought Steel, Zinc Plated, Dichromated.





Rabbeted Door Kits

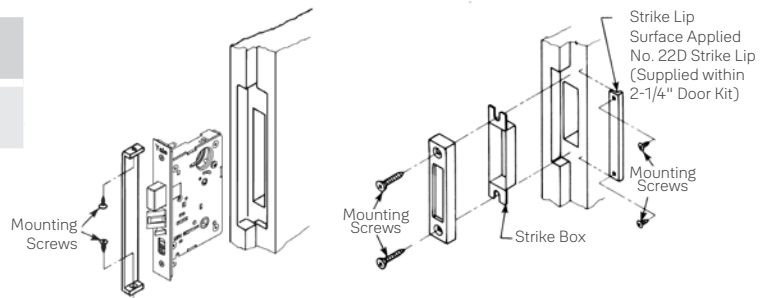
The Yale® 8800 Series Mortise Lock can be installed on a pair of doors with a standard 1/2" (13mm) step rabbet. Kits are available which adapt these locks to the rabbeted doors. These kits contain a 1/2" (13mm) standard step rabbet strip for the active door, a strike, a strike box, and, depending on the door thickness, a strike lip. They are available for doors 1-3/4" (44mm), 2" (51mm) and 2-1/4" (57mm) thick. All components of these kits are reversible.

To order a complete Yale mortise lock with a Rabbet Door Kit, suffix the lock model number with a Rabbeted Door by door thickness, hand and finish required, i.e. AU8807 x Rabbeted Door x 1-3/4" x RH x 626.

Kits for rabbeted doors can be ordered by model number separately from the accompanying chart. When ordered separately, specify the finish required.

Door Thickness	Rabbeted Door Kit Model No.	Strike Model No.
1-3/4" 2"	RK245	22E

These kits contain the above components plus a No. 22D strike lip with attaching screws for doors above 2".



Miscellaneous Trim Design

GF1824 Thumbturn and Round Plate

Supplied as standard on all locks with round rose sectional trim or lock functions with no roses.

Thumbturn: Cast Zinc.

Plate: 1-7/8" (48mm) Diameter.

Brass, Simulated Stainless Steel.



GF1826 Plate for Privacy

Used for outside of 8802 Privacy Lock.

Plate: 1-7/8" (48mm) Diameter.

Brass, Simulated Stainless Steel.



GF1828 Blank Plate

For use on doors where thumbturn is no longer used.

Plate: 1-7/8" (48mm) Diameter.

Brass, Simulated Stainless Steel.



Attaching Screws

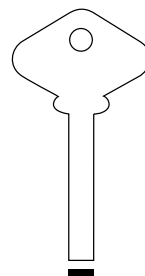
GF1824, GF1826 and GF1828

No. 6 x 3/8" (10mm) type "AB", Oval Phillips Head sheet metal screw, stainless steel plated to match trim (P/N 81-3173-0308). Specify finish required.

Emergency Key

E203

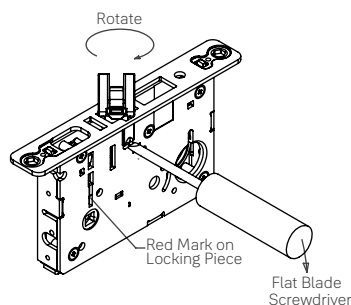
Used with 8802 privacy lock and 8862 bathroom lock for emergency access from outside.



Handing The 8800 Mortise Lock

HANDING THE LATCHBOLT

1. Insert a flat blade screwdriver into cover slot.
2. Pull back on screwdriver until latchbolt extends past the base front.
3. Rotate head to desired position.



HANDING THE HUBS (LEVER OPERATION)

1. Locate the red mark on locking piece
2. The red mark indicates the locked side
3. Push toggle button to the "Unlock" position
4. With a flat blade screwdriver push red mark on locking piece to rotate locking piece 180° to the desired location
5. The locking piece must be fully rotated 180° for proper operation

Hand Of Doors

The outside is the key side of an entrance door or the corridor side of a room door. The outside of a single communicating door is the side opposite the hinges. The outside of twin communicating doors is the space between the doors.



Left Hand: Hinges on left, opens inward. For handed locks, specify LH.



Left Hand Reverse: Hinges on left, opens outward. For handed locks, specify LHR.



Right Hand: Hinges on right, opens inward. For handed locks, specify RH.



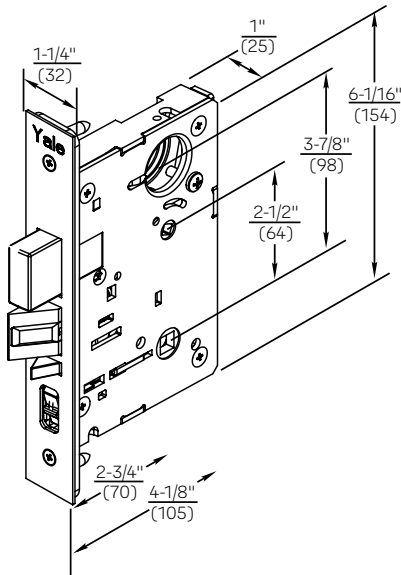
Right Hand Reverse: Hinges on right, opens outward. For handed locks, specify RHR.

Dimensions and Exploded Views

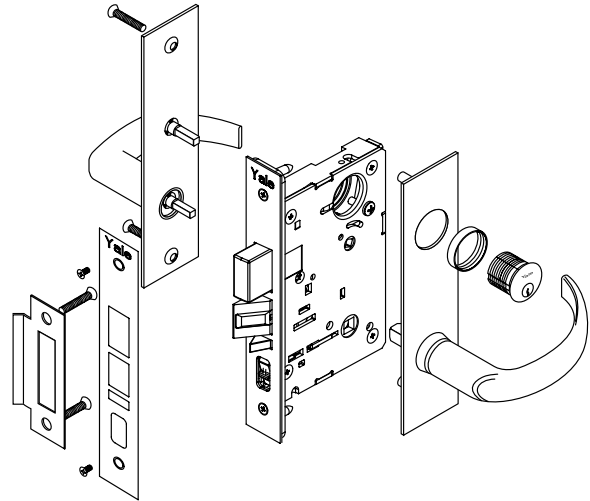


8800/SL8800 Series

- **Armor Front** - 8" x 1-1/4"
- **Door Thickness** - 1-3/4" standard, to 3-1/4" thick doors to order.
- **Deadbolt** - 1" throw, solid investment cast stainless steel.
- **Latchbolt** - 3/4" throw, stainless steel one-piece anti-friction.
- **Backset** - 2-3/4" only.
- **Case** - wrought steel, zinc dichromated.
- **Hubs** - 3/8" solid steel, fine-blanked and heat treated for additional strength.

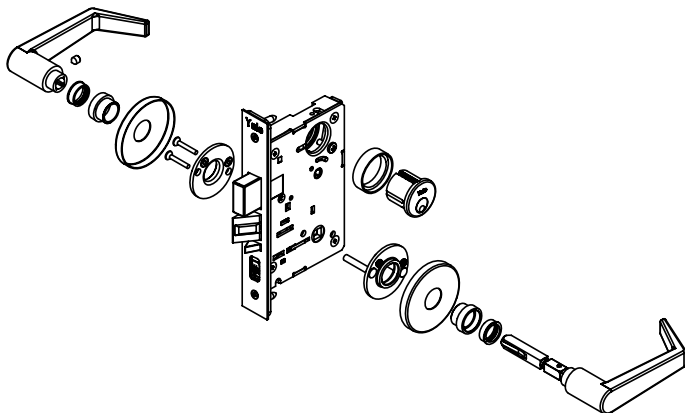


SL8800 Lever

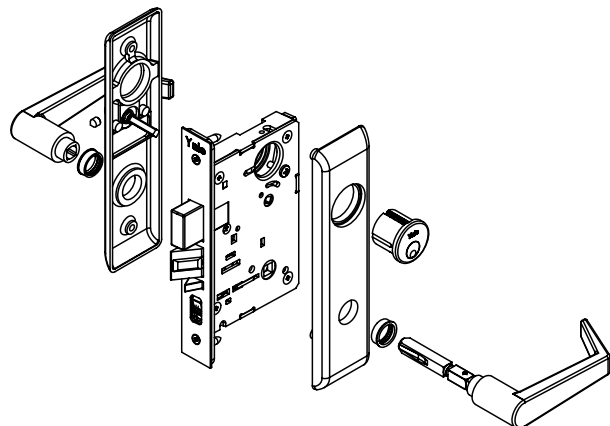


Standard Lever

Sectional

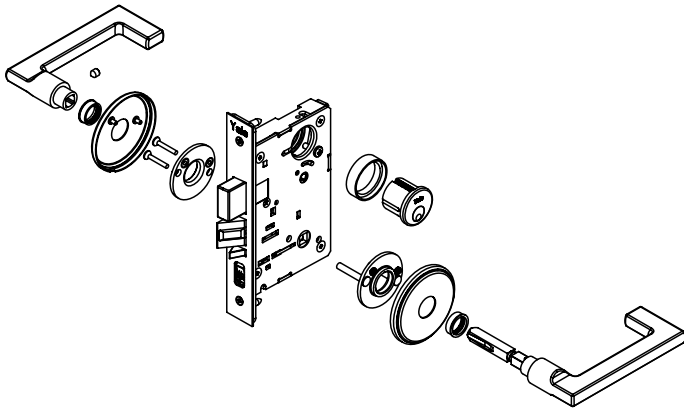


Escutcheon

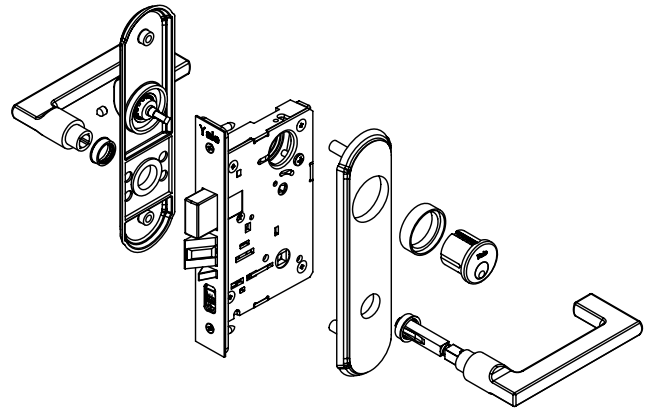


Reflections® Lever

Sectional



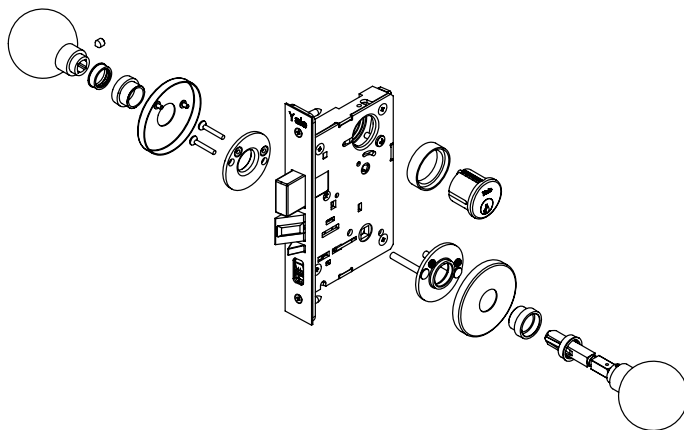
Escutcheon



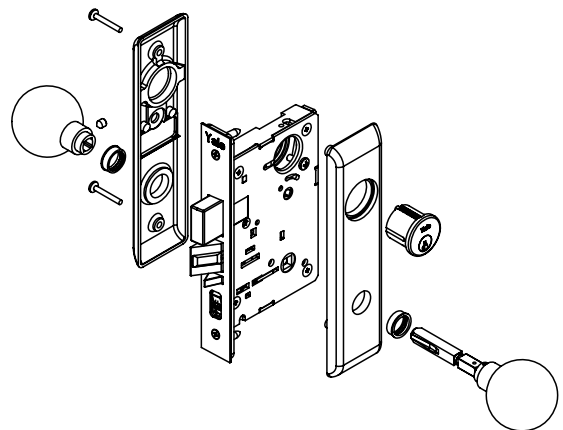
*When using Reflections levers with the CO rose, the rose adaptor is not used. Levers will not install and/or properly operate if rose adaptor is included.

Knob

Sectional



Escutcheon





ADA



The 8800 meets accessibility guidelines of the Americans with Disabilities Act and the requirements of the Uniform Federal Accessibility standards and ANSI 117.1, all requiring ease of accessibility.

ANSI/BHMA



Certified ANSI/BHMA A156.13, Series 1000, Operational Grade 1 (8800FL with CN escutcheon & SL8800 meet Security Grade 1). 8800 Series Mortise Locks conform to ANSI/BHMA Specifications A156.115 which cover hardware preparations for steel doors and steel frames and A156.115-W which cover hardware preparations for wood doors with wood or steel frames.

Bevel Front

Yale 8800 series fronts are free-floating to adjust from flat to the standard bevel of 1/8" in 2".

Door Thickness

8800 Series Mortise Locks are supplied as standard for 1-3/4" thick doors. For other than standard, specify the door thickness on the order: (i.e. 2", 2-1/4", etc.)

Installation

Yale 8800 Series sectional and escutcheon trims feature thrubolted installation. Outside trim is held in place by threaded posts. For sectional trims, the posts fit through holes in the lock case and are secured by thrubolts from the inside trim. For escutcheon trims, the posts fit through the door and are secured by thrubolts from the inside trim. The posts fit through holes in the door, above and below the lock case, and are secured by thrubolts from the inside trim.

ISO 9001

Designed and manufactured under a certified ISO 9001 quality system.

Lead Shielding

All Yale 8800 Series Mortise Locks are available with a lead shield for installation in lead-lined doors. To order, suffix the lockset model number with "lead-lined."

Knurled Designs

Where required by the local authority, trim can be knurled to be identifiable to the touch for blind persons. CO knob design and all lever designs except HA and Reflections® trim (pages 10-12) may be ordered knurled.

Only the outside knob or lever will be knurled or abrasive coated unless specified otherwise. To order a complete lockset knurled or abrasive coated, suffix the lockset model number with "Knurled" or "Abrasive Coated," i.e. AU x CN8807 x "Knurled," AU x CN8817-2 x "Knurled Inside Only," AU x CN8828FL "Abrasive Coated."

Underwriters Laboratories (UL/cUL)



Yale 8800 Series Mortise Locks have been listed by Underwriters Laboratories Inc. for use on fire doors having a rating up to and including 3 hours and for use on 20 minute wood doors. This pertains to single swing doors not exceeding 4 feet in width and 8 feet in height and in doors mounted in pairs not exceeding 8 feet in either direction (unless otherwise noted in the individual listings.)

In general, single-point mortise locks or latches with 3/4" minimum latch throw are intended for the active leaf of doors mounted in pairs, with the inactive leaf provided with top and bottom flush or surface bolts of the manual, automatic, or self-latching type. The door Classification Marking specifies the minimum latch throw required for the individual door.

Yale 8800 Series Mortise Locks with 3/4" throw latchbolts may also be used on single swing doors rated 1-1/2 hours or less, up to 4 feet in width and 9 feet in height. This is in addition to the rating mentioned above. All Yale 8800 Series Mortise Locks with Lever Handle Trim are UL listed for fire door applications. Underwriters Laboratories does not list locks with rabbeted fronts, locks with deadbolt only, or locks with hold-back feature on the latchbolt.

Note: Any retrofit or other field modification to a fire rated opening can potentially impact the fire rating of the opening, and Yale Locks & Hardware makes no representations or warranties concerning what such impact may be in any specific situation. When retrofitting any portion of an existing fire rated opening, or specifying and installing a new fire-rated opening, please consult with a code specialist or local code official (Authority Having Jurisdiction) to ensure compliance with all applicable codes and ratings.

Warranty

Yale 8800 Series mechanical mortise locks are protected by a ten (10) year warranty and 8800 Series electrified mortise locks have a two (2) year warranty.

Windstorm

Certified (refer to local codes).



Hurricane





Trusted every day

Phone

1-855-557-5078

Customer Service Email

customerservice.yale@assaabloy.com

Technical Product Support Email

techsupport.yale@assaabloy.com

Order Entry Email

orders.yaleus@assaabloy.com

Fax

1-800-338-0965

Website

www.yalecommercial.com

Contact Us

U.S.A.

Yale Locks & Hardware

Address: 225 Episcopal Road

Berlin, CT 06037-4004

Tel: 1-800-438-1951

Fax: 1-800-338-0965

yalecommercial.com

Canada:

ASSA ABLOY Door Security Solutions Canada

Address: 160 Four Valley Drive

Vaughan, Ontario L4K 4T9

Tel: 1-800-461-3007

Fax: 1-800-461-8989

assaabloydss.ca

International:

ASSA ABLOY Americas International

Tel: 1-905-821-7775

Fax: 1-905-821-1429

assaabloyai.com

MicroShield®

ASSA ABLOY Group companies offer MicroShield®, an anti-microbial coating for door hardware. MicroShield uses proven silver ion-based technology from Agion®, a leading provider of antimicrobial solutions, to stem the spread of bacteria and other microbes.

MicroShield® is a registered trademark of ASSA ABLOY Access and Egress Hardware Group, Inc.



The Agion antimicrobial is not intended as a substitute for good hygiene. Coated products must still be cleaned to ensure the surfaces will be free of destructive microbes. ASSA ABLOY makes no representations or warranties, express or implied, as to the efficacy of the Agion antimicrobial. A copy of the Agion warranty is available upon request. Agion is a registered trademark of Agion Technologies, Inc., Wakefield, MA, USA.

THE YALE BRAND, with its unparalleled global reach and range of products, reassures more people in more countries than any other consumer locking solution.

THE ASSA ABLOY GROUP is the world's leading manufacturer and supplier of locking solutions, dedicated to satisfying end-user needs for security, safety and convenience.

Yale Commercial is a business associated with ASSA ABLOY Access and Egress Hardware Group, Inc., an ASSA ABLOY Group company. Copyright © 2004-2022, ASSA ABLOY Access and Egress Hardware Group, Inc. All rights reserved. Reproduction in whole or in part without the express written permission of ASSA ABLOY Access and Egress Hardware Group, Inc. is prohibited. Patent pending and/or patent www.assaabloydss.com/patents.