



8800 Series Parts Manual

Grade 1 Mortise Locks

table of contents

How to Order Parts	2
Finish Chart	2
Lockbody Assemblies (by Function)	3-11
Electrified Lockbody Assemblies (by Function)	12-15
Armor Fronts and Strikes	16
Trim Assemblies	17-25
Lever and Knob Part Numbers	26
Escutcheon Plates	27
Handing	28
Trouble Shooting	28

how to order parts

To order parts, use the appropriate part number and specify finish if necessary.

For example, to order 10 curved lip strikes for any function:

Quantity	Part Number	Description
10	50-8800-2023-FIN	Strike, Curved Lip

To order 5 lockbody assemblies for a Passage or Closet Latch function (8801FL):

Quantity	Model Number	Description
5	LBDY8801FL	Lockbody Assembly , Including Armor Front and Strike

For assistance, contact your authorized Yale distributor, sales agency or visit our website at www.yalelocks.com.

finish chart

ANSI/BHMA Code	Finish Description
605	Bright Brass, Clear Coated
606	Satin Brass, Clear Coated
609	Satin Brass, Blackened, Satin Relieved, Clear Coated
611	Bright Bronze, Clear Coated
612	Satin Bronze, Clear Coated
613	Dark Oxidized Satin Bronze, Oil Rubbed
613E	Dark Oxidized Satin Bronze - equivalent
616	Satin Bronze, Blackened, Satin Relieved, Clear Coated
618	Bright Nickel Plated, Clear Coated

ANSI/BHMA Code	Finish Description
619	Satin Nickel Plated, Clear Coated
620	Satin Nickel Plated, Blackened, Satin Relieved, Clear Coated
625	Bright Chrome Plated
626	Satin Chrome Plated
629	Bright Stainless Steel
630	Satin Stainless Steel
693	Black Painted
722	Black Oxidized Bronze, Oil Rubbed

For "X" in part number, specify finish required:

- For 605, 606, 609, 611, 612, 613, 613E, 616, 618, 619, 620, 625, 626, 693 or 722 substitute "X" with "2"
- For 629 or 630 substitute "X" with "7"

Example = 50-8847-7219 would be an armor front used for an 8847 mortise lock in 630 finish.

FINISH CARE

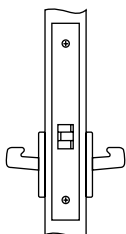
8800 Series Mortise Locks are designed to provide the highest standard of product quality and performance. Care should be taken to ensure a long-lasting finish. When cleaning is required, use a soft damp cloth. Using lacquer thinners, caustic soaps, abrasive cleaners or polishes could damage the coating and result in tamishing.

MAINTENANCE

Yale® 8800 Series Mortise Locks are manufactured to be maintenance-free under normal operating conditions and environments. Subjection to extremely heavy traffic and/or particularly dusty and dirty environmental conditions, however, may eventually cause unsatisfactory operation due to slow-moving parts or sticking cylinders. In this case, it may be necessary to clean and re-lubricate the lockset to maintain optimum performance. To clean the lockset mechanism, use a penetrating or solvent type lubricant to loosen sticking components, then lubricate with lithium grease. To free sticking or jammed cylinders, lubricate with graphite or a non-oily lubricant (such as Lock-EZE). Do not use petroleum-based lubricants in the cylinder keyway.

lockbody assemblies

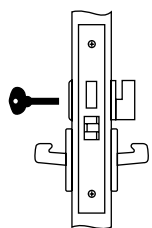
8801



Passage or Closet Latch
F01

Model Number:*	Used with:
LBDY8801	Knobs
LBDY8801FL	Standard Levers
LBDYSL8801	SL Levers
LBDY8801RL	Reflections® Levers (shipped before Oct. 2011)
LBDY8801FL	Reflections® Levers (shipped after Oct. 2011)

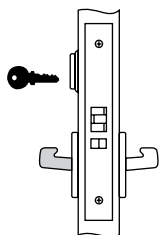
8802



Privacy, Bedroom
or Bath Lock
F19

Model Number:*	Used with:
LBDY8802	Knobs
LBDY8802FL	Standard Levers
LBDYSL8802	SL Levers
LBDY8802RL	Reflections® Levers (shipped before Oct. 2011)
LBDY8802FL	Reflections® Levers (shipped after Oct. 2011)

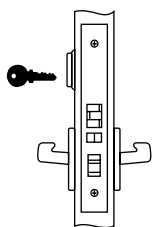
8805



Storeroom or
Closet Lock
F07

Model Number:*	Used with:
LBDY8805	Knobs
LBDY8805FL	Standard Levers
LBDYSL8805	SL Levers
LBDY8805RL	Reflections® Levers (shipped before Oct. 2011)
LBDY8805FL	Reflections® Levers (shipped after Oct. 2011)

8807



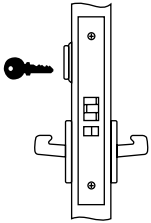
Entry Lock
F04

Model Number:*	Used with:
LBDY8807	Knobs
LBDY8807FL	Standard Levers
LBDYSL8807	SL Levers
LBDY8807RL	Reflections® Levers (shipped before Oct. 2011)
LBDY8807FL	Reflections® Levers (shipped after Oct. 2011)

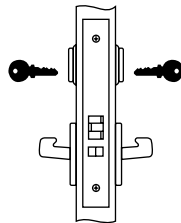
* Specify finish. Includes armor front and strike pack.

lockbody assemblies

8808/8808-2



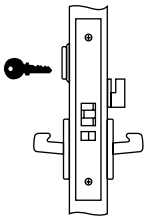
Classroom Lock
F05



Intruder Latchbolt Lock
F32

Model Number:*	Used with:
LBDY8808	Knobs
LBDY8808FL	Standard Levers
LBDYSL8808	SL Levers
LBDY8808RL	Reflections® Levers (shipped before Oct. 2011)
LBDY8808FL	Reflections® Levers (shipped after Oct. 2011)

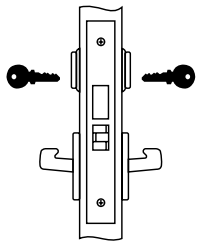
8809



Classroom or
Office Lock

Model Number:*	Used with:
LBDY8809	Knobs
LBDY8809FL	Standard Levers
LBDYSL8809	SL Levers
LBDY8809RL	Reflections® Levers (shipped before Oct. 2011)
LBDY8809FL	Reflections® Levers (shipped after Oct. 2011)

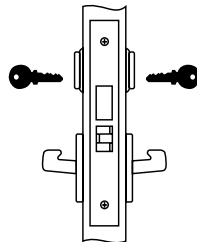
8811-2



Intruder Deadbolt Lock
F33

Model Number:*	Used with:
LBDY8811	Knobs
LBDY8811FL	Standard Levers
LBDYSL8811	SL Levers
LBDY8811RL	Reflections® Levers (shipped before Oct. 2011)
LBDY8811FL	Reflections® Levers (shipped after Oct. 2011)

8812-2



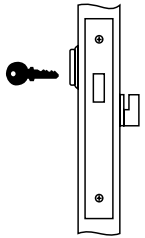
Intruder Deadbolt Lock
F34

Model Number:*	Used with:
LBDY8812	Knobs
LBDY8812FL	Standard Levers
LBDYSL8812	SL Levers
LBDY8812RL	Reflections® Levers (shipped before Oct. 2011)
LBDY8812FL	Reflections® Levers (shipped after Oct. 2011)

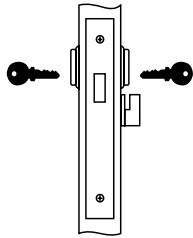
* Specify finish. Includes armor front and strike pack.

lockbody assemblies

8813ST/8813ST-2



Classroom Deadlock
F29

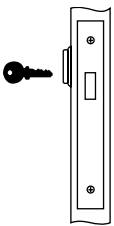


Classroom Deadlock

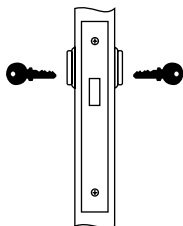
Model Number:*

LBDY8813

8814/8814-2



Deadlock
F18

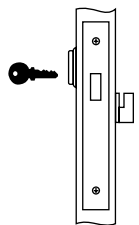


Deadlock
F16

Model Number:*

LBDY8814

8815

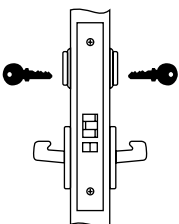


Deadlock
F17

Model Number:*

LBDY8815

8817-2



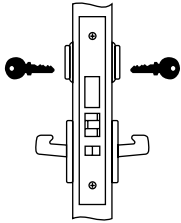
Apartment, Exit or
Public Toilet Lock
F09

Model Number:*	Used with:
LBDY8817	Knobs
LBDY8817FL	Standard Levers
LBDYSL8817	SL Levers
LBDY8817RL	Reflections® Levers (shipped before Oct. 2011)
LBDY8817FL	Reflections® Levers (shipped after Oct. 2011)

* Specify finish. Includes armor front and strike pack.

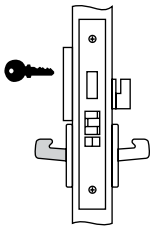
lockbody assemblies

8818-2


 Classroom Security
Intruder Lock

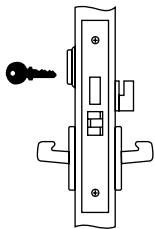
Model Number:*	Used with:
LBDY8818	Knobs
LBDY8818FL	Standard Levers
LBDYSL8818	SL Levers
LBDY8818RL	Reflections® Levers (shipped before Oct. 2011)
LBDY8818FL	Reflections® Levers (shipped after Oct. 2011)

8820


 Hotel Guest Lock
F15

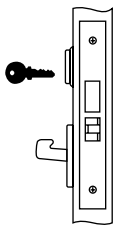
Model Number:*	Used with:
LBDY8820	Knob
LBDY8820FL	Standard Lever
LBDYSL8820	SL Lever
LBDY8820RL	Reflections® Levers (shipped before Oct. 2011)
LBDY8820FL	Reflections® Levers (shipped after Oct. 2011)

8822


 Dormitory or Exit Lock
F13

Model Number:*	Used with:
LBDY8822	Knobs
LBDY8822FL	Standard Levers
LBDYSL8822	SL Levers
LBDY8822RL	Reflections® Levers (shipped before Oct. 2011)
LBDY8822FL	Reflections® Levers (shipped after Oct. 2011)

8823



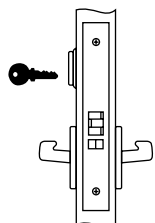
Storeroom Lock

Model Number:*	Used with:
LBDY8823	Knob
LBDY8823FL	Standard Lever
LBDYSL8823	SL Lever
LBDY8823RL	Reflections® Levers (shipped before Oct. 2011)
LBDY8823FL	Reflections® Levers (shipped after Oct. 2011)

* Specify finish. Includes armor front and strike pack.

lockbody assemblies

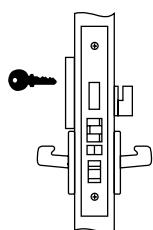
8824



Holdback Lock
F06

Model Number:*	Used with:
LBDY8824	Knob
LBDY8824FL	Standard Lever
LBDYSL8824	SL Lever
LBDY8824RL	Reflections® Levers (shipped before Oct. 2011)
LBDY8824FL	Reflections® Levers (shipped after Oct. 2011)

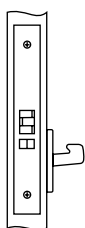
8827



Hotel/Motel Lock

Model Number:*	Used with:
LBDY8827	Knobs
LBDY8827FL	Standard Levers
LBDYSL8827	SL Levers
LBDY8827RL	Reflections® Levers (shipped before Oct. 2011)
LBDY8827FL	Reflections® Levers (shipped after Oct. 2011)

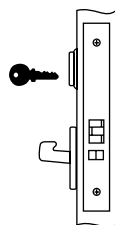
8828



Exit or Communicating Lock
F31

Model Number:*	Used with:
LBDY8828	Knob
LBDY8828FL	Standard Lever
LBDYSL8828	SL Lever
LBDY8828RL	Reflections® Levers (shipped before Oct. 2011)
LBDY8828FL	Reflections® Levers (shipped after Oct. 2011)

8829



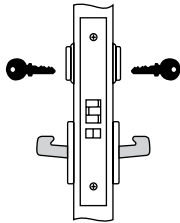
Closet Lock

Model Number:*	Used with:
LBDY8829	Knobs
LBDY8829FL	Standard Levers
LBDYSL8829	SL Levers
LBDY8829RL	Reflections® Levers (shipped before Oct. 2011)
LBDY8829FL	Reflections® Levers (shipped after Oct. 2011)

* Specify finish. Includes armor front and strike pack.

lockbody assemblies

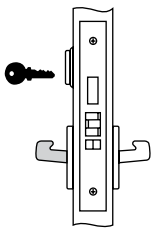
8830-2



Model Number:*	Used with:
LBDY8830	Knobs
LBDY8830FL	Standard Levers
LBDYSL8830	SL Levers
LBDY8830RL	Reflections® Levers (shipped before Oct. 2011)
LBDY8830FL	Reflections® Levers (shipped after Oct. 2011)

Asylum or Institutional Lock
F30

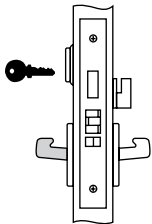
8831



Model Number:*	Used with:
LBDY8831	Knobs
LBDY8831FL	Standard Levers
LBDYSL8831	SL Levers
LBDY8831RL	Reflections® Levers (shipped before Oct. 2011)
LBDY8831FL	Reflections® Levers (shipped after Oct. 2011)

Detention Lock

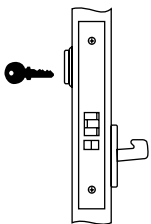
8832



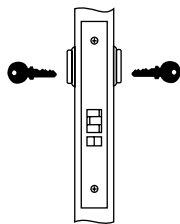
Model Number:*	Used with:
LBDY8832	Knob
LBDY8832FL	Standard Lever
LBDYSL8832	SL Lever
LBDY8832RL	Reflections® Levers (shipped before Oct. 2011)
LBDY8832FL	Reflections® Levers (shipped after Oct. 2011)

Hotel/Motel Lock

8833/8833-2



Exit Lock



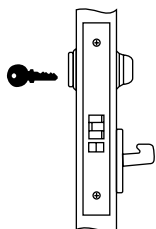
All Purpose Lock

Model Number:*	Used with:
LBDY8833	Knobs
LBDY8833FL	Standard Levers
LBDYSL8833	SL Levers
LBDY8833RL	Reflections® Levers (shipped before Oct. 2011)
LBDY8833FL	Reflections® Levers (shipped after Oct. 2011)

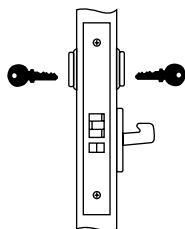
* Specify finish. Includes armor front and strike pack.

lockbody assemblies

8834/8834-2



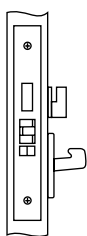
All Purpose Lock



All Purpose Lock

Model Number:*	Used with:
LBDY8834	Knobs
LBDY8834FL	Standard Levers
LBDYSL8834	SL Levers
LBDY8834RL	Reflections® Levers (shipped before Oct. 2011)
LBDY8834FL	Reflections® Levers (shipped after Oct. 2011)

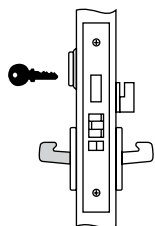
8835



Exit Lock

Model Number:*	Used with:
LBDY8835	Knob
LBDY8835FL	Standard Lever
LBDYSL8835	SL Lever
LBDY8835RL	Reflections® Levers (shipped before Oct. 2011)
LBDY8835FL	Reflections® Levers (shipped after Oct. 2011)

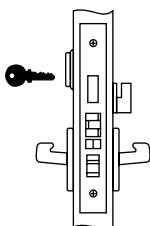
8840



Storeroom Deadbolt

Model Number:*	Used with:
LBDY8840	Knob
LBDY8840FL	Standard Lever
LBDYSL8840	SL Lever
LBDY8840RL	Reflections® Levers (shipped before Oct. 2011)
LBDY8840FL	Reflections® Levers (shipped after Oct. 2011)

8847



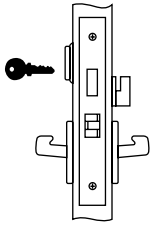
Apartment Corridor Door Lock
F20

Model Number:*	Used with:
LBDY8847	Knobs
LBDY8847FL	Standard Levers
LBDYSL8847	SL Levers
LBDY8847RL	Reflections® Levers (shipped before Oct. 2011)
LBDY8847FL	Reflections® Levers (shipped after Oct. 2011)

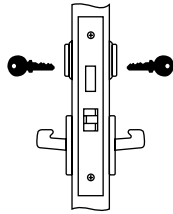
* Specify finish. Includes armor front and strike pack.

lockbody assemblies

8860/8860-2



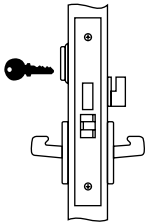
Room Door Lock
F21



Store Door Lock
F14

Model Number:*	Used with:
LBDY8860	Knobs
LBDY8860FL	Standard Levers
LBDYSL8860	SL Levers
LBDY8860RL	Reflections® Levers (shipped before Oct. 2011)
LBDY8860FL	Reflections® Levers (shipped after Oct. 2011)

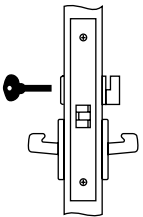
8861



Dormitory or
Storeroom Lock

Model Number:*	Used with:
LBDY8861	Knobs
LBDY8861FL	Standard Levers
LBDYSL8861	SL Levers
LBDY8861RL	Reflections® Levers (shipped before Oct. 2011)
LBDY8861FL	Reflections® Levers (shipped after Oct. 2011)

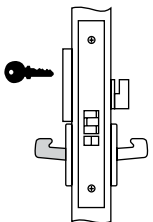
8862



Privacy, Bedroom or
Bath Lock
F22

Model Number:*	Used with:
LBDY8862	Knob
LBDY8862FL	Standard Lever
LBDYSL8862	SL Lever
LBDY8862RL	Reflections® Levers (shipped before Oct. 2011)
LBDY8862FL	Reflections® Levers (shipped after Oct. 2011)

8864



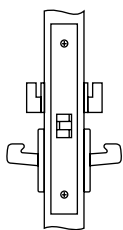
Bathroom Lock
with Indicator

Model Number:*	Used with:
LBDY8864	Knobs
LBDY8864FL	Standard Levers
LBDYSL8864	SL Levers
LBDY8864RL	Reflections® Levers (shipped before Oct. 2011)
LBDY8864FL	Reflections® Levers (shipped after Oct. 2011)

* Specify finish. Includes armor front and strike pack.

lockbody assemblies

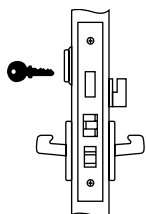
8865



Bathroom Lock

Model Number:*	Used with:
LBDY8865	Knob
LBDY8865FL	Standard Lever
LBDYSL8865	SL Lever
LBDY8865RL	Reflections® Levers (shipped before Oct. 2011)
LBDY8865FL	Reflections® Levers (shipped after Oct. 2011)

8867



Dormitory or Exit Lock
F12

Model Number:*	Used with:
LBDY8867	Knobs
LBDY8867FL	Standard Levers
LBDYSL8867	SL Levers
LBDY8867RL	Reflections® Levers (shipped before Oct. 2011)
LBDY8867FL	Reflections® Levers (shipped after Oct. 2011)

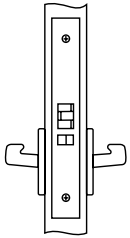
* Specify finish. Includes armor front and strike pack.



lockbody assemblies - electrified

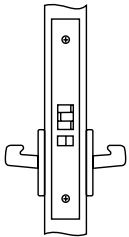
fail safe

8880



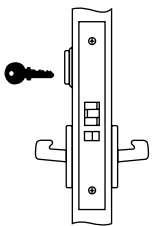
Model Number:*	Used with:
LBDY8880	Knobs
LBDY8880FL	Standard Levers
LBDY8880RL	Reflections® Levers (shipped before Oct. 2011)
LBDY8880FL	Reflections® Levers (shipped after Oct. 2011)

8884



Model Number:*	Used with:
LBDY8884	Knobs
LBDY8884FL	Standard Levers
LBDY8884RL	Reflections® Levers (shipped before Oct. 2011)
LBDY8884FL	Reflections® Levers (shipped after Oct. 2011)

8890



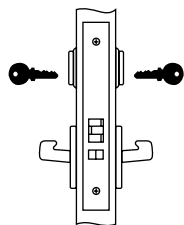
Model Number:*	Used with:
LBDY8890	Knobs
LBDY8890FL	Standard Levers
LBDY8890RL	Reflections® Levers (shipped before Oct. 2011)
LBDY8890FL	Reflections® Levers (shipped after Oct. 2011)

*Specify finish, voltage and options. Includes armor front and strike pack.

lockbody assemblies - electrified

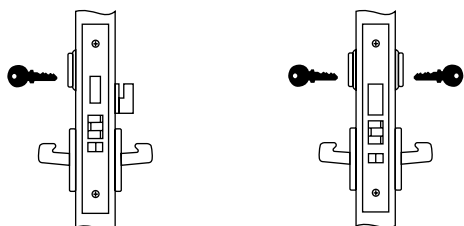
fail safe

8894-2



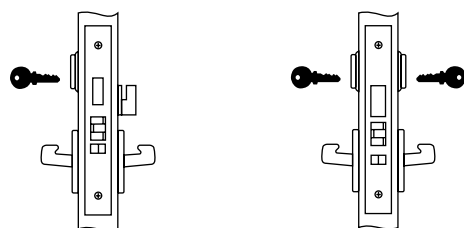
Model Number:*	Used with:
LBDY8894	Knobs
LBDY8894FL	Standard Levers
LBDY8894RL	Reflections® Levers (shipped before Oct. 2011)
LBDY8894FL	Reflections® Levers (shipped after Oct. 2011)

8896/8896-2



Model Number:*	Used with:
LBDY8896	Knob
LBDY8896FL	Standard Lever
LBDY8896RL	Reflections® Levers (shipped before Oct. 2011)
LBDY8896FL	Reflections® Levers (shipped after Oct. 2011)

8898/8898-2



Model Number:*	Used with:
LBDY8898	Knob
LBDY8898FL	Standard Lever
LBDY8898RL	Reflections® Levers (shipped before Oct. 2011)
LBDY8898FL	Reflections® Levers (shipped after Oct. 2011)

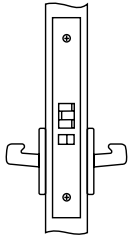
*Specify finish, voltage and options. Includes armor front and strike pack.



lockbody assemblies - electrified

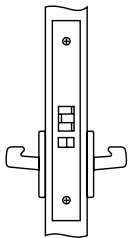
fail secure

8881



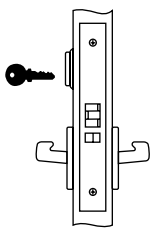
Model Number:*	Used with:
LBDY8881	Knobs
LBDY8881FL	Standard Levers
LBDY8881RL	Reflections® Levers (shipped before Oct. 2011)
LBDY8881FL	Reflections® Levers (shipped after Oct. 2011)

8885



Model Number:*	Used with:
LBDY8885	Knobs
LBDY8885FL	Standard Levers
LBDY8885RL	Reflections® Levers (shipped before Oct. 2011)
LBDY8885FL	Reflections® Levers (shipped after Oct. 2011)

8891



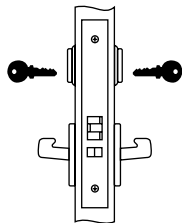
Model Number:*	Used with:
LBDY8891	Knobs
LBDY8891FL	Standard Levers
LBDY8891RL	Reflections® Levers (shipped before Oct. 2011)
LBDY8891FL	Reflections® Levers (shipped after Oct. 2011)

*Specify finish, voltage and options. Includes armor front and strike pack.

lockbody assemblies - electrified

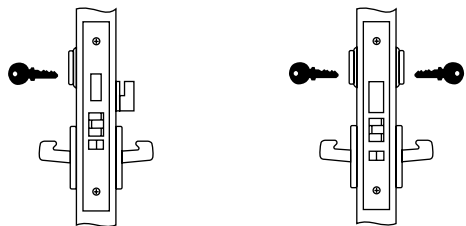
fail secure

8895-2



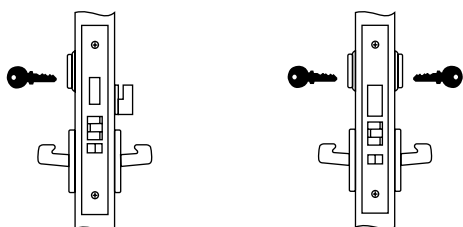
Model Number:*	Used with:
LBDY8895	Knobs
LBDY8895FL	Standard Levers
LBDY8895RL	Reflections® Levers (shipped before Oct. 2011)
LBDY8895FL	Reflections® Levers (shipped after Oct. 2011)

8897/8897-2



Model Number:*	Used with:
LBDY8897	Knob
LBDY8897FL	Standard Lever
LBDY8897RL	Reflections® Levers (shipped before Oct. 2011)
LBDY8897FL	Reflections® Levers (shipped after Oct. 2011)

8899/8899-2



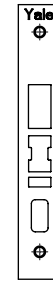
Model Number:*	Used with:
LBDY8899	Knob
LBDY8899FL	Standard Lever
LBDY8899RL	Reflections® Levers (shipped before Oct. 2011)
LBDY8899FL	Reflections® Levers (shipped after Oct. 2011)

*Specify finish, voltage and options. Includes armor front and strike pack.

armor fronts and strikes

armor fronts

Part Number Shipped Between March 2012 and August 2014	Part Number Shipped After August 2014	Lock Function/Description
50-8801-X119	50-8801-X219	8801, 8862, 8865
50-8802-X119	50-8802-X219	8802, 8811, 8822, 8823, 8861
50-8805-X119	50-8805-X219	8805, 8808, 8809, 8817, 8824, 8828, 8829, 8830, 8833, 8834, 8834-2, 8864, 8880, 8881, 8884, 8885, 8890, 8891, 8894-2, 8895-2
50-8807-X119	50-8807-X219	8807
50-8813-X119	50-8813-X219	8813, 8814, 8815
50-8820-X119	50-8820-X219	8812, 8818, 8820, 8831, 8832, 8835, 8860, 8896, 8896-2, 8897, 8897-2, 8898, 8898-2, 8899, 8899-2
50-8847-X119	50-8847-X219	8827, 8847
50-8867-X119	50-8867-X219	8867
81-00X2-0404	81-00X2-0404	Armor Front Screw



Armor Front Shipped Between March 2012 and August 2014



Armor Front Shipped After August 2014

Note: Limited quantities of armor fronts available for mortise locks shipped prior to March 2012. Contact factory for more information.

strikes

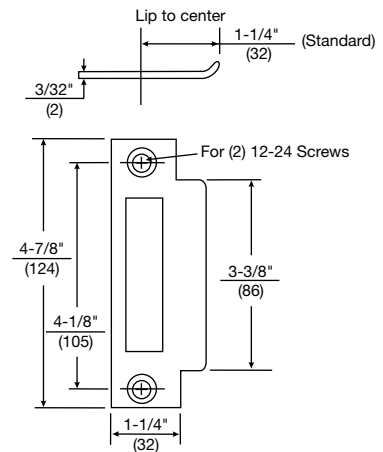
Part Number	Description	Part Number	Description
50-8800-X023-FIN	1-1/4" Curved Lip (standard)	50-8800-X027-FIN	2-1/4" Curved Lip
50-8800-X022-FIN	1-1/8" Curved Lip	50-2816-X001-FIN	7/8" Flat Lip
50-8800-X065-FIN	1-3/8" Curved Lip	50-2816-X002-FIN	1" Flat Lip
50-8800-X024-FIN	1-1/2" Curved Lip	50-2816-X003-FIN	1-1/8" Flat Lip
50-8800-X066-FIN	1-5/8" Curved Lip	50-2816-X004-FIN	1-1/4" Flat Lip
50-8800-X025-FIN	1-3/4" Curved Lip	50-2816-X005-FIN	1-1/2" Flat Lip
50-8800-X067-FIN	1-7/8" Curved Lip	50-2816-X006-FIN	1-3/4" Flat Lip
50-8800-X026-FIN	2" Curved Lip	50-2816-X007-FIN	2" Flat Lip
50-8800-X068-FIN	2-1/8" Curved Lip	50-2816-X008-FIN	2-1/4" Flat Lip
		50-2816-X009-FIN	2-1/2" Flat Lip

For "X" in part number, specify finish required:

- For 605, 606, 609, 611, 612, 613, 616, 618, 619, 620, 625, 626, 693 or 722 substitute "X" with "2"

- For 629 or 630 substitute "X" with "7"

Example = 50-8847-7219 would be used for an 8847 mortise lock in 630 finish.



armor front & strike packs

Part Number Used with Product Shipped Between March 2012 and August 2014	Part Number Used with Product Shipped After August 2014	Lock Function
50-0010-8801-FIN	50-0020-8801-FIN	8801, 8862, 8865
50-0010-8802-FIN	50-0020-8802-FIN	8802, 8811, 8822, 8823, 8860, 8861
50-0010-8805-FIN	50-0020-8805-FIN	8805, 8808, 8809, 8817, 8824, 8828, 8829, 8830, 8833, 8834, 8834-2, 8864, 8880, 8881, 8884, 8885, 8890, 8891, 8894-2, 8895-2
50-0010-8807-FIN	50-0020-8807-FIN	8807
50-0010-8813-FIN	50-0020-8813-FIN	8813, 8814, 8815
50-0010-8820-FIN	50-0020-8820-FIN	8812, 8818, 8820, 8831, 8832, 8835, 8860, 8896, 8896-2, 8897, 8897-2, 8898, 8898-2, 8899, 8899-2
50-0010-8847-FIN	50-0020-8847-FIN	8827, 8847
50-0010-8867-FIN	50-0020-8867-FIN	8867

trim: standard lever/knob and Reflections® lever with rose

For standard lever/knobs shipped after February 2012.

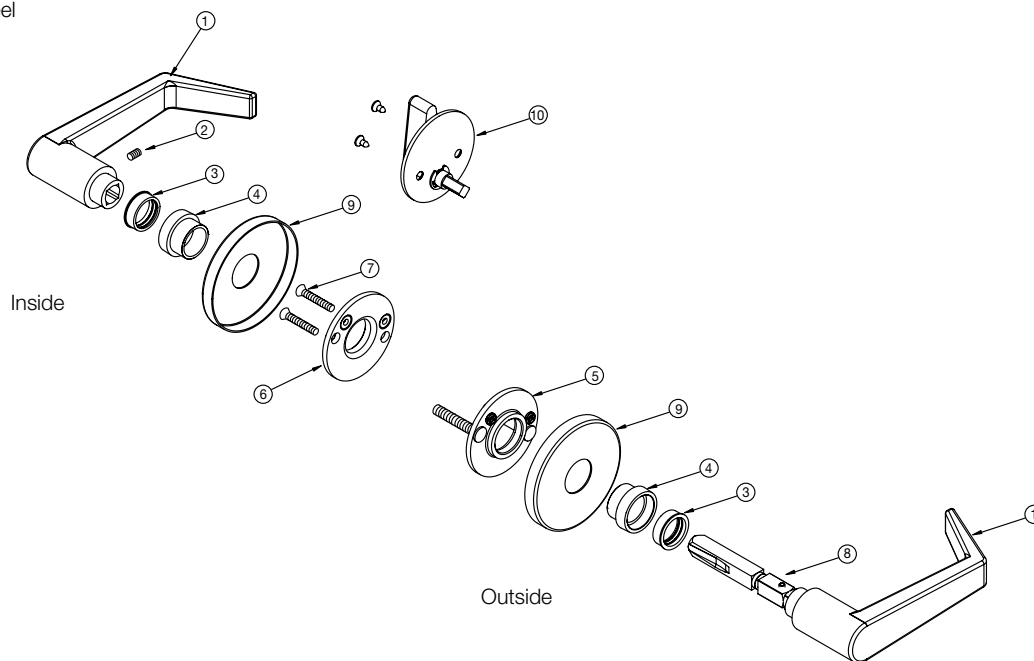
For Reflections® levers shipped after October 2011.

Item	Part Number	Description	Quantity
1	See Page 26	Levers/Knobs	2
2	81-6619-2896-999	Set Screw	1
3	10-0086-9038-999	Nylon Bushing	1
4	10-0502-2004-FIN	Rose Thimble Adapter for Standard Trim	2
5	50-0506-0902-048	Outside Mounting Plate Assembly	1
6	50-0505-0902-048	Inside Mounting Plate Assembly	1
7	81-0611-0420-999	Mounting Screw (1-3/4" door) Std.	2
7	81-0013-0424-048	Mounting Screw (2" - 2-1/4" door)	2
7	81-0013-0428-999	Mounting Screw (2-1/4" - 2-3/4" door)	2
8	50-1178-0001-048	Spindle Assembly (1-3/4" door) Std.	1
8	50-1178-0002-048	Spindle Assembly (2" - 2-1/4" door)	1
8	50-1178-0003-048	Spindle Assembly (2-1/4" - 3-1/4" door)	1
9	10-0501-2002-FIN	CO Rose Scalp (Outside and Inside)	2
10	50-1824-0014-FIN	Thumbturn and Plate Assembly (1-3/4" to 2-1/4" door)	1
10	50-1824-0021-FIN	Thumbturn and Plate Assembly (2-1/4" to 3-1/4" door)	1
Not Shown	50-8403-x001-FIN*	R3 Rose Scalp (Outside or Inside)	2
Not Shown	50-8404-x001-FIN*	R4 Rose Scalp (Outside or Inside)	2
Not Shown	50-8405-x001-FIN*	R5 Rose Scalp (Outside or Inside)	2
Not Shown	50-8406-x001-FIN*	R6 Rose Scalp (Outside or Inside)	2
Not Shown	50-8407-x001-FIN*	R7 Rose Scalp (Outside or Inside)	2
Not Shown	50-8408-x001-FIN*	R8 Rose Scalp (Outside or Inside)	2
Not Shown	99-9999-3979-023	Spindle Pin	1
Not Shown	50-1198-0007-048	Hook Spindle for Single Sided Trim	1
Not Shown	50-1824-0030-FIN	Designer Thumbturn Assembly (1-3/4" door)	1
Not Shown	50-1824-1125-048	Designer Thumbturn Mounting Plate	1
Not Shown	81-9400-0041-033	Designer Thumbturn Screw Pack	1
Not Shown	50-4602-0037-FIN	Designer Coin Turn	1

* = X in 3rd set of numbers is the base material designation

2 = Brass

7 = Steel



trim: standard lever and knob with rose

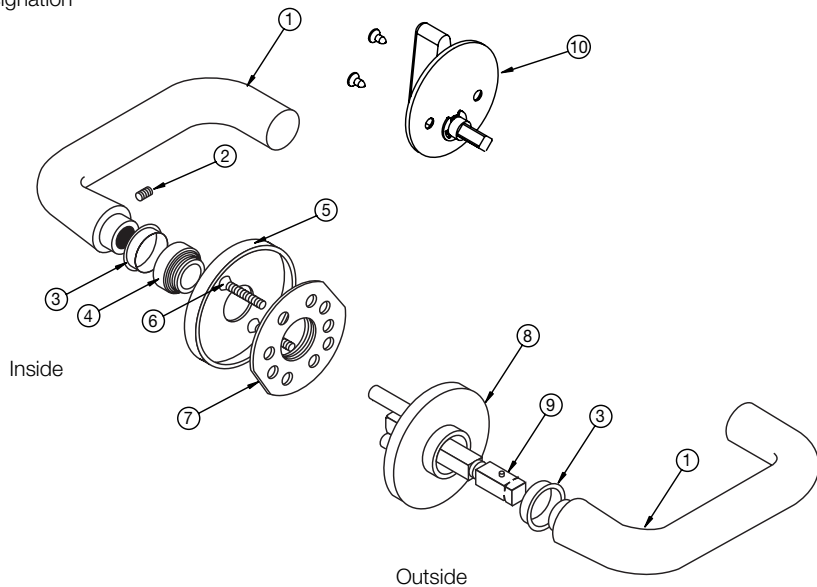
For products shipped prior to February 2012.

Item	Part Number	Description	Quantity
1	See Page 26	Levers/Knobs	2
2	81-6619-2896-999	Set Screw	1
3	10-0086-9038-999	Nylon Bushing	2
4	10-0501-x003-FIN*	Inside Rose Adaptor	1
5	10-0501-x001-FIN*	Inside Rose Scalp	1
6	81-0611-0420-048	Mounting Screw (1-3/4" door) Std.	2
6	81-0013-0424-048	Mounting Screw (2" - 2-1/4" door)	2
6	81-0013-0428-999	Mounting Screw (2-1/4" - 2-3/4" door)	2
7	50-0505-1001-048	Inside Mounting Plate	1
8	50-0506-0010-FIN	Outside Rose Assembly	1
9	50-1178-0001-048	Spindle Assembly (1-3/4" door) Std.	1
9	50-1178-0002-048	Spindle Assembly (2" - 2-1/4" door)	1
9	50-1178-0003-048	Spindle Assembly (2-1/4" - 3-1/4" door)	1
10	50-1824-0014-FIN	Thumbturn and Plate Assembly (1-3/4" to 2-1/4" door)	1
10	50-1824-0021-FIN	Thumbturn and Plate Assembly (2-1/4" to 3-1/4" door)	1
Not Shown	99-9999-3979-023	Spindle Pin	1
Not Shown	10-0086-9037-999	R1/R2 Nylon Bushing	2
Not Shown	10-0087-2145-000	R1/R2 Inside Rose Adaptor	1
Not Shown	50-0505-1001-048	R1/R2 Inside Rose Support	1
Not Shown	50-0505-2023-FIN	R1 Designer Rose Scalp	1
Not Shown	50-0505-2024-FIN	R2 Designer Rose Scalp	1
Not Shown	50-8700-0016-048	R1/R2 Outside Rose Support Assembly	1
Not Shown	81-9400-0049-048	R1/R2 Through Bolt Screw Pack	1
Not Shown	50-4602-0037-FIN	Designer Emergency Release	1
Not Shown	50-1824-0030-FIN	Designer Thumbturn Assembly (1-3/4" door)	1
Not Shown	50-1824-1125-048	Designer Thumbturn Mounting Plate	1
Not Shown	81-9400-0041-033	Designer Thumbturn Screw Pack	1

* = X in 3rd set of numbers is the base material designation

2 = Brass

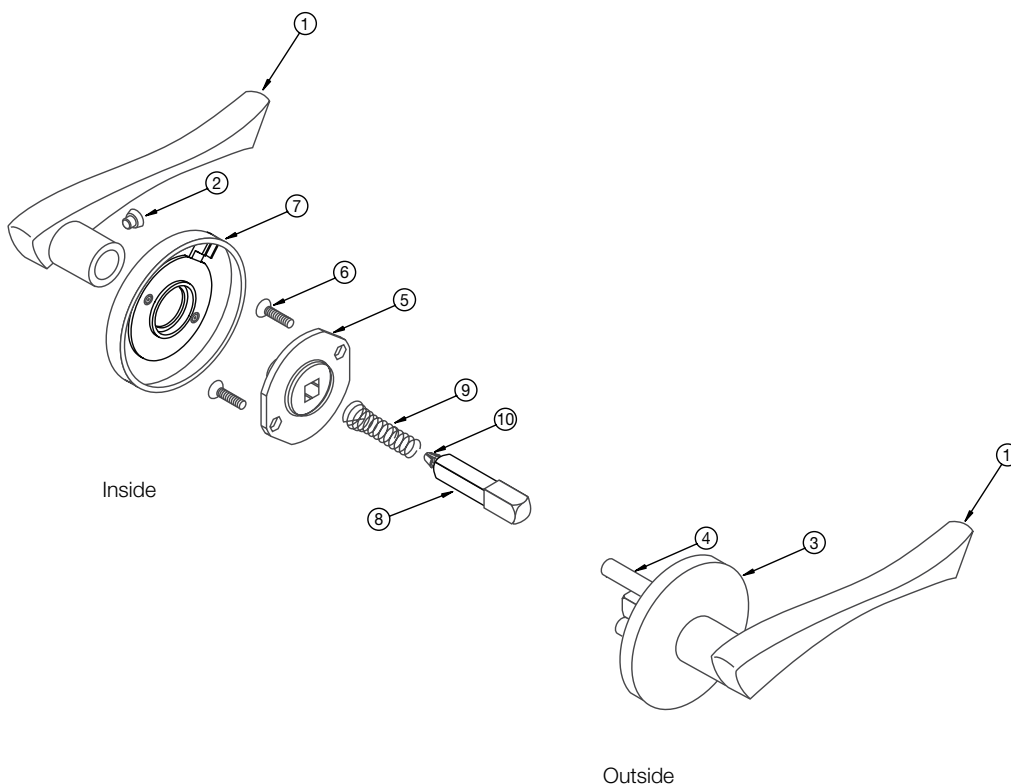
7 = Steel



trim: Reflections® lever with rose

For products shipped prior to October 2011.

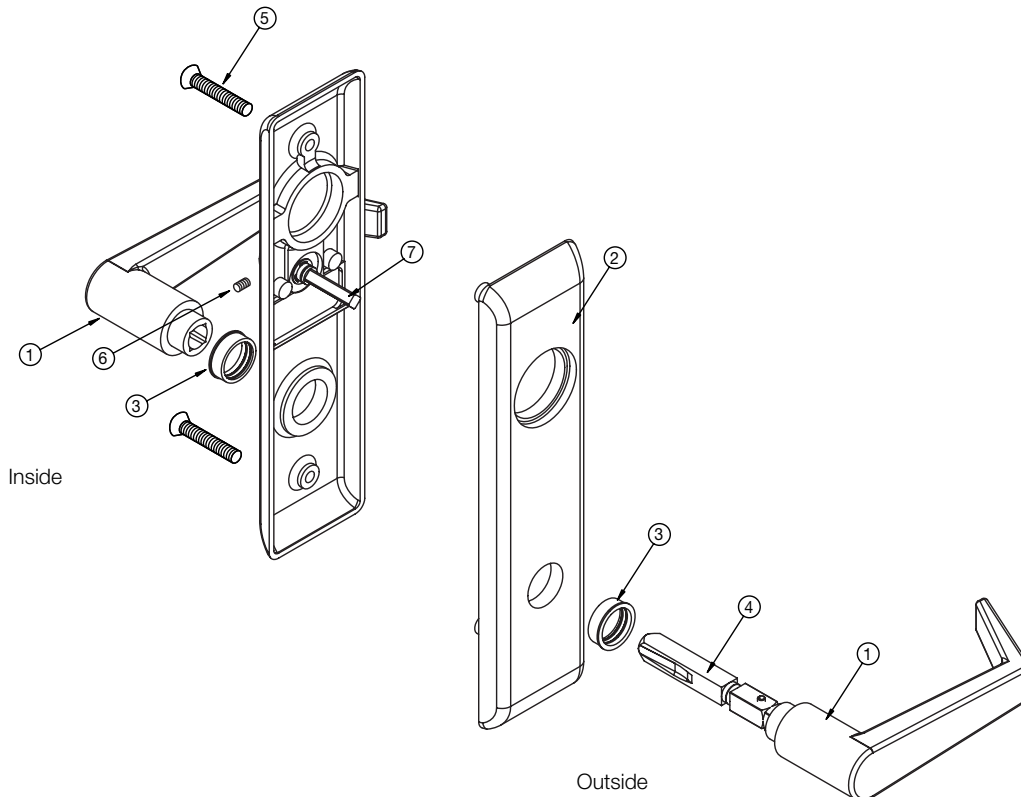
Item	Part Number	Description	Quantity
1	See Page 26	Levers	2
2	Not Available	Set Screw	1
3	Not Available	Outside Mounting Plate Assembly	1
4	Not Available	Outside Mounting Post	2
5	Not Available	Inside Mounting Plate Assembly	1
6	Not Available	Mounting Screw (1-3/4" - 2-1/4" door)	2
7	Not Available	R3 Rose Assembly	2
Not Shown	Not Available	R4 Rose Assembly	2
Not Shown	Not Available	R5 Rose Assembly	2
Not Shown	Not Available	R6 Rose Assembly	2
Not Shown	Not Available	R7 Rose Assembly	2
Not Shown	Not Available	R8 Rose Assembly	2
8	Not Available	Spindle	2
9	Not Available	Spindle Spring	2
10	Not Available	Spindle Anchor	2
Not Shown	Not Available	Designer Thumbturn Assembly (1-3/4" door)	1
Not Shown	Not Available	Thumbturn Mounting Plate	1
Not Shown	Not Available	Thumbturn Screw Pack	1



trim: standard lever/knob and Reflections® lever with escutcheon

For all standard lever/knobs with escutcheon.
 For Reflections® levers shipped after October 1, 2011.

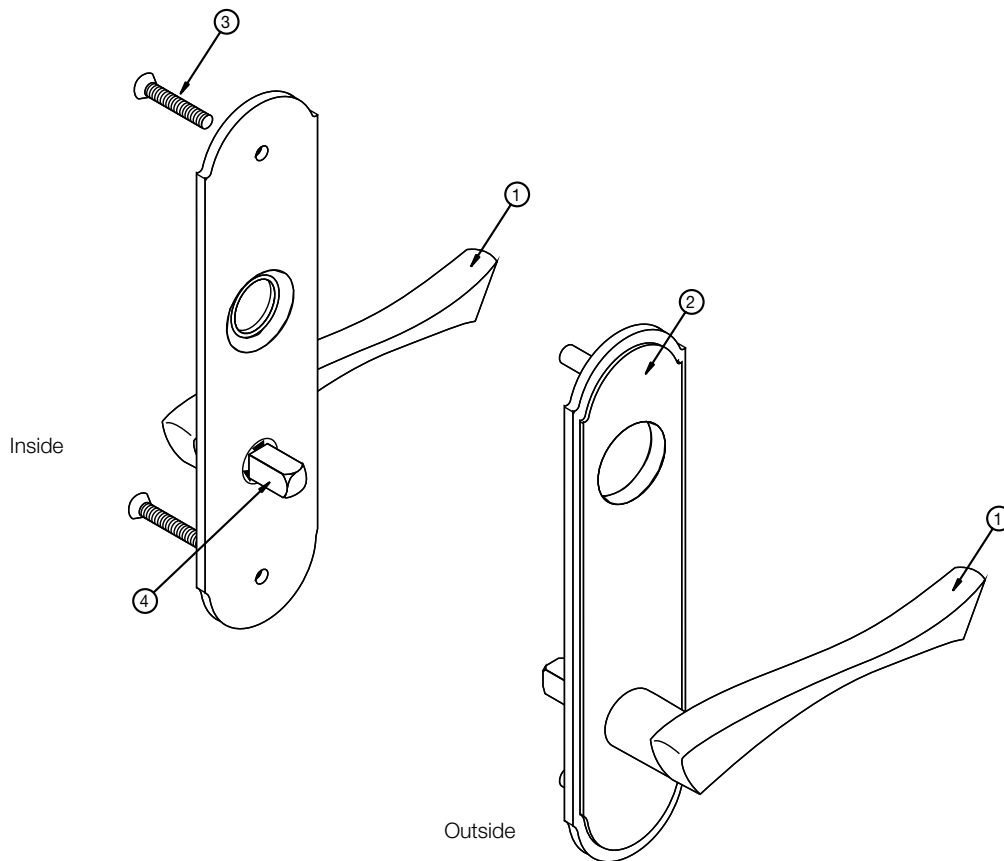
Item	Part Number	Description	Quantity
1	See Page 26	Levers/Knobs	2
2	See Page 27	Escutcheon Plates	2
3	10-0086-9038-999	Nylon Bushing	2
4	50-1178-0001-048	Spindle Assembly (1-3/4" door)	1
4	50-1178-0002-048	Spindle Assembly (2" - 2-1/4" door)	1
4	50-1178-0003-048	Spindle Assembly (3" - 3-3/4" door)	1
5	50-4601-7176-FIN	Escutcheon Plate Screw (1-3/4" - 2-1/4" door)	2
5	50-4601-7178-FIN	Escutcheon Plate Screw (2-1/4" - 2-3/4" door)	1
5	50-4601-7180-FIN	Escutcheon Plate Screw (2-3/4" - 3-1/4" door)	1
6	81-6619-2896-999	Set Screw	1
7	50-1824-6009-FIN	Thumbturn - CN (1-3/4" - 2" door)	1
7	50-1824-6008-FIN	Thumbturn - CN (2" - 3-1/4" door)	1
Not Shown	50-1824-6000-FIN	Thumbturn Assembly E3/E4 (1-3/4" door)	1
Not Shown	50-1824-6002-FIN	Thumbturn Assembly - E3/E4 (2" - 2-1/4" door)	1
Not Shown	50-1824-6001-FIN	Thumbturn Assembly - E3/E4 (2-1/2" - 3-1/4" door)	1
Not Shown	99-9999-3979-999	Spindle Pin	1



trim: Reflections® lever with escutcheons

For Reflections® levers shipped prior to October 2011.

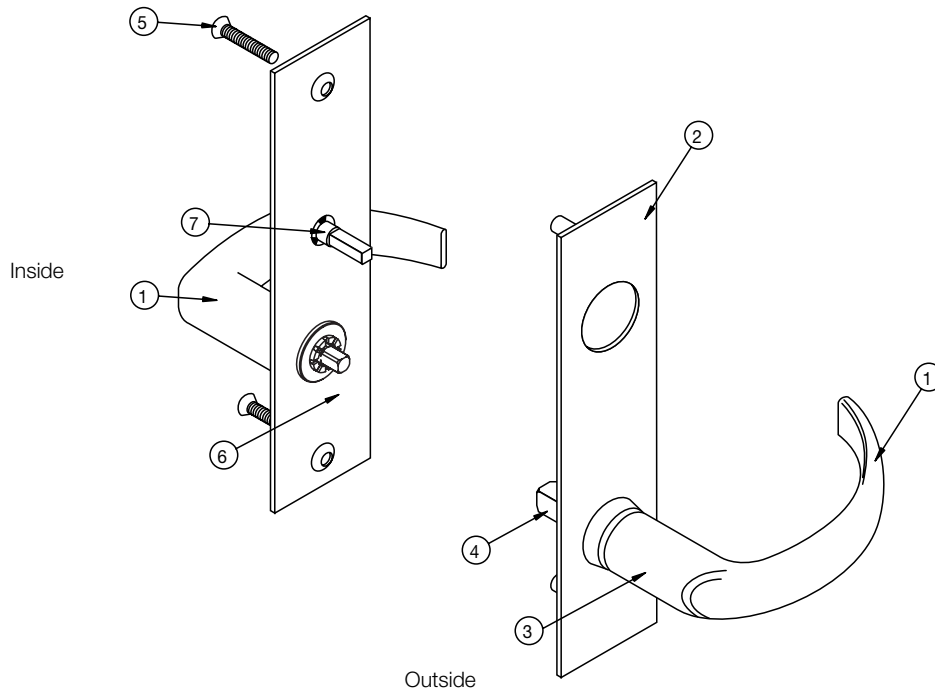
Item	Part Number	Description	Quantity
1	See Page 26	Levers	2
2	See Page 27	E3/E4 Escutcheon Plates	2
3	Not Available	Escutcheon Plate Screw (1-3/4" - 2-1/4" door)	2
3	Not Available	Escutcheon Plate Screw (2-1/4" door)	2
4	Not Available	Spindle Assembly (1-3/4" - 2-1/4" door)	2
Not Shown	Not Available	Outside Mounting Plate	1
Not Shown	Not Available	Inside Mounting Plate	1
Not Shown	Not Available	Spindle Spring	2
Not Shown	Not Available	Spindle Bushing	1
Not Shown	Not Available	Set Screw	1
Not Shown	Not Available	Thumbturn Assembly - E3/E4 (1-3/4" door)	1
Not Shown	Not Available	Thumbturn Assembly - E3/E4 (2" - 2-1/4" door)	1
Not Shown	Not Available	Thumbturn Assembly - E3/E4 (2-1/2" - 3-1/4" door)	1



trim: lever with SL escutcheon

For all products.

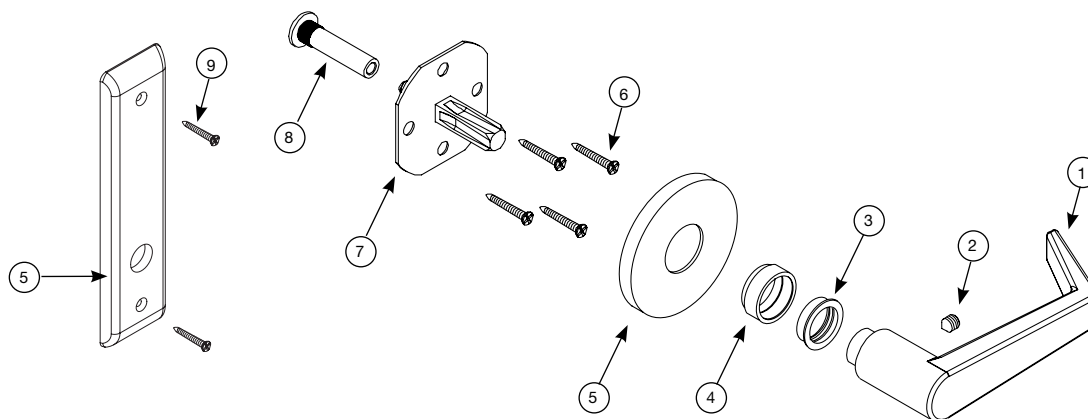
Item	Part Number	Description	Quantity
1	See Page 26	Levers	2
2	See Page 27	SL Escutcheon Plates	2
3	10-0086-9038-999	Nylon Bushing	2
4	50-8700-1015-048	Spindle Assembly (1-3/4" door)	2
4	50-8700-1016-048	Spindle Assembly (1-7/8" - 2" door)	2
4	50-8700-1017-048	Spindle Assembly (2-1/8" - 2-1/4" door)	2
4	50-8700-1060-048	Spindle Assembly (2-1/2" - 2-3/4" door)	2
4	50-8700-1061-048	Spindle Assembly (2-7/8" - 3-1/8" door)	2
4	50-8700-1062-048	Spindle Assembly (3-1/4" door)	2
5	50-4601-7162-999	Escutcheon Plate Screw (1-3/4" door)	2
5	50-4601-7163-999	Escutcheon Plate Screw (2" door)	2
5	50-4601-7164-999	Escutcheon Plate Screw (2-1/4" door)	2
5	50-4601-7166-999	Escutcheon Plate Screw (2-1/2" - 2-3/4" door)	2
5	50-4601-7167-999	Escutcheon Plate Screw (3" door)	2
5	50-4601-7168-999	Escutcheon Plate Screw (3-1/4" door)	2
6	50-8700-1920-048	Security Castle Nut/Washer	2
7	50-1824-6009-FIN	Thumbturn Assembly - SL (1-3/4" - 2" door)	1
7	50-1824-6008-FIN	Thumbturn Assembly - SL (2" - 3-1/4" door)	1
Not Shown	99-9958-0048-999	Cotter Pin	2



trim: lever and knob single-sided dummy trim with standard CO rose or CN escutcheon

For all products.

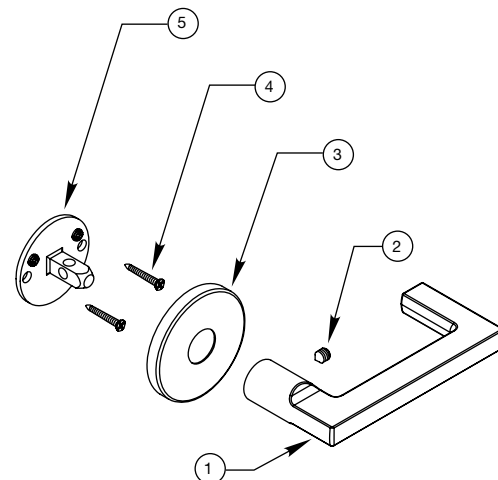
Item	Part Number	Description	Quantity
1	See Page 26	Lever/Knob	1
2	81-6619-2896-999	Set Screw	1
3	10-0086-9038-999	Nylon Bushing	1
4	10-0501-x003-FIN	Rose Adapter (with rose only)	1
5	10-0501-2001-FIN	Rose	1
5	CN87x201	Escutcheon	1
6	81-3112-0526-036	Sheet Metal Screw	4
7	50-1424-0003-048	Dummy Spindle Assembly	1
8	60-7000-2137-FIN	Sex Nut	1
9	81-3173-0520-FIN	Escutcheon Mounting Screw	2



trim: lever single-sided dummy trim with Reflections® roses

For all products.

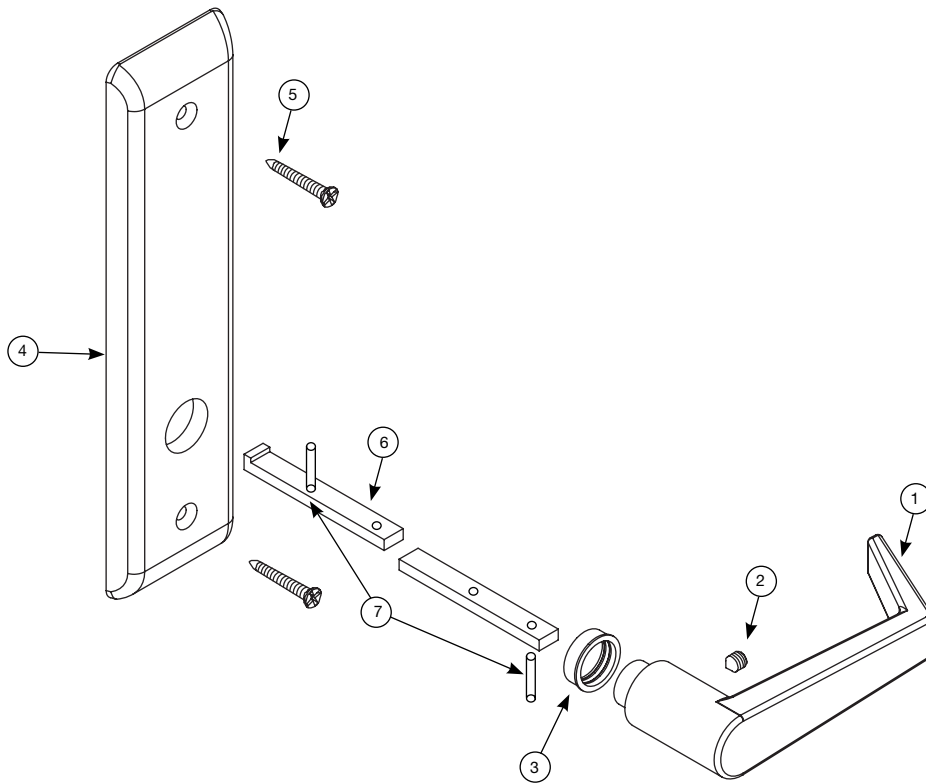
Item	Part Number	Description	Quantity
1	See Page 26	Lever/Knob	1
2	81-6619-2896-999	Set Screw	1
3	50-8403-x001-FIN	R3 Rose Scalp	1
Not Shown	50-8404-x001-FIN	R4 Rose Scalp	
Not Shown	50-8405-x001-FIN	R5 Rose Scalp	
Not Shown	50-8406-x001-FIN	R6 Rose Scalp	
Not Shown	50-8407-x001-FIN	R7 Rose Scalp	
Not Shown	50-8408-x001-FIN	R8 Rose Scalp	
4	81-3112-0526-036	Sheet Metal Screw	4
5	DL-2052	Dummy Spindle Assembly	1



trim: lever and knob single-sided active trim with escutcheon

For all products.

Item	Part Number	Description	Quantity
1	See Page 26	Lever/Knob	1
2	81-6619-2896-999	Set Screw	1
3	10-0086-9038-999	Nylon Bushing	1
4	See Page 27	Escutcheon Plate (spacing number 201)	1
5	81-3173-0520-FIN	Mounting Screw	2
6	50-1198-0007-048	Hook Spindle	1
7	99-9999-3990-999	.094 x .250 Rollpin	2



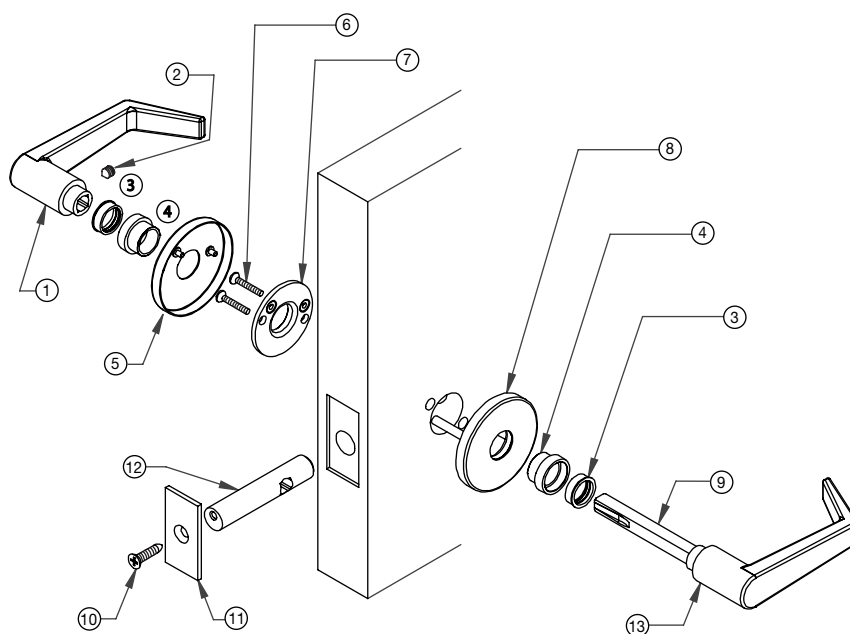
trim: lever and knob double sided dummy trim with rose or escutcheon

Item	Part Number	Description	Quantity
1	See Page 26	Levers/ Knobs	2
2	81-6619-2896-999	Set Screw	1
3	10-0086-9038-999	Nylon Bushing	2
4	10-0502-2004-FIN	Rose Thimble Adapter	2
5	10-0501-x002-FIN*	CO Rose Scalp (Outside or Inside)	2
Not Shown	50-8403-x001-FIN*	R3 Rose Scalp (Outside or Inside)	2
Not Shown	50-8404-x001-FIN*	R4 Rose Scalp (Outside or Inside)	2
Not Shown	50-8405-x001-FIN*	R5 Rose Scalp (Outside or Inside)	2
Not Shown	50-8406-x001-FIN*	R6 Rose Scalp (Outside or Inside)	2
Not Shown	50-8407-x001-FIN*	R7 Rose Scalp (Outside or Inside)	2
Not Shown	50-8408-x001-FIN*	R8 Rose Scalp (Outside or Inside)	2
6	81-0611-0420-999	Mounting Screws (1-3/4" door) Std.	2
6	81-0013-0424-048	Mounting Screws (2" - 2-1/4" door)	2
6	81-0013-0428-999	Mounting Screws (2-1/4" - 2-3/4" door)	2
7	50-0505-0004-999	Inside Mounting Plate	1
8	50-0506-0004-999	Outside Mounting Plate Assembly	1
9	50-1173-1011-048	Spindle Assembly (1-3/4" door) Std.	1
9	50-1173-1012-048	Spindle Assembly (2" - 2-1/4" door)	1
9	50-1173-1013-048	Spindle Assembly (2-1/4" - 3-1/4" door)	1
10	80-0122-0620-FIN	Rigid Spindle Bar Front Screw	1
11	50-0836-2002-FIN	Dummy Front	1
12	50-0838-1001-000	Spindle Bar	1
Not Shown	See Page 27	Escutcheon Plates	2

* = X in 3rd set of numbers is the base material designation

2 = Brass

7 = Steel





trim: lever and knob part numbers

Type	Design	Hand	Part Numbers Product Shipped After October 2011	
			Outside	Inside
Reflections®	TB		10-0904-x810-FIN	10-0905-x810-FIN
	TC		10-0904-x831-FIN	10-0905-x831-FIN
	TD		10-0904-x861-FIN	10-0905-x861-FIN
	TE		10-0904-x858-FIN	10-0905-x858-FIN
	TG	RH	10-0904-x864-FIN	10-0905-x864-FIN
	TG	LH	10-0904-x867-FIN	10-0905-x867-FIN
	TI	RH	10-0904-x079-FIN	10-0905-x079-FIN
	TI	LH	10-0904-x082-FIN	10-0905-x082-FIN
	TJ	RH	10-0904-x879-FIN	10-0905-x879-FIN
	TJ	LH	10-0904-x882-FIN	10-0905-x882-FIN
	TK	RH	10-0904-x846-FIN	10-0905-x846-FIN
	TK	LH	10-0904-x849-FIN	10-0905-x849-FIN
	TM		10-0904-x804-FIN	10-0905-x804-FIN
	TN		10-0904-x813-FIN	10-0905-x813-FIN
	TO	RH	10-0904-x073-FIN	10-0905-x073-FIN
	TO	LH	10-0904-x076-FIN	10-0905-x076-FIN
	TP		10-0904-x816-FIN	10-0905-x816-FIN
	TQ		10-0904-x897-FIN	10-0905-x897-FIN
	TR		10-0904-x819-FIN	10-0905-x819-FIN
	TS		10-0904-x828-FIN	10-0905-x828-FIN
	TT	RH	10-0904-x852-FIN	10-0905-x852-FIN
	TT	LH	10-0904-x855-FIN	10-0905-x855-FIN
	TU	RH	10-0904-x822-FIN	10-0905-x822-FIN
	TU	LH	10-0904-x825-FIN	10-0905-x825-FIN
	TV	RH	10-0904-x834-FIN	10-0905-x834-FIN
	TV	LH	10-0904-x837-FIN	10-0905-x837-FIN
	TW	RH	10-0904-x873-FIN	10-0905-x873-FIN
	TW	LH	10-0904-x876-FIN	10-0905-x876-FIN
	TW (round shank)	RH	10-0904-x239-FIN	10-0905-x239-FIN
	TW (round shank)	LH	10-0904-x240-FIN	10-0905-x240-FIN
	TX	RH	10-0904-x885-FIN	10-0905-x885-FIN
	TX	LH	10-0904-x888-FIN	10-0905-x888-FIN
TX (round shank)	RH	10-0904-x247-FIN	10-0905-x247-FIN	
TX (round shank)	LH	10-0904-x248-FIN	10-0905-x248-FIN	
TY	RH	10-0904-x891-FIN	10-0905-x891-FIN	
TY	LH	10-0904-x894-FIN	10-0905-x894-FIN	
TZ	RH	10-0904-x085-FIN	10-0905-x085-FIN	

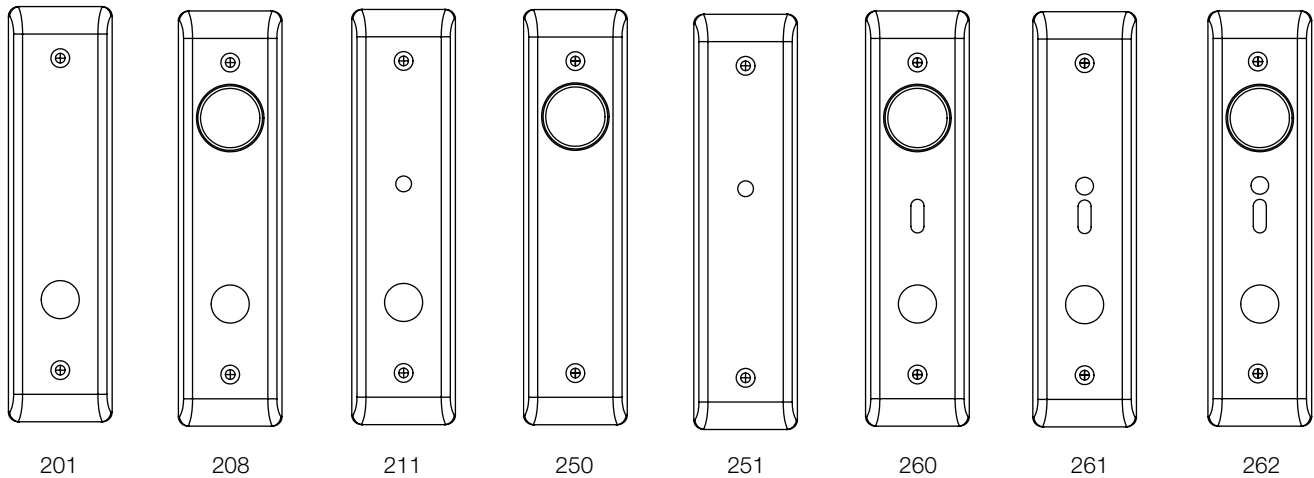
Type	Design	Hand	Part Numbers Product Shipped After October 2011	
			Outside	Inside
Reflections®	TZ	LH	10-0904-x088-FIN	10-0905-x088-FIN
	UB		10-0904-x907-FIN	10-0905-x907-FIN
	UC		10-0904-x913-FIN	10-0905-x913-FIN
	UW	RH	10-0904-x901-FIN	10-0905-x901-FIN
	UW	LH	10-0904-x904-FIN	10-0905-x904-FIN
	UX	RH	10-0904-x064-FIN	10-0905-x064-FIN
	UX	LH	10-0904-x067-FIN	10-0905-x067-FIN
	RA	RH	10-0904-6012-FIN	10-0905-6012-FIN
	RA	LH	10-0904-6013-FIN	10-0905-6013-FIN
	RB	RH	10-0904-6022-FIN	10-0905-6022-FIN
	RB	LH	10-0904-6023-FIN	10-0905-6023-FIN
	RC	RH	10-0904-6032-FIN	10-0905-6032-FIN
	RC	LH	10-0904-6033-FIN	10-0905-6033-FIN
	MA	RH	10-0904-6042-FIN	10-0905-6042-FIN
	MA	LH	10-0904-6043-FIN	10-0905-6043-FIN
	TL		50-0803-0000-FIN	50-0802-0000-FIN
	TA		50-0809-0000-FIN	50-0808-0000-FIN
	TF	RH	50-0842-0000-FIN	50-0844-0000-FIN
	TF	LH	50-0845-0000-FIN	50-0841-0000-FIN
	TH		50-0872-0000-FIN	50-0871-0000-FIN
Standard	AR	RH	10-0902-x021-FIN	10-0903-x024-FIN
	AR	LH	10-0902-x022-FIN	10-0903-x023-FIN
	AU		10-0904-x036-FIN	10-0905-x017-FIN
	CR		10-0904-x071-FIN	10-0905-x070-FIN
	JN		10-0902-x011-FIN	10-0903-x012-FIN
	MO		10-0904-x051-FIN	10-0905-x051-FIN
	PB		10-0904-x054-FIN	10-0905-x054-FIN
	PN		10-0904-x045-FIN	10-0905-x054-FIN
	VI		10-0904-x055-FIN	10-0905-x055-FIN
	HA		10-0904-2151-FIN	10-0905-2151-FIN
	ZAU		10-0904-6036-FIN	10-0905-6017-FIN
	ZCR		10-0904-6071-FIN	10-0905-6070-FIN
	ZMO		10-0904-6051-FIN	10-0905-6051-FIN
	ZPB		10-0904-6054-FIN	10-0905-6054-FIN
CO		10-0035-x487-FIN	10-0035-x483-FIN	
LF		10-0035-x285-FIN	10-0035-x338-FIN	

* = X in 3rd set of numbers is the base material designation
 2 = Brass
 7 = Steel

trim: escutcheon plates

When ordering escutcheons separately, specify the model number of the escutcheon plate suffixed with the spacing number. The spacing number indicates the hole preparation in the escutcheon plate to coordinate with the lock functions (i.e. CN87 x 201).

- 260, 261, & 262 used with CN escutcheon only. These are an assembly which includes indicator.
- 262 used with CN88 only



Model Number	Description
CN87	Inside for CN
CN88	Outside for CN
SL87	Inside for SL
SL88	Outside for SL
E1-87	Inside for E1
E1-88	Outside for E1
E2-87	Inside for E2
E2-88	Outside for E2
E3-87	Inside for E3
E3-88	Outside for E3
E4-87	Inside for E4
E4-88	Outside for E4

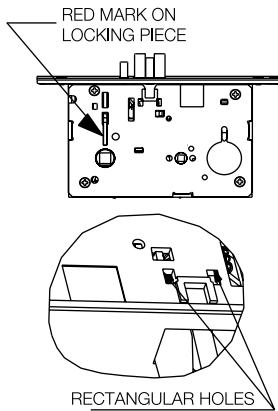
handing/troubleshooting

handing the 8800 mortise lock

Units Shipped Prior To March 2012

HANDING THE LATCHBOLT

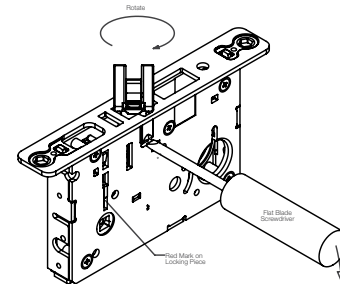
1. Locate and depress spring plate mechanism in one of the rectangular holes.
2. While depressing spring plate pull latchbolt head.
3. Rotate head for desired handing.
4. Push head into lockbody until secured.
5. Operate several times to insure operation.



Units Shipped After March 2012

HANDING THE LATCHBOLT

1. Insert a flat blade screwdriver into cover slot.
2. Pull back on screwdriver until latchbolt extends past the base front.
3. Rotate head to desired position.



HANDING THE HUBS (LEVER OPERATION)

1. Locate the red mark on locking piece
2. The red mark indicates the locked side
3. Push toggle button to the "Unlock" position
4. With a flat blade screwdriver push red mark on locking piece to rotate locking piece 180° to the desired location
5. The locking piece must be fully rotated 180° for proper operation

troubleshooting

Installation Trouble Shooting Tips		
Problem	Possible Cause	Solution
Difficult to operate lock by lever or by key.	Loose (Trim H.M. Doors) (Vibration caused by normal operation of door opening and closing can loosen attaching screws)	Adjust and tighten - as necessary. If screws continually loosen up, use a screw locking compound (such as Loctite) on all attaching screws.
	Door is warped or sagging, binding up latch bolt in strike cutout.	Check to see where latch is hanging up in strike. If door is sagging, tightening top hinge screws may solve problem. Hole in strike plate may have to be filed to relieve bind. Doors can warp when weather changes: warm inside - cold outside cool inside - hot outside (Exterior doors painted in a dark color are particularly susceptible to warpage when exposed to direct sunlight.) It may take a few seasonal changes to work out all binding problems.
Loose Trim (wood doors)	Wood doors after being installed will sometimes shrink slightly as the building dries out.	Tighten all screws as needed
Latch bolt hangs up in lock body	Foreign object in lock body (metal shavings, saw dust, wood particles, mineral ore etc.)	Remove lock from door and remove foreign object from body. *Lubricate if necessary.
	Lock body lacks lubrication or lubrication has gummed up with age.	Use penetrating or solvent type lubricant as a cleaning agent to loosen frozen or sticking components. Lubricate with silicon base or Lithium Grease.
Cylinder jams up	Dirt or other foreign object may be in keyway affecting operation.	Lubricate cylinder with graphite or other non-oily lubricant (such as Lock-EZE) Do not use oil based lubricants in Keyway.

notes

online literature and templates

For the latest information on Yale Locks & Hardware products, visit our website at: www.yalelocks.com

Click on the “Product Information” button to find:

- Catalogs
- Parts manuals
- Templates
- Specifications
- Installation instructions

Yale® customers can click on the ebusiness symbol  on the website to register for an ebusiness account to:

- Check the status of orders
- Check availability of QuickShip items
- Track your order and confirm delivery
- Receive email notification of template changes

And More...

Or contact us at:

U.S.A.

Yale Locks & Hardware

Address: 225 Episcopal Road, Berlin, CT 06037-4004
Tel: 1-800-438-1951 • Fax: 1-800-338-0965 • www.yalelocks.com

Canada:

ASSA ABLOY Door Security Solutions Canada

Address: 160 Four Valley Drive, Vaughan, Ontario L4K 4T9
Tel: 1-800-461-3007 • Fax: 1-800-461-8989 • www.assaabloy.ca

International:

ASSA ABLOY Americas International

Tel: 1-905-821-7775 • Fax: 1-905-821-1429 • www.assaabloyai.com

Yale Locks & Hardware is a division of Yale Security Inc., an ASSA ABLOY Group company.

Yale® is a registered trademark of Yale Security Inc., an ASSA ABLOY Group company. Other products' brand names may be trademarks or registered trademarks of their respective owners and are mentioned for reference purposes only. These materials are protected under U.S. copyright laws. All contents current at time of publication. Yale Security Inc. reserves the right to change availability of any item in this catalog, its design, construction, and/or its materials. Copyright © 2004, 2014, Yale Security Inc., an ASSA ABLOY Group company. All rights reserved. Reproduction in whole or in part without the express written permission of the Yale Security Inc., an ASSA ABLOY Group company, is prohibited.

YALE, with its unique global reach and range of products, is the world's favorite lock.

ASSA ABLOY is the global leader in door opening solutions, dedicated to satisfying end-user needs for security, safety and convenience.