



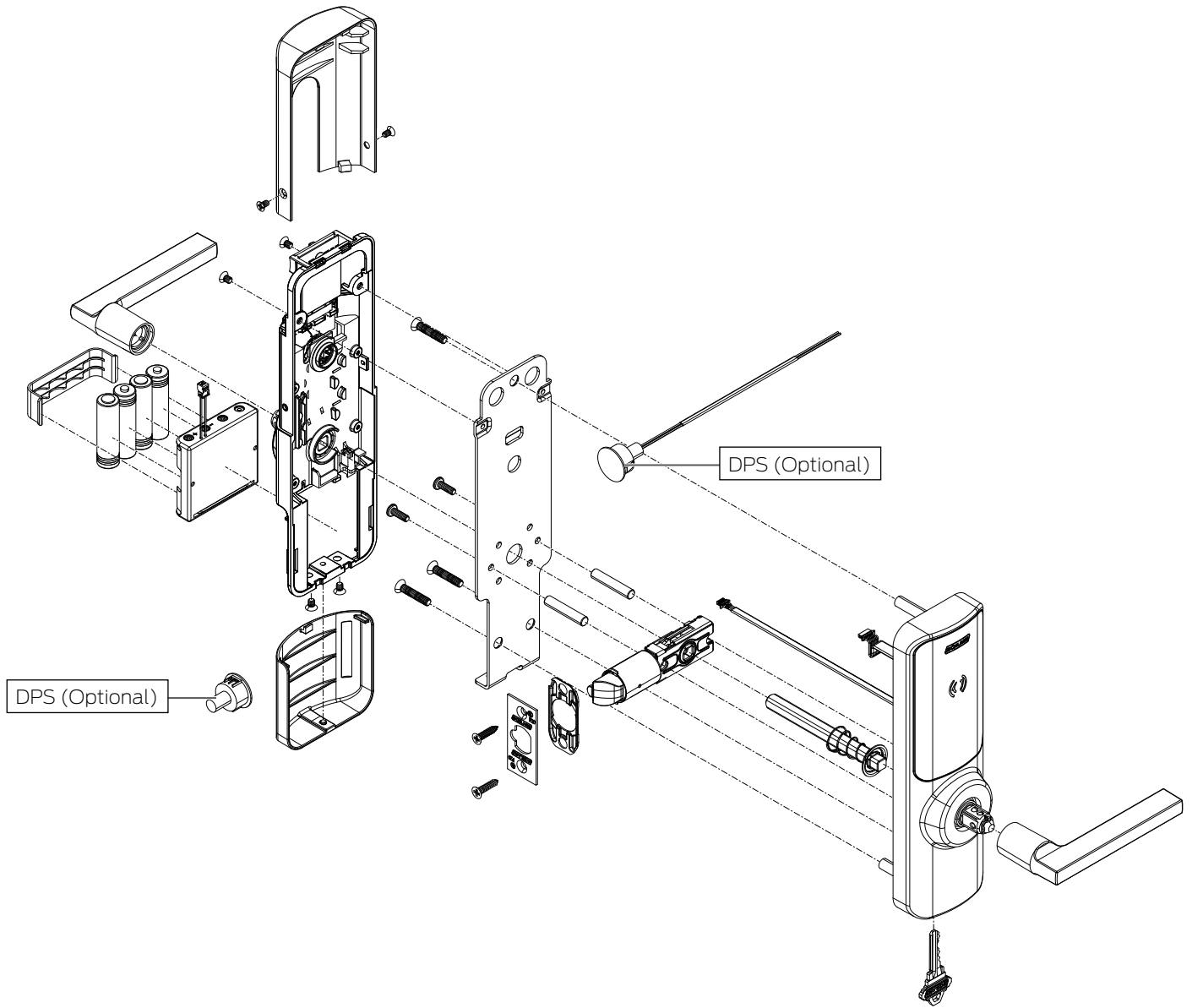
47570179

XE360-T



Tubular Lock

Installation Instructions



Specifications and Certifications

Warnings and Cautions

WARNING

Warnings indicate potentially hazardous conditions, which if not avoided or corrected, may cause death or serious injury.

CAUTION

Cautions indicate potentially hazardous conditions, which if not avoided or corrected, may cause minor or moderate injury. Cautions may also warn against unsafe practices.

NOTICE

Notices indicate a condition that may cause equipment or property damage only.

Installation

- ① **Bags of fasteners are labeled to match the labels in the installation steps. Look for the labels on the steps before opening bags of fasteners.**

1 Prepare door, if needed.

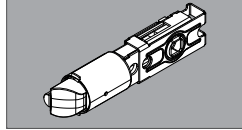
Check the door template to complete the door preparation.

2 Install latch.

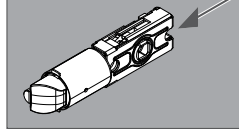
2a Adjust latch, if necessary.

Latch is factory set to 2 3/4" (70 mm) backset. To change to 2 3/8" (60 mm) backset, push back of latch toward front.

2 3/4" (70 mm)

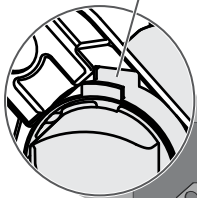


2 3/8" (60 mm)



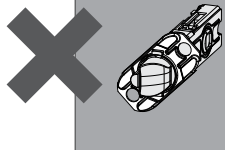
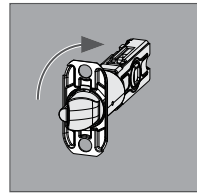
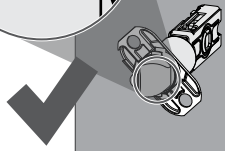
2b Install backplate.

Notch



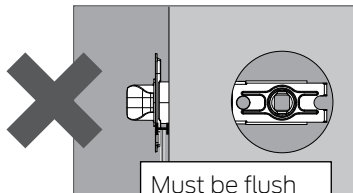
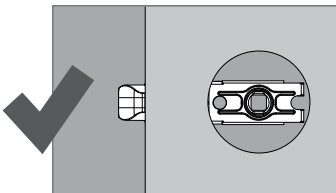
CAUTION

Faceplate and backplate must be installed correctly to maintain UL rating of UL certified locks.



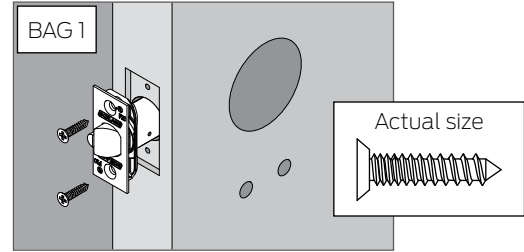
This backplate is backward.

2c Insert the latch into the door edge. If the latch will not go all the way into the hole, the latch needs to be adjusted to the 2 3/8" backset. See step 2a.



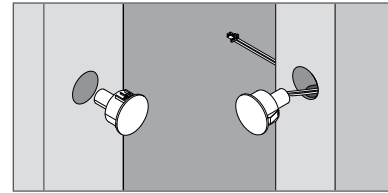
Must be flush with door edge.

2d Add faceplate and secure with screws.

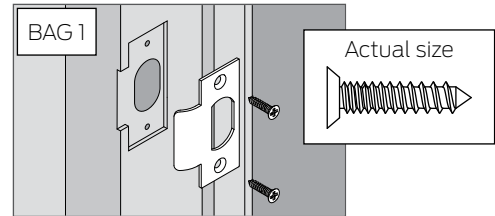


3 Install DPS (door position switch), if desired.

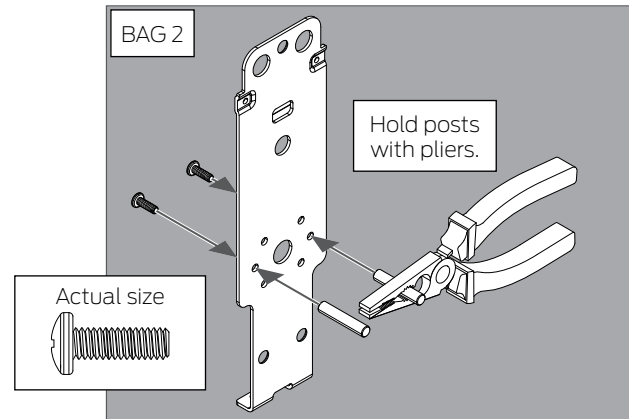
Route the cable through the hole and then push the DPS into the hole.



4 Install strike.

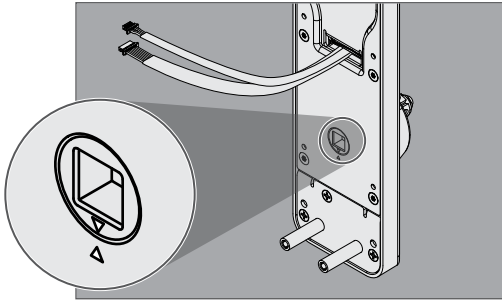


5 Install posts onto interior plate.



6 Install exterior assembly.

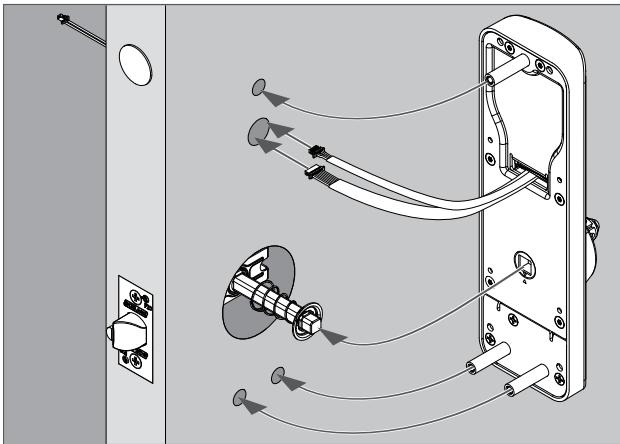
6a Align the triangles.



6b Install the spindle into the assembly.

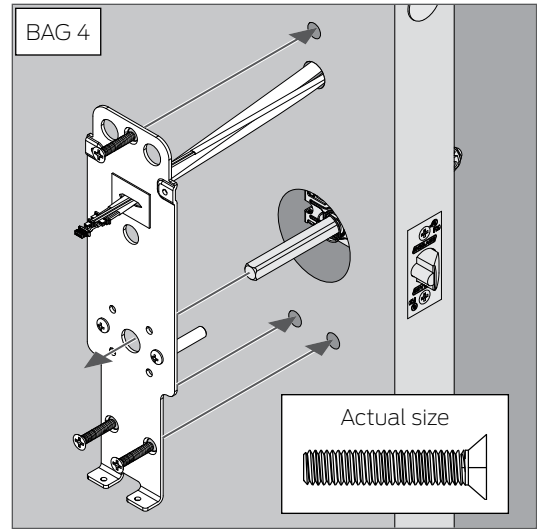


6c Route the cables through the hole. Align the posts with the holes in the door and push the assembly against the door. Hold in place.



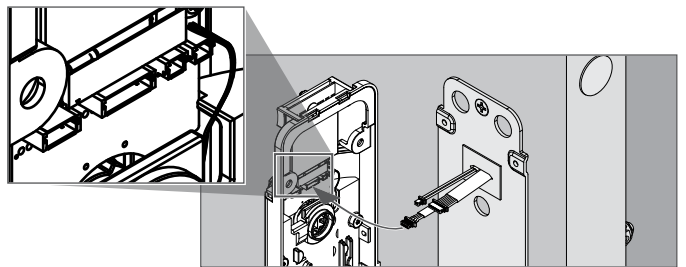
7 Install interior plate.

- 7a Push three (3) cables through gasket in plate.
- 7b Route spindle through hole in plate.
- 7c Push the plate against the door.
- 7d Secure with three (3) screws.

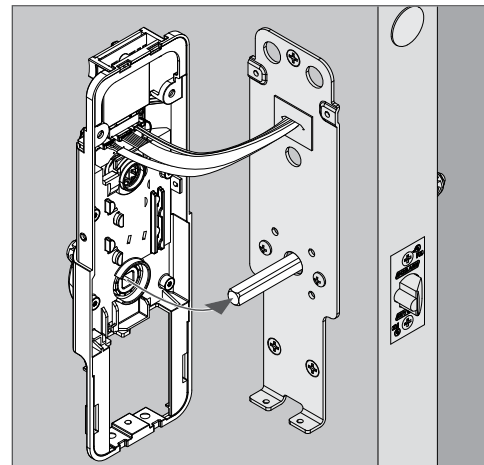


8 Install interior assembly.

8a Connect three (3) cables. The cables are color-coded.



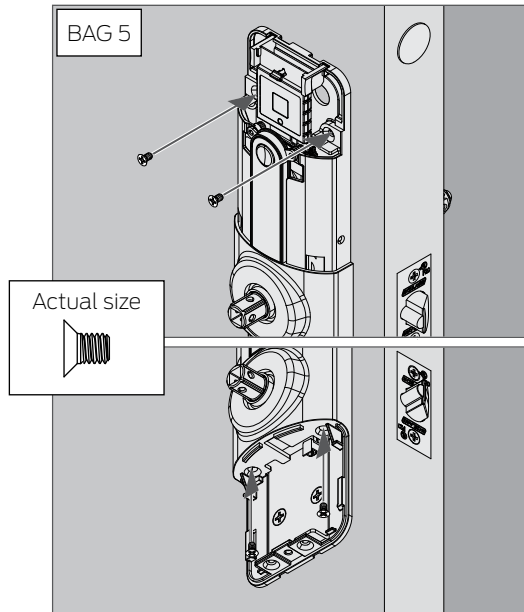
8b Push assembly onto spindle.



NOTICE

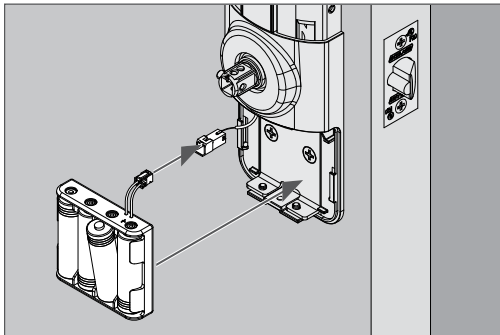
Do not crimp cables.

8c Secure with four (4) screws.



9 Install batteries and tray.

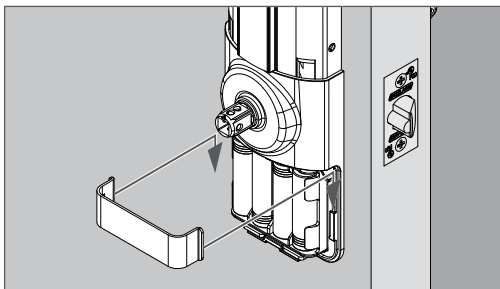
- 9a Install batteries into tray.
9b Connect battery connector.
① **The lock will begin to initialize when the batteries are connected. See Testing.**
9c Install tray into lock.



NOTICE

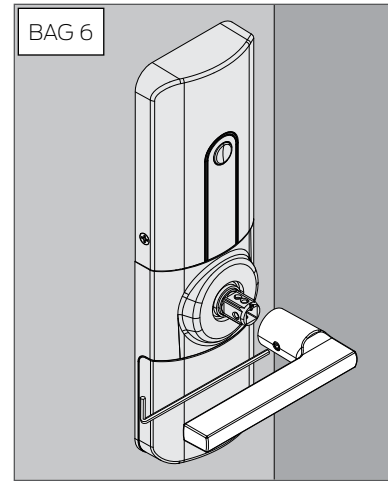
Do not crimp cables.

9d Install retainer.



10 Install levers.

- 10a Loosen set screw in lever, using included hex wrench.
10b Push lever on.
10c Tighten set screw firmly using included hex wrench.
10d Repeat for other side of door.

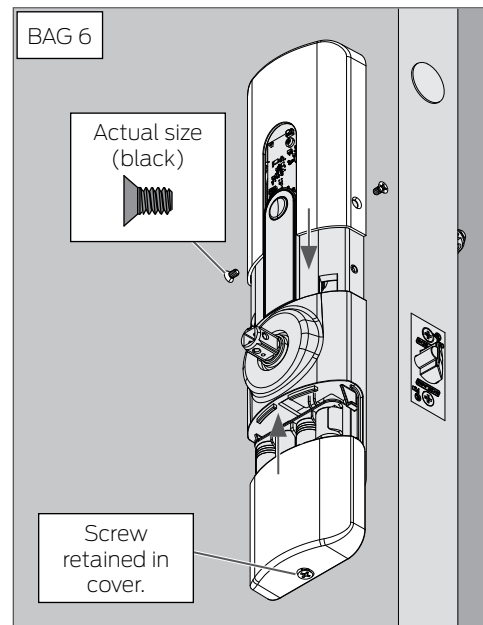


NOTICE

Repeated lever removal may lead to failure of the set screw.

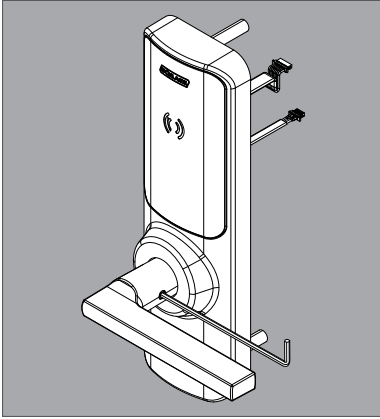
11 Install covers.

- 11a Slide covers on.
11b Secure with screws.

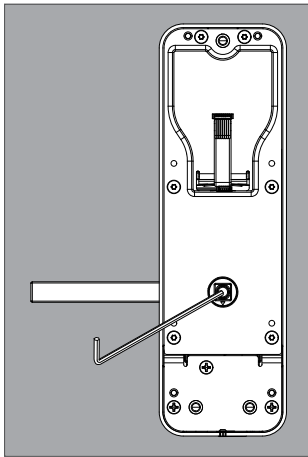


Rehanding

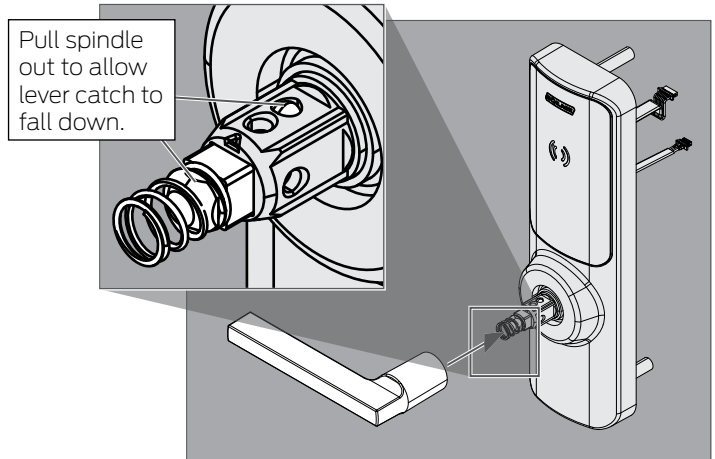
- Remove exterior assembly from door.
- Loosen set screw.



- Use hex wrench to press center of assembly to release the lever.



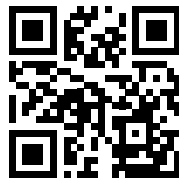
- Ensure lever catch is recessed, and then reinstall the lever, facing the opposite direction. Lever will click when fully installed. Tighten set screw.



- Reinstall all remaining parts.

Testing

- ① **See the User Guide for detailed troubleshooting.**
See alle.co/XE360UG.

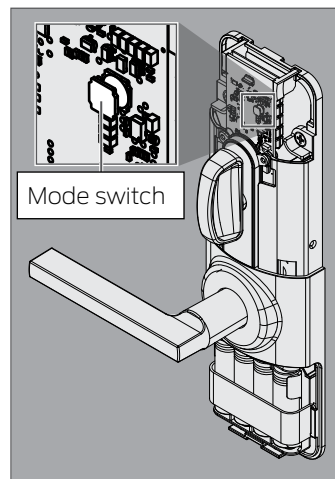


Basic operation

- Install the batteries. See step 10.
- Allow the system to initialize.
- Verify three (3) green blinks on the exterior assembly.

DPS

- Ensure the DPS is installed and connected correctly. See steps 2 and 9a.
- The lock should be in factory (FDR) mode.
- After power is applied and the system completes initialization (3 green blinks), cancel advertising by pressing and releasing the mode switch.
- Open the door. The interior and exterior indicators will blink blue (1X) and beep (1X)
- Close the door. The interior and exterior indicators will blink blue (2X) and beep (2X)



Customer Service Servicio al cliente Service à la clientèle

1-877-671-7011

www.allegion.com/us



© Allegion 2023
Printed in U.S.A.
47570179 Rev. 01/23-5