



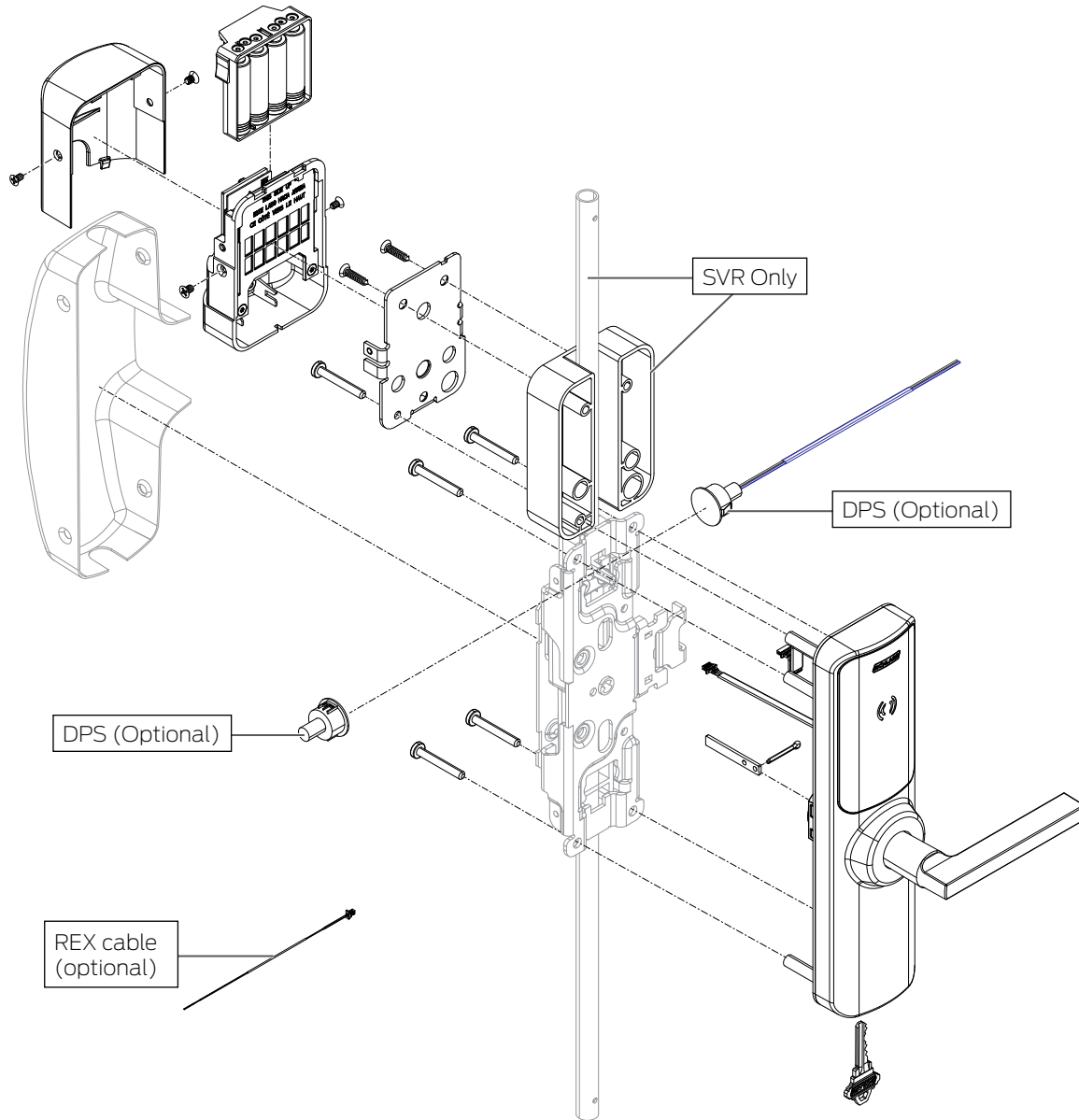
47570178

XE360-EW



22/25R/99/SVR Exit Devices

Installation Instructions



Specifications and Certifications

Warnings and Cautions

WARNING

Warnings indicate potentially hazardous conditions, which if not avoided or corrected, may cause death or serious injury.

CAUTION

Cautions indicate potentially hazardous conditions, which if not avoided or corrected, may cause minor or moderate injury. Cautions may also warn against unsafe practices.

NOTICE

Notices indicate a condition that may cause equipment or property damage only.

Installation

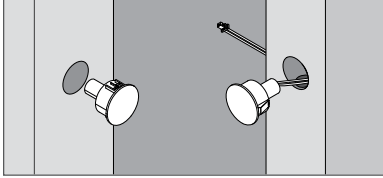
- ① **Bags of fasteners are labeled to match the labels in the installation steps. Look for the labels on the steps before opening bags of fasteners.**

1 Prepare door, if needed.

Check the included door template to complete the door preparation.

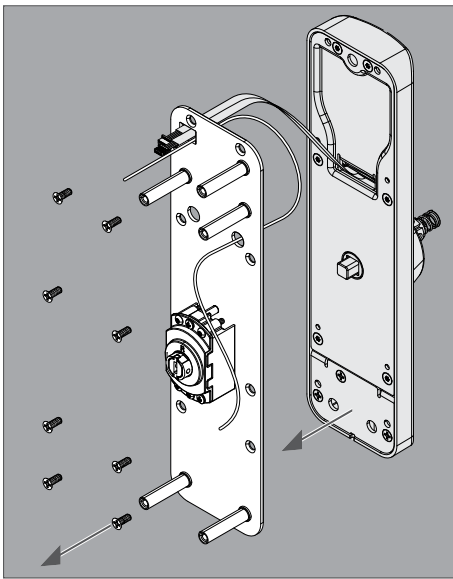
2 Install DPS (door position switch), if desired.

Route the cable through the hole and then push the DPS into the hole.

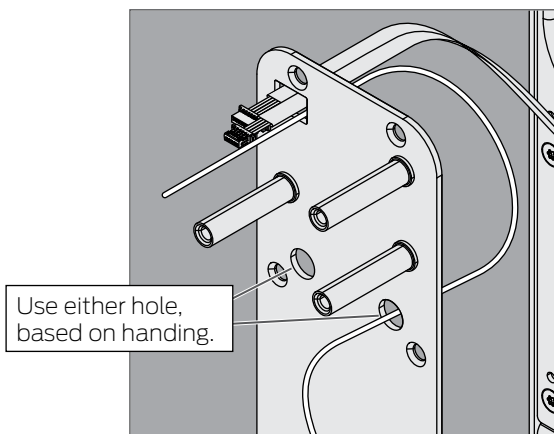


3 Install REX (request for exit), if desired.

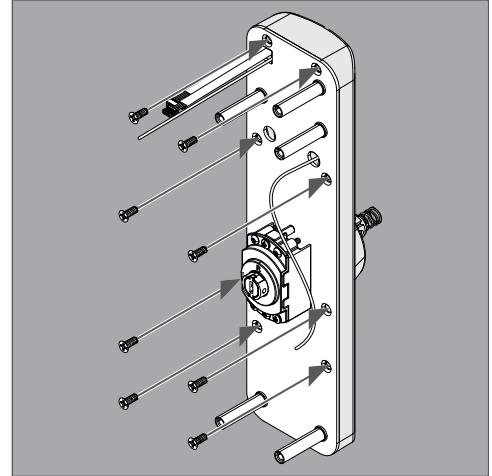
3a Remove eight (8) screws and plate.



3b Route REX cable through square hole and through one of the lower holes.

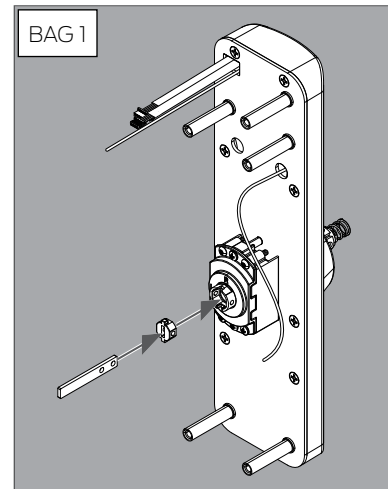


3c Reinstall plate.

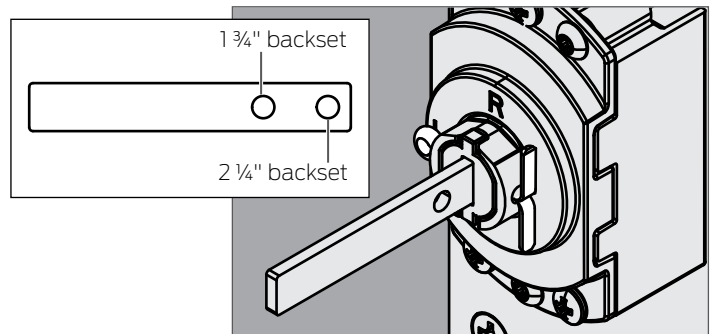


4 Install exterior assembly.

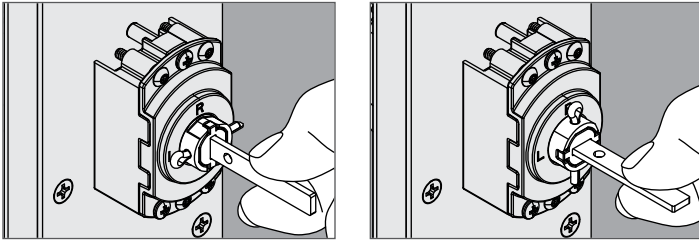
4a Install the retainer and tailpiece.



4b Install the cotter pin, using the correct hole for your backset. Bend the ends of the cotter pin to secure tailpiece.



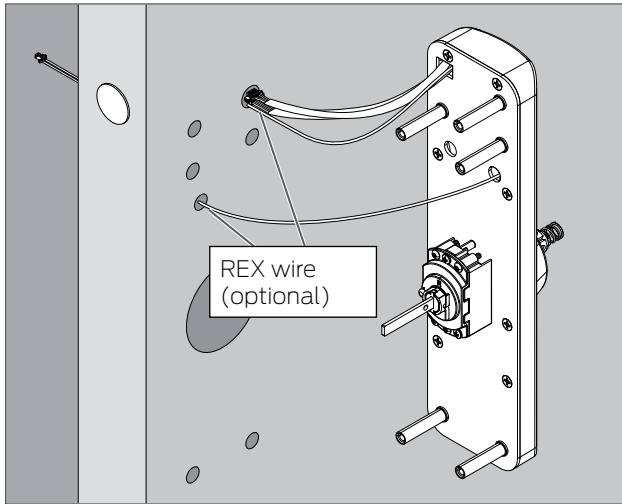
4c Pull tailpiece out and rotate to correct position, based on model.



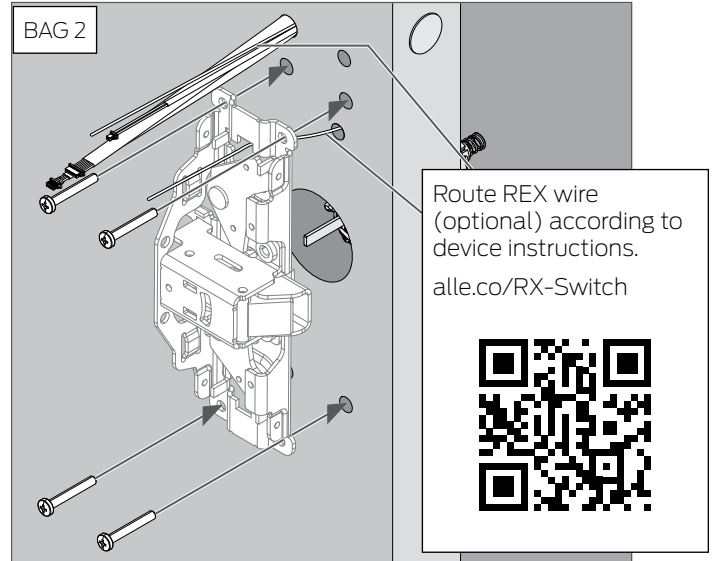
99 LHR 22 LHR 9927 LHR
 2227 LHR 25R LHR 25V LHR
 99 RHR 22 RHR 9927 RHR
 2227 RHR 25R RHR

25V RHR

4d Route cables through holes, as shown. Place exterior assembly against door and hold.



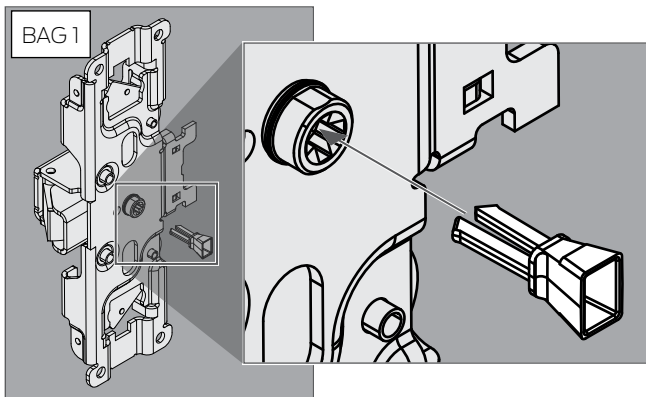
5b Use included screws to attach center case to exterior assembly.



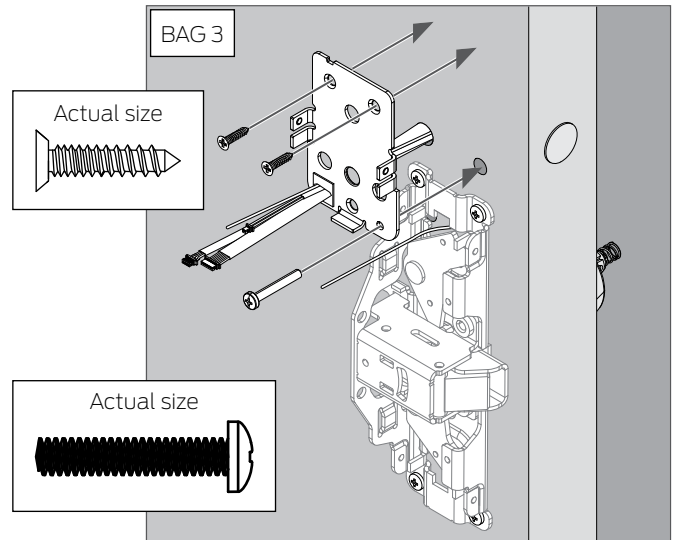
Exit device model	Screw
Falcon 25R	
Von Duprin 99R	

5 RIM: Install exit device per device instructions.

5a 99 and 22-Series ONLY: Install tailpiece adapter into center case.

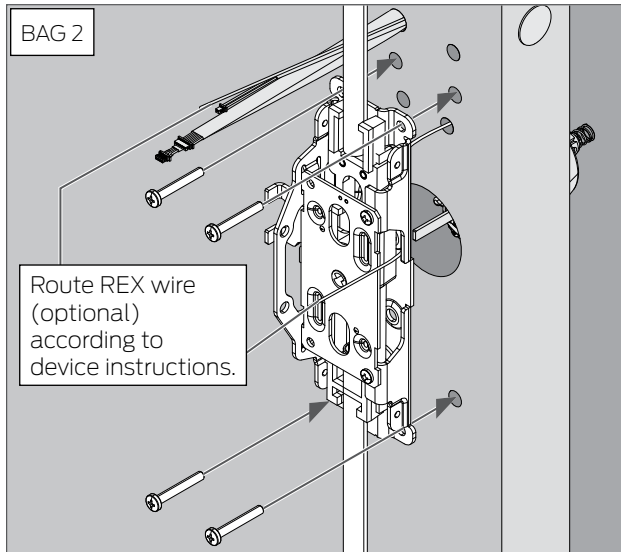


5c Push cables through gasket in interior plate. Secure with two (2) surface mount screws and one through-bolt.



6 SVR: Install exit device per device instructions.

6a Install rods and center case per device instructions.



Exit device model	Screw
Falcon 25V	
Von Duprin 99V	

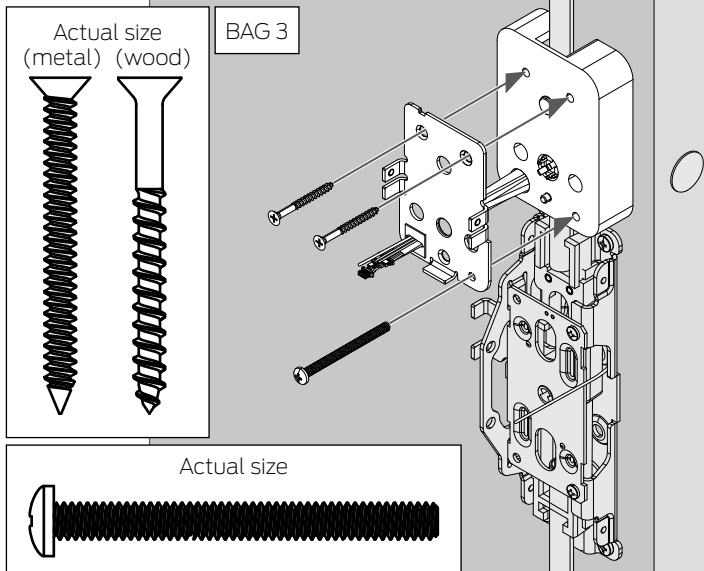
7 Install spacer and interior plate.

7a Push cables through gasket in plate.

7b Secure with three (3) screws.

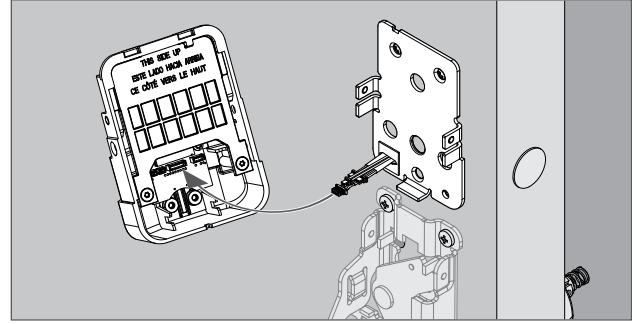
NOTICE

Ensure that rod path is not impeded.



8 Install interior assembly.

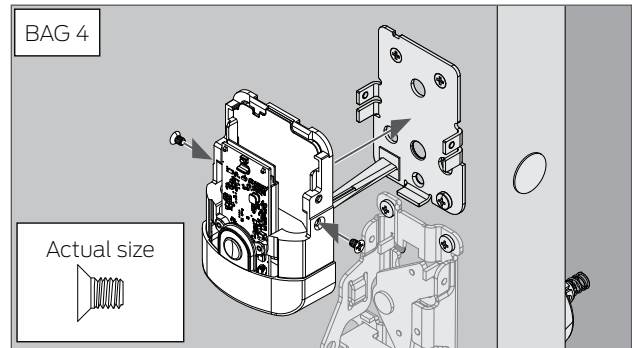
8a Connect three (3) cables, and REX cable, if used. The cables are color-coded.



8b Hold assembly against plate and secure with two (2) screws.

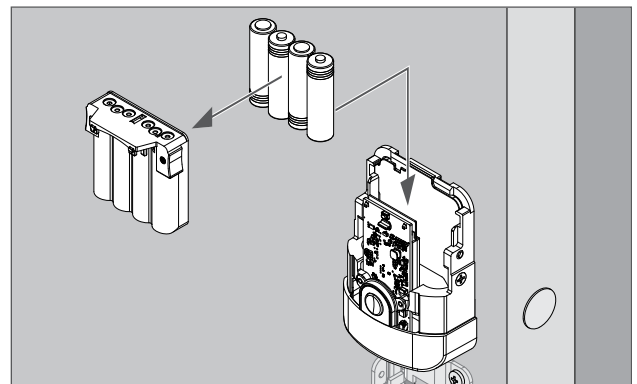
NOTICE

Do not crimp wires.



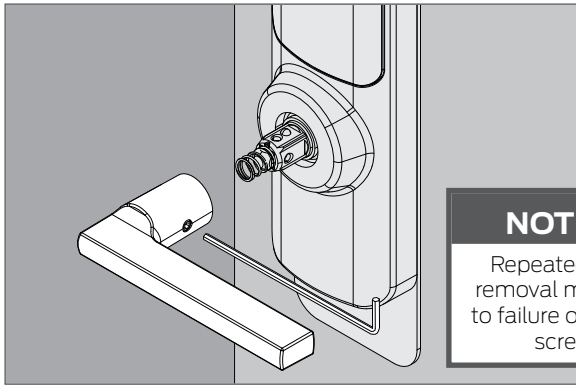
8c Install batteries and tray.

① The lock will begin to initialize when the batteries are connected. See **Testing**.



9 Install lever.

- 9a Loosen set screw in lever, using included hex wrench.
- 9b Push lever on.
- 9c Tighten set screw firmly.



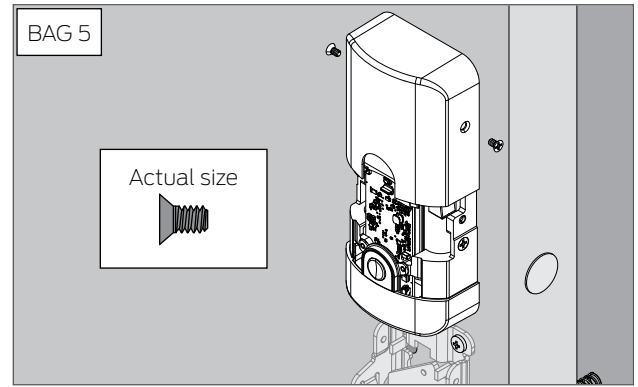
NOTICE

Repeated lever removal may lead to failure of the set screw.

- ① **Complete Testing now, before installing covers.**

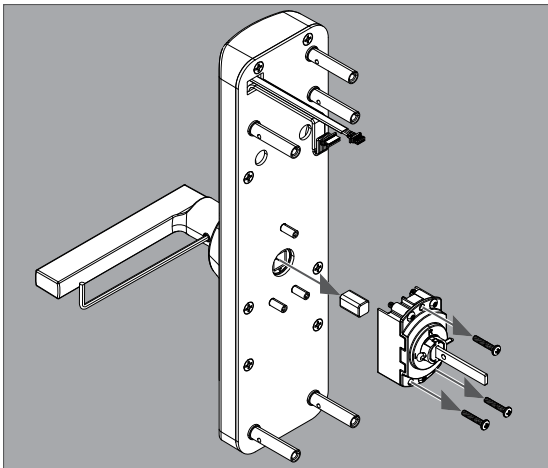
10 Install cover.

- 10a Slide cover onto assembly. Secure using two (2) screws.

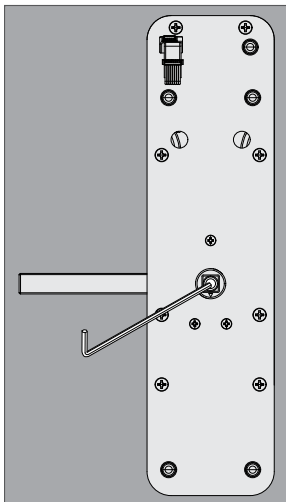


Rehanding

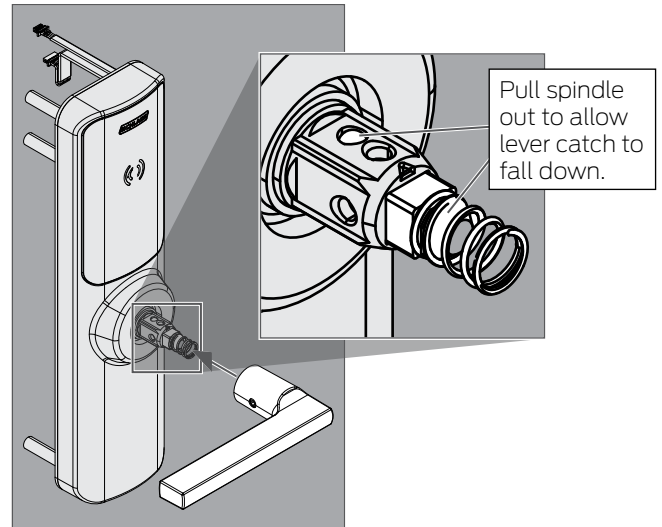
- a. Remove exterior assembly from door.
- b. Loosen set screw. Remove tailpiece assembly and spindle, as shown.



- c. Use hex wrench to press center of assembly to release the lever.



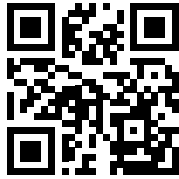
- d. Ensure lever catch is recessed, and then reinstall the lever, facing the opposite direction. Lever will click when fully installed. Tighten set screw.



- e. Reinstall all remaining parts.

Testing

- ① **See the User Guide for detailed troubleshooting.**
See alle.co/XE360UG.



Basic operation

1. Install the batteries. See step **10**.
2. Allow the system to initialize.
3. Verify three (3) green blinks on the exterior assembly.

DPS

1. Ensure the DPS is installed and connected correctly. See steps **2** and **9a**.
2. The lock should be in factory (FDR) mode.
3. After power is applied and the system completes initialization (3 green blinks), cancel advertising by pressing and releasing the mode switch.
4. Open the door. The interior and exterior indicators will blink blue (1X) and beep (1X)
5. Close the door. The interior and exterior indicators will blink blue (2X) and beep (2X)

