

7 Line

Cylindrical Lever Locks



Specifications

7 Line Cylindrical Lever Locks

SARGENT®

ASSA ABLOY

Table of Contents

Windstorm Certifications.....3
 Features, Benefits & Applications4
 Lever & Rose Designs.....5
 Functions6
 Strikes7
 Mechanical & Cylinder Options, Packaging & Latches8-9
 How to Order, Architectural Specifications & Finishes.....10

Specifications

For Doors	1-3/4" (44mm) Thick Door standard Specify 1- for 1-3/8" (35mm) Thick Door
Backset	2-3/4" (70mm) Backset standard. Specify 20- for 2-3/8" (60mm) Backset
Cylindrical Housing	Steel, zinc dichromate finish
Front	Wrought brass or stainless steel; Standard — 2-1/4" (57mm) x 1-1/8" (29mm), with 2-3/4" (70mm) backset Specify 20- for 2-1/4" (57mm) x 1" (25mm), with 2-3/8" (60mm) backset
Strike	Wrought brass or stainless steel 2-3/4" Curved Lip Strike standard 4-7/8" Curved Lip (28-) and 2-1/4" Full Lip (14-) Strikes Optional
Hand	Non-handed — B, L, P lever designs Handed — G and Y Coastal Series lever designs
Latch	Brass 1/2" (13mm) throw
Keys	Two, nickel silver
Cylinder	Brass, 6-pin, LA keyway standard Can be master keyed or grand master keyed
Finishes	03, 04, 09, 10, 10B, 10BE, 10BL 14, 15, 20D, 26, 26D & BSP
Door Prep	ANSI A115.2; Specify 20- for 160 Prep

Certification Compliance

ANSI	Certified ANSI A156.2 Series 4000 - Grade 2
UL	UL listed to U.S.A. and Canadian safety standards Listed for 3 Hour Doors
Positive Pressure	Meets ANSI/UL 10C, Positive Pressure Fire Test of Door Assemblies
ADA	All levers conform to ADA requirements for barrier-free accessibility
California Code	Levers (L and P) conform to California Administrative Code Title 19 and 24

Any retrofit or other field modification to a fire rated opening can potentially impact the fire rating of the opening, and Sargent Manufacturing Company makes no representations or warranties concerning what such impact may be in any specific situation. When retrofitting any portion of an existing fire rated opening, or specifying and installing a new fire-rated opening, please consult with a code specialist or local code official (Authority Having Jurisdiction) to ensure compliance with all applicable codes and ratings.

On The Cover

- 7G05 X LL



MicroShield®

As part of their promise to provide innovative solutions to their customers, certain ASSA ABLOY Group brands offer the MicroShield® technology, a silver-based antimicrobial coating designed to inhibit the growth of bacteria. MicroShield® is a registered trademark of Yale Security Inc., an ASSA ABLOY Group company.

MicroShield® Coating

- Revolutionary finish coating available on all SARGENT product lines, utilizes a silver-based antimicrobial compound from Agion Technologies
- As an integral part of the finish coating, MicroShield® lasts for the life of the hardware
- MicroShield® coating permanently suppresses the growth of bacteria, algae, fungus, mold and mildew. It is effective against a broad spectrum of bacteria.
- Non-toxic and completely safe. The Agion antimicrobial compound is EPA and NSF approved and FDA listed for use in medical and food preparation equipment.
- Applications: Anywhere there is need for a clean environment (hospitals, laboratories, schools, medical centers, daycare, food processing etc.)

Windstorm Certifications

7 Line Cylindrical Lever Locks

Windstorm Certifications: Florida Building Codes & UL Listings

SARGENT Manufacturing's products meet building codes that require hurricane, windstorm and FEMA certifications, including some of the most stringent building codes as specified in the Florida Building Code, Miami Dade Code and the International Building Code. Listed below are certifications and standards met by the 7 Line lock.

Florida Building Code: FL2998

UL Certification Directory: ZHEM.R21744 – Latching Hardware

ANSI/SDI-BHMA A250.13	"Testing and Rating of Severe Windstorm Resistant Components for Swinging Door Assemblies"
ANSI/ASTM E330	"Standard Test Method for Structural Performance of Exterior Windows, Doors, Skylights and Curtain Walls by Uniform Static Air Pressure Difference"
ANSI/ASTM E1886	"Standard Test Method for Performance of Exterior Windows, Curtain Walls, Doors, and Impact Protective Systems Impacted by Missile(s) and Exposed to Cyclic Pressure Differentials"
ASTM E1996	"Standard Specification for Performance of Exterior Windows, Curtain Walls, Doors and Impact Protective Systems Impacted by Windborne Debris in Hurricanes"
(TAS) 201	"Impact Test Procedures"*
(TAS) 202	"Standard Test Method for Structural Performance of Exterior Windows, Doors, Skylights and Curtain Walls by Uniform Static Air Pressure Difference"
(TAS) 203	"Criteria for Testing Products Subject to Cyclic Wind Pressure Loading"*

* Published in the "Florida Building Code"

Features, Benefits & Applications

7 Line Cylindrical Lever Locks

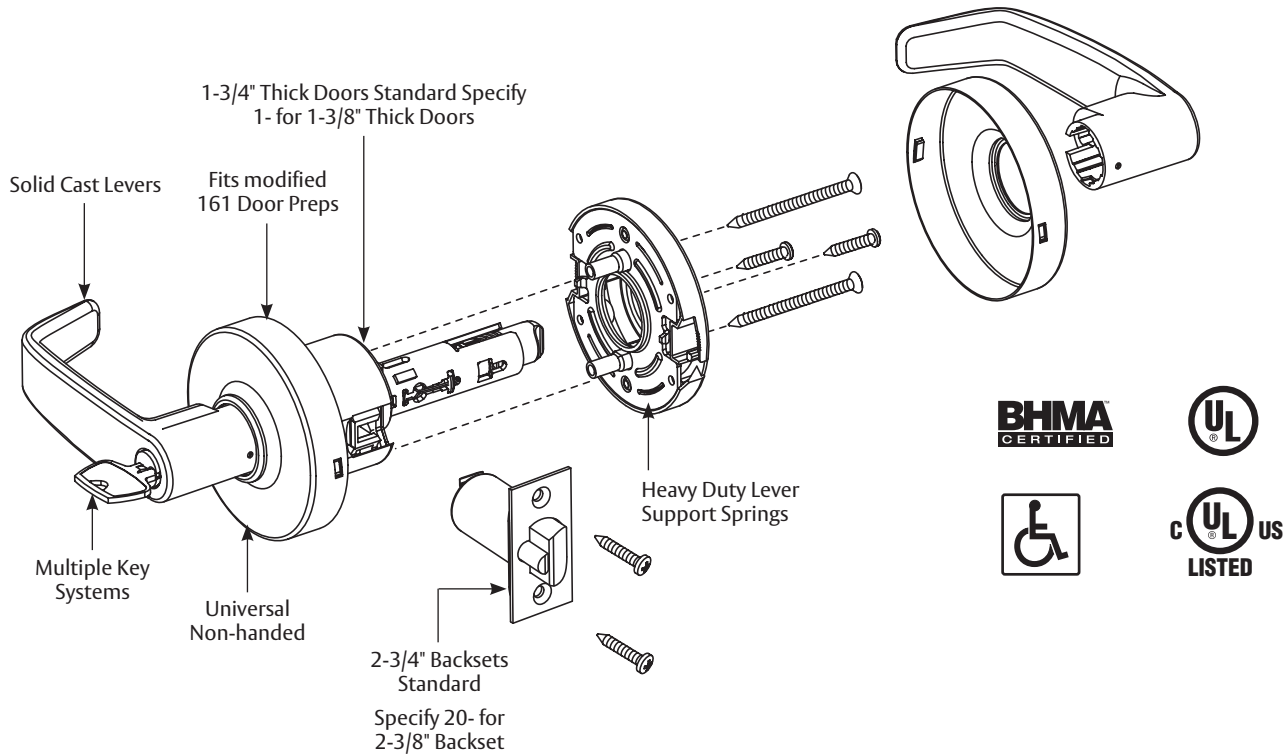
SARGENT®

ASSA ABLOY

Features & Benefits

A key-in-lever lock designed for standard duty commercial exterior and interior doors in offices, commercial interiors, medical clinics, government facilities and public buildings. Exceeds ANSI/BHMA A156.2 Standards for cycling and durability.

“Best Overall Lock in the Grade 2 Class”



Strength and Durability

- Cycle Test: Exceeds 2-1/2 times ANSI/ BHMA A156.2 Grade 2 cycle requirements
- 5 Year limited warranty. No service required

Convenience

- Installs in 1 minute or less
- Non-handed design for ease of installation and efficient warehousing — with standard lever designs (Except G&Y)
- User friendly packaging
- User friendly instruction
- Convenient installation diagram on box

Design

- Solid feel and precise lever action
- Decorative Levers — Coastal Series designs — Gulfport and Yarmouth
- Levers are solid one piece cast construction

Flexibility

- Fits modified 161 door preps. Internal through-bolts supply strength and stability without requiring additional door preparation
- 12 architectural grade finishes
- 10 standard functions
- SARGENT uses engineered solutions and flexible manufacturing processes to accommodate special applications

Security

- Torx® and spanner screws optional
- Security key systems available (Signature, XC, Keso, and Keso F1)
- Vandal resistant trim optional (FW- option)

Applications

- Standard duty commercial interior & exterior doors
- Offices
- Commercial interiors
- Medical clinics
- Government facilities
- Public buildings

Innovation

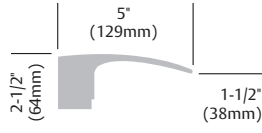
- SARGENT's revolutionary MicroShield® available. This antimicrobial silver-based finish coating permanently suppresses the growth of bacteria, algae, fungus, mold and mildew. EPA and NSF approved and FDA listed

Lever & Rose Designs

7 Line Cylindrical Lever Locks

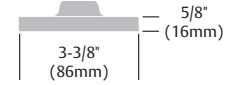
B Lever Design

- Lever: B — Solid Cast



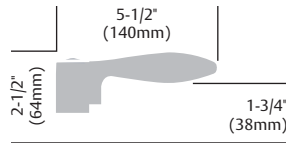
L Rose Design

- Heavy Wrought



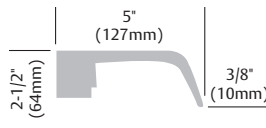
G Lever Design – Coastal Design – Gulfport

- Lever: G — Solid Cast
- Handed



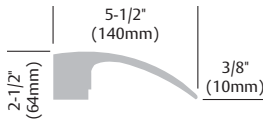
L Lever Design

- Lever: L — Solid Cast



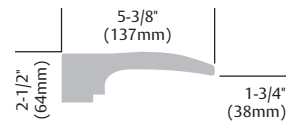
P Lever Design

- Lever: P — Solid Cast



Y Lever Design – Coastal Design – Yarmouth

- Lever: Y — Solid Cast
- Handed



Note: All height Dimensions are from the surface of the door.

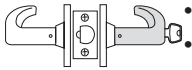
Functions

7 Line Cylindrical Lever Locks

Single Cylinder Functions

04 Storeroom or Closet

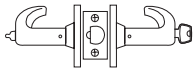
7G04



- Deadlocking latch
- Latch by lever inside or key outside
- Outside lever rigid at all times
- ANSI/BHMA F86

05 Entrance or Office

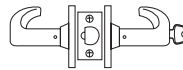
7G05



- Deadlocking latch
- Latch by either lever unless outside lever is locked by push/turn button in inside lever
- Push button released by key outside or lever inside
- Turn button must be released manually
- Key retracts latch when outside lever is locked
- ANSI/BHMA F109

37 Classroom

7G37

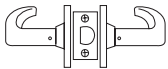


- Deadlocking latch
- Latch by either lever unless outside lever is locked by key
- Key in outside lever locks or unlocks outside lever and retracts latch
- Inside lever always operative
- ANSI/BHMA F84

Non-Cylinder Functions

15 Passage

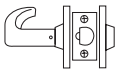
7U15



- Latch by either lever
- ANSI/BHMA F75

15-3 Exit or Communicating

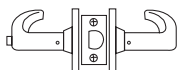
7G15-3



- Deadlocking latch
- Blank rose outside
- Latch by lever inside
- Minimum clearance of 2" required between doors

65 Privacy/Bathroom

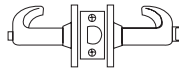
7U65



- Latch by either lever unless outside lever is locked by push button in inside lever
- Turning inside lever or closing door releases button
- Emergency button in outside lever unlocks, with use of a blade screw driver in outside lever and releases inside button
- ANSI/BHMA F76

68 Hospital Privacy

7U68



- Latch by either lever unless outside lever is locked by push button in inside lever
- Turning inside lever or closing door releases button
- Rotating thumbturn in outside lever unlocks the outside lever and releases the inside button

93 Single Lever Pull

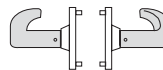
7U93



- For wood or custom hollow metal doors
- Lever and rose attached by two through-bolts and two surface applied screws
- Requires special door preparation — see template

94 Double Lever Pull

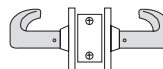
7U94



- For wood or custom hollow metal doors
- Lever and rose both sides by two through-bolts and four surface applied screws
- Requires special door preparation — see template

94-2 Double Lever Pull

7U94-2



- Lever and rose attached by two through-bolts and four surface applied screws
- Dummy latch plate
- Requires special door preparation — see template

Freewheeling Locked Lever Option

- Available the following functions 04, 05, 37, 65 & 68
- Provides protection from vandalism and added security
- Stops in rose prevent the lever from traveling beyond 60° in either direction

Note: Shaded lever indicates it is rigid at all times

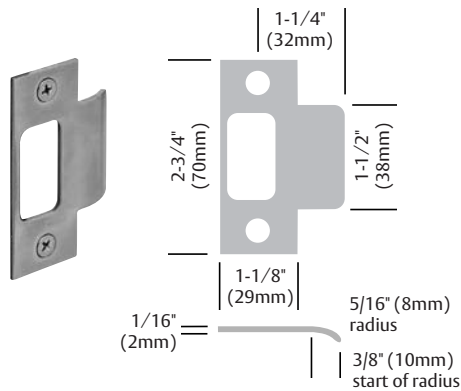
Strikes

7 Line Cylindrical Lever Locks

Strikes

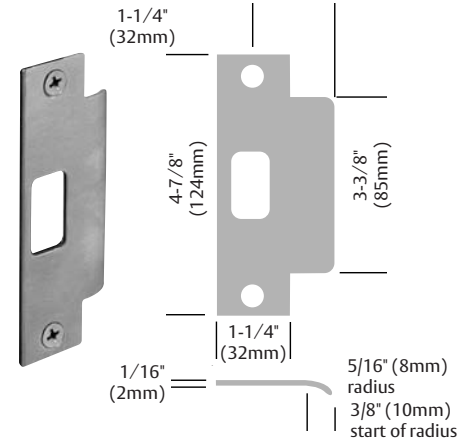
- Finishes: 03, 04, 10, 10B, 10BL, 20D, 32, 32D

2-3/4" Curved Lip Strike – Standard



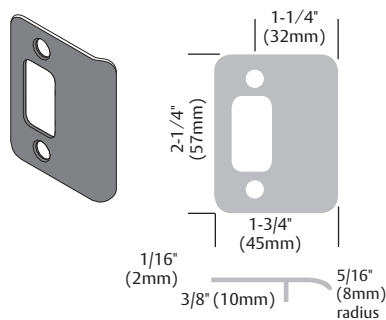
- Furnished standard with 1-1/4" (32mm) curved lip from center of strike screw holes to end of lip
- Lip lengths 1" (25mm), 1-1/4" (32mm) standard, 1-1/2" (38mm), 1-3/4" (44mm) and 2" (51mm)
- To order strike separately, specify 800 strike x finish x lip length

4-7/8" Curved Lip Strike: (28-Option)



- Conforms to ANSI standard
- Furnished standard with curved lip 1-1/4" (32mm) from center of strike screw holes to end of lip
- Lip lengths: 1-1/4" (32mm), 1-3/8" (35mm), 1-5/8" (42mm), 1-7/8" (48mm), 2-1/8" (54mm), 2-3/8" (60mm), 2-5/8" (66mm), 2-7/8" (73mm)
- To order strike separately, specify 808 strike x finish x lip length

2-1/4" Full Lip Strike (14- Option)



- Furnished standard with curved lip 1-1/4" (32mm) from center of strike screw holes to end of lip
- No other lip lengths available
- To order strike separately, specify: 505 strike x finish

Mechanical & Cylinder Options

7 Line Cylindrical Lever Locks

Mechanical Options:

Thin Doors	1-	Adapter plates for 1-3/8" thick doors
Backset Options	20-	2-3/8" Backset Latch with 1" Front, includes shim kits to fit 1-3/8" door
Strike	14-	505 Full Lip Strike
	28-	Strike #808. Lip length 1-1/4". Lip lengths 1-5/8" to 2-7/8" in 1/4" increments only
Security Fasteners	36-	Six lobe security head screws
	37-	Spanner head screws
Lead lined	74-	Lead lined (specify components for inside, outside and/or latch tube)
Tactile Warning Options	75-	Tactile Warning — Handicap warning milled on backside of inside lever
	76-	Tactile Warning — Handicap warning milled on backside of outside lever
	77-	Tactile Warning — Handicap warning milled on backside of both levers
	85-	Tactile Warning — Abrasive coating on inside lever
	86-	Tactile Warning — Abrasive coating on outside lever
	87-	Tactile Warning — Abrasive coating on both levers
Freewheeling Trim	FW-	Freewheeling locking levers (See page 6 for details)
Finish Protection	SG-	MicroShield® antimicrobial clear powder coat (only available with 15 and 26D finishes)
Box Strike	WBS-	Wrought Box Strike
CPC- Option	CPC-	Clear Powder Coat over 26D – 7G05 x LL x 26D x CPC. All orders will continue to be handled as a "special" when CPC is ordered.

Cylinder Options:

Conventional Cylinder	-	SARGENT Conventional Cylinders supplied Standard (nomenclature not required)
Degree Key System	DG1-	SARGENT Degree Key System Level 1 (bump resistant with patented keys)
	DG1-21-	Degree Level 1 Construction Master Keying
	DG1-60-	Degree Level 1 Removable Disposable Construction Core
	DG1-63-	Degree Level 1 Removable Core
	DG1-64-	Degree Level 1 Removable Construction Keyed LFIC
	DG1-65-	Degree Level 1 Unassembled/Uncombined Fixed Core Component Cylinder (packed loose for field keying)
	DG1-63-65	Degree Level 1 Unassembled/Uncombined Removable Core LFIC (packed loose for field keying)
	DG2-	SARGENT Degree Key System Level 2 (geographically exclusive; bump and pick resistant)
	DG2-21-	Degree Level 2 Construction Master Keying
	DG2-60-	Degree Level 2 Removable Disposable Construction Core
	DG2-63-	Degree Level 2 Removable Core
	DG2-64-	Degree Level 2 Removable Construction Keyed LFIC
	DG2-65-	Degree Level 2 Unassembled/Uncombined Fixed Core Component Cylinder (packed loose for field keying)
	DG2-63-65	Degree Level 2 Unassembled/Uncombined Removable Core LFIC (packed loose for field keying)
	DG3-	SARGENT Degree Key System Level 3 (geographically exclusive; UL437 certified; bump and pick resistant)
	DG3-21-	Degree Level 3 Construction Master Keying
	DG3-60-	Degree Level 3 Removable Disposable Construction Core
	DG3-63-	Degree Level 3 Removable Core
DG3-64-	Degree Level 3 Removable Construction Keyed LFIC	
Signature Key System	10-	SARGENT Signature Key System
	10-21-	SARGENT Signature Construction Key System (Lost Ball)
Signature: Large Format Interchangeable Core (Removable Core)	10-63-	SARGENT Signature LFIC (Removable Core) Cylinder
XC- Key System	11-	XC- Key System (not available with other Key Systems, unless specified)
	11-21-	XC- Construction Key System (Lost Ball)
XC- Large Format Interchangeable Core (Removable Core)	11-60-	Hardware to accept XC- Permanent LFIC (Removable Core), Disposable plastic Core- provided
	11-63-	Hardware provided with XC- LFIC (Removable Core) Cylinder - (includes masterkeying, grand masterkeying)
	11-64-	Hardware provided with Keyed construction core to accept XC- LFIC (removable) Permanent Core (ordered separately)
XC- Small Format Interchangeable Cores	11-70-7P-	Lock to accept XC- SFIC (7-Pin) XC- Permanent Cores, plastic disposable core provided
	11-72-7P-	Lock to accept XC- SFIC (7-Pin Keyed Construction Core provided) cylinder Permanent Core ordered separately
	11-73-7P-	Lock supplied with XC- Small Format 7-Pin interchangeable core (includes masterkeying, grand masterkeying)
	11-65-73-7P-	Lock provided to accept XC- Uncombined 7-Pin SFIC (permanent) Core - (packed loose)

Note: Cylinder Options continued on the following page

Mechanical & Cylinder Options, Packaging & Latches

7 Line Cylindrical Lever Locks



Cylinder Options:

Construction Key Systems	21-	SARGENT Lost Ball Construction Keying for Conventional, XC and Signature Series (N/A with 63- or 73-)
	22-	SARGENT Construction Split Key System for Conventional Cylinders (existing systems only) (N/A with 10-, 11-, 63- or 73-)
Large Format Interchangeable Core (Removable Core)	60-	Hardware to accept SARGENT Permanent LFIC (Removable Core), Disposable plastic Core provided (Permanent Cores Ordered Separately)
	63-	Hardware provided with LFIC (Removable Core) Cylinder - (includes masterkeying, grand masterkeying)
	64-	Hardware provided with Keyed construction core to accept LFIC (Removable) Permanent Core (ordered Separately)
Small Format Interchangeable Cores	70-	Lock to accept 6- or 7-Pin SFIC Permanent Cores, plastic disposable core provided
	72-	Lock to accept 6- or 7-Pin SFIC (Keyed Construction Core provided) Cylinder (Permanent Core ordered separately)
	73-	Lock supplied with 6-Pin SFIC (Includes masterkeying, grand masterkeying)
	65-73-	Lock provided to accept Uncombined 6-Pin SFIC (Permanent) Core - (packed loose for field keying)
	65-73-7P-	Lock provided to accept Uncombined 7-Pin SFIC (Permanent) Core - (packed loose for field keying)
	73-7P-	Lock supplied with Small Format 7-Pin Interchangeable Core (includes masterkeying, grand masterkeying)
Keso & Keso F1	80-	Lock to accept Keso and Keso F1 cylinders - no cylinders provided
	82-	Lock provided with SARGENT Keso Security Cylinder
	F1-82-	Lock provided with SARGENT Keso F1 Security Cylinder (Patented)
Bump Resistant	BR-	Bump Resistant Cylinder (available with Conventional & Conventional XC Cylinders only)
Less Cylinder	LC-	Lock supplied less Cylinder
Schlage Keyways	SC-	Schlage C keyway cylinder, 0 bitted
	SE-	Schlage E keyway cylinder, 0 bitted
Accepts Schlage Cylinders	30-	Lever to accept Schlage Cylinder-Cylinder is not provided
	SF-	L Lever to accept Schlage Large Format Interchangeable Core (supplied less core, tailpiece included)

Note: To order the 7 Line lock for use with ASSA V-10 (VA & VS) cylinders, specify the Less Cylinder (LC-) option. V-10 cylinders are available from ASSA, Inc. @ 800-235-7482

Packaging

7G04 x LL
4.3 lbs (1.95 kg)
1 box
41 lbs (18.6 kg)
10 boxes/case

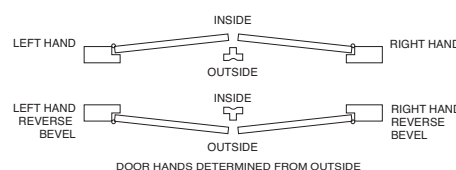
6 Lobe and Spanner Bit Packs

82-3855	6 lobe bit pack 6 bits (Sizes – T8, T9, T10, T15, T20, T25, T27) Requires 9/32" driver
82-3856	Spanner bit pack 5 bits (Sizes – 6, 8, 10, 12, 14) Requires 1/4" driver

Latches

Part No.	Description (backsets)
07-2430	2-3/4" (70mm) standard (deadlocking latch)
07-2432	2-3/4" (70mm) standard (latch)
07-2431	2-3/8" (60mm) 20 Prefix (deadlocking latch)
07-2433	2-3/8" (60mm) 20 Prefix (latch)

Hand



How to Order

10	10-28-	7G05	L	Y	RH	15	Door 3
Quantity	Options*	Lock & Function	Rose	Lever	Hand	Finish	Additional Information
	Available Options Pg 7-8 (Note: 28- for 808 ANSI Strike)	Available Functions Pg 5	Only Available with the L Rose	Available Levers B, Y, L, P & G	RH, LH, RHR, LHR	Available Finishes Pg 6	Such as Item, Heading Number, Door Number, Keyset

* Multiple Options may be selected

Finish	Descriptions	ANSI/BHMA
03	Polished brass, clear coated	605
04	Satin brass, clear coated	606
09	Polished bronze, clear coated	611
10	Satin bronze, clear coated	612
10B	Oxidized bronze, oil rubbed	613
10BE	Dark oxidized satin bronze — equivalent	613E
10BL	Oxidized satin, bronze, clear coated	614
14	Polished nickel, clear coated	618
15	Satin nickel, clear coated	619
20D	Statuary dark bronze, clear coated	624
26	Polished chrome	625
26D	Satin chrome	626
BSP	Black Suede Powder Coat	—
SG- Option	MicroShield® antimicrobial clear powder coat (only available with 15 and 26D finishes)	
CPC- Option	Clear Powder Coat over 26D – 7G05 x LL x 26D x CPC All orders will continue to be handled as a “special” when CPC is ordered.	
Zinc levers are plated to match ANSI/BHMA finish. Split finishes available. Specify outside finish first. Custom colors available, consult factory first.		

Suggested Architectural Specifications - 2.0 Bored Locks

- A. Locks shall be 7 Line as manufactured by SARGENT Manufacturing Company, New Haven, CT.
- B. Locks must be certified ANSI/BHMA A156.2 Series 4000, Grade 2 - and shall meet or exceed 2-1/2 times the cycle requirements of ANSI/BHMA A156.2 Series 4000, Grade 2 with all standard trims.
- C. Locks shall be non-handed with bi-directional lever operation, except the “G” and “Y” lever designs.
- D. Lock levers shall be made of solid material.
- E. Lock shall be available in a minimum of five lever designs.
- F. Locks shall comply with UL10C positive pressure requirements.
- G. Locks required for fire doors shall be listed by Underwriters Laboratories for ratings of 3 hour (A label) and less.
- H. Locks shall mount in a standard 161 door prep (2-1/8 inch dia.) without additional through-bolt preps.
- I. Locks shall have a 2-3/4" (70mm) backset standard, with 2-3/8" (60mm) offered as an option.
- J. Strikes shall be non-handed with a curved lip. Provide wrought boxes with strikes.
- K. Locks shall have brass 6-Pin cylinder, standard.
- L. Provide two, nickel silver keys with each lock.
- M. Locks shall have a five year limited warranty.

SARGENT Manufacturing Company
100 Sargent Drive
New Haven, CT 06511 USA
800-727-5477
www.sargentlock.com

ASSA ABLOY is the global
leader in door opening solutions,
dedicated to satisfying
end-user needs for security,
safety and convenience