

HAND: To change the hand of the holder, remove screws at "G" and reverse arms. Be sure screws are tight after reassembling.

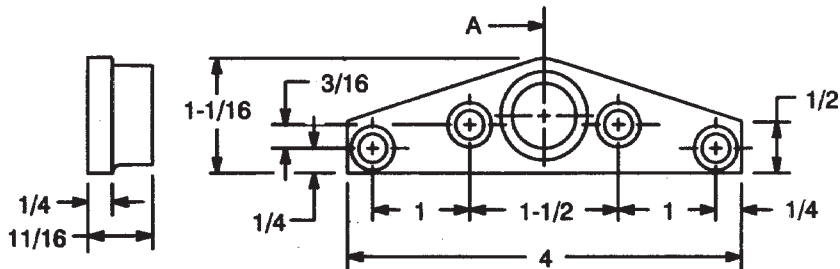
HOLD OPEN: Turn thumbpiece perpendicular to door bracket for hold open and parallel to door bracket for stop only.

NOTES:

- All hollow metal doors and frames should be properly reinforced with 3/16" min. thickness reinforcement plates.
- All drilling and tapping to be done by field men.
- All dimensions are given in inches.

INSTALLATION INSTRUCTIONS

1. Determine degree of hold open required. If door is 1-3/4" thick and 90° hold open is required, use chart on opposite side of page. For other door thicknesses, degrees up to and including 105° hold open and for means of hanging other than center hung and offset pivot, see note on back page.
2. Install jamb bracket on stop strip as noted above and on Template No. OH80030B.



3. Locate door bracket on door as noted above. Thumb piece must be located towards door pivot. Install door bracket with mounting holes 13/16" down from stop strip as shown on opposite side of page.

Screw Details			
	Qty.	Wood	Metal
Jamb	4	#12 x 1-1/2" FHWS	#12-24 x 5/8" FHMS
Door	4	#12-24 x 2-1/4" FHMS Washer and Acorn Nut	

Sex bolts can be furnished for door bracket upon request.

**No. 7 Series
Concealed Door Stops & Holders**

RIXSON®

ASSA ABLOY

www.rixson.com

TEMPLATE NUMBER

OH80030A

DATE

05-09

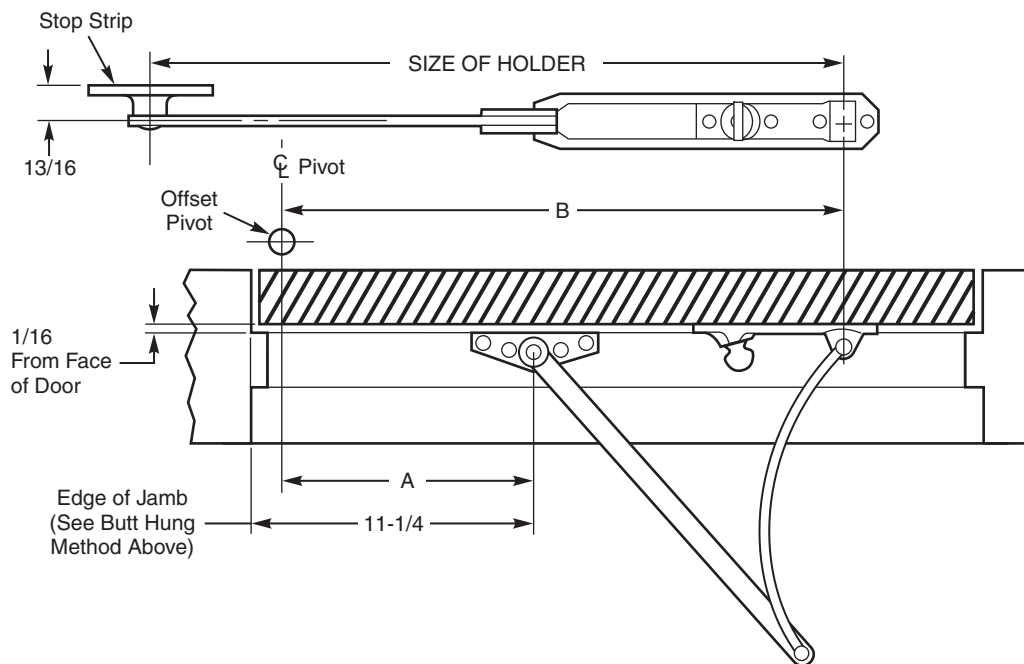
No. 7 Series Surface Mounted Door Stops and Holders

1. See other side for installation instructions.
2. Select proper dimensions noted below.
3. All drilling and tapping to be done by field men.
4. All dimensions given in inches.

For single acting doors only.
Reversible, non-handed.

Door Opening	Holder and Stop	Size of Holder	3/4" Offset Pivot		Center Hung		Butt Hung
			A	B	A	B	
Under 24		Spec.	--	--	--	--	Locate centerline of jamb bracket 11-1/4" from hinge jamb. Open door to desired degree and locate door bracket on door.
24 - 26	7-126	23	8-1/2	18-5/8	Special Holder		
26-1/16 - 30	7-126	23	10-1/2	18-7/16	9-1/4	20	
30-1/16 - 34	7-226	27	10-1/2	22-1/16	9-1/4	23-5/8	
34-1/16 - 39	7-326	31	10-1/2	26-1/8	9-1/4	27-3/4	
39-1/16 - 48	7-426	36	10-1/2	31	9-1/4	32-5/8	

For 90° hold open on 1-3/4" thick doors only.
For doors other than 1-3/4" thick, 90° hold open or 3/4" offset pivots use butt hung method.



**No. 7 Series
Concealed Door Stops & Holders**

RIXSON
ASSA ABLOY

www.rixson.com

TEMPLATE NUMBER

OH80030B

DATE

05-09