

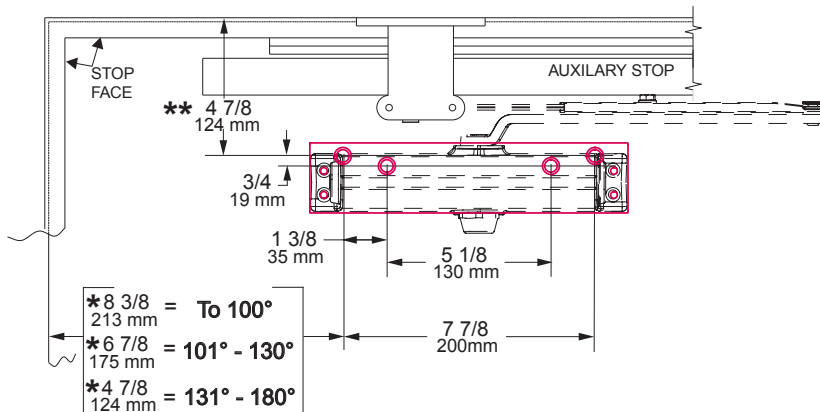
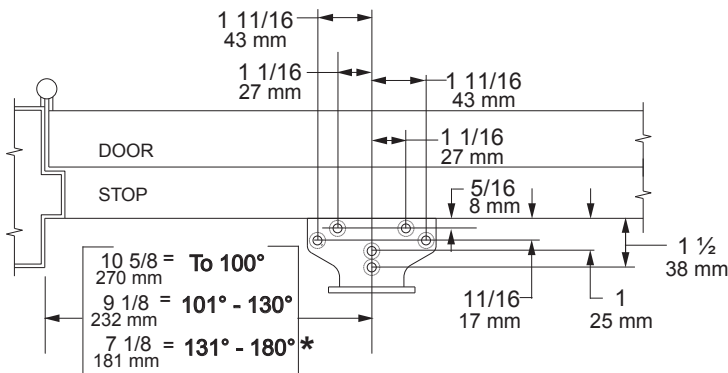
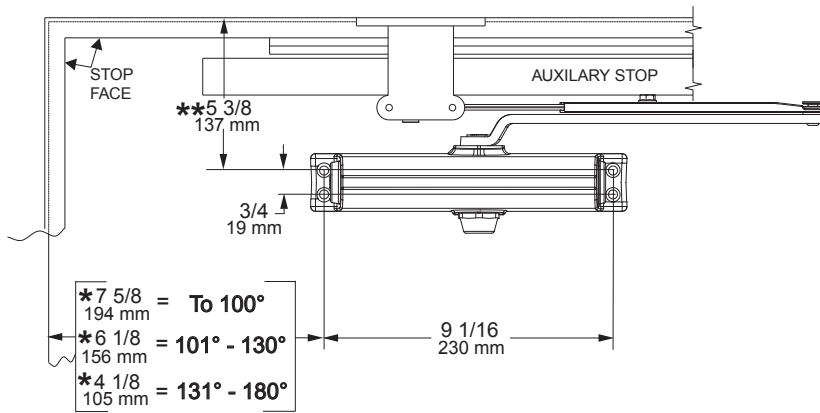
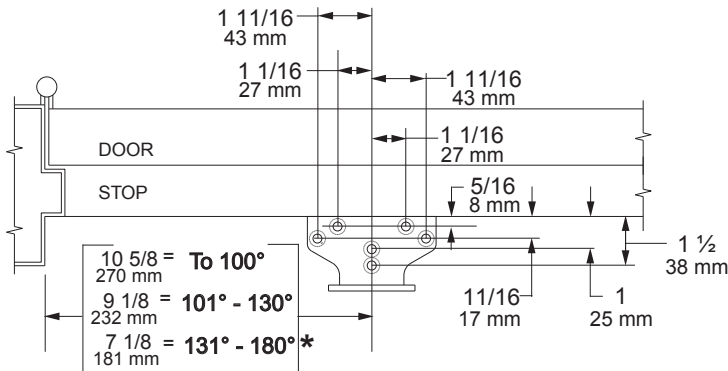


29901

1261-62A Shoe



Installation Instructions

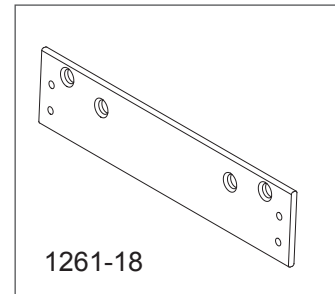


General Notes

- 1a *Locate closer & shoe from centerline of pivot or swing clear hinge pin when used.
- 1b **This dimension is always from the same surface as the shoe is mounted on.
- 1c Top rail less than 6 1/2" requires a drop plate.
- 1d The auxiliary stop is shown for reference only. This template may be used to provide clearance for other types of hardware such as coordinators, sound seals etc.
- 1e Reinforcing per ANSI/SDI-100 recommended for hollow metal doors and frames.
- 1f Closer size is 10" x 2 1/4" x 2 7/8".

ⓘ Attention!

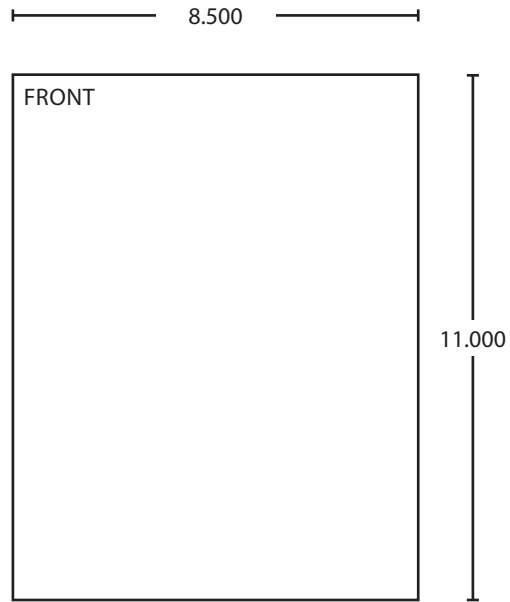
- Stop width 1 1/4" to 3 1/4" mount shoe in rabbet behind stop.
- Stop width over 3 1/4" mount shoe to stop face no closer than 1 1/4" to door face.
- Use the five mounting screws provided.



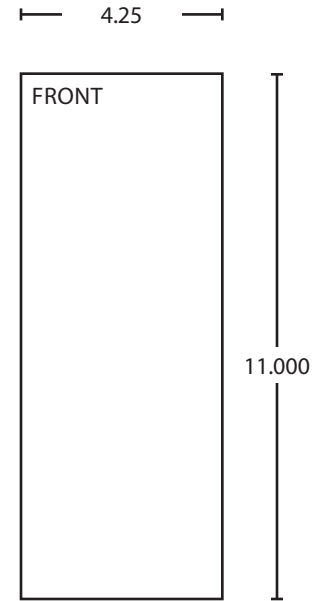
Customer Service

1-877-671-7011 www.allegion.com/us





BEGINNING SHEET



FOLDED SHEET

Additional Notes:
1. None

Revision History						Revision Description:					
A	B	C	D	E	F	B > Revised artwork					
N/A	046206										
Material						Edited By		Approved By		EC Number	Release Date
White Paper						D. Myers		M. Sasso		046206	01-01-14
Notes						Title					
1. printed one side						1260 Series 62A Instruction Sheet					
2. printed black and Pantone Rubine Red C						Creation Date		Number		Revision	
3. tolerance ± .13						04-27-10		29901		B	
4. printed in country may vary						Created By		Activity		© Allegion 2014	
5. drawings not to scale						N/A		3899 Hancock Expwy Security, CO 80911			
						Software: InDesign CS6					