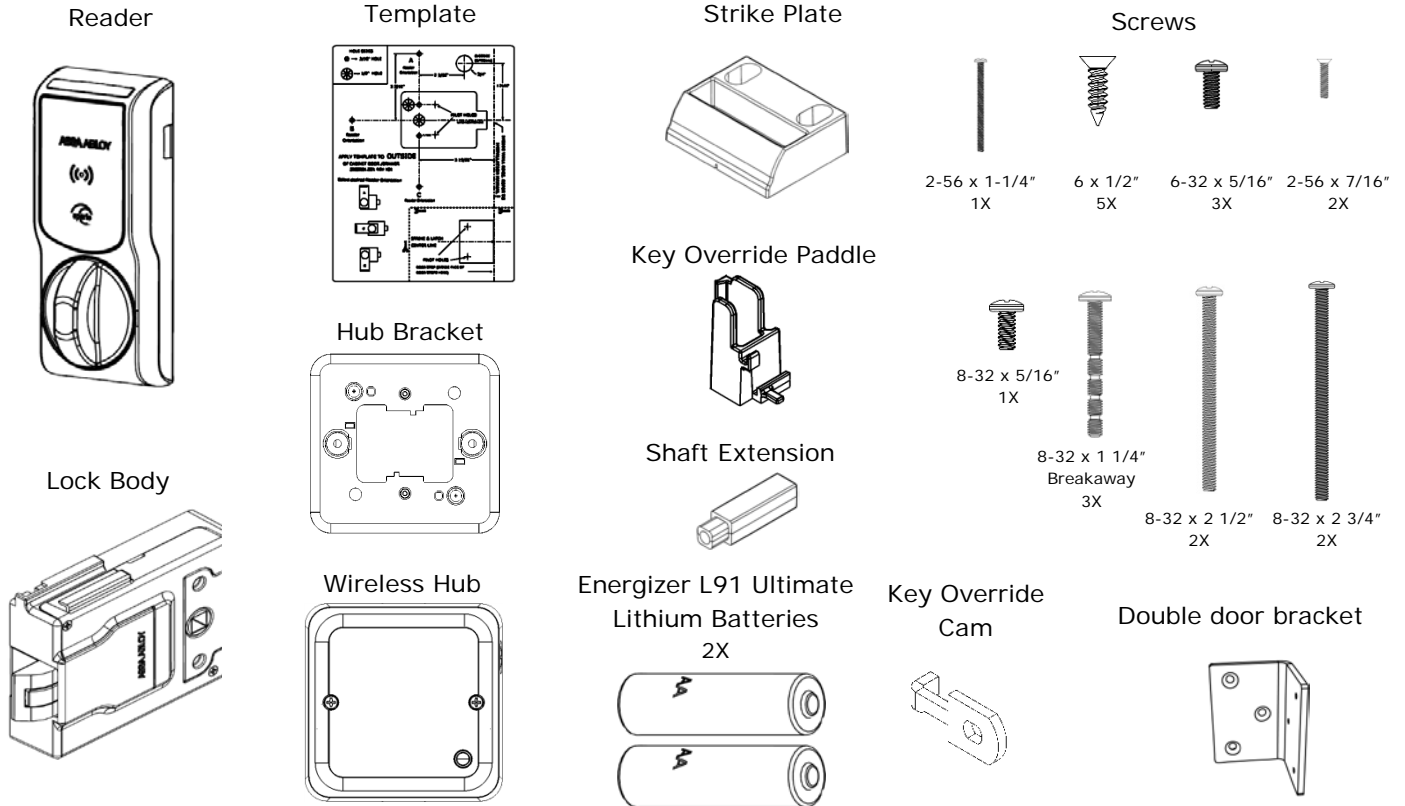


Package Contents

NOTE: The wireless hub and hub bracket are included with the K100-622H model.



Recommended Tools

Drill, Drill bits: 1/16", 3/16", 1/2"

Flathead drivers 3/32", 3/16"

Optional Additional Tools:

Approved iCLASS or Prox ID credential.

Phillips drivers P0, P2

Gang box to mount hub

Pencil, Wire Stripper, Level, Square, Pliers

Cam Lock for Key Override

Product Specifications

Wireless Frequency: 2.4 GHz, IEEE 802.15.4, using AES 128-bit encryption

Hub Power Requirement: 8–24 Volts Direct Current (VDC), 250 milliamps (mA)

Lock Battery Type: Lithium AA Cell, 1.5 Volts (V) (Energizer L91 Ultimate Lithium)

Battery Life: 50,000 cycles

Operating Temperature: 32 °F to 122 °F (0 °C to 50 °C)

FCC Part 15 Compliant, IC Compliant

Credentials Supported: (-PA) Low Frequency model: HID PROX, EM PROX

(-SE) High Frequency model: iCLASS, iCLASS SEOS, iCLASS SE, ISO14443B UID, Mifare, Mifare Plus, Desfire SE, Desfire EV1, NFC



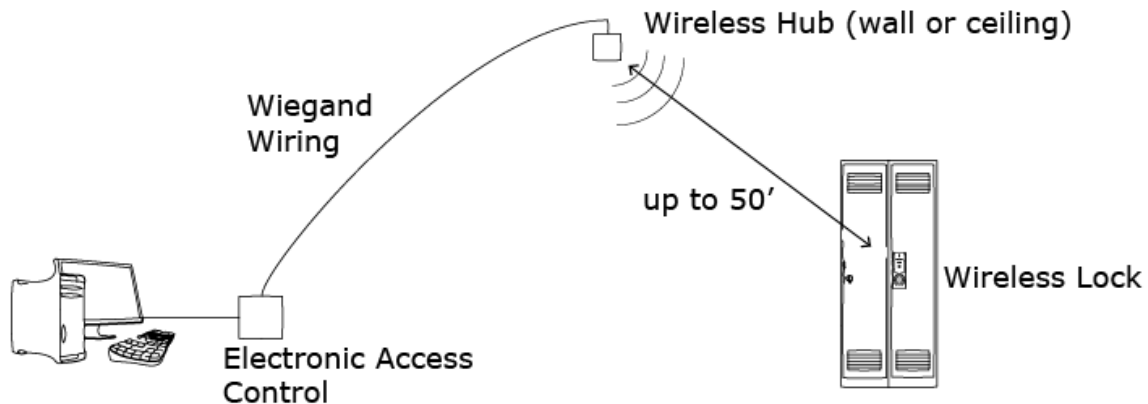
QR codes can be scanned with a smart phone app

For technical support please call 1-800-626-7590

System Overview

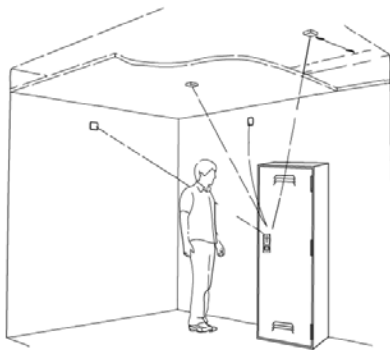
The K100-622 series wireless cabinet lock provides access control to a cabinet or drawer without the complexity and expense of running wires to the cabinet or drawer. The K100-622 series lock connects to an access control through a communication hub (included with the K100-622H). The communication hub connects to the access control system with Wiegand wiring typical of a Wiegand Reader.

When a credential card is presented to the reader on the lock the request for access is sent wirelessly to the communication hub. The communication hub then communicates through Wiegand wiring to the access control system where the decision is made to grant or deny access.

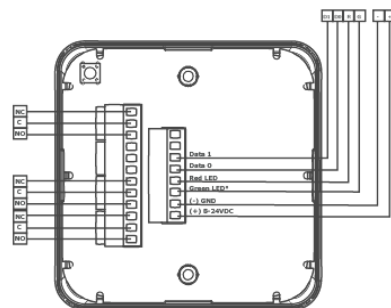


Installation Process

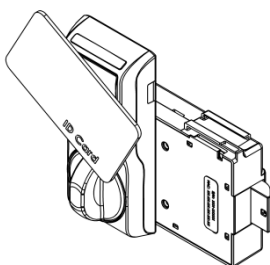
Locating and Mounting the Hub (K100-622H only)



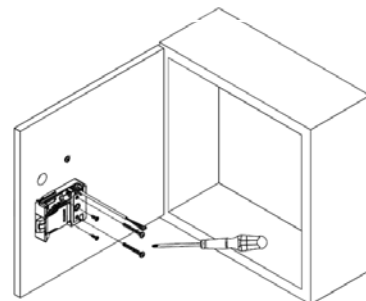
Connecting the Hub (K100-622H only)



Testing the Lock



Mounting the Lock



Choosing the hub location

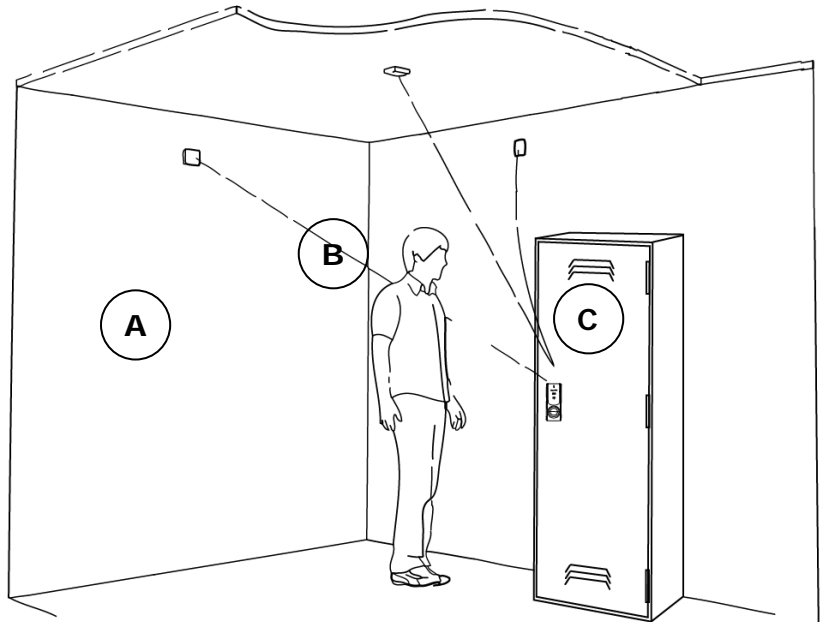
NOTE: The following applies primarily to the K100-622H Model with included hub.

It is recommended that the hub be mounted near the top of a wall, on the ceiling or above the ceiling to reduce potential for interference, and be facing toward the lock for best performance.

For a stable and reliable radio link, it is recommended that the hub is located within fifty (50) feet of the lock. A maximum of two interior walls between the hub and lock is recommended.

Recommended locations:

- A: Wall Mount
- B: Ceiling Mount
- C: Wall Mount, Adjacent Room

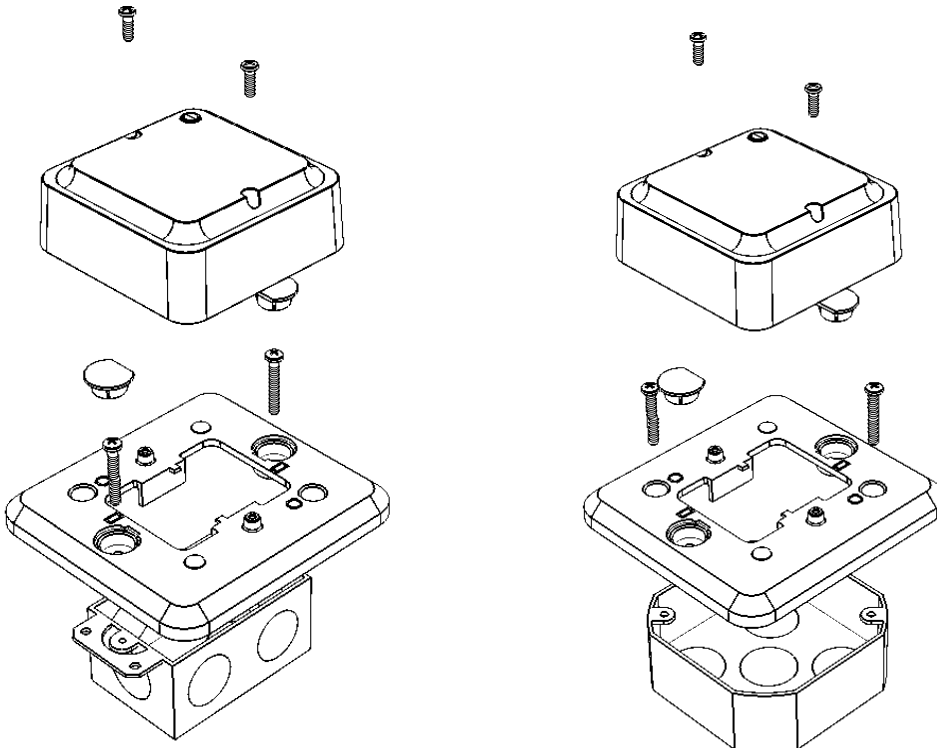


NOTE: The hub is not rated for use in plenum air spaces.

Mounting the Hub

NOTE: The following applies primarily to the K100-622H Model with included hub.

The included adapter plate can be used to mount the hub on a single or double gang box.

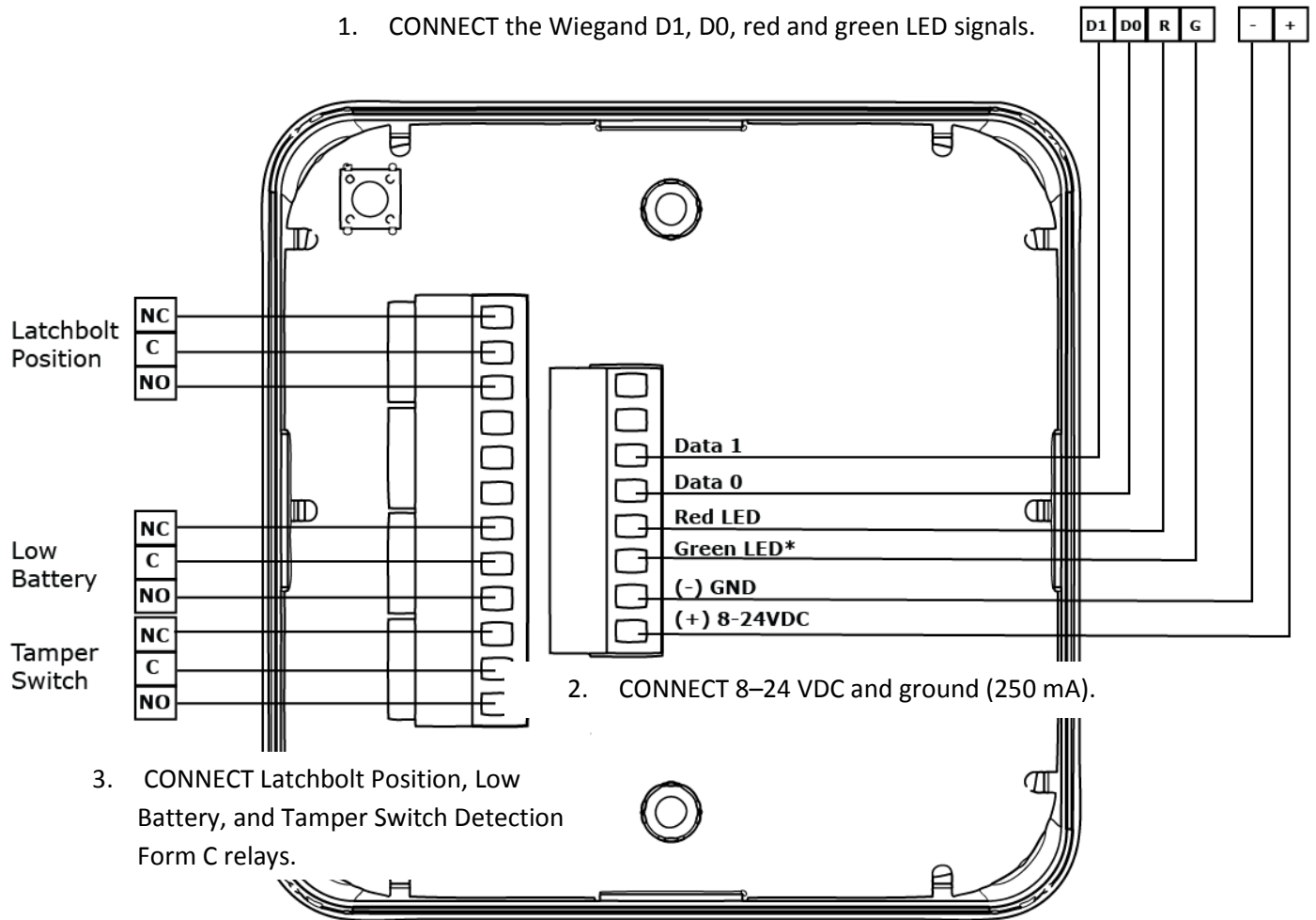


Mounting the Hub

Connecting the Hub

NOTE: The following applies primarily to the K100-622H Model with included hub.

The Aperio[®] Hub connects to the Access Control system via Wiegand wiring. The hub requires 8–24 VDC power (250mA). The hub includes three Form C relays that can be used to transmit latch bolt position status, low battery signal, and a tamper signal. The hub connects to the cabinet lock wirelessly.



NOTE 1: The **Green LED** input is used to grant access to the cabinet lock. If the Green LED signal is not available to indicate approved access, the approval input can be activated by a relay with “NO” attached to Green LED and “C” to GND.

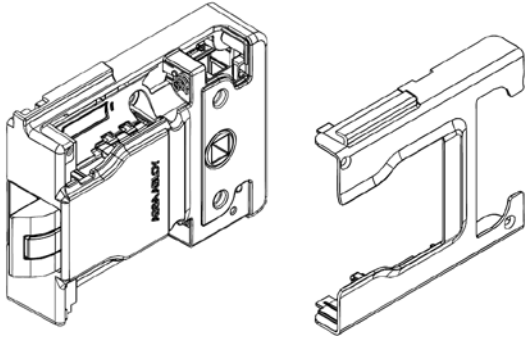
NOTE 2: The **Red LED** input is used to indicate access denied. If the RED LED signal is not connected, the lock will flash RED three times when a non-approved card is presented indicating loss of connection to the hub rather than access denied. Any other codes may be reference on the LED reference card.



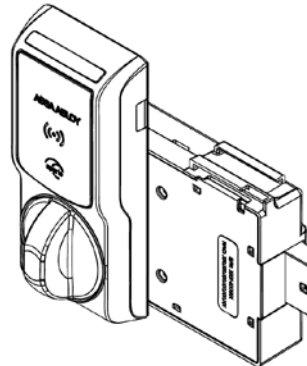
Testing the Lock with the Access Control System

NOTE: With the hub connected to power and the access control system, the lock is tested with a known good credential to confirm it will open as desired when installed.

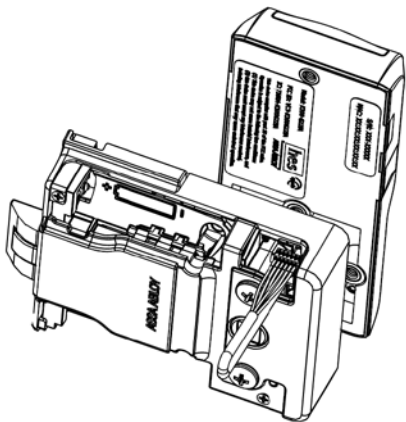
1. REMOVE the battery cover from the lock body.



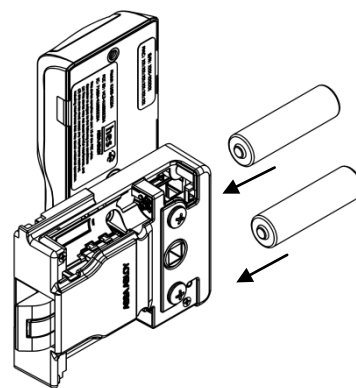
2. PASS the wire and shaft from the reader through the lock body.



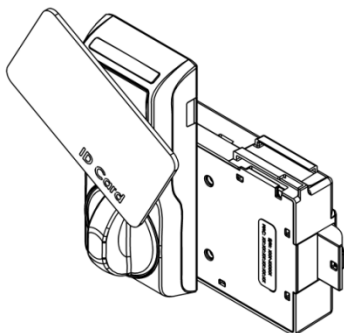
3. CONNECT the wire (the wire is keyed) from the reader to the socket in the lock battery



4. INSTALL the batteries and ENSURE correct orientation; the lock will self test and beep once.



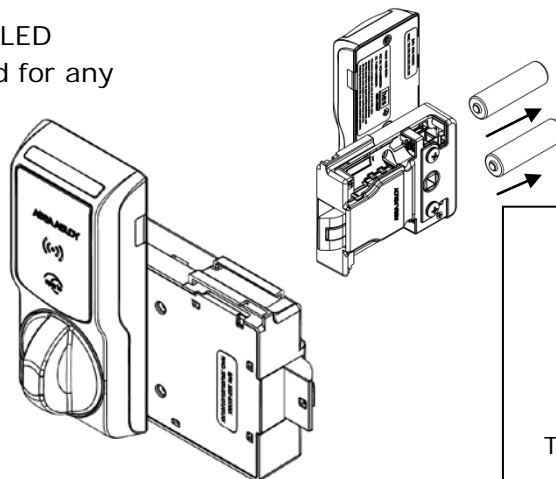
5. PRESENT a credential known to the access control system.



6. **IF** a green LED, indicating access is granted, is lit; **THEN TWIST** the knob to retract the latch.

8. REMOVE the batteries, UNPLUG the cable carefully, and SEPARATE the lock and reader to prepare for installation.

7. REFER to the LED reference card for any other codes.

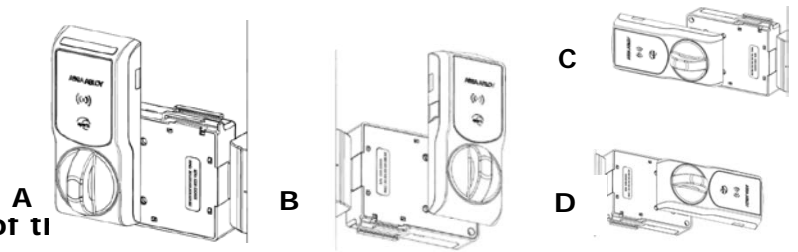


*****CAUTION*****

The Installer must ensure the lock can be opened before closing the cabinet at the end of these installation instructions.

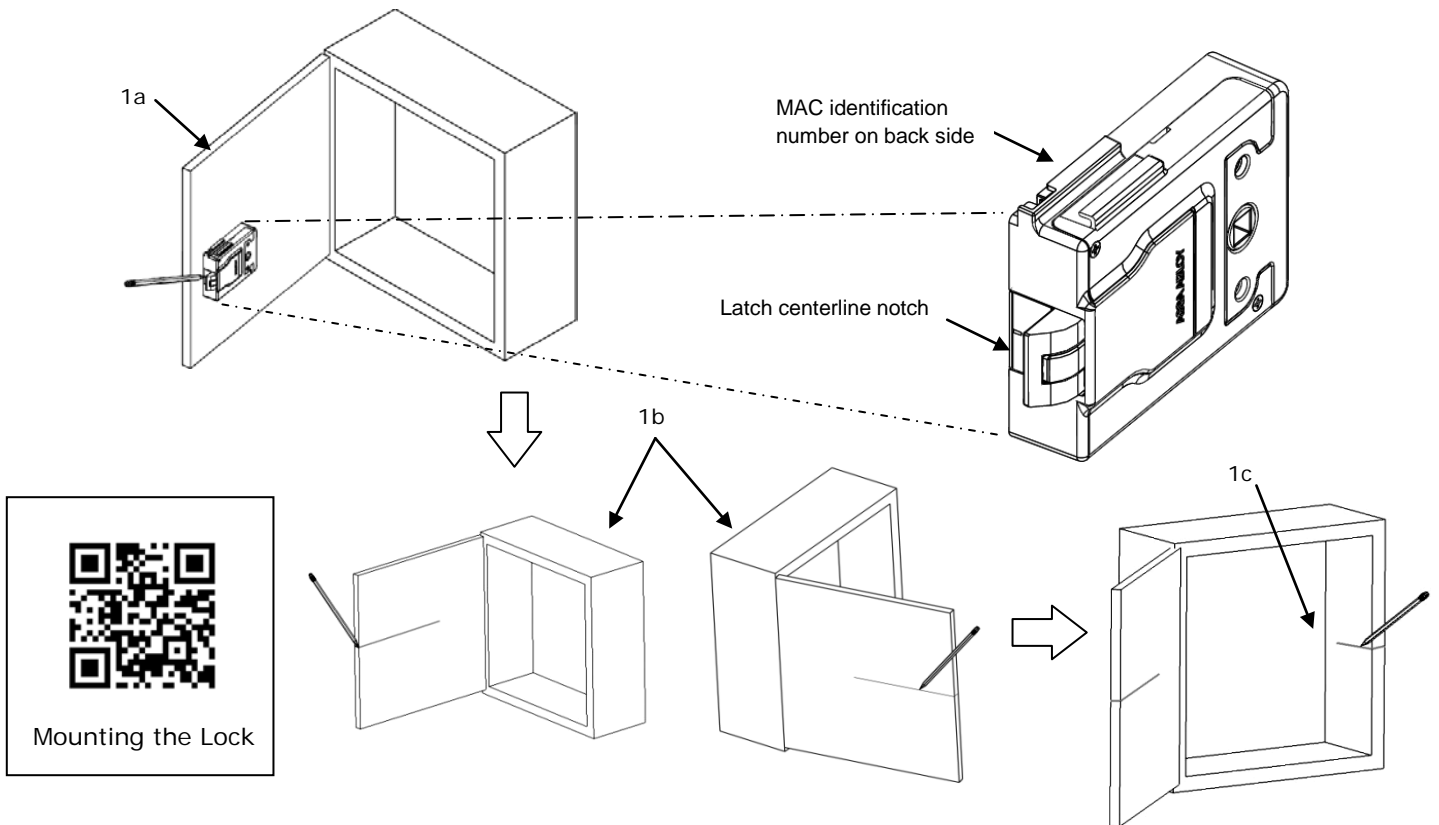
Mounting the Lock

NOTE: The K100-622 reader and lock body can be oriented in several ways to accommodate various cabinets and drawers.



1. ESTABLISH the horizontal centerline of the door

- 1a. HOLD the lock body to the inside of the door and POSITION it generally where you would like it to mount.
- 1b. LOCATE the lock centerline notch on the latch and MARK this point on the inside of the cabinet door using a pencil.
- 1c. DRAW the horizontal latch centerline from this mark on the inside of the cabinet door and TRANSFER it to the outside of the cabinet door.
- 1d. TRANSFER this centerline to the inside of the cabinet or the second door on a double-door cabinet.
- 1e. RECORD the MAC identification number for transfer to Aperio software.

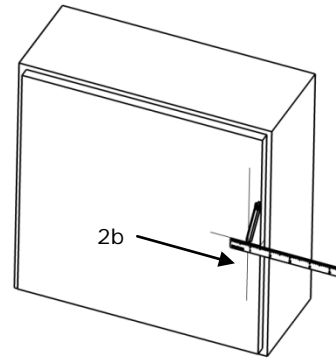
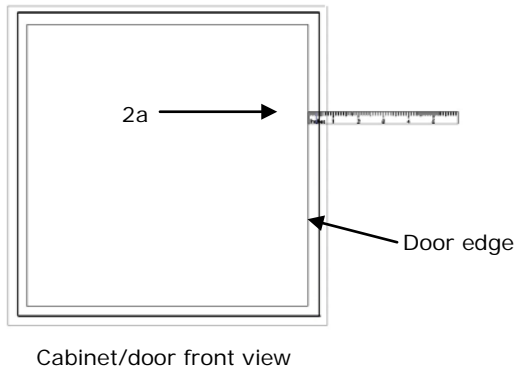


2. TRANSFER the location of the inside wall of the cabinet to the door.

2a. MEASURE the horizontal distance between the inside edge of the cabinet and the door edge.

NOTE: The drawn line depicts the location of the strike mounting surface.

2b. DRAW a line on the **outside** surface of the door, using the same distance away from the door edge.



3. PLACE and USE the Lock/Reader Template.

NOTE: Orientation will be reversed for a right hand door.

3a. CUT through line to separate the Strike Plate Template.

3b. PEEL OFF the protective layer of the Lock Template, ALIGN it to both the latch centerline and the line depicting the inside wall of cabinet, and PRESS to secure.

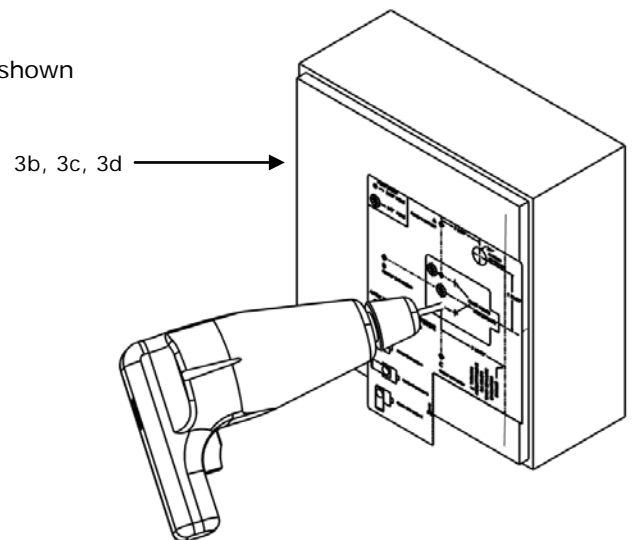
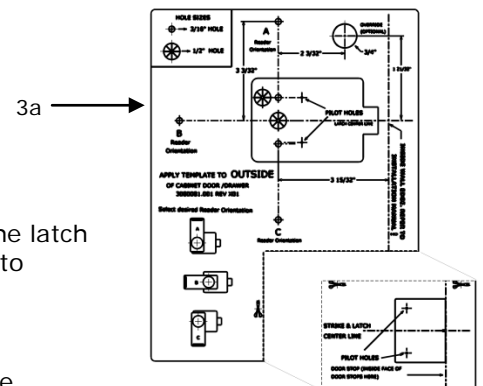
NOTE: Two of the holes in the following step are 3/16" diameter and two are 1/2" diameter. The two pilot holes are 1/16".

3c. DRILL four holes and two pilot holes through the cabinet, as shown in the figure below.

3d. DRILL only one 3/16" hole depending on the desired Antenna/Reader orientation.

3e. **IF** the optional Key Override will be installed, **THEN GO TO** Step 5.

3f. REMOVE the lock template from the door.



4. INSTALL the Shaft Extension.

4a. **IF** the cabinet door thickness is greater than 1/2", **THEN** INSTALL the Shaft Extension to the Antenna/Reader to ensure proper engagement into the lock.

4b. INSTALL the Shaft Extension to the shaft as shown in the figure and firmly **TIGHTEN** the screw.

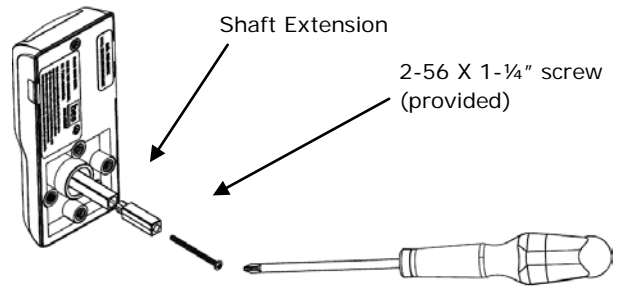


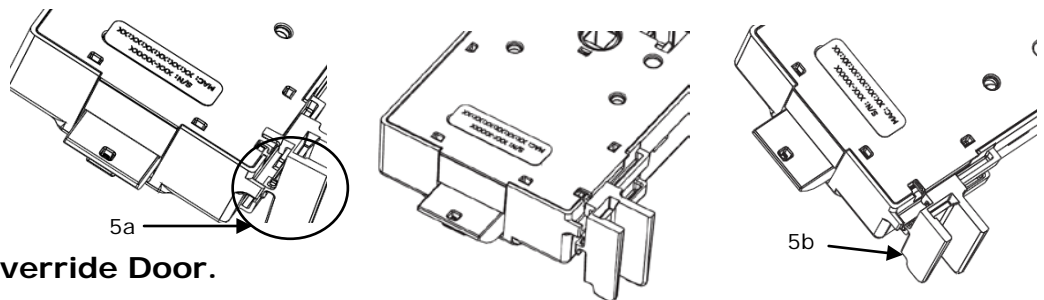
Table 1

Door Thickness	Extension Shaft Used?
1/16" – 1/2"	No
> 1/2" – 1 1/2"	Yes

5. IF a Cam Lock Key Override will be used, AND the orientation allows for installation, THEN INSTALL the Key Override Paddle.

5a. INSERT the Paddle's arm into the opening shown, and ALIGN the rails of the paddle to the ones on the lock.

5b. SLIDE the paddle gently until it stops.

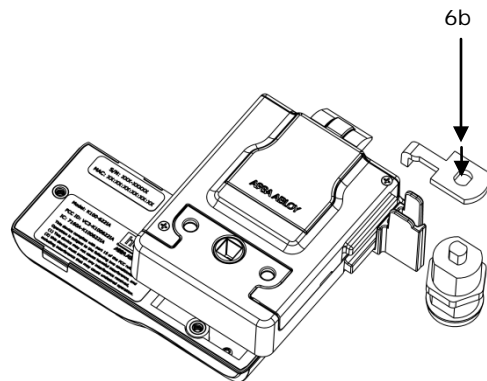
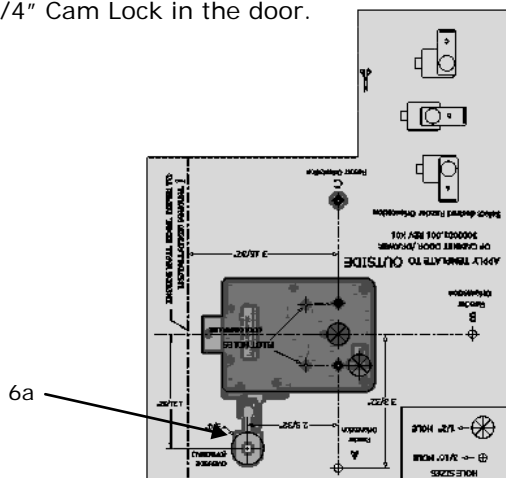


6. PREPARE the Key Override Door.

NOTE: The Cam Lock is optional and must be obtained by others.

6a. **IF** a Key Override is used, **THEN** USE template to mark and drill a hole for a 3/4" Cam Lock in the door.

6b. INSTALL the optional Cam Lock with the cabinet lock as shown in the figure.

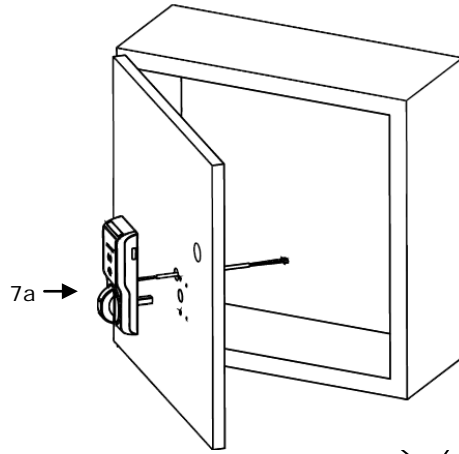


7. INSTALL the Antenna/Reader.

*****CAUTION*****

Pinching the wires may prevent the Reader and Lock from properly functioning.

- 7a. PLACE and HOLD the antenna/reader to the outside of cabinet, routing the wire through the 1/2" offset hole, and ENSURE the knob is in the locked position in the vertical.



NOTE: Using the Table 2 below will help determine the length of the top mount screw needed, based on the thickness of the cabinet door.

- 7b. INSTALL the top mount screw to attach the antenna/reader to the outside case.

Reader mount

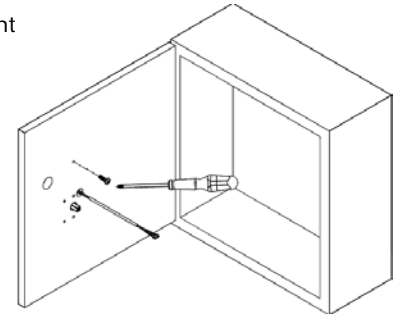


Table 2

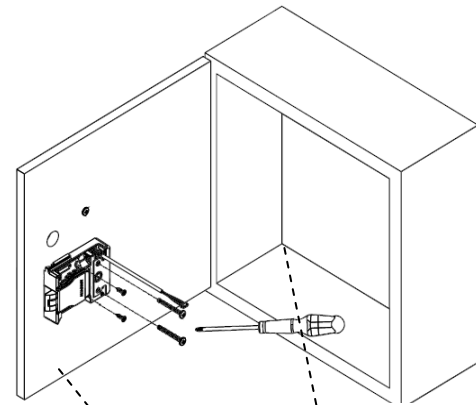
Door Thickness	Reader Mounting	Cut to approx. screw length	Lock Mounting	Cut to approx. screw length
1/16"	8-32 X 5/16"	No cut	8-32 X 1-3/4" Break Away	1-1/16"
1/4"	8-32 X 5/16"	No cut	8-32 X 1-3/4" Break Away	1-3/4"
1/2"	8-32 X 1-3/4" Break Away	5/8"	8-32 X 1-3/4" Break Away	1-7/16"
3/4"	8-32 X 1-3/4" Break Away	7/8"	8-32 X 1-3/4" Break Away	No cut
1"	8-32 X 1-3/4" Break Away	1-1/8"	8-32 X 2-1/2"	2"
1-1/4"	8-32 X 1-3/4" Break Away	1-3/8"	8-32 X 2-1/2"	No cut
1-1/2"	8-32 X 1-3/4" Break Away	No cut	8-32 X 2-3/4"	No cut

8. INSTALL the lock.

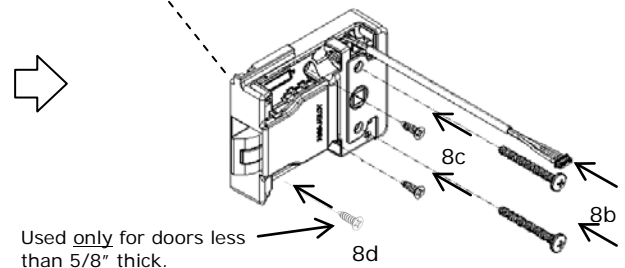
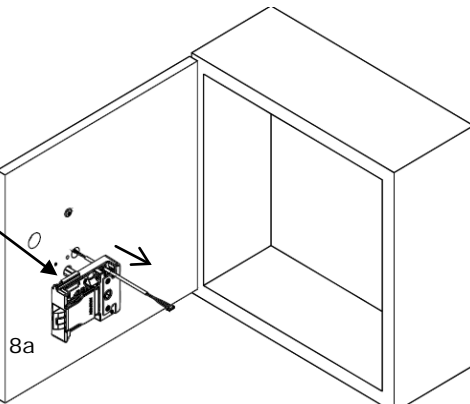
- 8a. REMOVE the battery cover from lock.
- 8b. PLACE the lock on the inside of the door, threading the cable through the lock.
- 8b. ATTACH the lock to the antenna/reader using two 8-32 lock mount screws (see Table 2 for length), and TIGHTEN the screws.
- 8c. INSTALL the two #6 self-threading screws and TIGHTEN.

NOTE: The third #6 self-threading screw is important to achieve maximum holding force for doors greater than 5/8" thick.

- 8d. INSTALL the third #6 self-threading screw only if the door is more than 5/8" thick, using the lock as a guide, and TIGHTEN.



Cable is threaded through the hole in the lock.

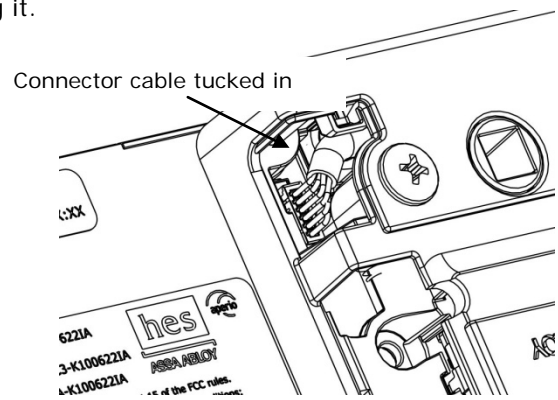
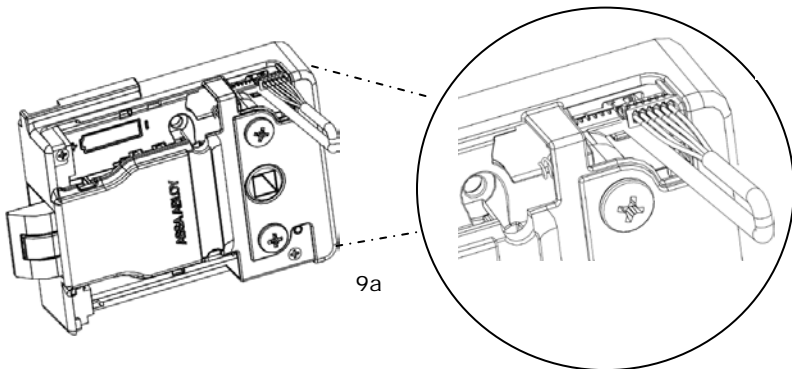


Used only for doors less than 5/8" thick.

9. Electrically CONNECT the antenna/reader wire to the lock body.

NOTE: The antenna/reader wire connector is keyed to only fit one way.

9a. ENSURE correct orientation of the connector while inserting it.



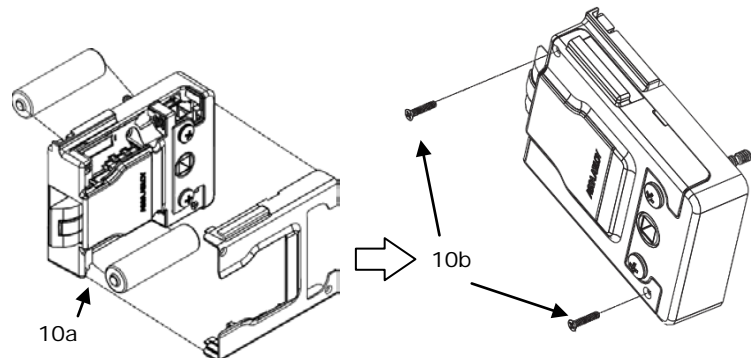
9b. TUCK excess cable into lock body as shown.

10. INSTALL the Batteries.

NOTE: New batteries should always be used and inserted in the correct polarity position.

10a. INSTALL the battery and battery cover.

10b. INSTALL and TIGHTEN the screws.

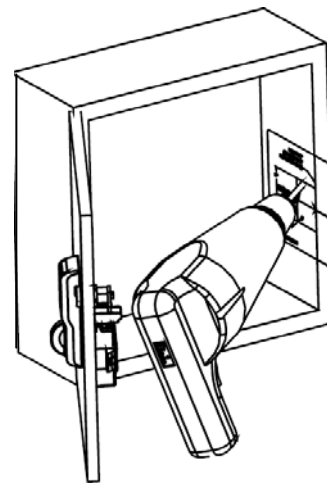


11. PLACE the single-door Strike Plate Template.

11a. PEEL OFF the protective layer of the Strike Plate Template and ALIGN it to both the latch centerline and the edge of cabinet.

11b. DRILL two pilot holes as shown on template.

11c. REMOVE the template.



*****CAUTION*****

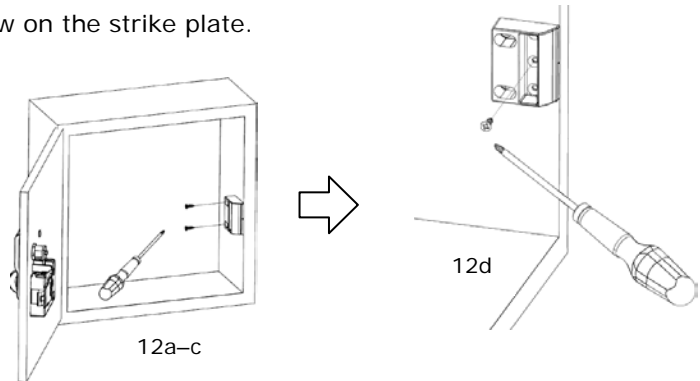
The Installer must ensure the lock can be opened before closing the cabinet.

12. INSTALL the single-door strike plate.

12a. PLACE the strike plate over the pilot holes, and INSERT and TIGHTEN the two screws in the slotted holes.

12b. CLOSE the door to verify installation, and ADJUST the strike plate if necessary.

12d. INSERT and TIGHTEN the lock down screw on the strike plate.



OPTIONAL DOUBLE-DOOR INSTALLATION

13. INSTALL the Double-Door Strike Plate Mounting Bracket

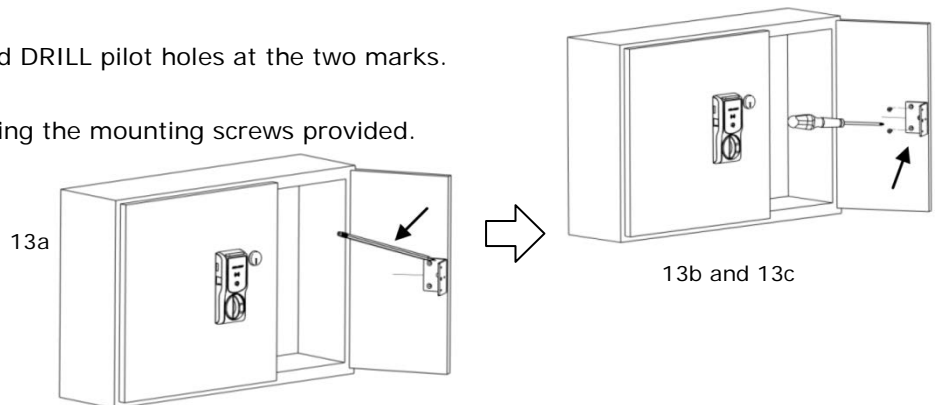
NOTE: The double-door bracket requires that one door can be secured.

13a. PLACE the bracket on door, making sure it aligns with the mark made in Step 2c and the edge of the door.

13b. MARK the door.

13c. REMOVE the bracket and DRILL pilot holes at the two marks.

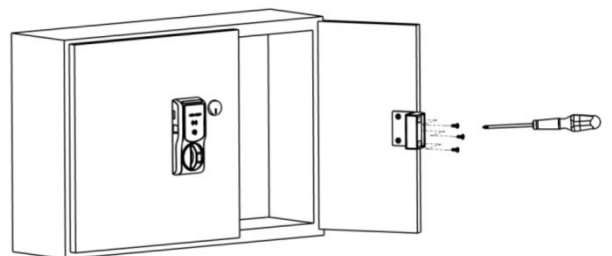
13d. INSTALL the bracket using the mounting screws provided.



14. INSTALL the double-door strike plate.

14a. PLACE the strike plate over the holes on the bracket.

14b. INSERT and TIGHTEN the three 6-32 X 5/16" screws provided.



WARNING

FCC Statement

This equipment has been tested and found to comply with the limits for a class B digital device, pursuant to part 15 of the FCC Rules. These limits are designed to provide reasonable protection against harmful interference in a residential installation. This equipment generates, uses, and can radiate radio frequency energy and if not installed and used in accordance with the instructions, may cause harmful interference to radio communications. However, there is no guarantee that interference will not occur in a particular installation. If this equipment does cause harmful interference to radio or television reception, which can be determined by turning the equipment off and on, the user is encouraged to try to correct the interference by one or more of the following measures:

1. Reorient or relocate the receiving antenna.
2. Increase the separation between the equipment and receiver.
3. Connect the equipment into an outlet on a circuit different from that to which the receiver is connected.
4. Consult the dealer or an experienced radio/TV technician for help.

Operation with non-approved equipment is likely to result in interference to radio and TV reception. The user is cautioned that changes and modifications made to the equipment without the approval of manufacturer could void the user's authority to operate this equipment.

IC Statement

This device complies with Industry Canada license-exempt RSS standards(s). Operation is subject to the following two conditions:

- (1) This device may not cause interference, and
- (2) This device must accept any interference, including interference that may cause undesired operation.

Conformité aux normes FCC

Cet équipement a été testé et trouvé conforme aux limites pour un dispositif numérique de classe B, conformément à la Partie 15 des règlements de la FCC. Ces limites sont conçues pour fournir une protection raisonnable contre les interférences nuisibles dans une installation résidentielle. Cet équipement génère, utilise et peut émettre des fréquences radio et, s'il n'est pas installé et utilisé conformément aux instructions du fabricant, peut causer des interférences nuisibles aux communications radio. Rien ne garantit cependant que l'interférence ne se produira pas dans une installation particulière. Si cet équipement provoque des interférences nuisibles à la réception radio ou de télévision, qui peut être déterminé en comparant et en l'éteignant, l'utilisateur est encouragé à essayer de corriger les interférence par une ou plusieurs des mesures suivantes:

1. Réorienter ou déplacer l'antenne de réception.
2. Augmenter la distance entre l'équipement et le récepteur.
3. Branchez l'appareil dans une prise sur un circuit différent de celui auquel le récepteur est connecté.
4. Consultez votre revendeur ou un technicien radio / TV pour assistance. Avertissement

Les changements ou modifications à cet appareil sans expressément approuvée par la partie responsable de conformité pourraient annuler l'autorité de l'utilisateur de faire fonctionner cet équipement.

Conformité aux normes IC

Cet appareil est conforme avec Industrie Canada exempt de license RSS standard(s). Son fonctionnement est souimes aux deux conditions suivantes:

- (1) cet appareil ne peut causer d'interférences, et
- (2) cet appareil doit accepter toute interference, y compris des interférences qui peuvent provoquer un fonctionnement indésirable du périphérique.

For Technical Support please call 1-800-626-7590