

**Notes:**

1. Do not scale drawing.
2. Dimensions are given in inches (mm).
3. Pivot drilled for 1/4-20 x 5/8" FHMS or #14 x 1-1/2 FHWS
4. To obtain maximum door opening when activating switch, turn adjusting screw clockwise. To reduce door opening to activate switch, turn adjusting screw counter clockwise. **IMPORTANT! DO NOT FORCE ADJUSTING SCREW WHEN ADJUSTING FOR DOOR OPENING.**
5. Right hand shown.

**CS-EM19 Intermediate Pivot  
For Monitoring & Power Transfer  
1-1/2" Offset – Handed**

**RIXSON®**  
**ASSA ABLOY**

www.rixson.com

TEMPLATE NUMBER

**IS-CSEM19 x 1-1/2**

DATE

**07-09**

# CSEM19 x 1-1/2 Side Jamb Pivot

Handed

## Installation Instructions

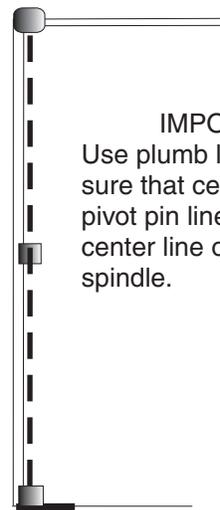
1-1/2" Offset

Door should already be hung with top pivot and bottom pivot (or floor closer)

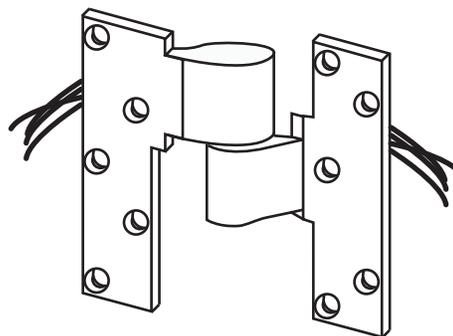
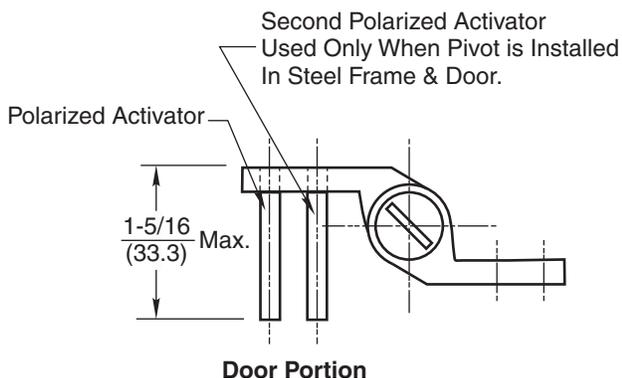
1.  Mortise door & frame per template on reverse side.

2.  Affix pivot to door & frame.

3.  Align pivot point from top pivot to bottom arm. (See diagram)



**IMPORTANT:**  
 Use plumb line to make sure that center line of top pivot pin lines up with center line of bottom spindle.



**IMPORTANT:** Prepare door and frame per instructions on reverse side. Door must be hung before the pivot is installed. Do not use vertical adjusting screw to change height of pivot.

**ALIGNMENT:** To insure proper installation, the centerline of the side jamb pivot must be in line with the centerline of the top and bottom pivot points. See illustration.

**PIVOT INSTALLATION:**

**NOTE:** Open door and connect wires on the jamb portion to the wires in the frame. Push the wires back into the frame as the jamb portion is set into place in the frame mortise. Install the 5 jamb screws. Install the door portion with 4 screws.

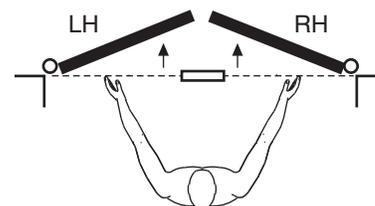
Test the electrical installation for proper operation of the wired door devices.

Maximum Switching Voltage 28 VDC., AC.  
 Maximum Switching Current .3 AMP Resistive

Red Wire is Common  
 When Door is Open—Blue Wire is Normally Open  
 Brown Wire is Normally Closed

**NOTE:** Leaves may not be separated!

**How To Determine Hand of Door**



Face a door swinging open away from you. If it opens to the right, it is right hand. If it opens to the left, it is left hand.

**CS-EM19 Intermediate Pivot  
 For Monitoring & Power Transfer  
 1-1/2" Offset – Handed**

**RIXSON®**  
**ASSA ABLOY**

www.rixson.com

TEMPLATE NUMBER

**IS-CSEM19 x 1-1/2**

DATE

**07-09**