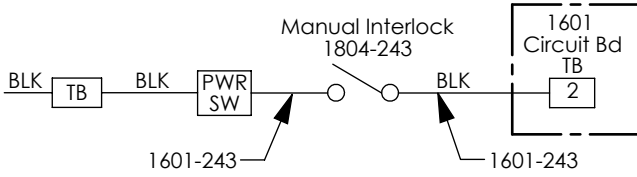
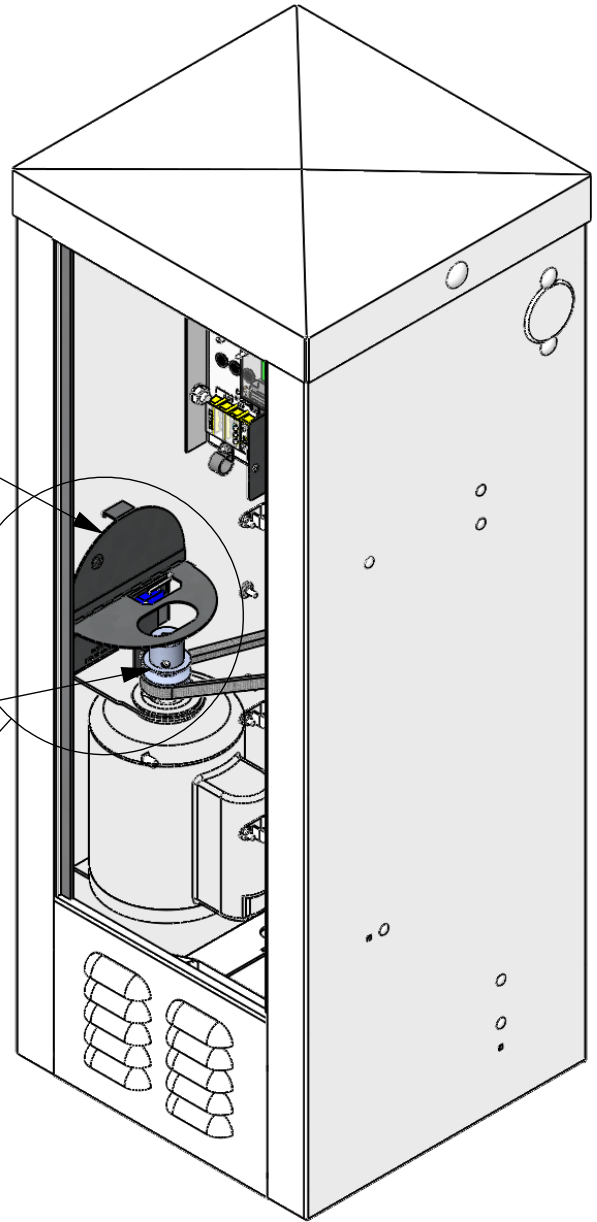
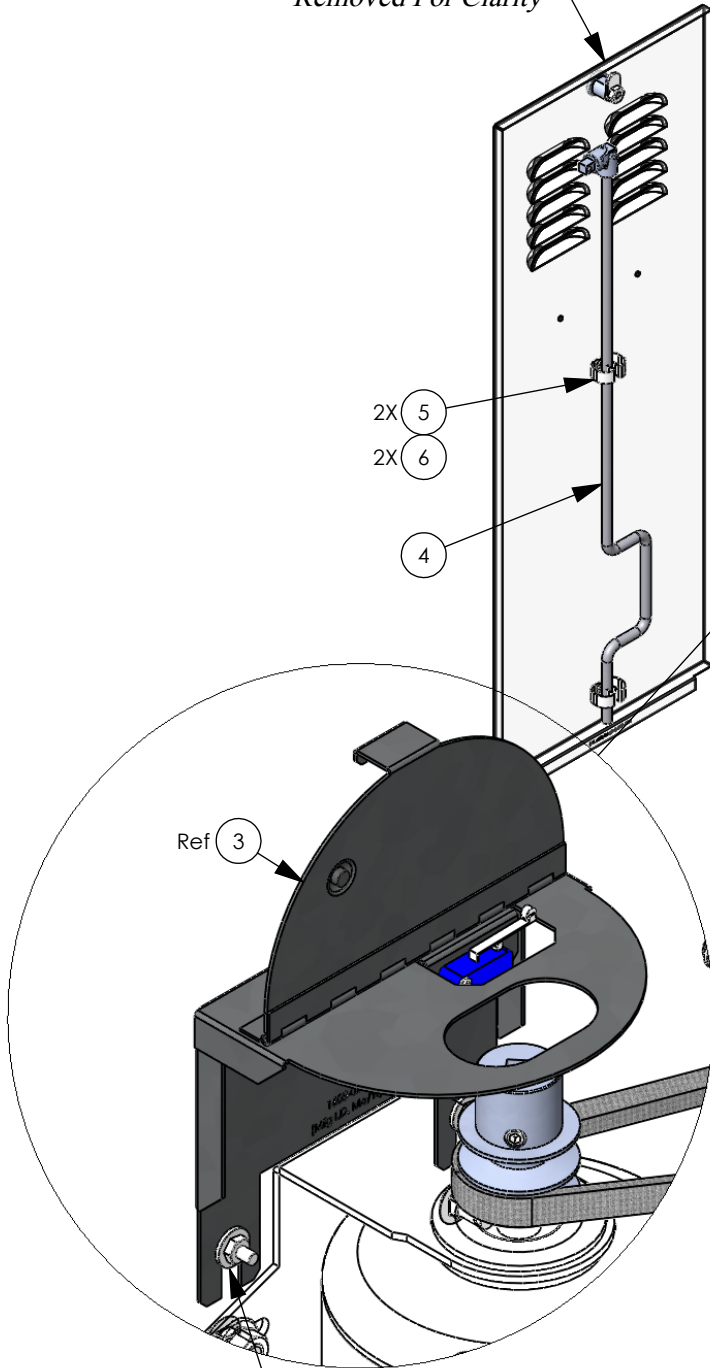


REVISIONS

EO	REV	DESCRIPTION	Drawn	APPR
---	A	Production Release	Sal 06/12/08	D.C. 06/12/08



Rear Louver Vent
Removed For Clarity



***Field Install Kit is Part Number 1601-270**

ITEM	P/N	DESCRIPTION	QTY
1	1601-870	IPB-Interlock Manual Crank	1
2	1603-002	Pulley Double Parking Gate	1
3	1603-030	Manual Interlock Assy	1
4	1603-001	Crank Handle 1603	1
5	2902-003	Nut Nylon Lock 6-32	2
6	2600-214	Spring Clip For Crank Handle	2
7	1601-243	Wire Set Interlock	1

Use existing Hardware
when Mounting
Manual Interlock Assy

1. See attached reference sheet for BOM;
Reference Movex 1601-270 Rev A.

Notes: Unless Otherwise Specified.

PROPRIETARY AND CONFIDENTIAL
THE INFORMATION CONTAINED IN THIS
DRAWING IS THE SOLE PROPERTY OF
Door King. ANY REPRODUCTION IN
PART OR AS A WHOLE
WITHOUT THE WRITTEN PERMISSION OF
Door King IS PROHIBITED.

	NAME	DATE
DRAWN	Sal	02/23/08
CHECKED		
COMMENTS:		



IPB-
Interlock Manual Crank

SIZE	DWG. NO.	REV.
A	1601-870	A
Scale: None		SHEET 1 OF 1