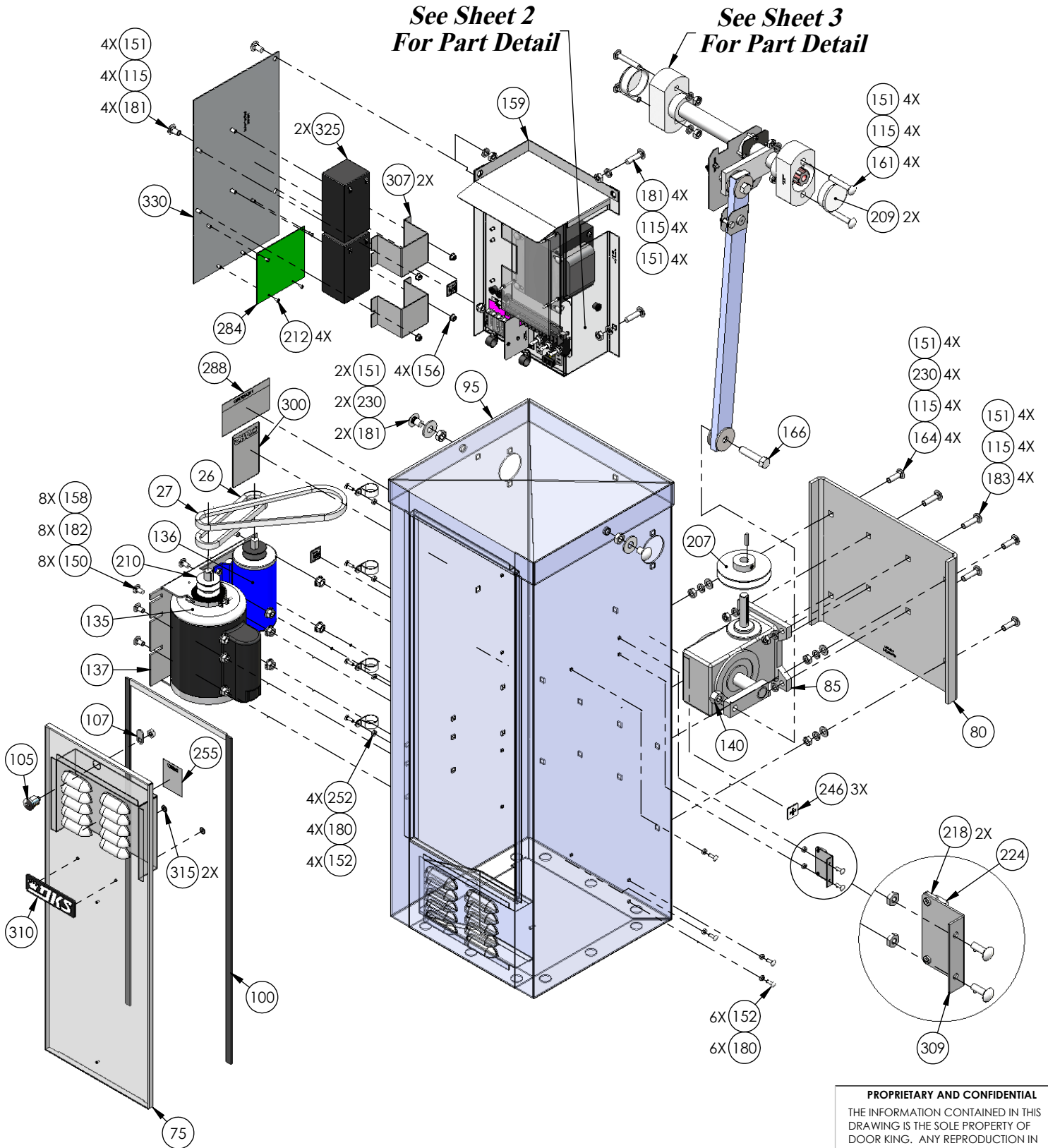


REVISIONS

REV	DESCRIPTION	DATE	APPR
P	Item 249 Was: 2340-165; Added 2340-166.	Sal 11/19/08	D.C. 11/19/08




See Sheet 2  
For Part Detail

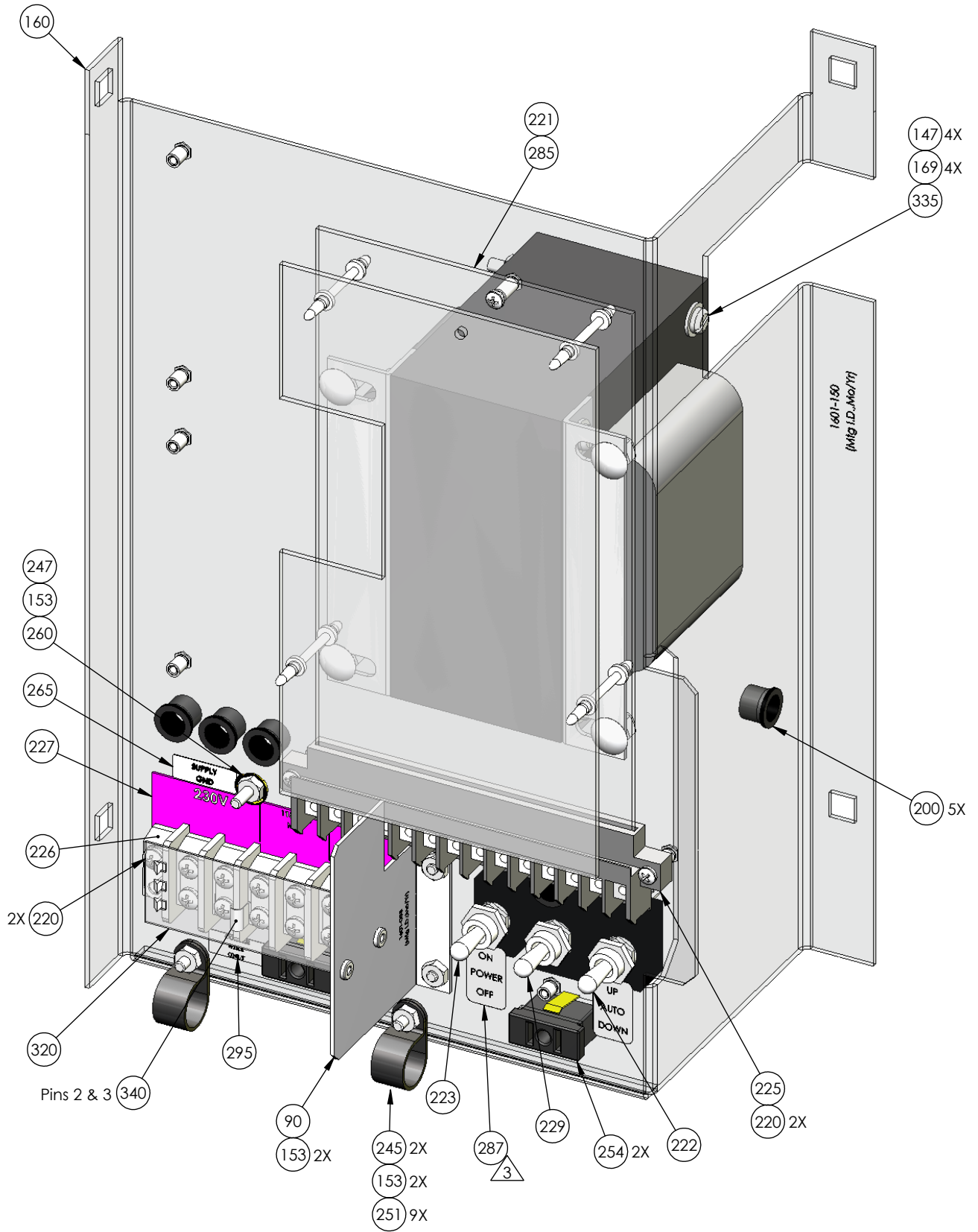
See Sheet 3  
For Part Detail

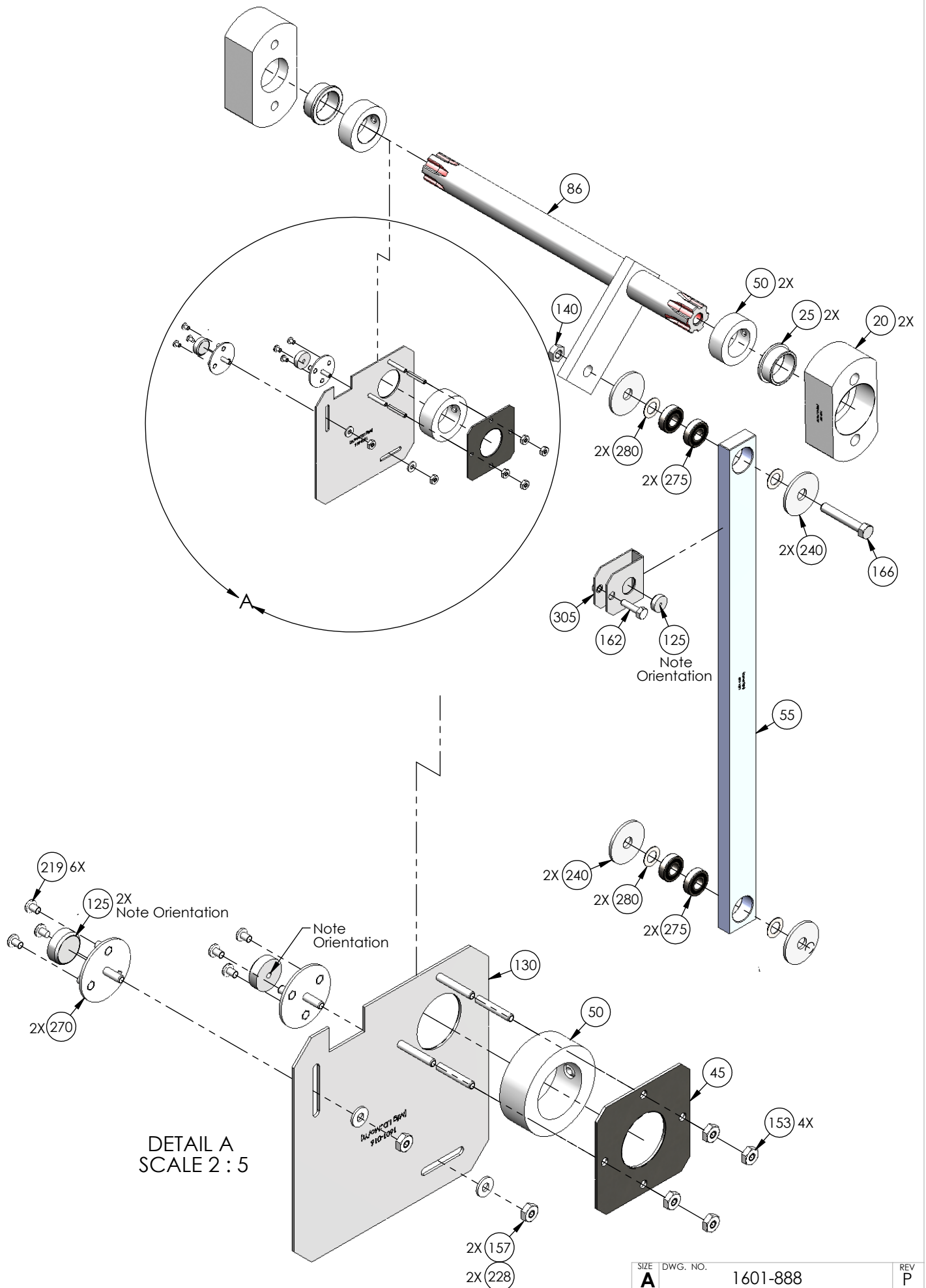
**PROPRIETARY AND CONFIDENTIAL**  
 THE INFORMATION CONTAINED IN THIS DRAWING IS THE SOLE PROPERTY OF DOOR KING. ANY REPRODUCTION IN PART OR AS A WHOLE WITHOUT THE WRITTEN PERMISSION OF DOOR KING IS PROHIBITED.

3 Decal Switch (Item 287) to be divided & placed adjacent to Toggle Switches (Item 222 & 223).  
 2. Items 249, 250, 251, 253, 290, 345 Not Shown for Clarity.  
 1. See attached reference sheet for BOM; Reference Movex 1601-088 Rev P.  
 Notes: Unless Otherwise Specified.

	NAME	DATE
DRAWN	Sal	10/13/06
CHECKED		
COMMENTS:		

  
**IPB-Model 1601-088, 230V Parking Gate Operator, Convenient Open**  
 SIZE DWG. NO. **A 1601-888** REV **P**  
 Scale: None SHEET 1 OF 5





DETAIL A  
SCALE 2:5

IPB 1601-888 Rev P  
 (Model and Movex No. 1601-088 Rev P)

Item	Part Number	QTY	UM	Description	List
1	1601-888	1	EA	1/2 HP, 230V Parking Gate Operator, Convenient Open rev P	
20	1601-139	2	EA	Bearing Blk Die Cast 1601	
25	1601-032	2	EA	Bearing 1 1/2 OD x 1 1/4 ID x 5/8 L	
26	2600-688	1	EA	Belt - 17" 4L170 Cogged	
27	1601-026	1	EA	Belt 26"	
45	1601-017	1	EA	Collar "Sandwich" Plate	
50	2600-061	3	EA	Collar 2 OD x 1 1/4 ID x 5/8 L	
55	1601-029	1	EA	Connecting Link	
75	1601-075	1	EA	Door	
80	1601-215	1	EA	Mount Plate Gearbox A	
85	1601-027	1	EA	Gearbox 1601 HD A	
86	1601-222	1	EA	Shaft Assembly 1601 Splined	
90	1601-055	1	EA	Divider - High/Low Voltage	
95	1601-100	1	EA	Housing Barrier Arm	
100	4001-018	6	FT	Weather Stripping 50' rolls	
105	4001-035	1	EA	Lock N16058BDxSFx2K Key 16120	
107	1702-503	1	EA	Cam 1.1/4	
115	2620-047	16	EA	Lockwasher 3/8	
125	2600-817	3	EA	Magnet	
130	1601-016	1	EA	Mount Plate Magnet	
135	1601-155	1	EA	Motor 1/2 HP Dual Pulley Assy	
136	2600-197	1	EA	Motor 24VDC For BB	
137	1601-144	1	EA	Bracket-Motor Mount Leeson	
140	2620-440	2	EA	Nut Hex 1/2-13 GR8	
147	2620-340	4	EA	Nut Center Lock 1/4-20	
150	2620-411	8	EA	Nut Hex Flange Lock 5/16-18	
151	2620-405	18	EA	Nut Hex 3/8-16	
152	2902-006	10	EA	Nut Nylon Lock 10-32	
153	2902-004	9	EA	Nut Nylon Lock 8-32	
156	2620-409	4	EA	Nut Hex Flange Lock 1/4-20	
157	2620-401	2	EA	Nut Hex 8-32	
158	2620-340	8	EA	Nut Center Lock 1/4-20	
159	1601-152	1	EA	Mount Plate - PC Board Top	
160	1601-150	1	EA	Mount Plate - PC Board Bottom	
161	2615-673	4	EA	BoltCarr SS 3/8-16 x2 1/4 Painted	
162	2615-005	1	EA	Bolt Hex Head 1/4-20 x 1	
164	2615-669	4	EA	Bolt Carriage SS 3/8-16 x 1 1/4	
166	2615-184	2	EA	Bolt Hex Head 1/2-13 x 2 1/4 GR8	
169	2615-625	4	EA	Bolt Carriage 1/4-20 x 1/2	
180	2615-645	10	EA	Bolt Carr SS 10-32 x 5/8 Painted	
181	2615-667	6	EA	BoltCarr SS 3/8-16 x 3/4 Painted	
182	2615-662	8	EA	BoltCarr SS 5/16-18 x 5/8 Painted	
183	2615-674	4	EA	Bolt CarriageSS 3/8-16 x 1 3/4	
200	2600-820	5	EA	Bushing 1/2	
207	1601-018	1	EA	Pulley 4 OD x 5/8 Bore	
209	2600-882	2	EA	Hole Plug Plastic 2.25" Hole	
210	2616-094	1	EA	Set Screw 5/16-18 x1/4 Zinc Pt	
212	2616-000	4	EA	Screw Phillips Head 6-32 x 1/4	
218	2616-001	2	EA	Screw Phillips Head 6-32 x 3/8	
219	2616-006	6	EA	Screw Phillips Head 6-32 x 3/16	
220	2616-003	4	EA	Screw Phillips Head 6-32 x 3/4	
221	2616-002	1	EA	Screw Phillips Head 6-32 x 1/2	

222	1601-040	1	EA	Switch Toggle ON-OFF-ON MOMEN
223	1601-140	1	EA	Switch Toggle 2 Pole On-Off
224	1601-253	1	EA	Switch Magnetic Sensor
225	1601-007	1	EA	Terminal 14 Pin
226	3130-008	1	EA	Terminal Block 5 pin
227	2600-469	1	EA	Marker Strip 230V 1Phase
228	2802-003	2	EA	Washer #8 SAE
229	1601-041	1	EA	Switch Toggle SPST 2POS
230	2620-029	6	EA	Washer 3/8" USS
240	2620-131	4	EA	Washer 1 7/8 OD x 1/2 "ID 1/8 T
245	2600-619	2	EA	Wire Clip-5/8 Concord 770-1209
246	1804-029	3	EA	Mount Wire Tie
247	7082-052	1	EA	Wire 8" Green 16 AWG Stranded
248	2340-166	1	EA	Wire Set BB 1601
249	2340-164	1	EA	Wire Set BB 6100,6300,9150
250	1601-008	1	EA	Wire Set 1601/1602
251	1804-031	9	EA	Tie Wrap 4"
252	2600-639	4	EA	Wire Clamp-1"
253	2600-749	2	EA	Wire Connector STA-KON RC6
254	1200-028	2	EA	Outlet Snap-In Leviton 1306
255	2599-008	1	EA	Label Patent
260	2600-439	1	EA	Washer Cup - Brass
265	2599-006	1	EA	Decal SUPPLY GND
270	1601-044	2	EA	Holder - Magnet
275	1601-060	4	EA	Bearing-Sealed 1/2 ID x 1 1/8 OD
280	1601-185	4	EA	Washer Race .515 ID x .875 OD CH
284	2340-010	1	EA	PCB Battery Backup
285	1601-010	1	EA	PCB Parking Gate
287	2599-012	1	EA	Decal 1601 Switch
288	2599-035	1	EA	Label 1601 Warning
290	2560-010	1	EA	Information Packet 1601
295	2599-014	1	EA	Decal Copper Wire Only
300	2599-199	1	EA	Label Universal
305	1601-250	1	EA	Bracket Magnet Holder 1601 Bat
307	2600-676	2	EA	Battery Tray 1601
309	1601-252	1	EA	Bracket Sensor 1601 Batt Back
310	2600-732	1	EA	Nameplate Plastic DKS
311	1897-052	2	EA	Gasket, Microphone Support
315	2802-040	2	EA	Washer Push on Clamp
320	3129-005	1	EA	Terminal Block Cover 5 Positio
325	1801-009	2	EA	Battery 12V 3.0 AmpHour PS1230
330	1601-245	1	EA	Mount Plate 1601 Batt Backup
335	4001-096	1	EA	Transformer 460/230/208-115V