



**ENGINEERING EVALUATION**

**REPORT NUMBER: 318773MID-003**  
ORIGINAL ISSUE DATE: August 28, 2009  
REVISION AND DATE: Original

**EVALUATION CENTER**  
Intertek  
8431 Murphy Drive  
Middleton, WI 53562

**RENDERED TO**

**Hanchett Entry Systems, Inc.**  
**22630 N. 17<sup>th</sup> Ave.**  
**Phoenix, AZ 85027**

PRODUCT EVALUATED: Model 9500 electric strike  
EVALUATION PROPERTY: Fire Resistance

**Engineering Evaluation of Hanchett Model 9500 Electric Strike for compliance with the applicable requirements of the following criteria: NFPA 80-07 Standard for Fire Doors and Other Opening Protectives**

*This report is for the exclusive use of Intertek's Client and is provided pursuant to the agreement between Intertek and its Client. Intertek's responsibility and liability are limited to the terms and conditions of the agreement. Intertek assumes no liability to any party, other than to the Client in accordance with the agreement, for any loss, expense or damage occasioned by the use of this report. Only the Client is authorized to copy or distribute this report and then only in its entirety. Any use of the Intertek name or one of its marks for the sale or advertisement of the tested material, product or service must first be approved in writing by Intertek. The observations and test results in this report are relevant only to the sample tested. This report by itself does not imply that the material, product, or service is or has ever been under an Intertek certification program.*

# 1 Table of Contents

---

1	Table of Contents .....	2
2	Introduction .....	3
3	Product and Assembly Description .....	3
3.1.	Product and/or Assembly Description: .....	3
3.2.	Product and/or Assembly Certification: .....	4
4	Reference Documents.....	4
5	Evaluation Method.....	4
6	Conclusion.....	5
7	APPENDIX.....	6
8	LAST PAGE & REVISION SUMMARY .....	7

## 2 Introduction

---

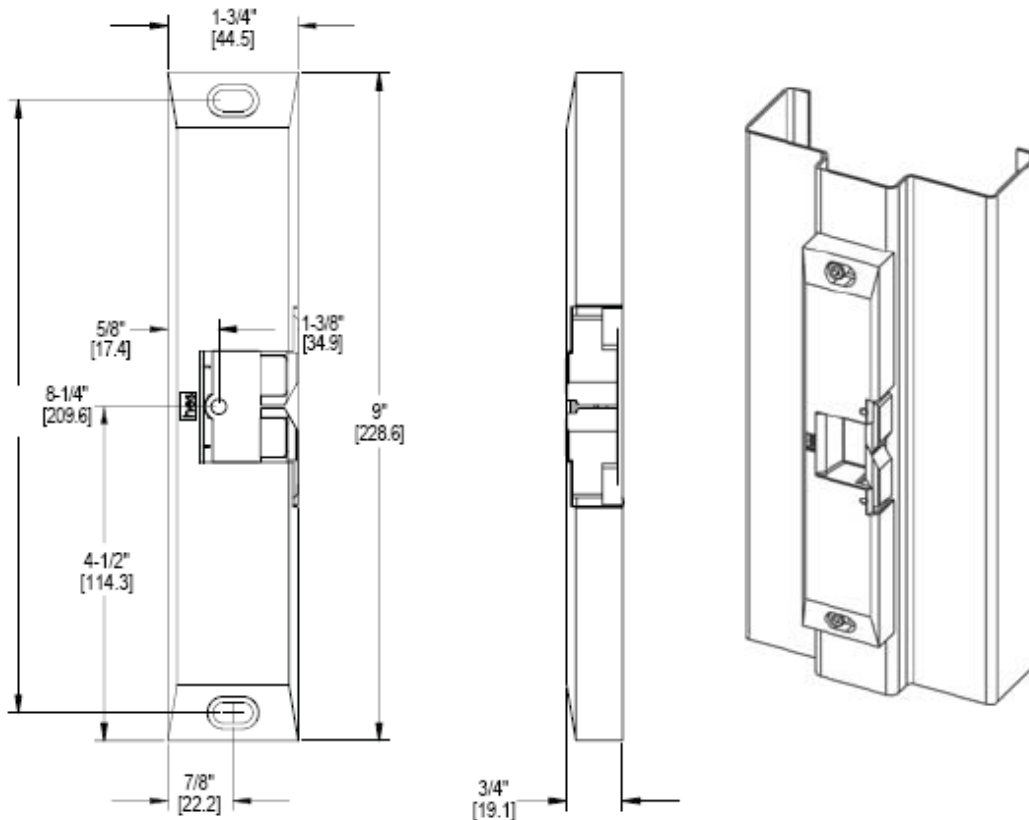
Intertek is conducting an engineering evaluation for Hanchett Entry Systems, Inc. on Model 9500 Electric Strike, to evaluate Fire Resistance. The evaluation is being conducted to determine if use in assembly to protect openings against the spread of fire and smoke will comply with NFPA 80-07 "Standard for Fire Doors and Other Opening Portectives.

## 3 Product and Assembly Description

---

### 3.1. Product Description:

The 9500 series is a surface mounted electric strike with all components completely encased within its  $\frac{3}{4}$ " thick stainless steel housing. The strike is surface applied requiring no cuts to the door jamb. It is designed for use with rim exit devices. The 9500 series is field selectable to either fail secure or fail safe operable with either 12 or 24 Volts DC. The product is certified for use in 90 minute locations with specific exit devices. See Product Information and Installation instructions in Appendix.



### 3.2. Product Certification:

Hanchett Model 9500 Electric Strike is an Intertek Listed product for compliance with applicable requirements of the following standards: NFPA 252 (1995) UL 10C (1998) and UBC7-2 (1997). Model 9500 Electric Strikes (with or without pins) Listed use is for installation in up to 90 minute fire rated 16 gauge steel frames within the frame manufacturer's limitations. Limitations of the Listing include the qualification that the strike must be used in conjunction with a Sargent Model 12-8810 exit device or a Yale model 7100F series rim exit device.

Authorities Having Jurisdiction (AHJ) should be consulted in all cases as to the particular requirements covering the installation and use of Intertek certified products, equipment, systems, devices and materials. The AHJ should be consulted before construction. Fire resistance assemblies and products are developed by the design submitter and have been investigated by Intertek for compliance with specific requirements. The published information (product and design listings) cannot always address every construction nuance encountered in the field. When field issues arise, it is recommended the first contact for assistance be the technical service staff provided by the product manufacturer noted for the design. Users of fire resistance assemblies are advised to consult the test standard referenced for each Intertek certified product. The test standard includes specifics concerning alternate materials and alternate methods of construction. Only products which bear Intertek's Mark are considered as certified. The appearance of a company's name or product in Intertek Directory of Listed Building Products does not in itself assure that products so identified have been manufactured under Intertek's Follow-Up Service. Only those products bearing the Intertek Mark should be considered to be Listed and covered under Intertek's Follow-Up Service. Always verify the Mark on the product before using it.

## 4 Reference Documents

---

As part of this evaluation, Intertek has directly or indirectly used the following referenced documents:

- Intertek Listing report of listed product "Model 9500 Electric Strike (9731)
- NFPA 80 (2007) "Standard for Fire Doors and Other Opening Protectives"
- HES Product Information Data Sheet Model 9500
- HES 9500/9600 Installation Instructions
- One Sample of Model 9500 Strike supplied by Hanchett Entry Systems, Inc.
- Test Report 3073304

## 5 Evaluation Method

---

This evaluation is being conducted solely for the above italicized referenced project or use or both. Due to the variables that exist from project to project and the fact that each evaluation requires review of the most current existing data and information, this evaluation is not to be used as justification for any other opinion nor used for any other project, without the express written consent of Intertek. This report should serve as Intertek's opinion regarding the use of the certified product in the conditions described herein. The materials used on the project, which are applied in compliance with Intertek Design Listings, must bear the Intertek listing mark. All certified products must be installed in accordance with the details contained in Intertek's *Directory of Listed Building Products*.

The product assembly and use was evaluated against any requirements that may exist in NFPA 80 that would make the use of HES Model 9500 Strike non-compliant with NFPA 80.

---

A review of NFPA 80 finds:

- Electric strikes are defined as strikes that, when activated, either releases or retains a projected latch or dead bolt.
- Strike plates are defined as wear plates for projecting hardware or a wear plate and keeper for a latch bolt.
- Per Section 6.4.4.11 electric strikes are permitted in lieu of conventional strikes in single swinging doors and pairs of doors where provided for in the published listings. Typical electric strikes are illustrated in annex A. figure A.6.4.4.11.
- Section 6.4.4.8 requires Strike plates are secure to frame with steel screws or other types of screws as indicated by the manufacturer's published listing or label service procedure.
- Section 6.4.4.9 requires Strike plates for doors swinging in pairs to be secured to reinforcements in the inactive leaf with machine screws and that pilot holes are predrilled per manufacturer's instructions.

An examination of the product and Listed use finds that HEC Model 9500 falls within the definition of electric strikes and complies with the above NFPA 80 criteria. While it may not be typical as illustrated in annex A. it is not disqualified by this. In addition, Non-typical devices that improve or that meet the intent of NFPA 80 are allowed per section 1.4.

## 6 Conclusion

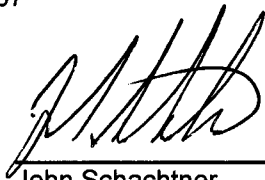
---

Intertek has conducted this engineering evaluation for Hanchett Entry Systems, Inc., on Model 9500 Electric Strike, to evaluate fire resistance. The evaluation was conducted to determine if use in assembly to protect openings against the spread of fire and smoke will comply with NFPA 80-07 "Standard for Fire Doors and Other Opening Protectives.

Based on the information contained and referenced herein, it is Intertek's professional judgment based on sound engineering principles that the following is true: Listed use of Model 9500 Electric Strike complies with NFPA 80-07

**INTERTEK**

Reported by:



John Schachtner  
Project Engineer, Engineering Services

Reviewed by:



Mike Puls  
Senior Project Engineer, Engineering Services

---