

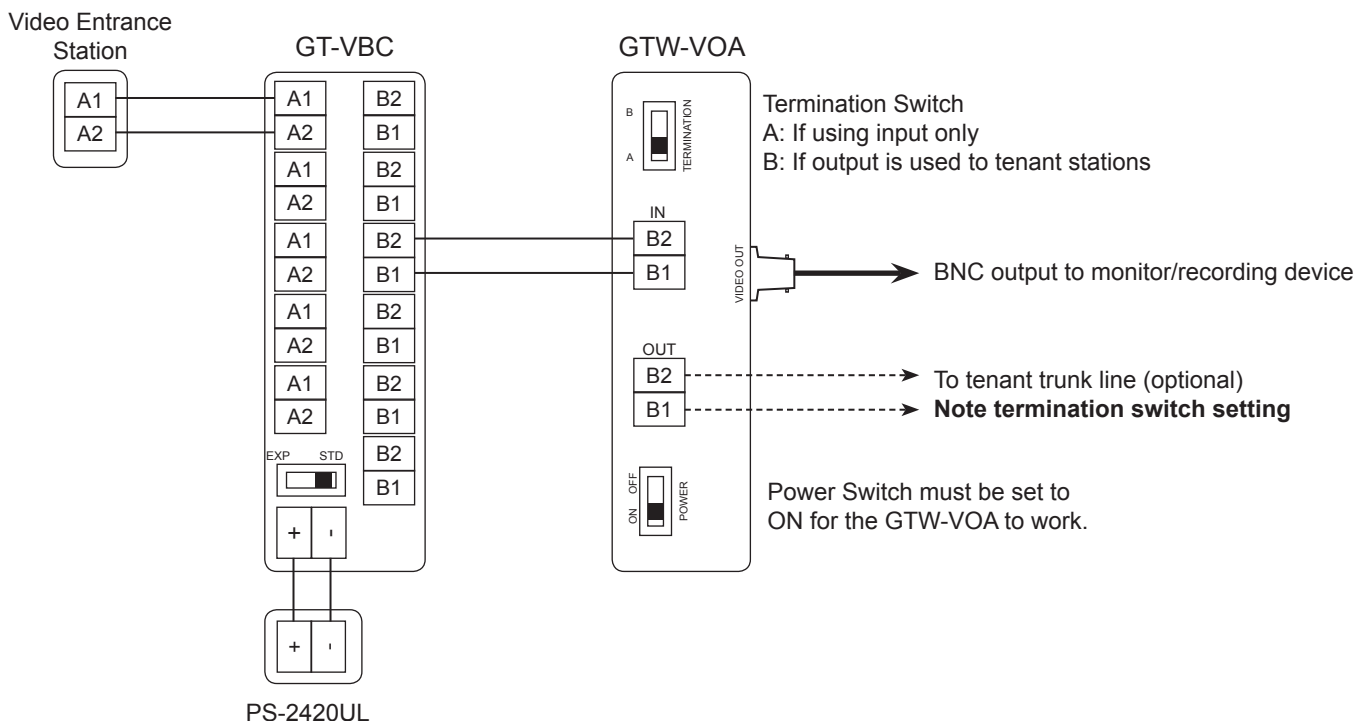
GTW-VOA

Video Output Adaptor

-INSTRUCTIONS-

The GTW-VOA is a video output adaptor for the GT Series, providing a composite video output signal whenever a video entrance station has called, or is in communication with, a tenant station. When a video signal is transmitting, the green LED on the adaptor will illuminate (video signal is not displayed 24/7).

WIRING:



1. Install the GTW-VOA to the wall or on a din rail (W-DIN11) near the GT-VBC video bus control unit.
2. Connect according to the wiring diagram above (any B1/B2 output from the GT-VBC can be used).
3. Connect video device being used to the BNC connector.
4. Ensure power switch is set to the "ON" position.

Note: The green LED will only illuminate when a video signal is transmitting.

Only wiring regarding the GTW-VOA is shown here. Refer to the GT Series Installation Manual for complete installation instructions.