



Excel™ E1200

Excel™ Series

Value Engineered Access Hardware from SDC Economically Priced Alternative to Low Cost Imports Quality and Flexibility for Commercial Applications

The Excel™ product line is designed for system integrators, distributors, installers and building owners presently using low cost import or private label brand access control hardware.

MAGNETIC LOCKS

The value priced **Excel™ Architectural Series** full featured magnetic locks are easier to install and provide superior, less obtrusive appearance compared to stainless steel epoxy sealed magnetic locks. Full monitoring is standard. The quick mount assembly reduces installation time compared to epoxy sealed magnetic locks.

The value priced **Excel™ Commercial Series** full featured magnetic lock is made of an epoxy sealed satin stainless steel housing and utilizes the same mounting template as major competitive brands. Full monitoring is standard. Recommended for interior doors or outdoor gate applications.

ELECTRIC STRIKES

Value Priced **Excel™ 15 Series** electric strikes are for centerline latch entry applications for locksets with up to 3/4" latchbolts.

The Value Price **Excel™ 25 Series** are compatible with up to 5/8" latchbolts. Standard features include a latch status output and 12/24V AC/DC input.

MODULAR POWER SUPPLY/CHARGER

The value priced **Excel™ 621 Modular Power Supply** is a full featured, 1 Amp Class 2 Power Supply available in 4 different configurations.

Patent 5,376,910



Excel™ E600



Excel™ E300



Excel™ E6200



Excel™ 15 & 25 Strike



Spacesaver® Bolt Lock



Exit Switch Bar



Exit Switches



Power Supplies





Excel™ E6200 - Magnetic Lock

Application:

Security Access Control, & Mantraps, Indoor/Outdoor

1200 lb / 545 kg holding force magnetic lock for exterior, perimeter and interior door security and access control. Magnetic bond sensor and door status outputs are included for remote monitoring, mantraps and system application needs.

Standard Features

- Retrofits Securitron M62 and Locknetics 70 locks
- Magnetic Bond Sensor indicates door locked with full holding power
- Door Status indicates door open or closed
- Epoxy sealed electronics, tamper resistant and weatherized for indoor and outdoor use
- Stainless steel machine screws and blind nuts
- 10 ft [3.05m] jacketed, stranded conductor cable
- Dual voltage 12/24VDC
- Architectural stainless steel housing, US32/630

Mechanical Specifications

Holding Force: 1200 lbs / 545 kg

Housing: Stainless steel epoxy filled, all internal components sealed and weatherized

Lock: 8" L x 3" H x 1-49/64" D;
(203L x 73.5H x 45.7D mm)

Armature: 6" L x 13/16" H x 2-11/16" D;
(152 L x 20.63 H x 68.26 D mm)

Electrical Specifications

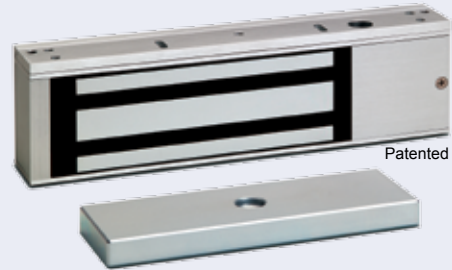
Wiring: 10 Ft [3.05 m] jacketed, stranded conductor cable for power input and status outputs

Circuitry: Voltage and current spike protection and instant release anti-residual magnetism circuitry

Voltage: 12/24VDC, field selectable

Magnetic Bond Sensor: SPDT, 250 mA @ 30VDC

Door Status Contact: SPDT, 250 mA @ 30VDC



Excel™ E1200 - Magnetic Lock

Application:

Security Access Control & Mantraps

1200 lb / 545 kg holding force magnetic lock for perimeter and interior door security and access control. Door and lock status outputs included for remote monitoring, mantraps and system application needs.

Standard Features

- Door status, lock status and Bi-color LED
- Interlocking quick mount assembly
- Adjustable mounting bracket with choice of self drilling and tapping mounting screws or machine screws
- Wire access chamber with terminal block
- Dual voltage 12/24VDC
- 628 Clear anodized aluminum

Mechanical Specifications

Holding Force: 1200 lbs / 545 kg

Lock: 10-1/2" L x 2-7/8" H x 1-5/8" D;
(266 L x 73 H x 41 D mm)

Armature: 7-5/16" L x 2-3/8" H x 5/8" D;
(186 L x 61 H x 16 D mm)

Electrical Specifications

Circuitry & Wiring: PC board with voltage and current spike protection, instant release anti-residual magnetism circuit, terminal block for power input and status outputs

Voltage: 12/24VDC, field selectable

Current: 500 mA @ 12VDC; 250 mA @ 24VDC

Lock Status Contact: SPDT, 2 Amp @ 30VDC

Door Status Contact: SPDT, 250 mA @ 30VDC



ANSI/BHMA-A156.23
Grade 1 Compliant



Excel™ E600 - Magnetic Lock

Application:

Traffic Control, Air-Locks & Communicating Bathrooms
600 lb / 272 kg holding force magnetic lock for interior door traffic control where physical attack is not a concern. Door and lock status outputs included for remote monitoring, mantraps and system application needs.

Standard Features

- Door status, lock status and Bi-color LED
- Interlocking quick mount assembly
- Adjustable mounting bracket with choice of self drilling and tapping mounting screws or machine screws
- Wire access chamber with terminal block
- Dual voltage 12/24VDC
- 628 Clear anodized aluminum

Mechanical Specifications

Holding Force: 600 lbs / 272 kg

Lock: 9-7/8" L x 2-7/8" H x 1" D;
(250 L x 51 H x 26 D mm)

Armature: 7-5/16" L x 1-1/2" H x 1/2" D;
(186L x 38H x 13D mm)

Electrical Specifications

Circuitry & Wiring: PC board with voltage and current spike protection, instant release anti-residual magnetism circuit, terminal block for power input and status outputs

Voltage: 12/24VDC, field selectable

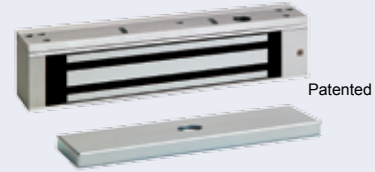
Current: 500 mA @ 12VDC; 250 mA @ 24VDC

Lock Status Contact: SPDT, 2 Amp @ 30VDC

Door Status Contact: SPDT, 250 mA @ 30VDC



ANSI/BHMA-A156.23
Grade 1 Compliant



Excel™ E300 - Magnetic Lock

Application:

Communicating Bathrooms, Cabinets, Display Cases
300 lb / 136 kg holding force magnetic lock for cabinets and display cases. Lock status output included for remote monitoring and system application needs.

Standard Features

- Lock status and Bi-color LED
- Interlocking quick mount assembly
- Adjustable mounting bracket with choice of self drilling and tapping mounting screws or machine screws
- Wire access chamber with terminal block
- Dual voltage 12/24VDC
- 628 Clear anodized aluminum

Mechanical Specifications

Holding Force: 300 Lbs / 136 Kg

Lock: 7" L x 1.625" H x .875" D;
(178L x 41H x 22D mm)

Armature: 5-1/8" L x 1-3/4" H x 5/16" D;
(130L x 32H x 8D mm)

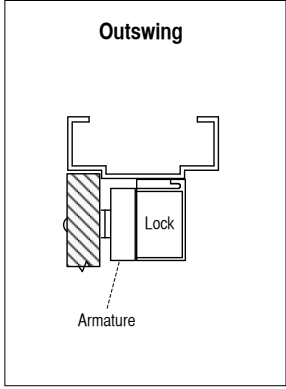
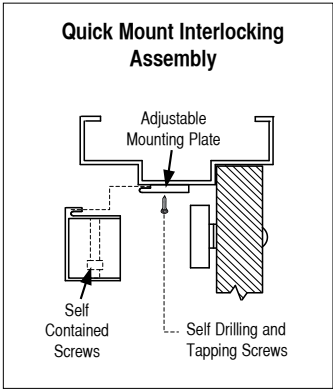
Electrical Specifications

Circuitry & Wiring: PC board with voltage and current spike protection, instant release anti-residual magnetism circuit, terminal block for power input and status output

Voltage: Dual 12/24VDC, field selectable
Terminal block connections

Current: 360 mA @ 12VDC; 180 mA @ 24VDC

Lock Status Contact: SPDT, 2 Amp @ 30VDC



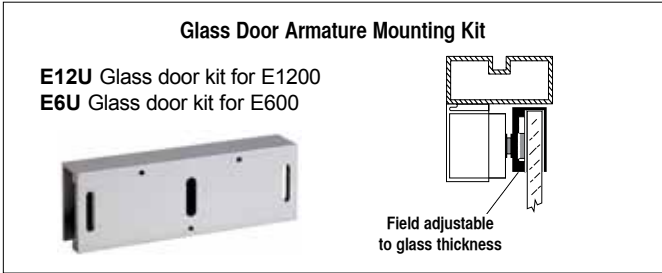
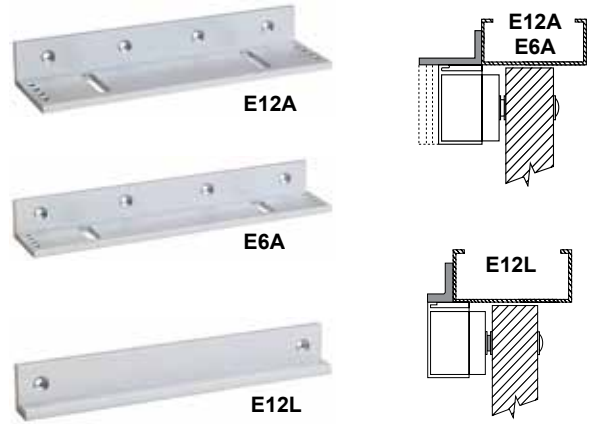
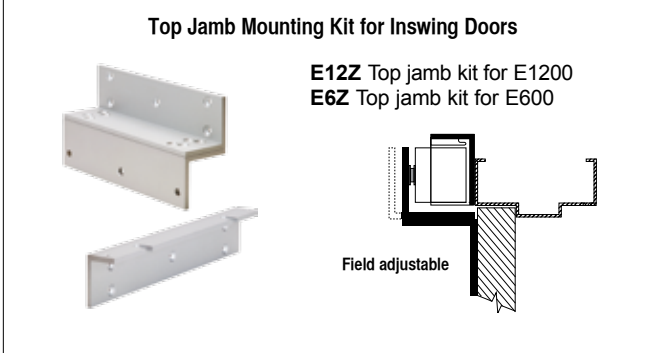
E Series Angle Brackets

Used for the extension of a narrow frame header mounting surface, the bracket provides additional surface area for proper lock mounting

E12A E1200 adjustable angle bracket.
Inches: 10-1/2" L x 1-1/2" W x 3" D
mm: 266 L x 38 W x 76 D

E6A E600 adjustable angle bracket.
Inches: 9-7/8" L x 1-1/2" W x 7/8" D
mm: 250 L x 38 W x 22 D

E12L E1200 angle bracket.
May be field cut for use with E600
Inches: 10-1/2" L x 1-1/2" H x 3/4" D
mm: 266 L x 12.7 H x 19 D



E Series Stop Filler Plates

Used where the frame stop does not provide enough mounting surface, the filler bar provides enough additional surface area for proper lock mounting.

E12F01 E1200 stop filler plates.
E600: Field cut for E600
Inches: 1/2" H x 3/4" D x 10-1/2" L
mm: 12.7H x 266L x 19D

E12F02 E1200 stop filler plates.
E600: Field cut for E600
Inches: 3/4" H x 3/4" D x 10-1/2" L
mm: 19H x 266L x 19D



Excel™ 15 Series Electric Strike

Features

- For aluminum and hollow metal frames
- For use with 5/8" latchbolt, or up to 3/4" latchbolt with 1/8" door gap
- All stainless steel parts with durable diecast body for corrosion resistance
- Screw terminal input, no wire nuts required.
- Mounting tabs for aluminum and metal frames.
- 630 Satin stainless steel face plate
- ANSI A156.31 Grade 2 compliant

Models

- 15-4S12U** Failsecure, 12VDC Continuous Duty
12VAC, Intermittent Duty, Audible Buzz
- 15-4S24U** Failsecure, 24VDC Continuous Duty
- 15-4S12U** Failsafe, 12VDC Continuous Duty
- 15-4S24U** Failsafe, 24VDC Continuous Duty

Electrical Specifications

- 270 mA @ 12VAC, intermittent duty, 30 sec. max.
- 400 mA @ 12VDC, continuous duty
- 125 mA @ 24VDC, continuous duty

Dimensions: 1-1/4" W x 4-7/8" H x 1-3/8" D
(31.8 W x 124 H x 34.9 D mm)



Excel™ 25 Series Electric Strike

Features

- For aluminum and hollow metal frames
- For 1/2" latch or 5/8" latch with 1/8" door gap
- Latch status output standard
- Field reversible failsafe/failsecure operation
- All stainless steel parts with durable diecast body for corrosion resistance
- Mounting tabs for aluminum and metal frames
- 630 Stainless steel standard finish
- ANSI A156.31 compliant

Model

- 25-4U** Reversible Failsafe/Failsecure, 12/24V AC/DC
12/24VDC, Continuous Duty, Silent
12/24VAC, Intermittent Duty, Audible Buzz

Electrical Specifications

- 150 mA @ 12VAC, intermittent duty, 30 sec. max.
- 280 mA @ 12VDC, continuous duty
- 80 mA @ 24VAC, intermittent duty, 30 sec. max.
- 140 mA @ 24VDC, continuous duty

Latch Status: SPDT, 3 Amp @ 30VDC

Dimensions: 1-1/4" W x 4-7/8" H x 1-1/4" D
(31.8 W x 124 H x 31.8 D mm)



Spacesaver® Bolt Lock

Features

- Fits 1.75" (44.5 mm) narrow frames
- Auto relock switch adjustable for wide door gap
- Dual Voltage, 900/450 mA @ 12/24VDC
- 628 anodized aluminum finish

Models

- 1091AIV** Failsafe
- 1291AHV** Failsecure

Optional Status Sensor

- B** Bolt Status Sensor, SPDT, 250 mA
Indicates locked and unlocked
- D** Door Position Switch, SPDT, 5 Amp
Indicates open and closed

Specifications

- Dimension:** 8" L x 1-1/2" W x 1-5/8" D
(203.2 W x 38.1 H x 41 D mm)
- Strike:** 4"L x 1-1/2" W x 1/8" D
(101.6 W x 38.1 H x 3.175 D mm)

- UL US LISTED**
- Auxiliary Locks
- UL 10C Positive Pressure Compliant



Exit Switch Bar

Model

- MSB550V** 36" (914 mm) aluminum exit switch bar for magnetic lock release.
- MSB550Y** 36" (914 mm) black anodized exit switch bar for magnetic lock release.

Electrical Specifications

- Contacts Standard:** SPDT, 5 Amp @ 30VDC
- Optional:** Two, SPDT, 5 Amp @ 30VDC

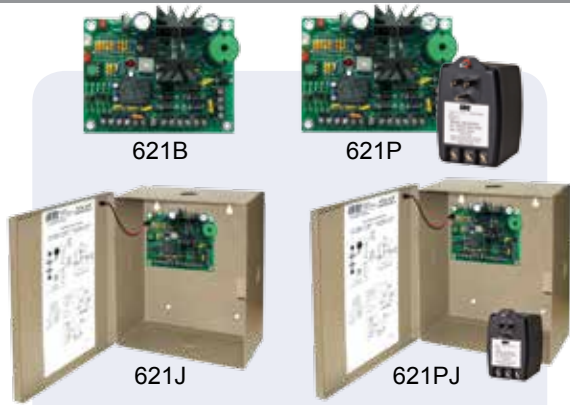
Mechanical Specifications

- Height:** 2-3/8" (60.3 mm)
- Projection (Depth):** 1-7/8" (47.6 mm)
- Door Width:** Bars may be field cut 36" (914 mm) Standard
42" (1,067 mm)
48" (1,219 mm)

- UL US LISTED**
- Listed 4J82**
- Access Control Systems Unit
- Burglary Resistant Electronic Locking Mechanism
- Releasing Device Accessory



CSFM Listed
Exit Door Accessories



Access Control Power Supply/Charger

2 Separate outputs for lock and access control.

On-board access control/REX input controls lock power output.

Fire panel input shuts down lock power output only, without interrupting access control power output.

Features

- Field selectable 12 or 24VDC
- 1 Amp maximum, Class 2 Output
 - 1 power limited switched output
 - 1 power limited auxiliary output
- Two control inputs:
 - 1 trigger input, normally open (NO)
 - 1 supervised emergency release input, latching with reset or non-latching
- Short circuit and thermal overload protection
- Battery charger output
- Automatically switched to battery backup when AC fails
- Board mounted LED for AC input, DC output and battery back-up status

Models

- 621PJ** Power supply module and cabinet, door mount LED system status indicator
UL Listed 24VAC, 40 VA plug-in transformer
- 621J** Power supply module, cabinet with door mounted LED system status indicator
- 621P** Power supply module, retrofit mounting hardware includes flush mount standoffs or Velcro. UL Listed 24VAC, 40 VA plug-in transformer
- 621B** Power supply module only, retrofit mounting hardware includes flush mount standoffs or Velcro

Power Supply Module Specifications

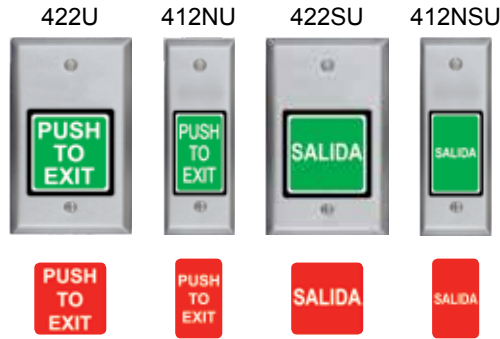
Input: 24VAC, 40VA required;

Output: 1 Amp @ 12 or 24VDC, Filtered and regulated

Battery Charger: 150mA @ 12VDC

Module Dimensions: 4" W x 3" H x 1-5/8" D (102W x 76H x 42D mm)

Cabinet: 7-3/4" W x 8-3/8" H x 3-5/8" D (184mm x 213mm x 92mm)



Exit Switches

Features

- Illuminated Green and RED lenses included
- Large, conspicuous and easy to activate
- Always illuminated or provides visual secure/unlocked status when wired to lock power or lock status outputs.
- High impact resistance stands up to abuse
- "PUSH TO EXIT" sign complies with all USA fire and building codes

Models

English Sign

- 422U** 1 Gang, Wall Mount Exit Switch
2" (50 mm) Button
- 412NU** Narrow Frame Mount Exit Switch
1-3/4" x 1" (44.5 x 25.4 mm) Button

Spanish Sign

- 422SU** 1 Gang, Wall Mount Exit Switch
2" (50 mm) Button
- 412NSU** Narrow Frame Mount Exit Switch
1-3/4" x 1" (44.5 x 25.4 mm) Button

Finish

630 Brushed Stainless Steel (standard)

Electrical Specifications

Contacts: Momentary, SPDT, 5 Amp @ 30V

Lamp: 12/24V AC/DC

Wire Leads: 6", 20 Gauge

Mechanical Specifications

422 : 20 gauge (0.9 mm), stainless steel
2-7/8" W x 4-1/2" H x 1-1/2" D
(73 W x 114 H x 36 D mm)

412N: 20 gauge (0.9 mm), stainless steel
1-3/4" W x 4-1/2" H x 1-1/2" D
(45 W x 114 H x 36 D mm)

TP2440 Plug-In Transformer

- **Input:** 115VAC
- **Output:** Fused, 1.65 Amp (40VA) @ 24VAC
Screw terminal wire connection
- UL Listed, Class 2



BR64XL Full Wave Bridge Rectifier
Converts AC output to DC

LIST PRICE

Magnetic Locks

E1200	\$265
E600	\$220
E300	\$170
E6200	\$425

Mounting Kits

E12Z	\$85
E12U	\$45
E6Z	\$85
E6U	\$45

Mounting Hardware

E12A	\$35
E6A	\$25
E12L	\$25
L12F01	\$20
L12F02	\$20

Electric Strikes

15-4S24U	\$85
15-4F24U	\$85
15-4S12U	\$85
15-4F12U	\$85
25-4U	\$120

Exit Switches

422U	\$70
412NU	\$70
422SU	\$70
412NSU	\$70

Bolt Lock

1091AIV	\$350
1291AHV	\$415

Push Bar

MSB550V	\$225
---------	-------

Power Supply

621PJ	\$195
621J	\$175
621P	\$140
621B	\$120
TP2440	\$20
BR64XL	\$25