

## Double Swing Hinge and Emergency Release Stop

- Innovative healthcare solution that permits quick door opening in an emergency situation
- Double Swing Hinge has a unique 100° swing and allows the door to swing in either direction
- Emergency Release Stop features a special flush bolt that is used to release the door in an emergency situation. Hospital tip is standard.
- The Double Swing Hinge and Emergency Release Stop are accepted by the New York State Office of Mental Health (OMH) for use in high risk areas.
- The Markar DSH1000 Pin & Barrel Double Swing Hinge is another option to use with the Emergency Release Stop to create an anti-barricade system. See the Markar products section of this catalog for more information.

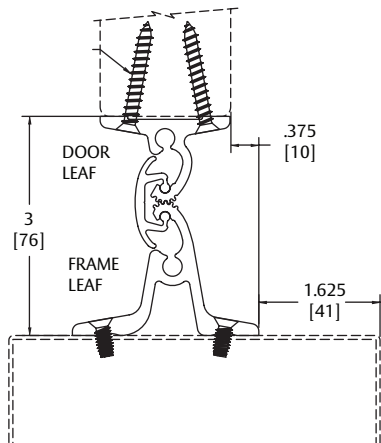
### Double Swing Hinge

- Meets the cycle test requirements for ANSI/BHMA A156.26 for Continuous Hinges.
- Meets the barrier free requirementst of ICC/ANSI A117.1 and ADAAG (2010)

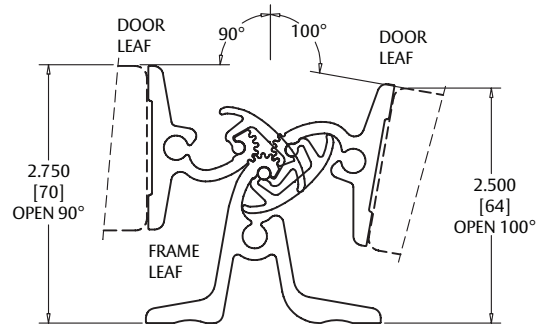
#### DSH\_

AVAILABLE FINISHES: **C**, other finishes available upon request

- Designed for 1 3/4" MAXIMUM thickness with a weight up to 250 lbs.



Hinge Size	Opening	Clear Anodized
84"	7' 0"	DSHP01C-84
96"	8' 0"	DSHP01C-96
120"	10' 0"	DSHP01C-120



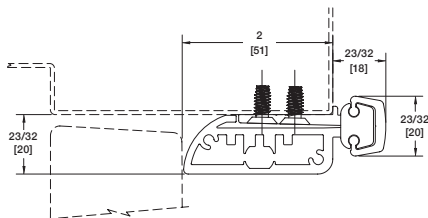
NOTE: DSH1000 Pin & Barrel Double Swing Hinge shown on page 67

### Emergency Release Stop

- Minimum 2 3/4" backset for hardware trim
- NOTE: With 2 3/4" hardware trim backset, a Notch is required in the ERS to clear the hardware trim. The type of Notch is determined by the manufacturer based on the information provide on the order form.
- To avoid using an extended lip strike, use a single rabbet jamb on strike side of frame only with cased open header and hinge jamb.

#### ERS\_

AVAILABLE FINISHES: **C**, other finishes available upon request



Hinge Size	Opening	Clear Anodized – Left Hand	Clear Anodized – Right Hand
84"	7' 0"	ERS84CxHT-LH	ERS84CxHT-RH
96"	8' 0"	ERS96CxHT-LH	ERS96CxHT-RH
120"	10' 0"	ERS120CxHT-LH	ERS120CxHT-RH

OPTIONAL FINISHES FOR PRODUCTS SHOWN ON THIS PAGE (see General Information section for finish chart)  
**BL** (Black Anodized) **G** (Gold Anodized)  
**PW** (Painted White) and **SN** (Satin Nickel) are special finishes available upon request.

**ASSA ABLOY**  
Opening Solutions

Experience a safer  
and more open world

800-824-3018 | [www.assaabloydooraccessories.us](http://www.assaabloydooraccessories.us)  
Check the web site for the up-to-date catalog

Copyright © 2015-2019, ASSA ABLOY Accessories and Door Controls Group, Inc., an ASSA ABLOY Group company. All rights reserved. Reproduction in whole or in part without the express written permission of ASSA ABLOY Accessories and Door Controls Group, Inc. is prohibited.