

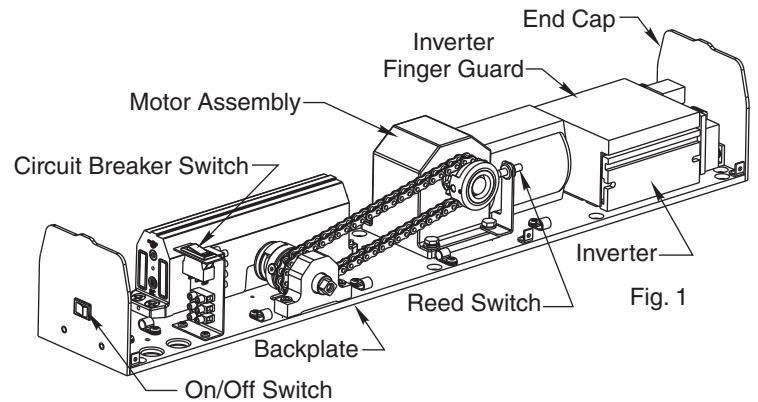
## ASSA ABLOY

### Installation Instructions for replacing Motor Inverter on 7800 Door Operator

#### Inverter Removal:

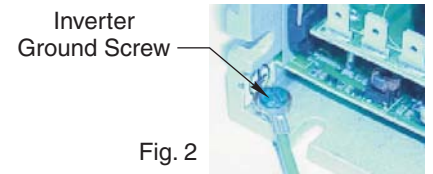
1. Remove (6) cover screws with phillips head screw driver; remove unit cover and set aside.
2. **WARNING: 120VAC potential.**  
Set red lighted circuit breaker switch to OFF position before proceeding.
3. Remove End Cap, shown in Fig.1, and set aside by removing (2) phillips head screws.
4. Carefully remove Inverter Finger Guard to expose wiring hookups and inverter mounting screws. Note how existing wiring is routed under the finger guard and through slit in end of finger guard.
5. Disconnect wire leads from (2) Blue wire terminals located on end of inverter using small 1/8" flat blade screw driver.
6. Using a pair of needle nose pliers, disconnect the (5) 1/4" terminal connectors from the Motor and AC Line inputs located on the circuit board.
7. Using a 1/4" flat blade screw driver, remove ground screw from base of inverter. See Fig.2.
8. Using phillips head screw driver, remove the (2) #10-32 x 3/8" truss head screws located at the base of the inverter closest to the end cap position. Then loosen the (2) #10-32 x 3/8" truss head screws located at the base of the inverter closest to the motor. The inverter should slide off the base plate in the direction away from the motor.

13. If unit is interfacing with Strike, Magnetic Lock, etc., confirm Relay Jumper is in proper location for normally open (NO) relay or normally closed (NC) relay. See Page 2 of this instruction sheet.
14. Re-install End Plate removed in step 3.
15. Switch on power to Unit. Set Circuit Breaker switch to "RESET" position. Circuit breaker should light to indicate 120VAC is present. Confirm that On/Off switch in End Plate is in the "On" position.
16. Activate unit and note if Hold Open time is sufficient. If not, adjust Hold Open time with trim pot labeled DEC/B using plastic adjustment tool provided. See Trim Pot Setting on page 2 of this instruction.
17. Re-install unit cover using (6) cover screws removed in set 1.

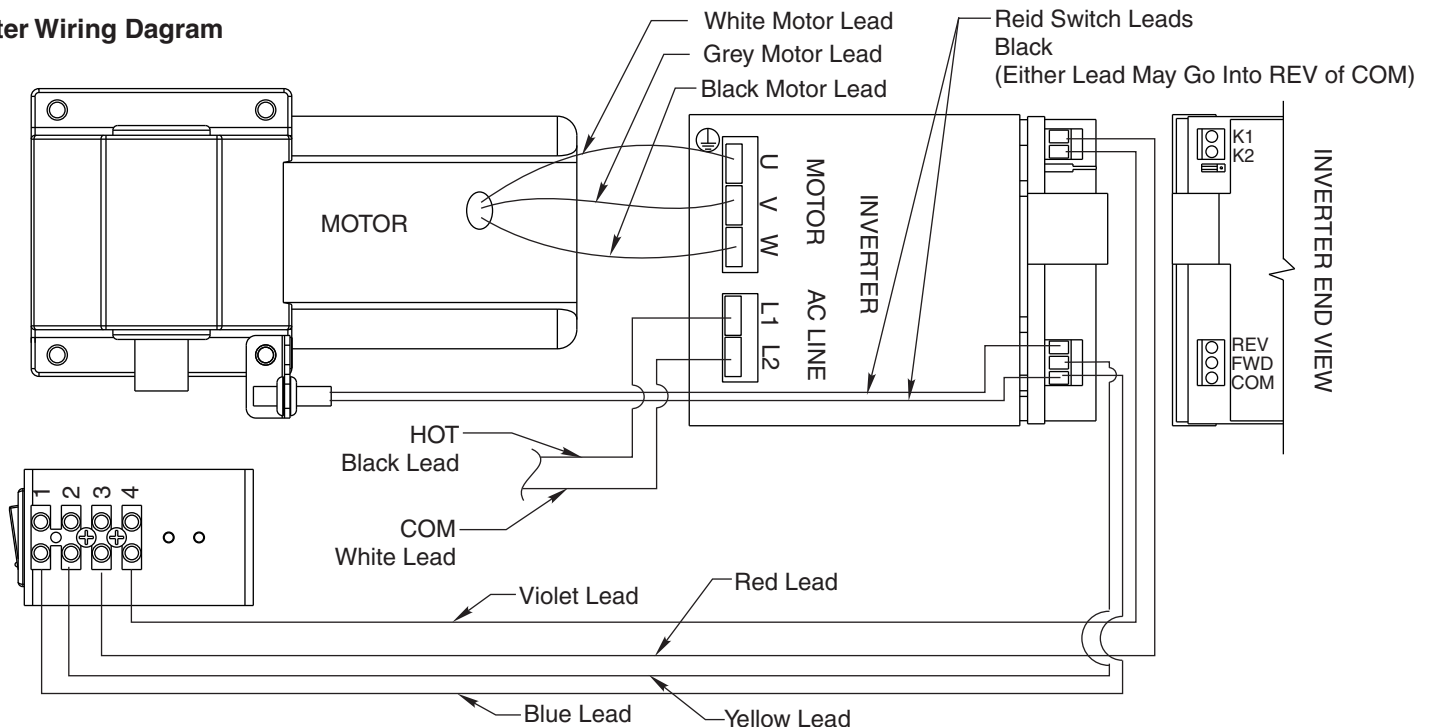


#### Inverter Installation:

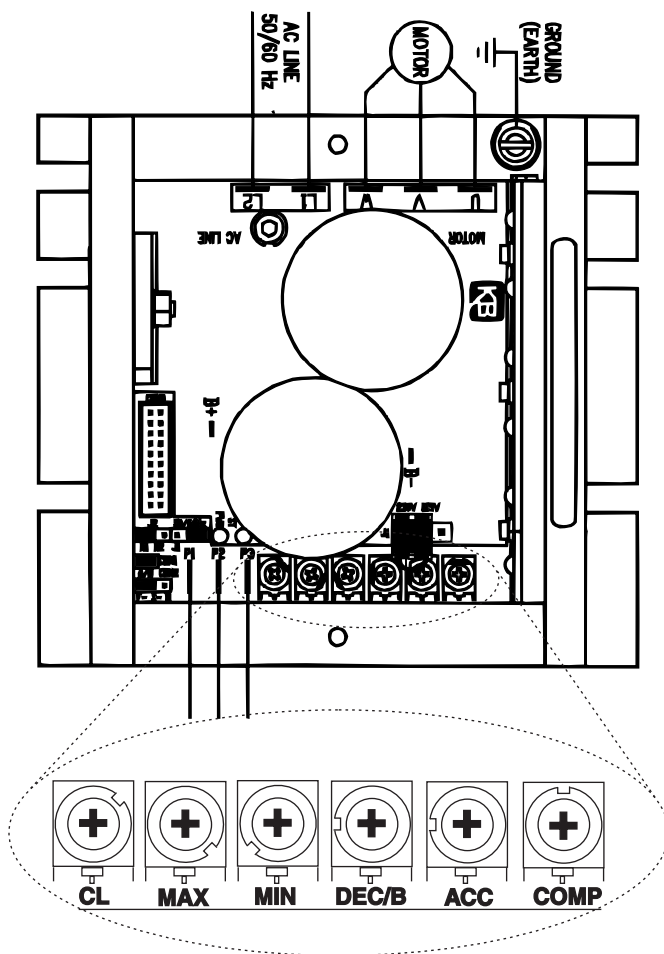
9. Remove new inverter from packaging and carefully remove finger guard from inverter.
10. Slide inverter on backplate and secure in place with (4) #10-32 x 3/8" truss head screws.
11. Using 1/4" flat blade screw driver, install green ground wire to inverter's base. See Fig.2.
12. Refer to wiring diagram below to connect wiring to new inverter.
13. Adjust Trim Pot ACC using plastic adjustment tool provided: Refer to Trim Pot Settings on page 2 of this instruction for proper setting of trim pot ACC based on type of unit (Push or Pull).



#### Inverter Wiring Diagram



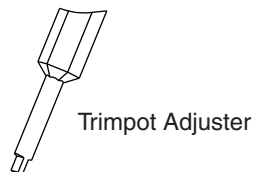
## Inverter Trim Pots



POT	DESCRIPTION	FUNCTION
CL	Obstruction Detection on Open	CW - Increase CCW - Decrease
MAX	Door Open Speed	CW - Increase CCW - Decrease
MIN	Motor Reversing Speed	CW - Increase CCW - Decrease
DEC/B	Hold Open Time (5 - 30 Seconds)	CW - Increase CCW - Decrease
ACC	Door Mounting (Push or Pull)	Full CW - Push Full CCW - Pull
COMP	Motor Torque at Hold Open Position	CW - Increase CCW - Decrease

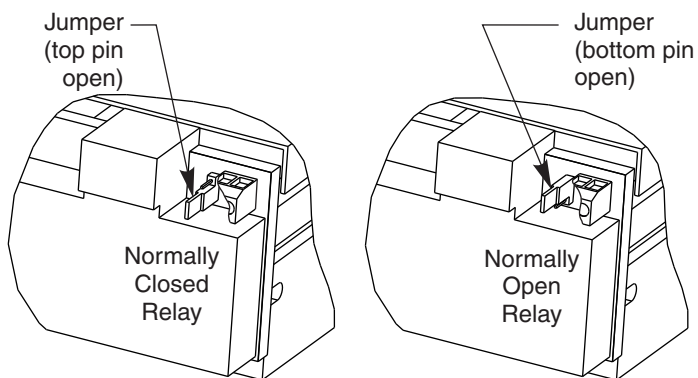
### Inverter Adjustments:

- Based on function adjustment desired, use table above to determine which POT is to be adjusted.
- Using Trimpot Adjuster, shown below and supplied with screw pack, adjust the appropriate POT using illustration on the left.



**Note:** Trimpot may be adjusted through slot in finger guard.

## Inverter Relay Jumper Settings



**View of Jumper in Normally Closed Position For Use With "Fail Safe" Strike or Magnetic Lock**

**View of Jumper in Normally Open Position For Use With "Fail Secure" Strike**

### Arrow Lock & Door Hardware

P.O. Box 3075  
Salem, VA 24153  
Phone USA: 800-839-3157  
Fax 800-421-6615

ASSA ABLOY, the global leader in door opening solutions

