

Installation Instructions



ASSA ABLOY

ED3200/ED3200A Series Rim Exit Device

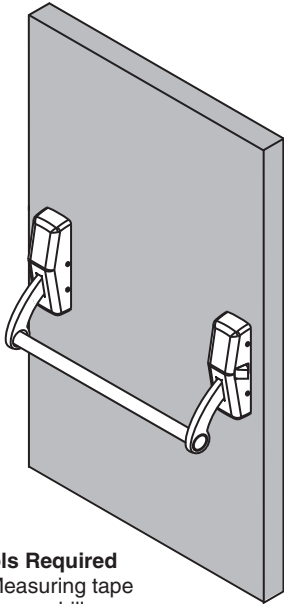
In U.S.:
Corbin Russwin, Inc.
225 Episcopal Road
Berlin, CT 06037 USA
www.corbinrusswin.com

In Canada:
ASSA ABLOY Door Security Solutions Canada
160 Four Valley Drive
Vaughan, Ontario, Canada L4K4T9
www.assaabloy.ca

Technical Product Support: Phone: 888-607-5703

FM362 (05/15)

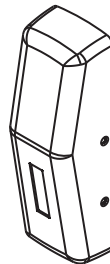
To view helpful video installation tips, scan the Microsoft® Tags with your mobile phone. Download the free mobile app at <http://getscanlife.com>.



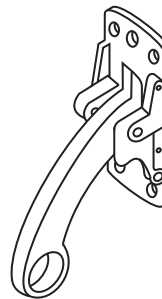
Tools Required

1. Measuring tape
2. Power drill
3. Drill bits:
3/32", 1/4", 11/32", 3/8", #25
4. Taps: #10-24
5. Screwdrivers: Phillips #2 and #3

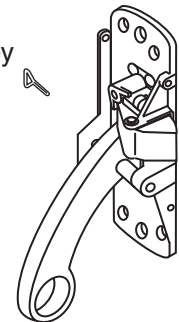
Inactive Case Cover



Inactive Case Chassis



Active Case Chassis



Hex Dogging Key



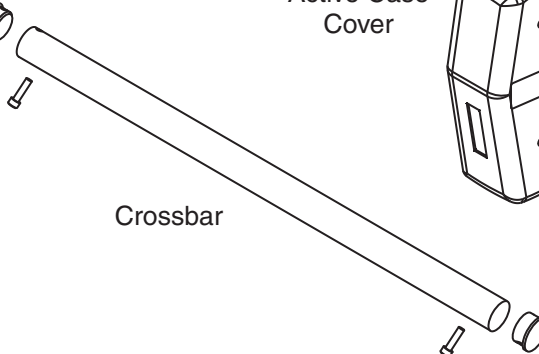
Active Case Cover



Plug



Locking Screw



Crossbar

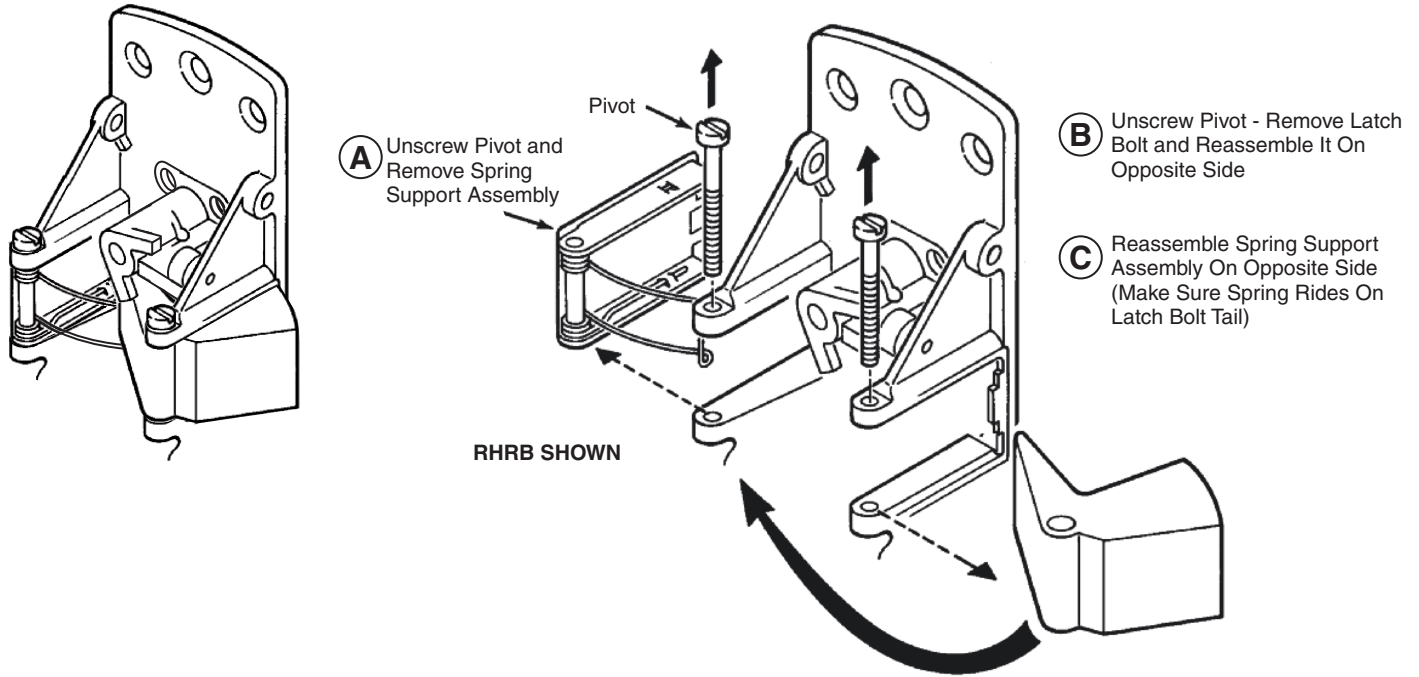
Locking Screw

Check Application For Proper Hand And Function. If Required, Adjust Exit Device As Follows:

LHR
Left Hand Reverse
Hinges Left
Open Outward

RHR
Right Hand Reverse
Hinges Right
Open Outward

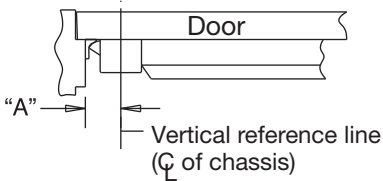
To Change Hand



Identify Type of Installation

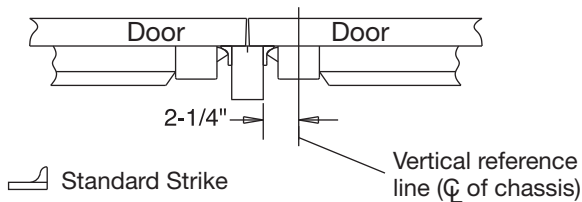
Identify type of installation to determine location of vertical ζ

Single Door (Non-Fire Rated)

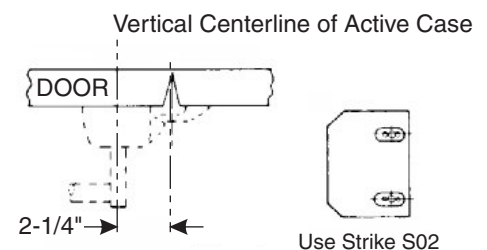


- For Standard strike Dim. "A" = 2-1/4"
- For S04 strike Dim. "A" = 1-3/4"

Double Door with 900 Mullion

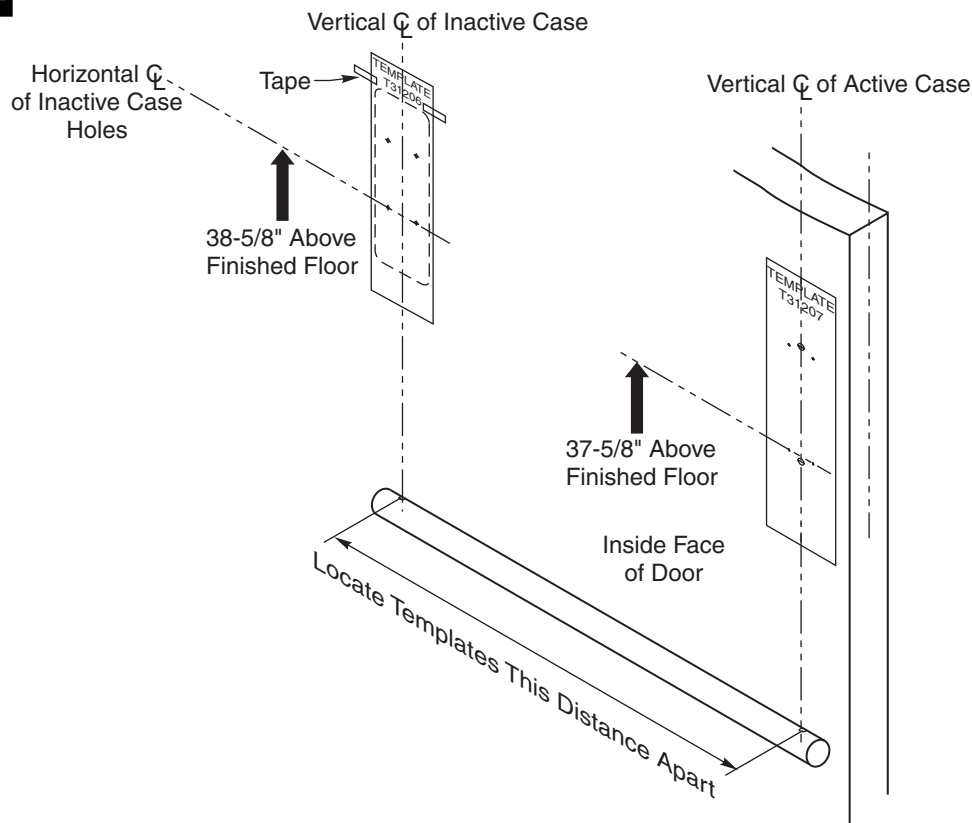


Double Doors With No Mullion

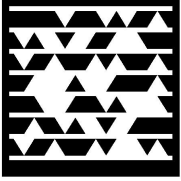




A. Template



1. Draw vertical centerline of active case based on types of installation.
2. Measure 37-5/8" above finished floor and draw horizontal line for active case template.
3. Align template (T31207) for active case with centerline and tape.
4. Using crossbar hole centers for measuring, draw vertical centerline of inactive case.
5. Measure 38-5/8" above finished floor and draw horizontal line for inactive case template (1" higher than the active case).
6. Align template (T31206) for inactive case with centerline and tape.
7. Pin punch mounting holes for active and inactive cases on door.
8. Drill and tap holes in door, per the template (T31207).



B. Active Case

1. Press in latchbolt and remove cover from active case chassis.
2. Mount chassis to door as indicated in Figures 1 and 2.
3. Depress the chassis arm to confirm the latchbolt retracts.

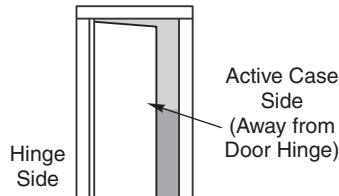


Figure 1

Active Case Mounting Screws - Actual Size

Wood:
#10 x 1-1/4"
Phillips Flat Head
(Total 4)

Active Case Mounting Screws - Actual Size

Metal:
#10-24 x 3/4"
Phillips Flat Under Cut
(Total 4)

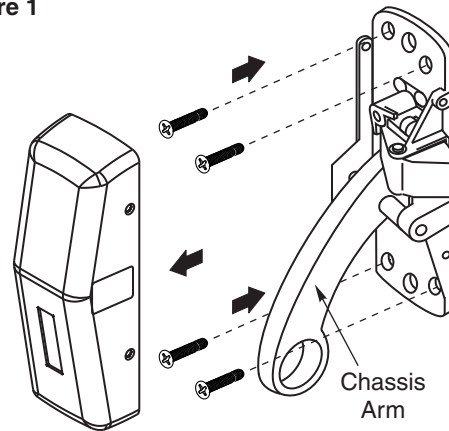
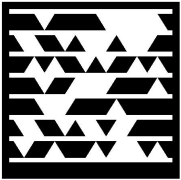


Figure 2



C. Inactive Case

1. Remove cover.
2. Mount chassis to door as indicated in Figures 3 and 4.

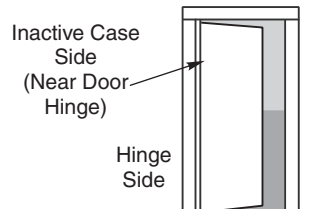


Figure 3

Inactive Case Mounting Screws - Actual Size

Wood:
#10 x 1-1/4"
Phillips Flat Head
(Total 4)

Inactive Case Mounting Screws - Actual Size

Metal:
#10-24 x 3/4"
Phillips Flat Under Cut
(Total 4)

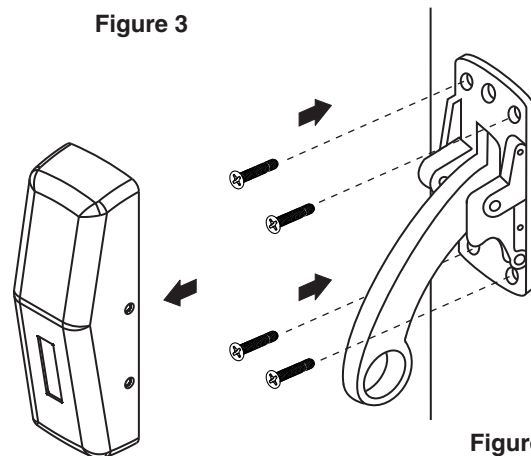
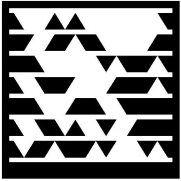


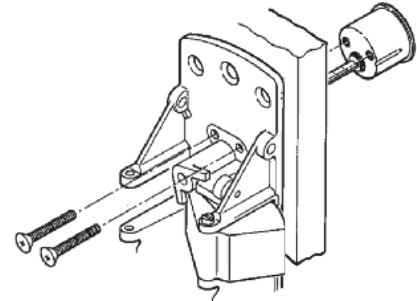
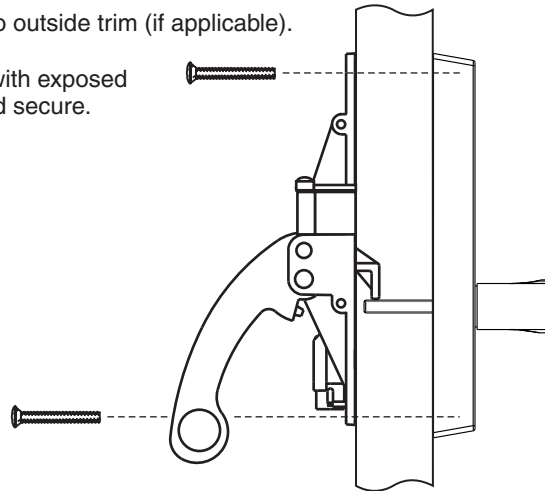
Figure 4

ED3200/ED3200A Series Rim Exit Device



D. Attach Outside Trim

1. Slide thrubolt screws thru inside chassis.
2. Thread cylinder into outside trim (if applicable).
3. Align outside trim with exposed thrubolt screws and secure.



NOTE:
For Nightlatch function, secure cylinder to chassis.
This method allows cylinder to be removed at a later date for rekeying without taking device off door.

Outside Trim Mounting Screws - Actual Size

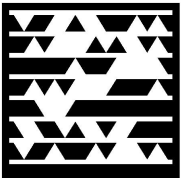


1/4 -20 x
2-3/8" Phillips
Flat Head
(Total 2)

Cylinder Mounting Screws - Actual Size

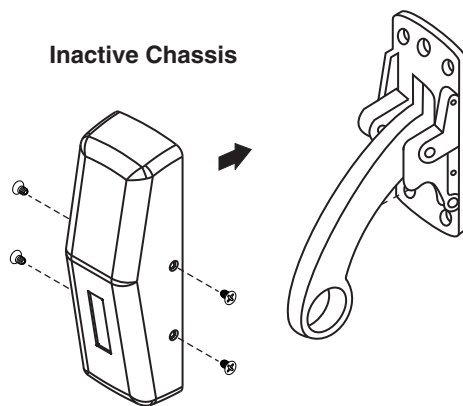


#10-24 x 2"
Phillips Oval
Head Machine
Screw
(Total 2)

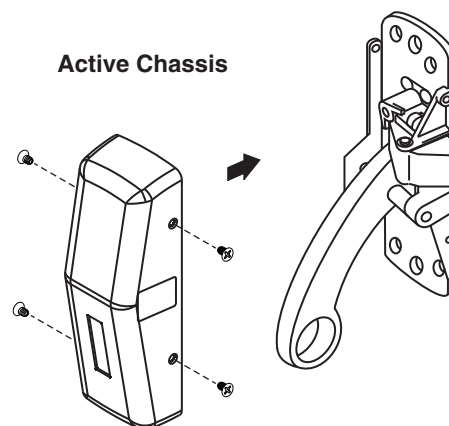


E. Covers

1. Attach covers to both chassis and secure.



Inactive Chassis

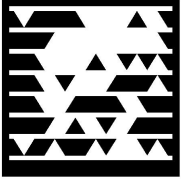


Active Chassis

Cover Mounting Screws - Actual Size

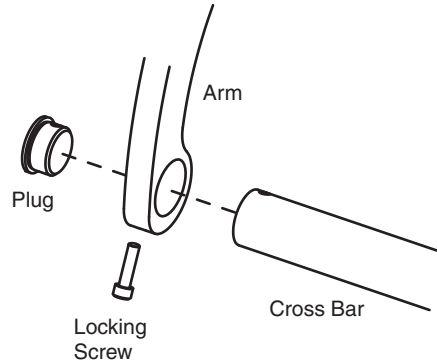


#8-32 x 7/32"
Phillips Oval
Head
(Total 8)

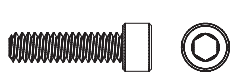


F. Crossbar

1. Slide crossbar into active chassis arm.
2. Slide crossbar into inactive chassis arm.
3. Insert plugs and secure to bar with locking screws.
4. Depress the crossbar to confirm proper operation.
5. Test for full latch retraction when dogged.



Crossbar Mounting Screws - Actual Size



#10-24 x 3/4"
Socket Head
Cap Screw
(Total 2)

G. Strike

1. Align strike onto door frame and adjust for proper position.
2. Center punch mounting holes.
3. Drill and tap holes in frame.
4. Secure strike in place.
5. Standing inside the room, close door and confirm latchbolt fully engages.

Note: If latchbolt does not fully engage, review installation measurements of active and inactive chassis, and strike.