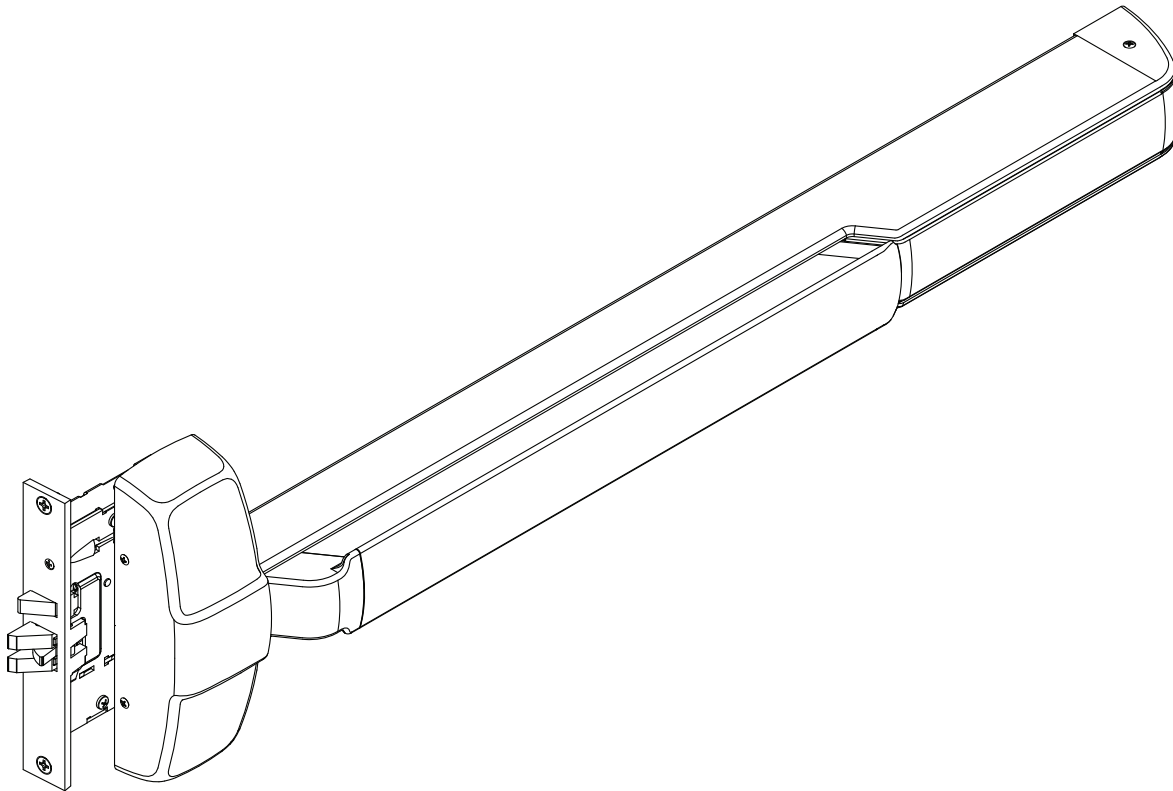


## PED5600 & PED5600 A Series

### Mortise Lock Type Exit Device



#### **⚠ WARNING**

This product can expose you to lead which is known to the state of California to cause cancer and birth defects or other reproductive harm. For more information go to [www.P65warnings.ca.gov](http://www.P65warnings.ca.gov).

For installation assistance contact Corbin Russwin  
1-800-543-3658 • [techsupport.corbinrusswin@assaabloy.com](mailto:techsupport.corbinrusswin@assaabloy.com)

Copyright © 2023 ASSA ABLOY Access and Egress Hardware Group, Inc. All rights reserved. Reproduction in whole or in part without the express written permission of ASSA ABLOY Access and Egress Hardware Group, Inc. is prohibited.

#### **⚠ WARNING**

Attention Installer: Improper installation may result in damage to the product and void the factory warranty.

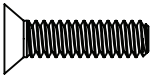

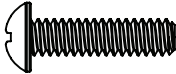

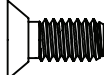

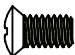


# PED5600 & PED5600 A Series

## Mortise Lock Type Exit Device

### Installation Instructions



## Screw Chart

DESCRIPTION	TOTAL QTY SUPPLIED	WHERE USED
 #10-24 X 3/4" FLAT HEAD MACHINE SCREW	4	(4) CHASSIS CORNER MOUNTING HOLES (METAL DOOR)
 #10 X 1-1/4" FLAT HEAD WOOD SCREW	4	(4) CHASSIS CORNER MOUNTING HOLES (WOOD DOOR)
 #10-24 X 3/4" ROUND HEAD MACHINE SCREW	2	(2) REAR MOUNTING PLATE (METAL DOOR)
 #10 X 1-1/4" ROUND HEAD WOOD SCREW	2	(2) REAR MOUNTING PLATE (WOOD DOOR)
 #12-24 X 1/2" FLAT HEAD MACHINE SCREW	4	(2) 908 STRIKE (METAL FRAME) (2) MORTISE LOCK BODY (METAL DOOR)
 #12 X 1" FLAT HEAD WOOD SCREW	4	(2) 908 STRIKE (WOOD FRAME) (2) MORTISE LOCK BODY (WOOD DOOR)
 #8-32 X 5/16" W/ #6 OVAL HEAD MACHINE SCREW	4	(2) CHASSIS COVER FRAME SIDE (2) END CAP
 #8-32 X 5/8" W/ #6 OVAL HEAD MACHINE SCREW	2	(2) CHASSIS COVER RAIL SIDE
 1/4"-20 X 2-3/8" KNURLED FLAT HEAD MACHINE SCREW	2	(2) EXIT TRIM (IF USED)

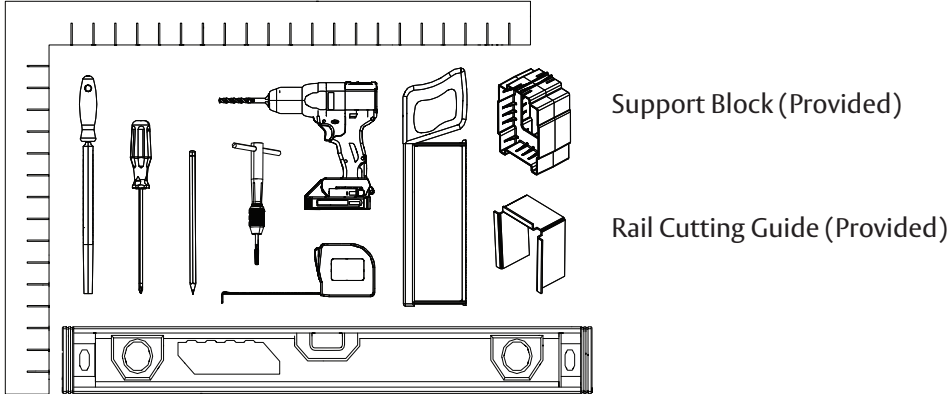
# PED5600 & PED5600 A Series

## Mortise Lock Type Exit Device

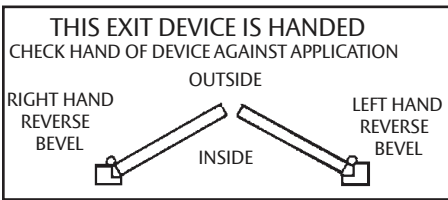
### Installation Instructions



### Tools Needed



### PED5600 & PED5600 A Exploded View



Mounting Plate

End Cap

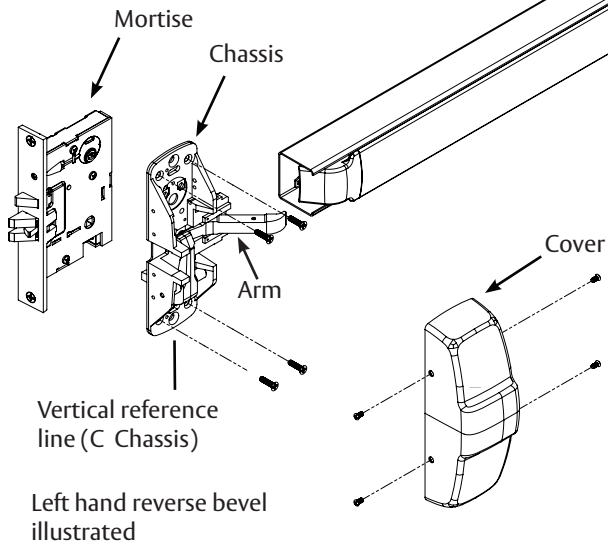
Push Rail Assembly

#### “Lock Down Key”

To operate: Depress pushrail; insert hex key, and turn counter clockwise.

#### Attention:

Not available with Fire Rated PED5600 A Exit Devices.



M52-Cylinder Lockdown  
(Exploded View for Clarity)

For installation assistance contact Corbin Russwin  
1-800-543-3658 • techsupport.corbinrusswin@assaabloy.com

FM580 1/23

Copyright © 2023 ASSA ABLOY Access and Egress Hardware Group, Inc. All rights reserved. Reproduction in whole or in part without the express written permission of ASSA ABLOY Access and Egress Hardware Group, Inc. is prohibited.

# PED5600 & PED5600 A Series

## Mortise Lock Type Exit Device

### Installation Instructions



### Product Overview

#### Before installation:



1. Check hand of door. This device is handed and non-reversible.
2. Install mullion, if used.
3. Fit and hang door.
4. For wood doors, use wood screws and prep accordingly.



The surface of the door where the exit device is to be applied must be flush. Clear away any raised projections to allow exit device to rest on the flat surface of the door. If shim kit is required, contact your distributor.

Note: Please refer to trim and other installation instructions provided in the box.

# PED5600 & PED5600 A Series

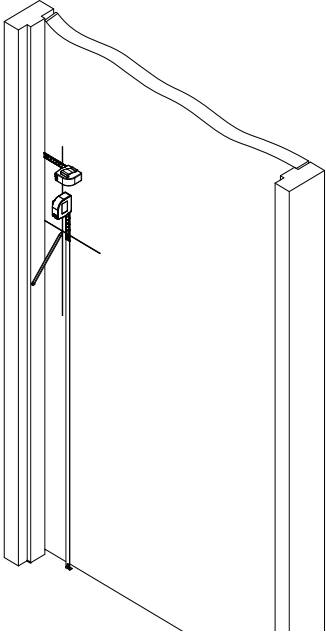
## Mortise Lock Type Exit Device

### Installation Instructions



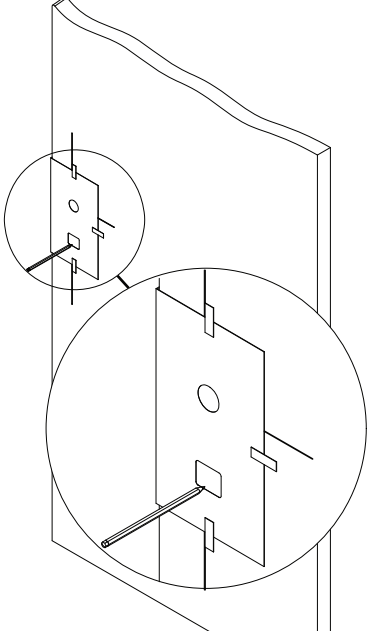
ASSA ABLOY

**1**



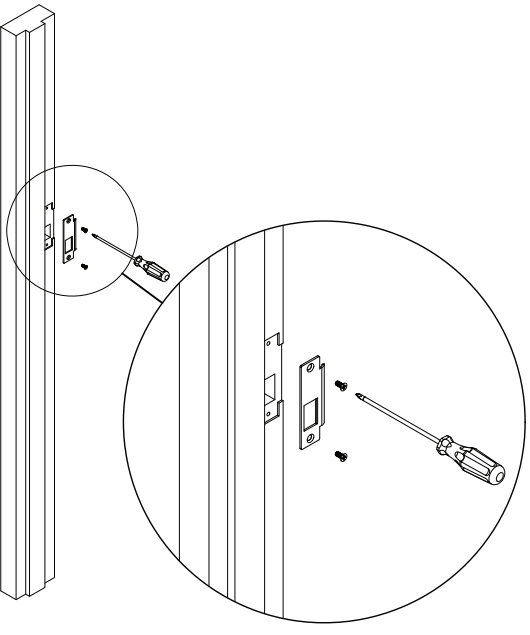
Obtain dimension to finished floor from template or from relationship to strike prep. Mark vertical centerline by measuring 2 3/4" off of the door edge.

**2**



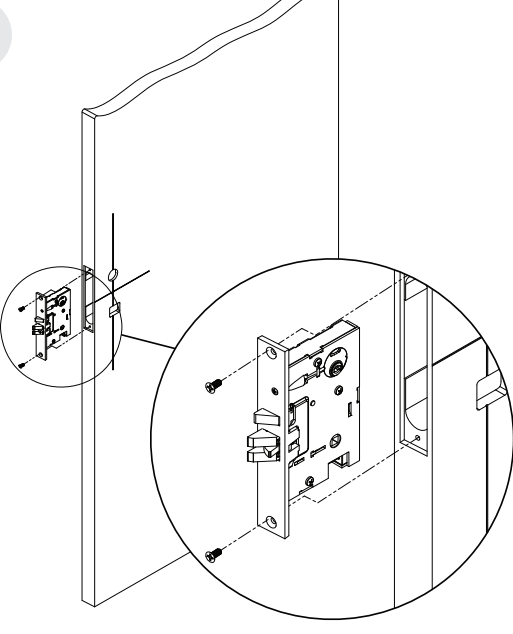
Place template against frame, centered on the line marked in Step 1. Mark and prepare door according to template.

**3**



Install the strike to door frame using flat head #12-24 x 1/2" long screws.

**4**



Install the mortise lock body using flat head #12-24 x 1/2" long screws.

For installation assistance contact Corbin Russwin  
1-800-543-3658 • [techsupport.corbinrusswin@assaabloy.com](mailto:techsupport.corbinrusswin@assaabloy.com)

FM580 1/23

Copyright © 2023 ASSA ABLOY Access and Egress Hardware Group, Inc. All rights reserved. Reproduction in whole or in part without the express written permission of ASSA ABLOY Access and Egress Hardware Group, Inc. is prohibited.

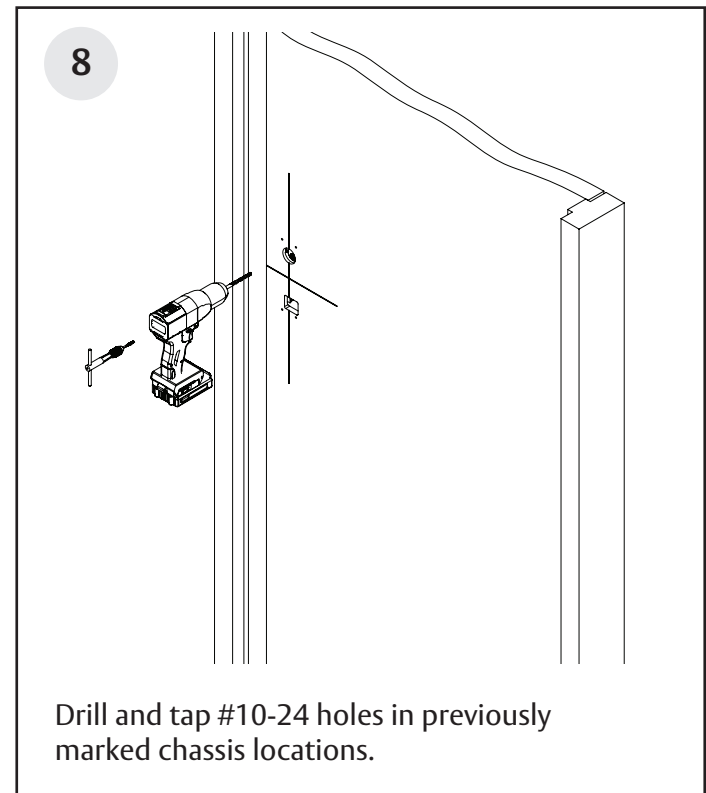
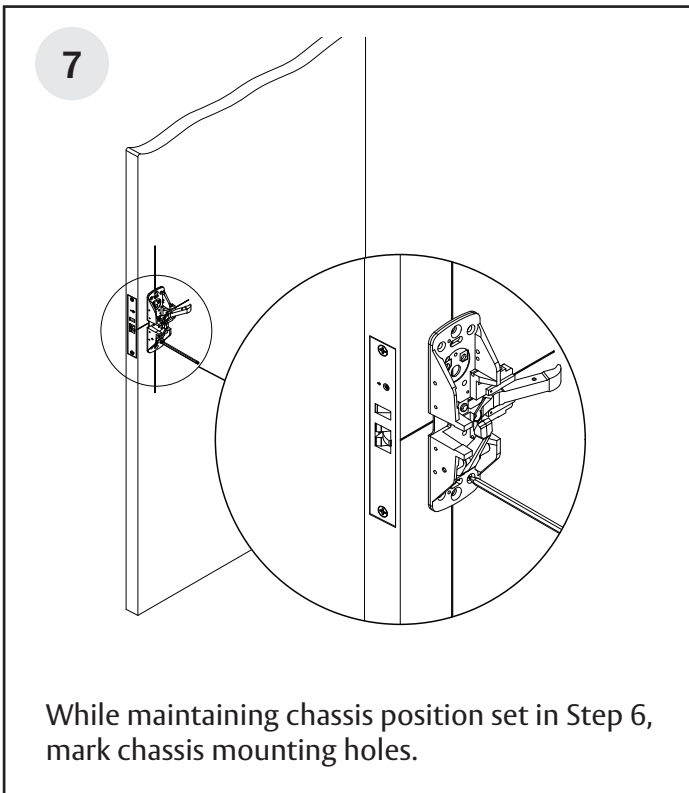
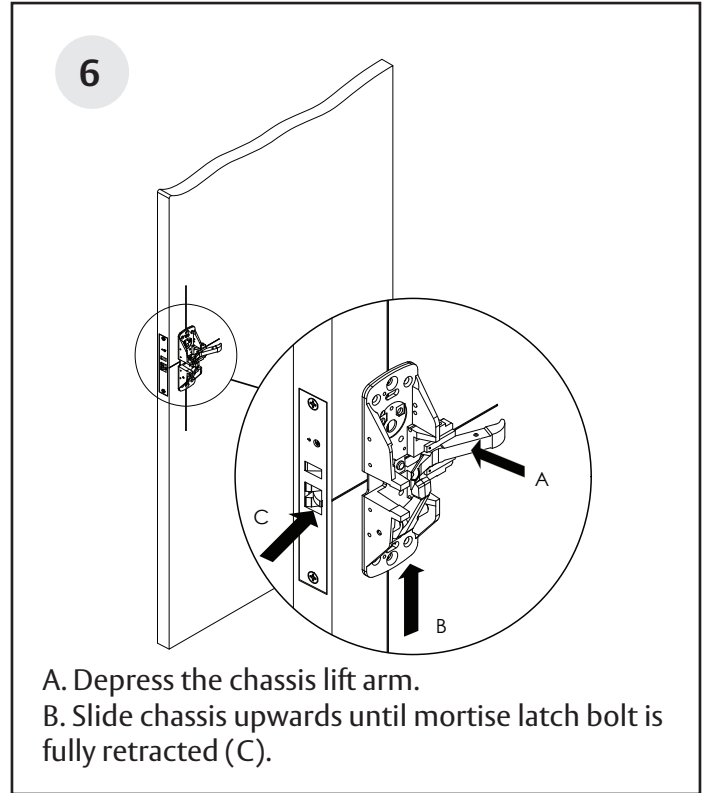
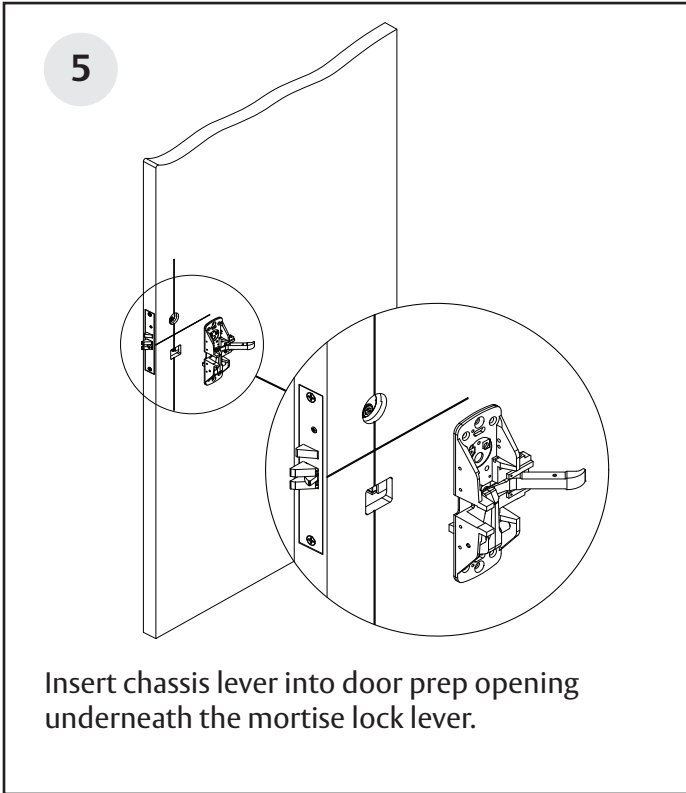
# PED5600 & PED5600 A Series

## Mortise Lock Type Exit Device

### Installation Instructions



ASSA ABLOY



For installation assistance contact Corbin Russwin  
1-800-543-3658 • techsupport.corbinrusswin@assaabloy.com

FM580 1/23

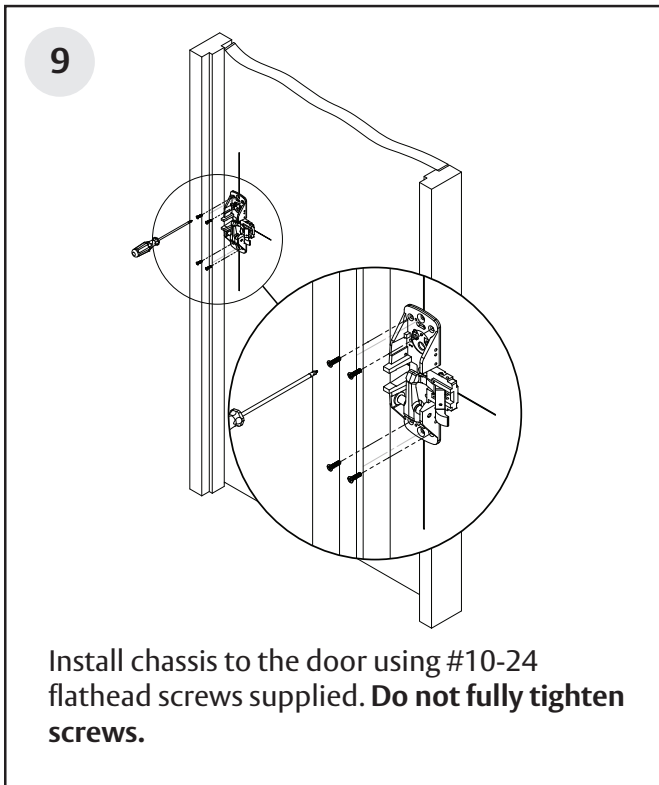
Copyright © 2023 ASSA ABLOY Access and Egress Hardware Group, Inc. All rights reserved. Reproduction in whole or in part without the express written permission of ASSA ABLOY Access and Egress Hardware Group, Inc. is prohibited.

Experience a safer  
and more open world

# PED5600 & PED5600 A Series

## Mortise Lock Type Exit Device

### Installation Instructions



# PED5600 & PED5600 A Series

## Mortise Lock Type Exit Device

### Installation Instructions



### Rail cutting guide

If the rail doesn't need to be cut, continue to page 9, step 10.  
If the rail must be cut, follow these steps on page 7 and 8:

Refer to the individual exit device installation instructions for rail cutting requirements / restrictions. Instructions will vary based on device type and options.

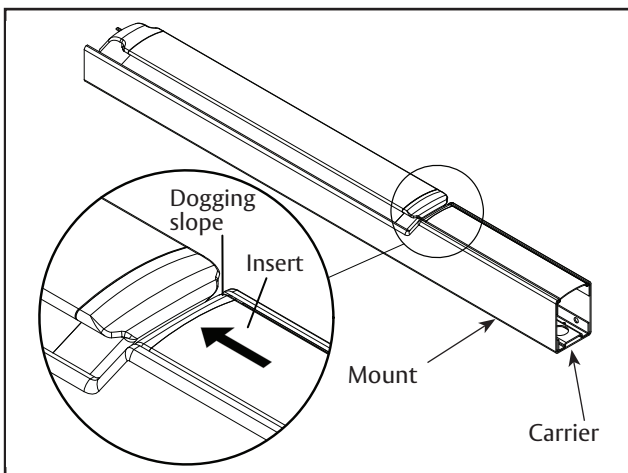
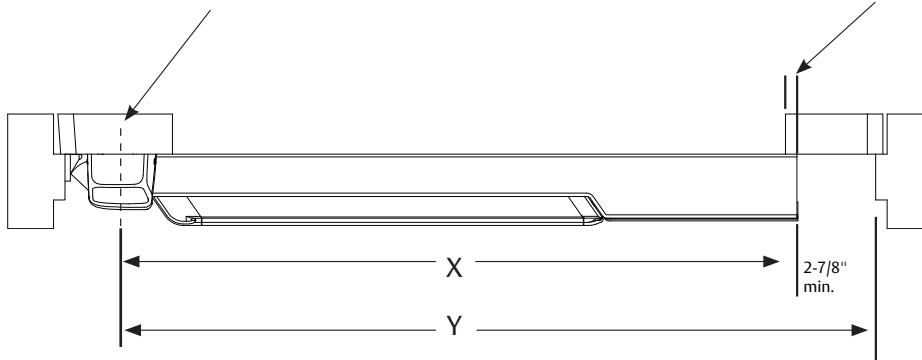
- Determine cut off dimension "X" by subtracting 2-7/8" from dimension "Y". Mark cut off point on mounting rail. (See below.)

 Do not cut closer than 1-5/8" from the the front edge of the rail insert.

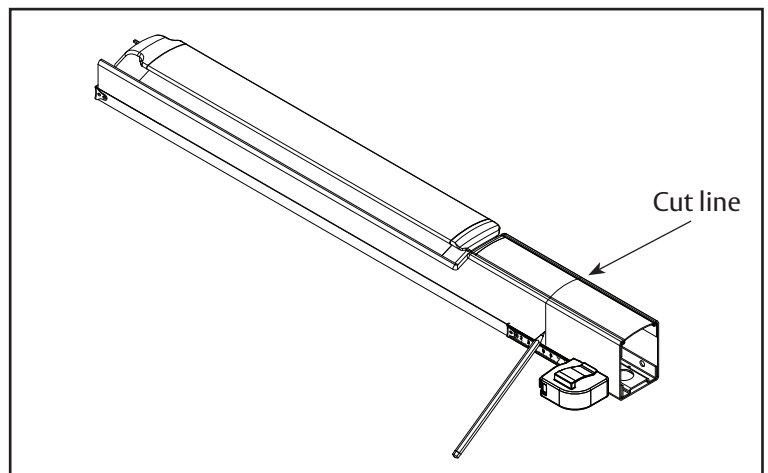
Rail Sizes	Door Widths	
	Standard	Minimum
W032	32"	24"
W036 (Std.)	36"	33"
W042	42"	37"
W048	48"	43"

Verticle reference line (C of chassis)

For doors with stile rail, the stile must overlap by 5/16" min.



A. Ensure there isn't a gap between the insert and the dogging slope, and the carrier is flush with the mount.



B. Mark rail at the required cut length.

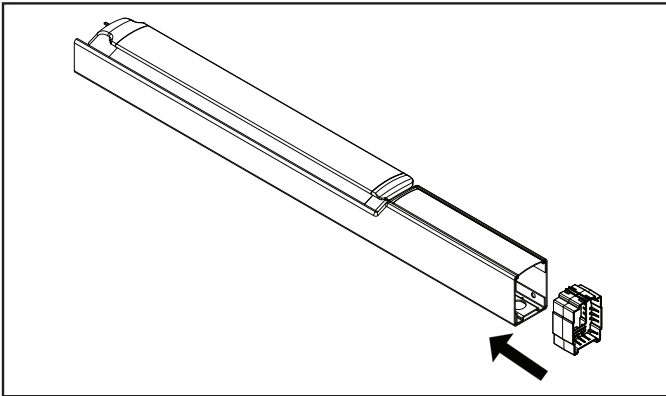
# PED5600 & PED5600 A Series

## Mortise Lock Type Exit Device

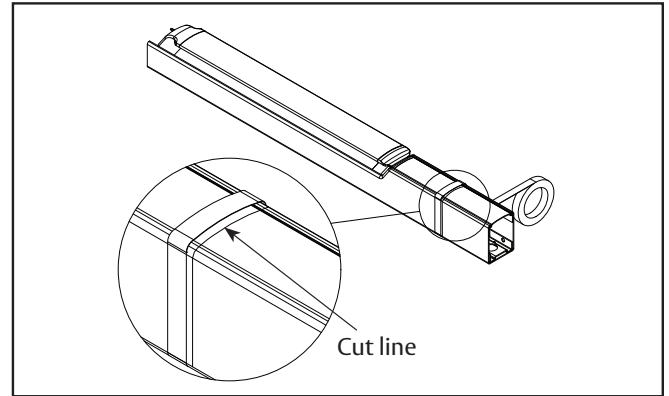
### Installation Instructions



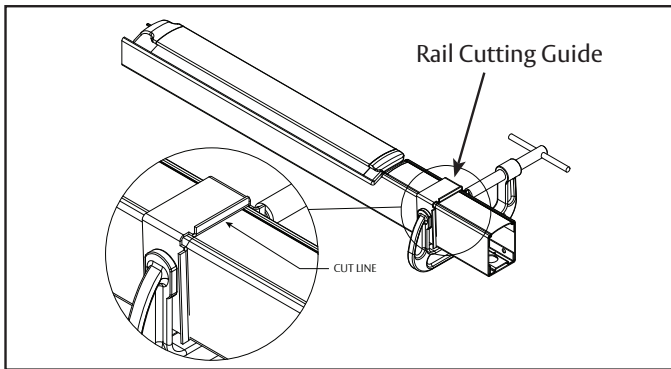
### Rail cutting guide, continued.



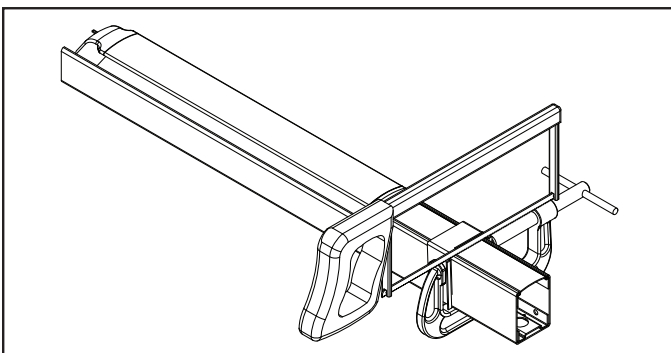
C. Ensure plastic insert support is installed under the cut line.



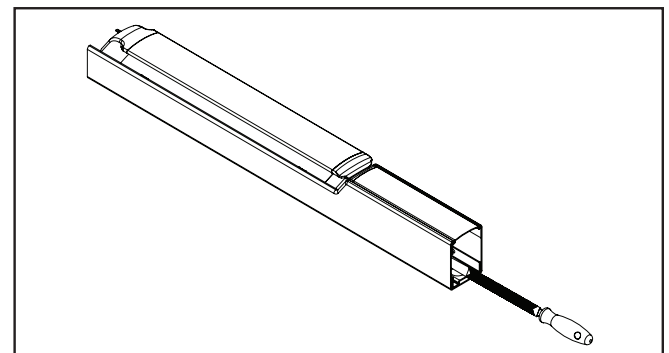
D. Wrap the rail and insert in masking tape, as shown.



E. Place the rail cutting guide over the masking tape and align it with the cut line. Clamp the cut guide to the rail using a C-clamp.



F. Using a hack saw with a new blade or a chop saw with a metal cutting blade, cut the rail, ensuring that the blade stays pressed against the rail cutting guide.



G. Deburr and smooth all cut edges with a file.

For installation assistance contact Corbin Russwin  
1-800-543-3658 • techsupport.corbinrusswin@assaabloy.com

Copyright © 2023 ASSA ABLOY Access and Egress Hardware Group, Inc. All rights reserved. Reproduction in whole or in part without the express written permission of ASSA ABLOY Access and Egress Hardware Group, Inc. is prohibited.

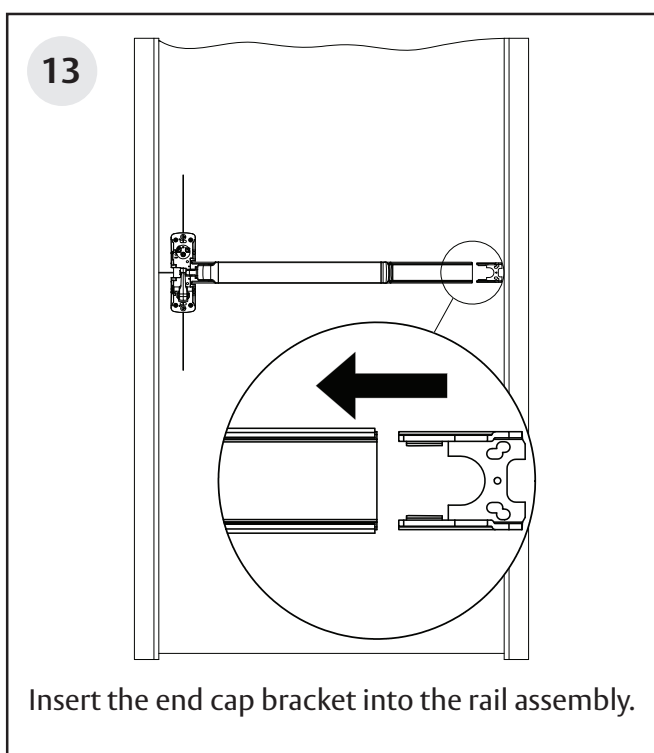
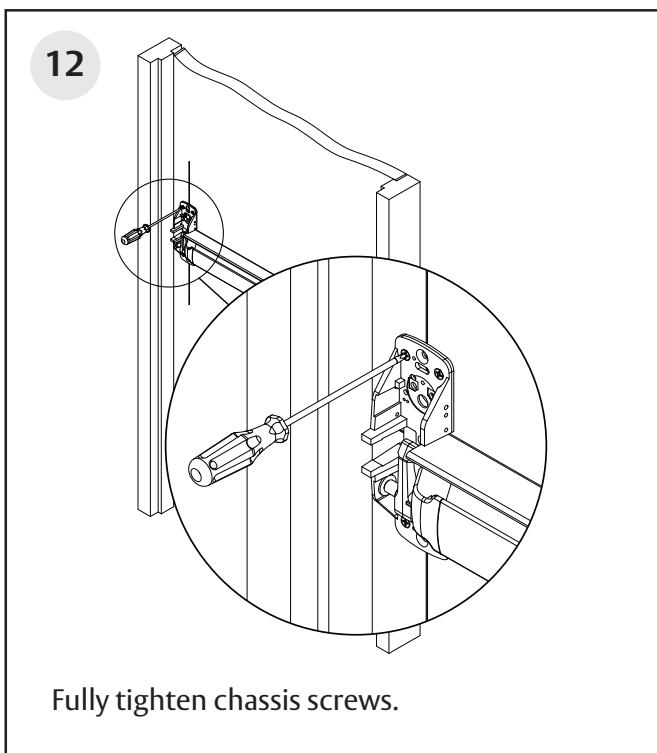
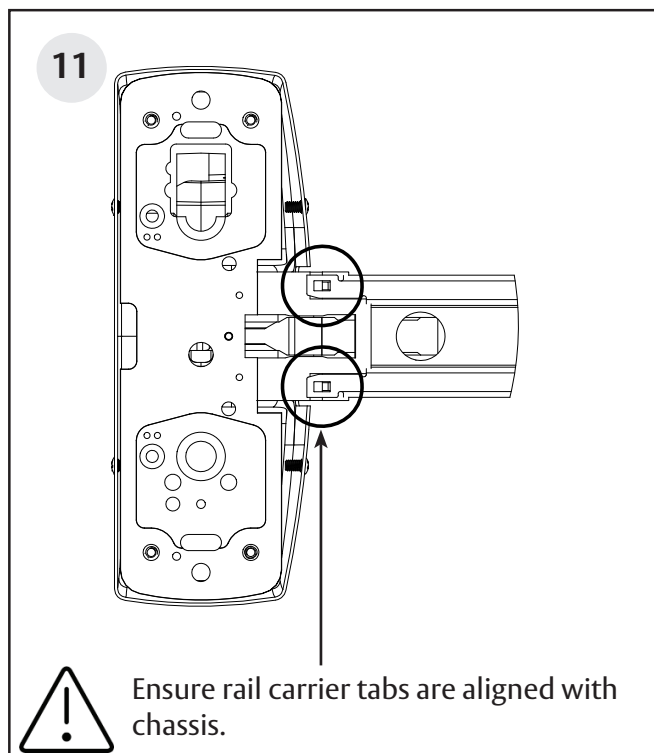
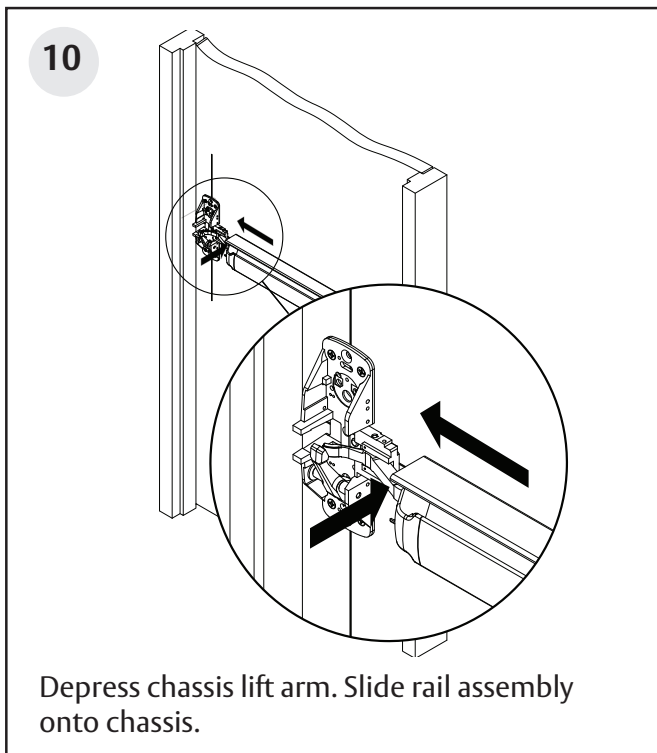
# PED5600 & PED5600 A Series

## Mortise Lock Type Exit Device

### Installation Instructions



ASSA ABLOY



For installation assistance contact Corbin Russwin  
1-800-543-3658 • techsupport.corbinrusswin@assaabloy.com

FM580 1/23

Copyright © 2023 ASSA ABLOY Access and Egress Hardware Group, Inc. All rights reserved. Reproduction in whole or in part without the express written permission of ASSA ABLOY Access and Egress Hardware Group, Inc. is prohibited.

# PED5600 & PED5600 A Series

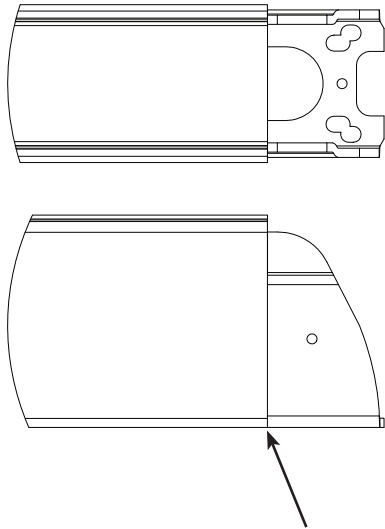
## Mortise Lock Type Exit Device

### Installation Instructions



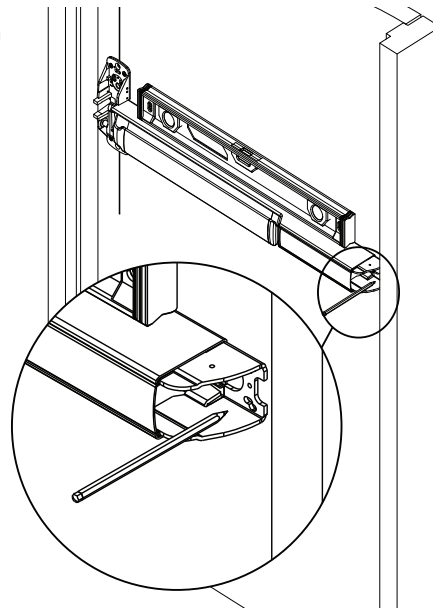
ASSA ABLOY

14



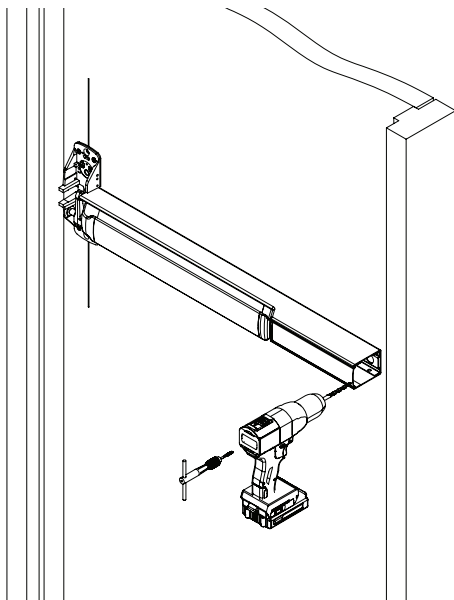
Ensure mounting rail bracket is against the rail without a gap.

15

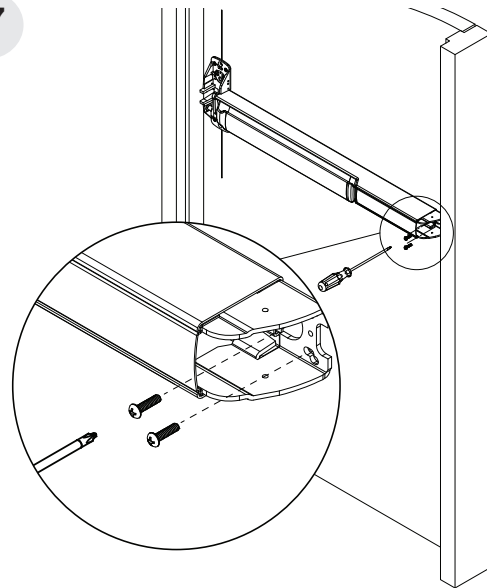


Level the rail and mark mounting holes using the bracket as a guide.

16



17



Install end cap bracket using supplied round head phillips #10-24 x 1" screws.

For installation assistance contact Corbin Russwin  
1-800-543-3658 • techsupport.corbinrusswin@assaabloy.com

Copyright © 2023 ASSA ABLOY Access and Egress Hardware Group, Inc. All rights reserved. Reproduction in whole or in part without the express written permission of ASSA ABLOY Access and Egress Hardware Group, Inc. is prohibited.

