

# BA-1

Paging Adaptor

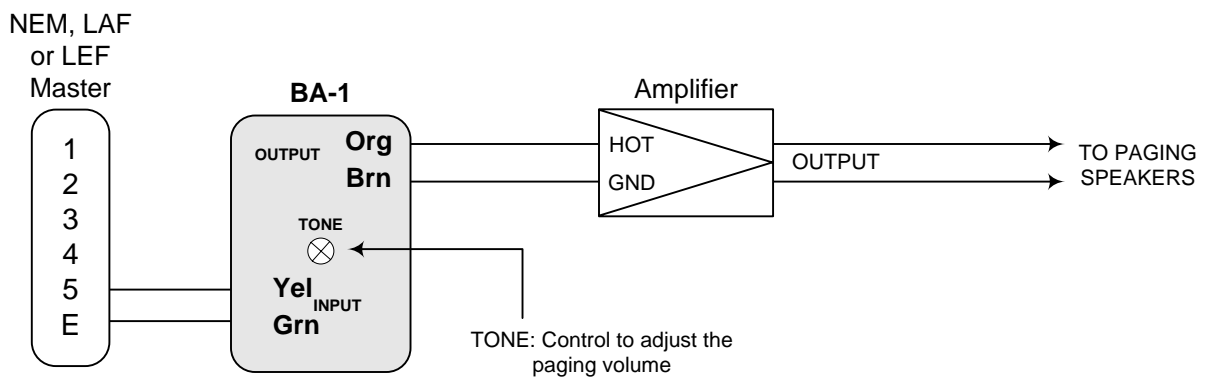
Use with:

**LEM, LEF, LAF/LDF, or NEM/NDR Series Masters**

## - INSTRUCTIONS -

The BA-1 Paging Adaptor allows paging to external speakers from the NEM, LAF, LEF, LDF and LEM series master stations. For each zone of paging, use a BA-1 with the appropriate sized amplifier. The BA-1 provides outgoing paging only. Talkback is not available.

### WIRING DIAGRAM:



### NOTES:

1. The above example shows station 5 accessing the paging zone. Any unused station can be used for a paging zone.
2. The colored wires at each end of the BA-1 are the Input and Output. Connect them to the intercom and amplifier as shown.
3. Only wiring concerning the BA-1 is shown here. For complete installation information see the system's instruction manual.
4. The TONE control is located on the top of the BA-1, and requires a screwdriver for adjustment.

### SPECIFICATIONS:

Power Source: Supplied by master  
 Input: 20 ohms  
 Output: 10K ohms  
 Amplifier input requirements: Aux input (10K ohms)  
 Dimensions: 4-1/8"H x 2-1/2"W x 1-1/2"D

### BA-1 COLOR CODE DEFINITIONS:

Org: Hot side of output  
 (Connect to amplifier input)  
 Brn: Ground side of output  
 (Connect to amplifier input)  
 Yel: Hot side of BA-1 input  
 (Connect to station # on master)  
 Grn: Ground side of input  
 (Connect to "E" terminal on master)