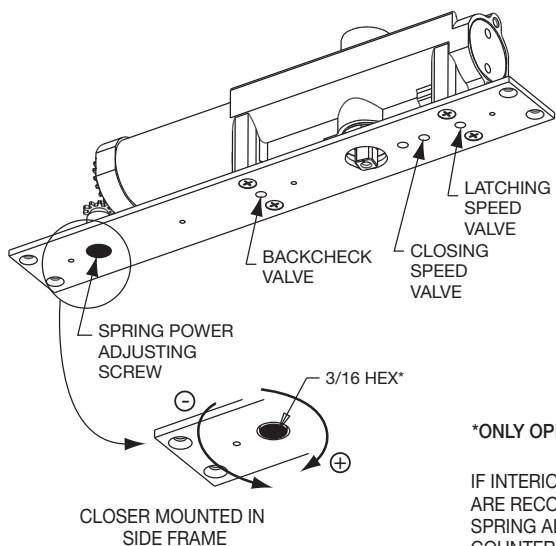



# INSTALLATION INSTRUCTIONS CONCEALED DOOR CLOSER WITH REGULAR "O" HOLD OPEN "H" & FUSIBLE LINK "F" ARMS 278 NON SIZED ADJUSTABLE SIZES 1 THROUGH 6 COMPLIES WITH ADA REQUIREMENTS

**SARGENT**  
**ASSA ABLOY**


FOR INSTALLATION ASSISTANCE CALL SARGENT AT 1-800-727-5477 • www.sargentlock.com



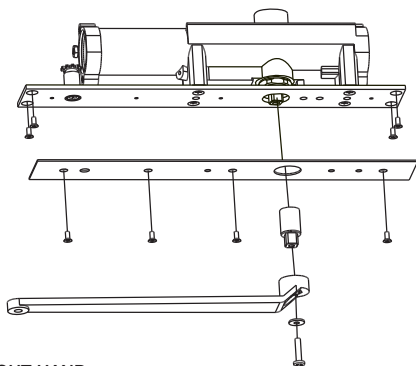
| DOOR WIDTH (INCHES) | APPROXIMATE DOOR WEIGHT (POUNDS) | NUMBER OF TURNS OF SPRING POWER ADJUSTING NUT FROM FACTORY SETTING (USE CHART AS GUIDE ONLY) |  |
|---------------------|----------------------------------|--|--|
|                     |                                  | 278 EXTERIOR DOORS   | INTERIOR DOORS  |
| 24                  | 80                               | FACTORY SET  |  |
| 30                  | 110                              | 1-5 CW   | 1-5 CCW  |
| 32                  | 115                              |  |  |
| 36                  | 130                              | 5-8 CW   | FACTORY SET  |
| 40                  | 150                              |  |  |
| 42                  | 155                              | 8-13 CW  | FACTORY SET  |
| 44                  | 165                              |  |  |
| 46                  | 170                              | 13-15 CW   | 1-5 CW   |
| 48                  | 180                              |  |  |
| OVER 48             |                                  | UP TO 19 CW AS REQ.  | 5 CW AND UP AS REQ.  |

ADJUST SPRING POWER ACCORDING TO CHART

\*ONLY OPEN DOOR A FEW INCHES WHILE ADJUSTING.

IF INTERIOR DOORS DO NOT HAVE TO COMPLY WITH ADA  REQUIREMENTS, EXTERIOR DOOR SETTINGS ARE RECOMMENDED. WHERE STRONG DRAFTS EXIST, INCREASE SPRING POWER AS NEEDED BY TURNING SPRING ADJUSTMENT SCREW CLOCKWISE. IF NECESSARY, REDUCE SPRING POWER BY TURNING SCREW COUNTERCLOCKWISE.

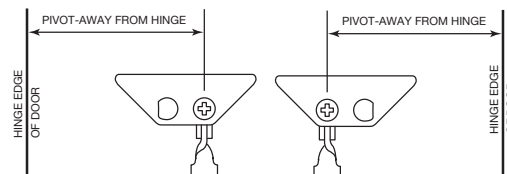
**A** INSTALL CLOSER INTO PREPARED FRAME  
CAUTION: INSTALL CLOSER BODY WITH SHORT END TOWARD HINGE SIDE OF FRAME.



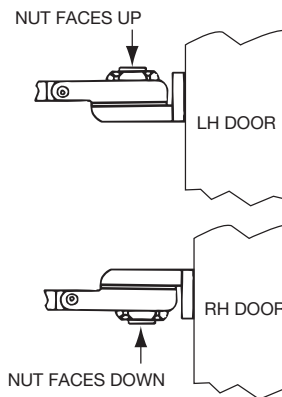
**B** ATTACH FOOT TO DOOR

USE TEMPLATE ENCLOSED TO LOCATE, DRILL AND TAP HOLES.

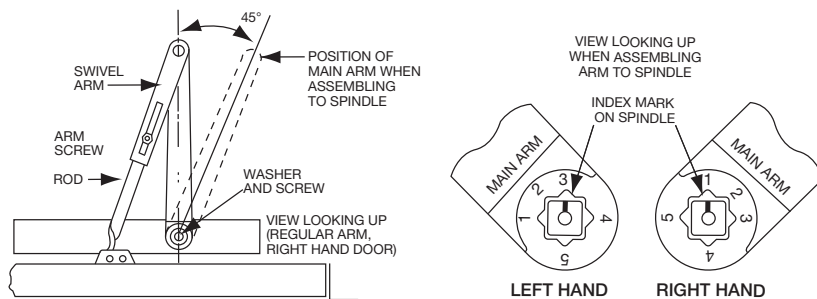
FOR REGULAR ARM



FOR HOLD-OPEN ARM



**C** 1. SECURE MAIN ARM TO CLOSER WITH INDEX MARK ON SPINDLE AS ILLUSTRATED BELOW WITH WASHER AND SCREW. (PRELOAD 45°)  
2. OPEN DOOR AND INSERT RECTANGULAR ROD INTO SWIVEL (OR HOLD OPEN ARM), THEN CLOSE DOOR AND TIGHTEN ARM SCREW WHEN MAIN ARM IS AT RIGHT ANGLE TO DOOR. SEE ILLUSTRATION BELOW.



**A7321C (O, H & FUSIBLE LINK ARMS)**

# FINAL ADJUSTMENT AND REGULATING PROCEDURE

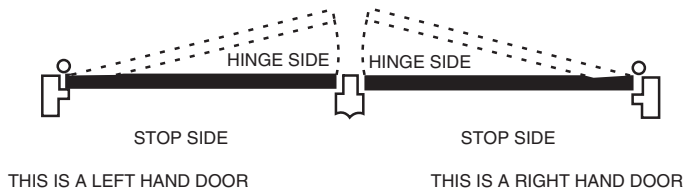
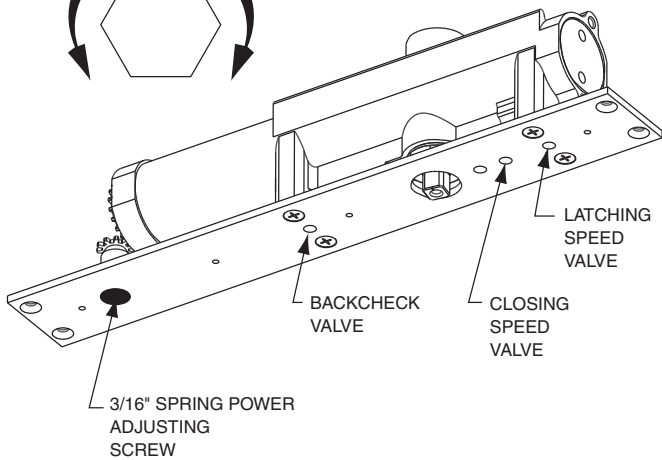
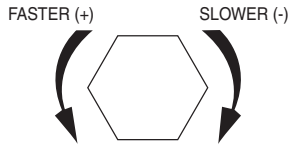
**SARGENT**

**ASSA ABLOY**

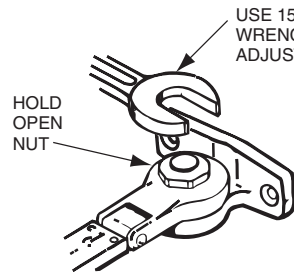
FOR INSTALLATION ASSISTANCE CALL SARGENT AT 1-800-727-5477 • www.sargentlock.com

## A REGULATING DOOR SPEED AND LATCHING SPEED

USE HEX SOCKET (1/8" ALLEN) WRENCH AND TURN VALVES CLOCKWISE TO SLOW DOWN OR COUNTER CLOCKWISE TO SPEED UP DOOR MOVEMENT.



## B ADJUSTING HOLD OPEN ARM WITH OR WITHOUT FUSIBLE LINK



SLIGHT TIGHTENING OR LOOSENING OF HOLD OPEN NUT CHANGES HOLDING POSITION OF DOOR.

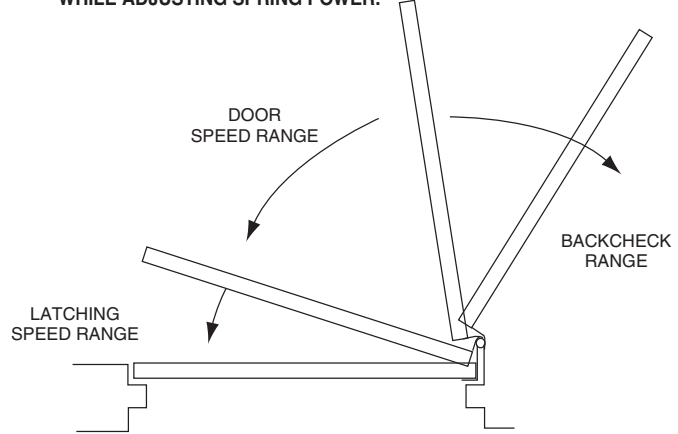
NOTE: TO PROTECT WALL TRIM AND CLOSER, USE A DOOR STOP LOCATED 10' BEYOND HOLD OPEN POSITION BUT NOT BEYOND THE MAX. DOOR OPENING SHOWN ON INSTRUCTIONS.

NUT FACES UP FOR LH DOORS.

## C ADJUSTING POWER

USE 3/16" HEX AND CHART FROM PAGE 1 AS NEEDED.

**ONLY OPEN DOOR A FEW INCHES WHILE ADJUSTING SPRING POWER.**



## D REGULATING BACKCHECK

TO REGULATE THE INTENSITY OF BACKCHECK ACTION, TURN VALVE CLOCKWISE TO INCREASE OR COUNTERCLOCKWISE TO DECREASE CHECKING.

CAUTION: SET VALVE FOR SLIGHT CUSHIONING EFFECT, IT IS DAMAGING TO THE CLOSER IF THE CHECKING ACTION IS TOO ABRUPT. AN AUXILIARY DOOR STOP MUST BE USED TO PROTECT DOOR AND WALL.

## ACCESSORIES INFORMATION

MORTISE NUTS FOR BOLTING THRU THE DOOR ARE ONLY FURNISHED WHEN ORDERED.