

# INSTALLATION INSTRUCTIONS

## 1431 Door Closers with CPS/CPSH Arms



# SARGENT

# ASSA ABLOY

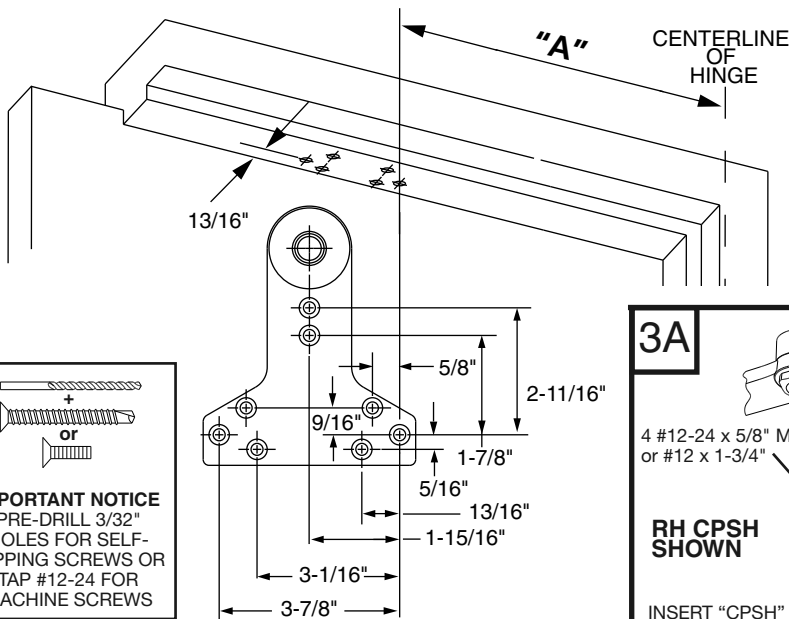
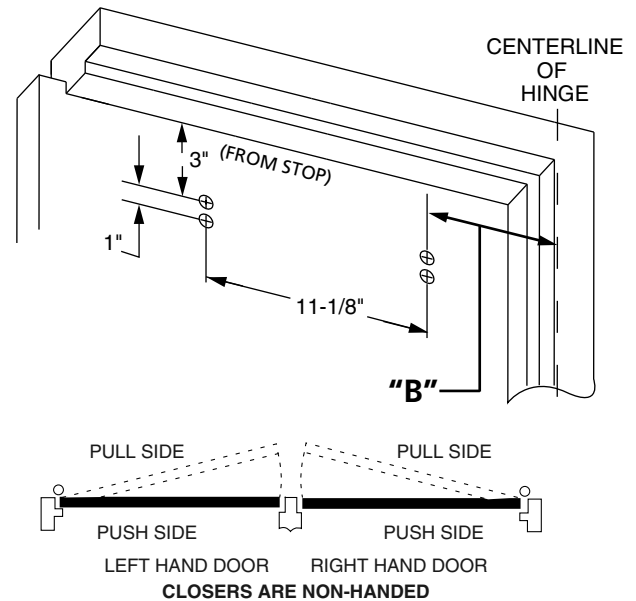
### 1431 ADJUSTABLE FROM SIZE 1 THRU 6

FOR INSTALLATION ASSISTANCE CALL SARGENT AT 1-800-727-5477 • www.sargentlock.com

**1** DETERMINE MAXIMUM DEGREE OF OPENING OR HOLD OPEN (CPSH) REQUIRED. DRILL AND TAP DOOR AND FRAME FOR #12-24 MACHINE SCREWS. WHEN USING SELF TAPPING SCREWS PROVIDED, PREDRILL WITH A 3/32" DRILL.

DEGREE OF DOOR OPENING AT "HOLD OPEN" ■					
	85°	90°	95°	100°●	105°●
<b>DIM. "A"</b>	9-11/16"	9-1/16"	8-5/16"	7-11/16"	7-3/16"
<b>DIM. "B"</b>	4-3/8"	3-3/4"	3"	2-3/8"	1-7/8"

- DO NOT USE SWING CLEAR HINGES FOR DOOR OPENINGS GREATER THAN 95°. USE ALTERNATE TYPE HINGES.
- DIMENSIONS FOR GIVEN DEGREE BASED ON 4-1/2" HINGE. WHEN 3-1/2" TO 6" HINGES ARE USED, HOLD OPEN ANGLE WILL CHANGE BY LESS THAN 1/2°. DEAD STOP OCCURS 3° BEYOND HOLD OPEN.



**IMPORTANT NOTICE**  
PRE-DRILL 3/32" HOLES FOR SELF-TAPPING SCREWS OR TAP #12-24 FOR MACHINE SCREWS

**3A** ARM MUST BE THE SAME HAND AS THE DOOR. ASSEMBLE THE HOLDER WITH BUMPER & INSERT (CPSH ONLY) TO FOOT BRACKET AS LOCATION OF THESE PARTS DETERMINES THE "HAND".

**RH CPSH SHOWN**

4 #12-24 x 5/8" MS or #12 x 1-3/4"

BUMPER & HOLDER

12-24 x 1" MS or #12 x 1-3/4"

12-24 x 1-3/4" MS or #12 x 2-1/2"

INSERT "CPSH" ONLY

**3B** MOUNT FOOT BRACKET TO DOOR STOP.

CPSH SHOWN  
CPS SIMILAR

USE SPACER WHEN REQUIRED

**IMPORTANT: USE A MINIMUM OF 7 SCREWS.**

**3C** ALTERNATE: PREASSEMBLE ARMS PRIOR TO ATTACHING TO STOP.

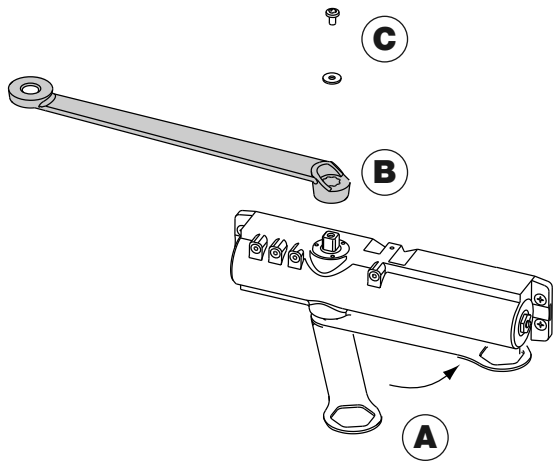
**2** ATTACH DOOR CLOSER TO DOOR WITH SPRING POWER NUT TOWARDS HINGE.

SPRING POWER NUT

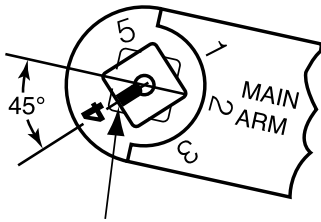
ASSA ABLOY, the global leader in door opening solutions

Copyright © 2009, 2010, Sargent Manufacturing Company, an ASSA ABLOY Group company. All rights reserved. Reproduction in whole or in part without the express written permission of Sargent Manufacturing Company is prohibited.

- 4** \* A. ROTATE BOTTOM SPINDLE WITH WRENCH  
 B. ASSEMBLE MAIN ARM WITH INDEX MARK POSITIONED AS SHOWN.  
 C. SECURE WITH SCREW AND WASHER.

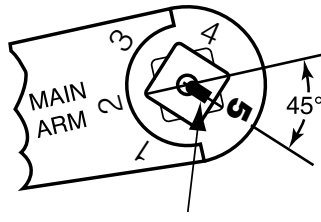


LEFT HAND DOOR



INDEX MARK ON SPINDLE

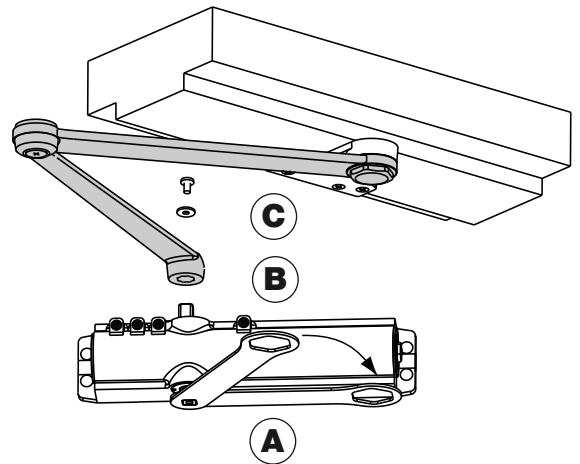
RIGHT HAND DOOR



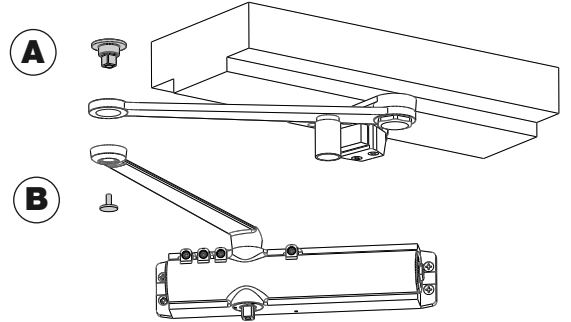
INDEX MARK ON SPINDLE

**!!** \* WARNING: IF NOT PROPERLY INDEXED, DOOR CLOSER WILL NOT FUNCTION PROPERLY. **!!**

**4A** ALTERNATE METHOD

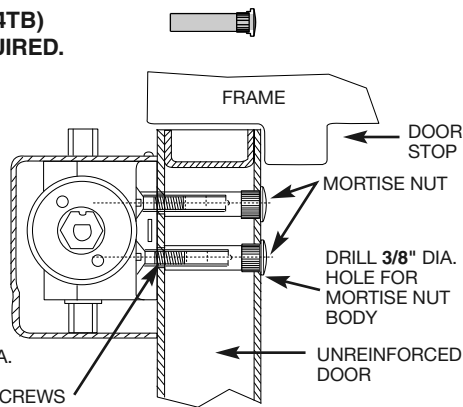


- 5** A. OPEN DOOR AND INSTALL PIVOT AS SHOWN  
 B. USE SCREW TO SECURE PIVOT AS SHOWN



**ACCESSORIES**

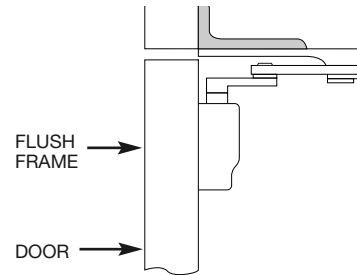
OPTIONAL: USE MORTISE NUTS (#4TB) WHEN THROUGH-BOLTING IS REQUIRED.



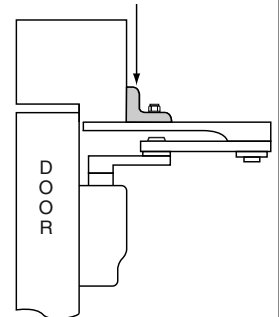
SEE PAGE 1 FOR TEMPLATING DIMENSIONS

DRILL 1/4" DIA. HOLE FOR MOUNTING SCREWS

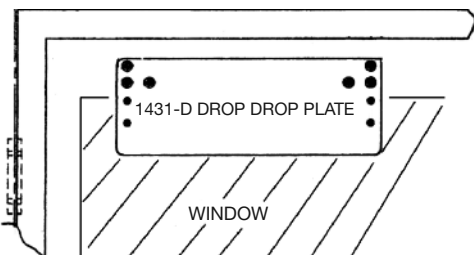
**125 VF BRACKET FOR FLUSH FRAME AND DOOR CONDITION.**



**125 V BRACKET FOR NARROW FRAME CONDITION.**



**1431 DROP PLATE USED WITH NARROW TOP RAILS.**



## FINAL ADJUSTMENT AND REGULATING PROCEDURES

### 6 MINIMUM RECOMMENDED DOOR CLOSING TIME IS 6 SECONDS FOR DOORS OPENED TO 90°.

USE 1/8" HEX (ALLEN) WRENCH TO ADJUST VALVES AS NEEDED.

#### CLOSING AND LATCHING SPEEDS:

TURN VALVES CLOCKWISE TO SLOW DOWN OR COUNTERCLOCKWISE TO SPEED UP DOOR MOVEMENT.

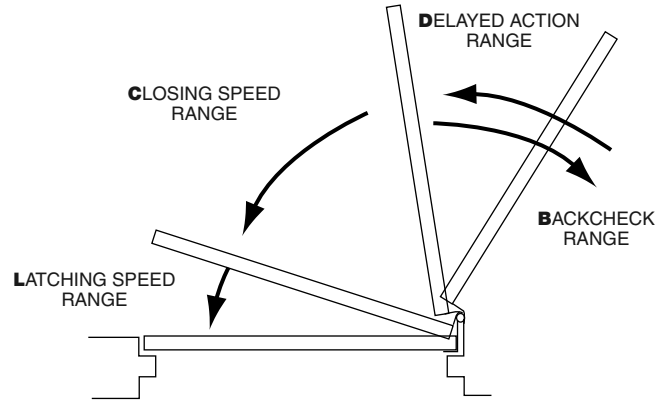
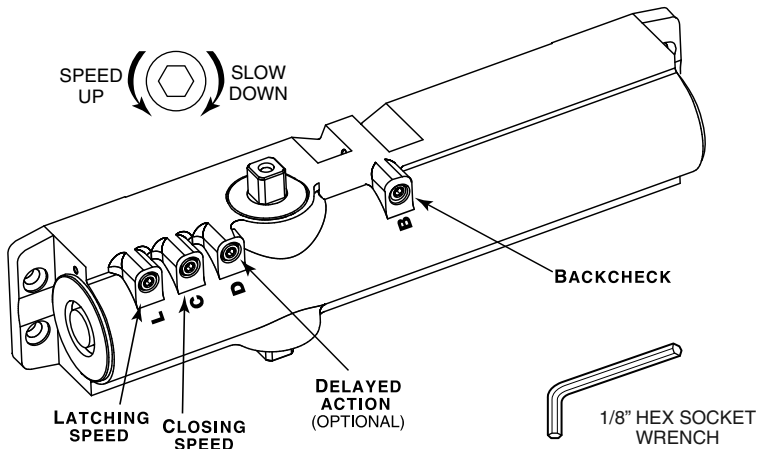
#### BACKCHECK:

TO REGULATE THE INTENSITY OF BACKCHECK ACTION TURN VALVE CLOCKWISE TO INCREASE OR COUNTERCLOCKWISE TO DECREASE CHECKING.

**CAUTION: SET VALVE FOR SLIGHT CUSHIONING EFFECT; CLOSER CAN BE DAMAGED IF THE CHECKING ACTION IS TOO ABRUPT. NEVER USE THE BACKCHECK AS A DOOR STOP. ALWAYS USE A DOOR STOP TO STOP THE DOOR.**

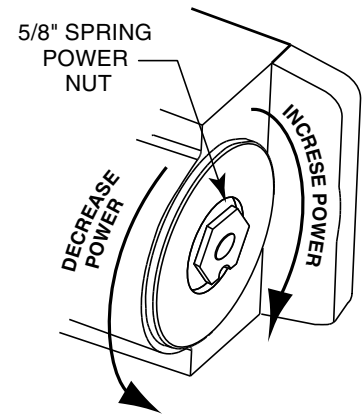
#### DELAYED ACTION FEATURE (OPTIONAL FEATURE ON SOME MODELS):

"DELAYED ACTION" PROVIDES SLOW DOOR CLOSING THROUGH THE DELAYED ACTION RANGE. TURN VALVE CLOCKWISE TO SLOW DOWN OR COUNTERCLOCKWISE TO SPEED UP DOOR MOVEMENT.



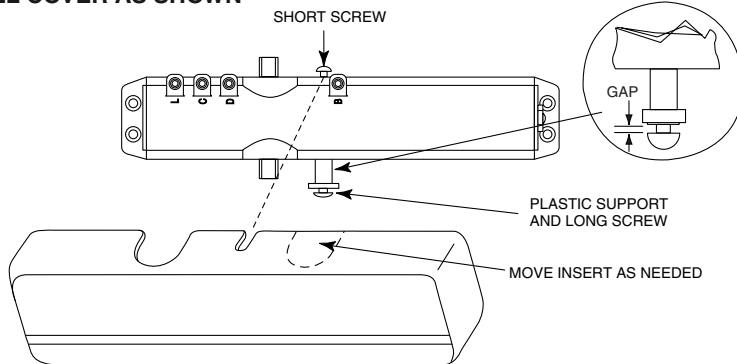
### 7 ADJUST POWER TO ALLOW DOOR TO CLOSE AND LATCH.

SPRING POWER ADJUSTMENT GUIDELINES	
DOOR WIDTH (INCHES)	♿ 1431 DOOR CLOSER
24-30	TURN nut 1-3 ↶
30-36	FACTORY SET
36-42	TURN nut 1-3 ↷
42-48	TURN nut 7-9 ↷



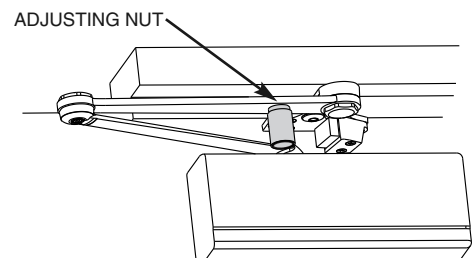
ADJUSTING DOOR TO CLOSE DUE TO HIGH DRAFT CONDITIONS MAY EXCEED ADA STANDARDS. CONSULT LOCAL ORDINANCES WHEN FIRE DOORS ARE INVOLVED.

### 8 INSTALL COVER AS SHOWN



### 9 TO ADJUST HOLDER ARM (CPSH ONLY)

ALL CPSH ARMS ARE SHIPPED IN NON-HOLD OPEN FROM THE FACTORY. TO SET IN HOLD OPEN, TURN THE ADJUSTING NUT APPROXIMATELY 1-1/2 TURNS CLOCKWISE.



**SARGENT**

**ASSA ABLOY**

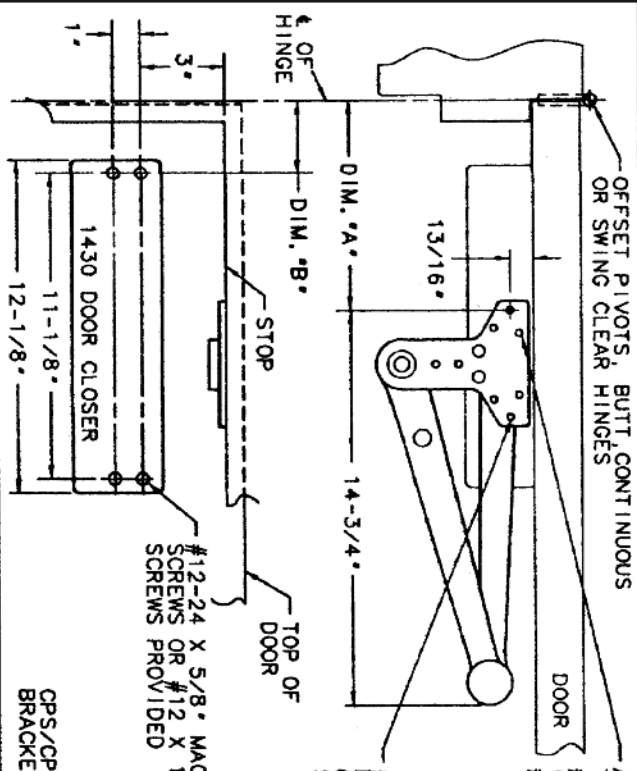
ASSA ABLOY, the global leader in door opening solutions

Copyright © 2009, 2010, Sargent Manufacturing Company, an ASSA ABLOY Group company. All rights reserved. Reproduction in whole or in part without the express written permission of Sargent Manufacturing Company is prohibited.

A7159F

**3**

DEGREE OF DOOR OPENING AT HOLD OPEN				
85°	90°	95°	100°	105°
DIM. 'A'	9-11/16"	9-1/16"	8-5/16"	7-11/16"
DIM. 'B'	4-3/8"	3-3/4"	3"	2-3/8"
				1-7/8"



NOTES:

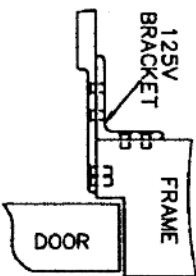
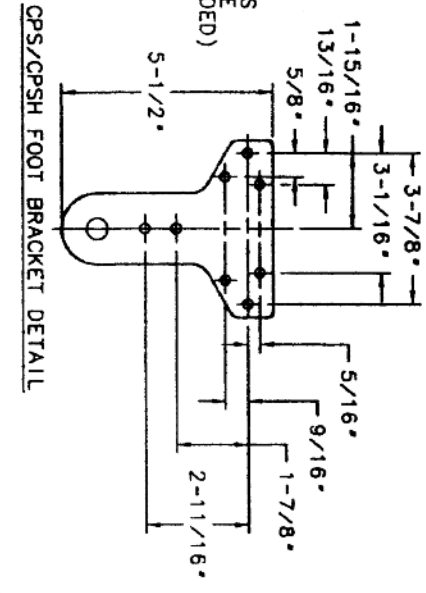
1. REINFORCE METAL DOORS AND FRAMES PER ANSI A250.8 AND SDI-100 STANDARDS, 1/2 GAUGE RECOMMENDED.
2. FOR THIN RAIL DOORS, USE 1430-D DROP PLATE, SEE DATA SHEET A7168.
3. 1430-U COVER PLATE MAY BE USED WHEN CLOSER IS VISIBLE THROUGH GLASS. DO NOT USE THESE MOUNTINGS FOR SWING CLEAR HINGES.
4. LEFT HAND DOOR SHOWN, RIGHT HAND OPPOSITE.
5. DIMENSIONS 'A' & 'B' ARE BASED ON A 4-1/2" BUTT HINGE. IF A 3-1/2" OR 6" BUTT HINGE IS USED, THE HOLD OPEN ANGLE WILL CHANGE BY LESS THAN 1/2°.
6. DEAD STOP OCCURS APPROX. 3" BEYOND "HOLD OPEN".
7. IF DOOR CLOSER INTERFERES WITH LIGHT KIT, USE 1430-B PLATE. SEE DATA SHEET A7169 FOR PLATE DIMENSIONS ONLY.
8. WHEN SOFFIT IS LESS THAN 3" USE A 125V BRACKET.

ATTACH BUMPER USING TWO #12-24 X 1-3/4 & ONE #12-24 X 1" MACHINE SCREWS (OR TWO #12 X 2-1/2" & ONE #12 X 1-3/4" SCREWS PROVIDED)

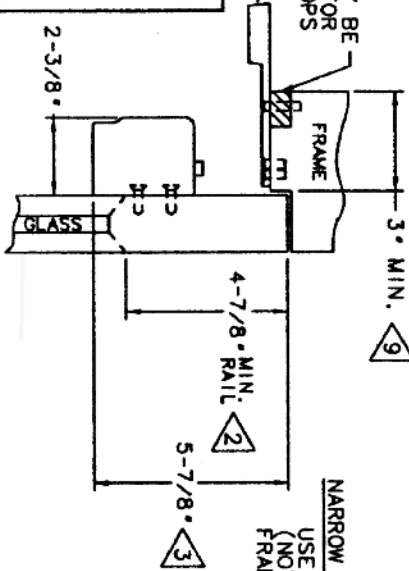
#12-24 X 5/8" FLAT HEAD MACHINE SCREWS OR #12 X 1-3/4" SCREWS PROVIDED

SPACER MAY BE REQUIRED FOR NARROW STOPS

CPS/CPH FOOT BRACKET



NARROW FRAME INSTALLATION  
USE 125V BRACKET (NOT SHOWN) FOR FLUSH FRAME CONDITIONS.



**SARGENT Manufacturing Company**  
100 Sargent Drive New Haven, CT 06511

DATA SHEET: 1431 SERIES DOOR CLOSER WITH CPS OR CPH HEAVY DUTY PARALLEL ARM

EFFECTIVE DATE: AUG. 02

TOPIC # A7374 B