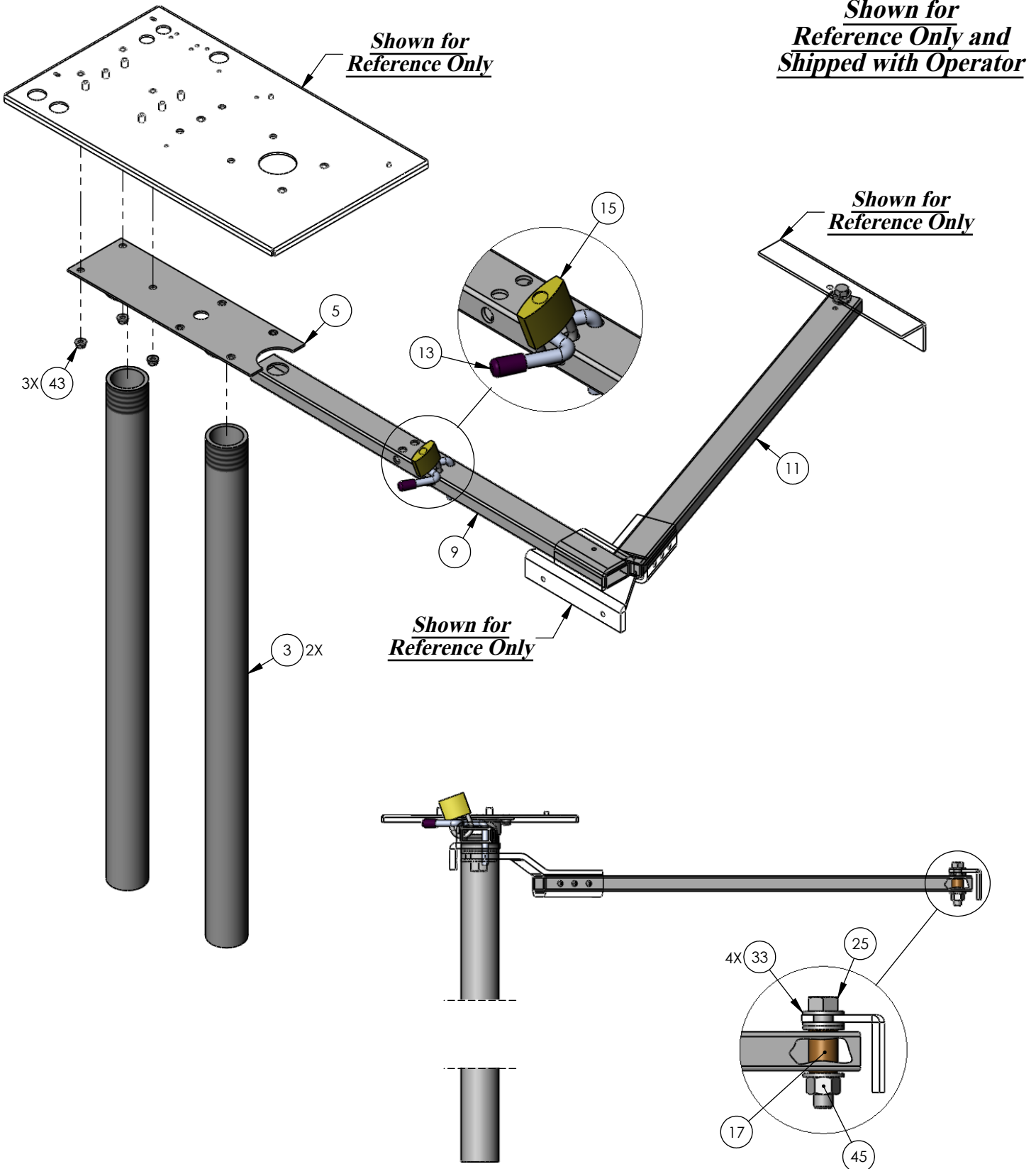



REVISIONS

REV	DESCRIPTION	DATE	APPR
D	Added Item 1 (IPB) & 50; Deleted: 2620-030, 2615-128, 2615-055, 1514-020.	Scal 10/23/08	D.C. 10/23/08



1. See attached reference sheet for BOM Reference Movex 2600-674 Rev D.

Notes: Unless Otherwise Specified

<b>PROPRIETARY AND CONFIDENTIAL</b>		NAME	DATE	 <b>IPB-Post Mount, 2600-674</b> <b>6050/6100 Swing Gate Operator</b> SIZE <b>A</b> DWG <b>6100-874</b> REV <b>D</b>
THE INFORMATION CONTAINED IN THIS DRAWING IS THE SOLE PROPERTY OF Door King. ANY REPRODUCTION IN PART OR AS A WHOLE WITHOUT THE WRITTEN PERMISSION OF Door King IS PROHIBITED.		DRAWN	Scal 10/23/08	
		CHECKED		
		COMMENTS:		
		SCALE: 1:24		SHEET 1 of 2

Item	Part Number	Qty	UM	Description	REV
1	6100-874	1	EA	IPB-Post Mount 6050/6100 Swing Gate Operator	D
3	2600-260	2	EA	Pipe Legs 6100 2.5" OD x 36"	
5	2600-635	1	EA	Mounting Plate 6100/6050 Batt Bk	
9	2600-716	1	EA	Crank Arm Model 610/6050 Blk	
11	2600-714	1	EA	Connecting Rod 1" x 2" x 60"	
13	2600-179	1	EA	Release Handle 6050,6100,6300	
15	2600-767	1	EA	Lock Padlock Brass B745C	
17	2600-054	1	EA	Spacer 3/4OD x 1/2ID x1 1/8L	
25	2615-084	1	EA	Bolt Hex Head 1/2-13 x 2 1/2	
33	2620-021	4	EA	Washer 1/2 SAE	
43	2620-411	3	EA	Nut Hex Flange Lock 5/16-18	
45	2620-320	1	EA	Nut Center Lock 1/2-13	
50	6100-067	1	EA	Manual	