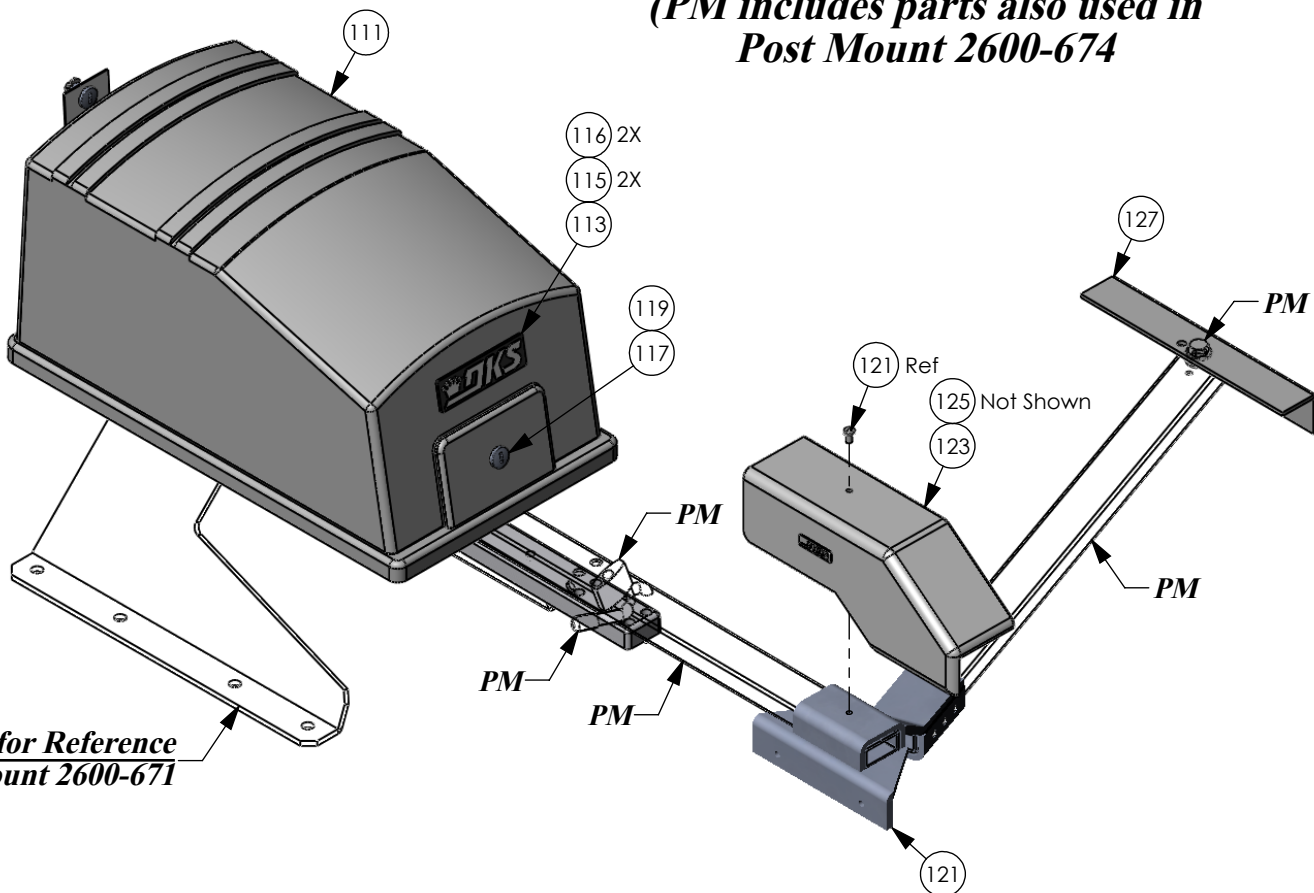
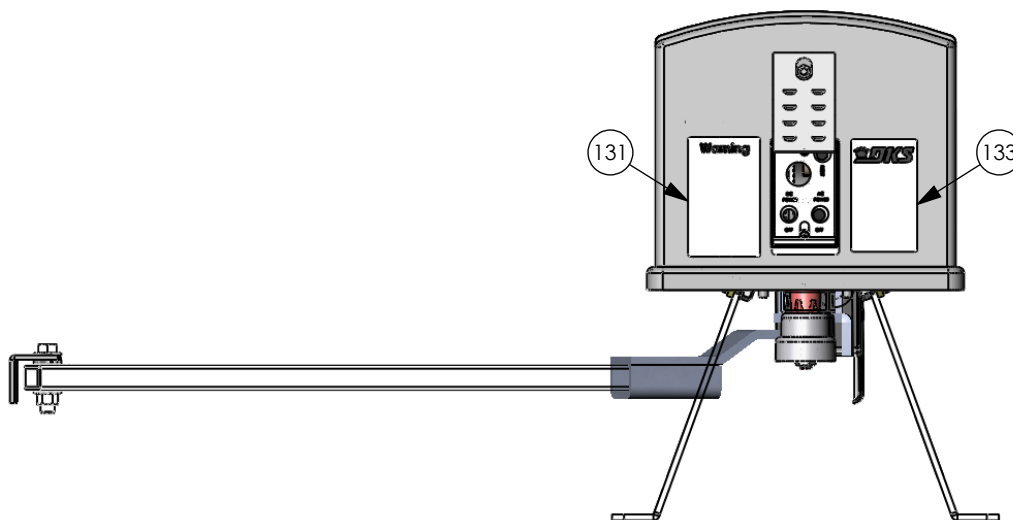


EO	REV	DESCRIPTION	Drawn	APPR
---	K	Revised P/Ns Items 151, 153, 180 Was: 2616-016, 2904-002, 2902-007; Deleted Item 154 Was: 2616-051.	Sal 09/25/08	D.C. 09/25/08

***Shown for Reference in Outline Form***  
***Pad Mount 2600-671***  
***Callout=PM***  
***(PM includes parts also used in***  
***Post Mount 2600-674***




***Shown for Reference***  
***Pad Mount 2600-671***



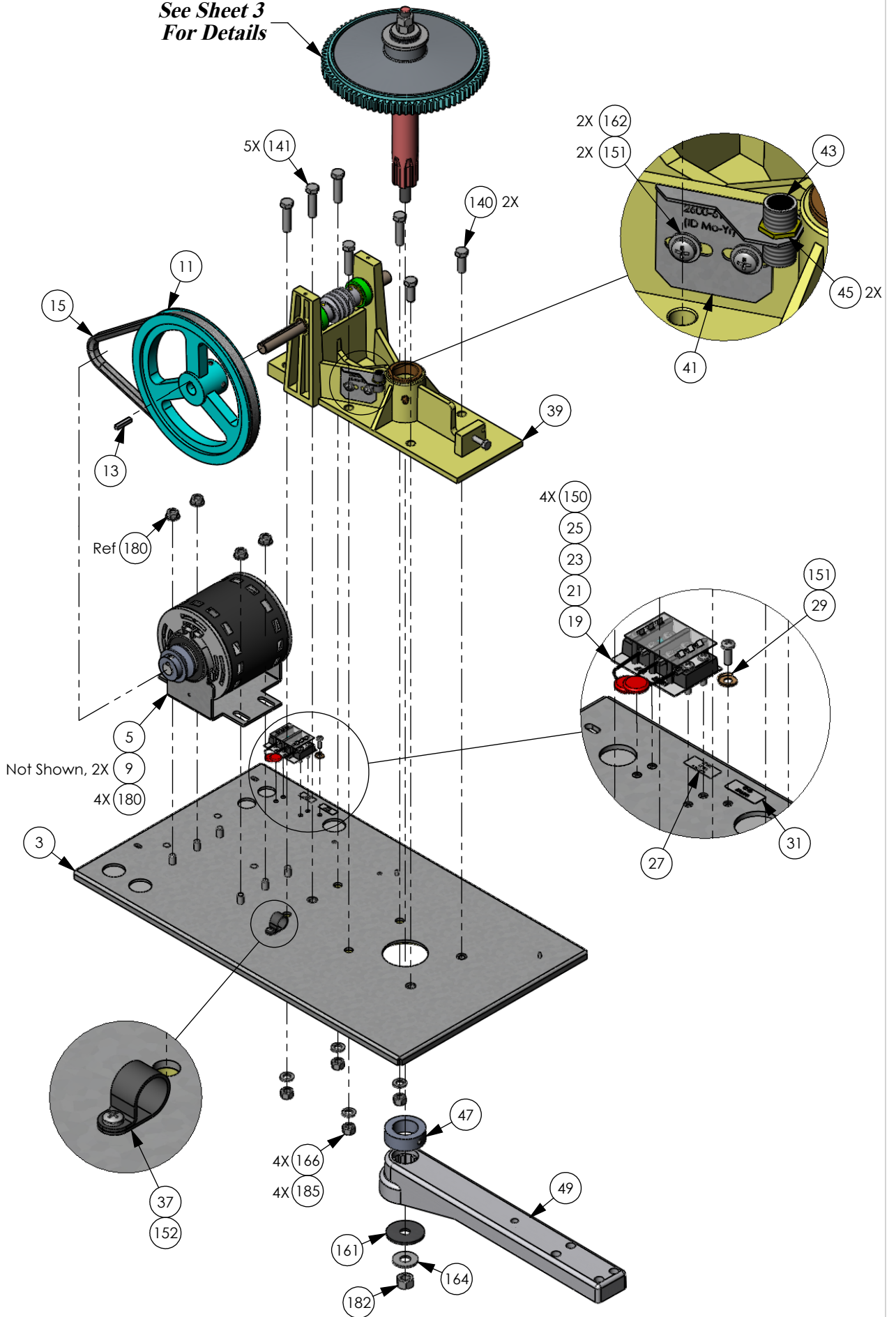
2. Items 200-210 Not Shown for Clarity.

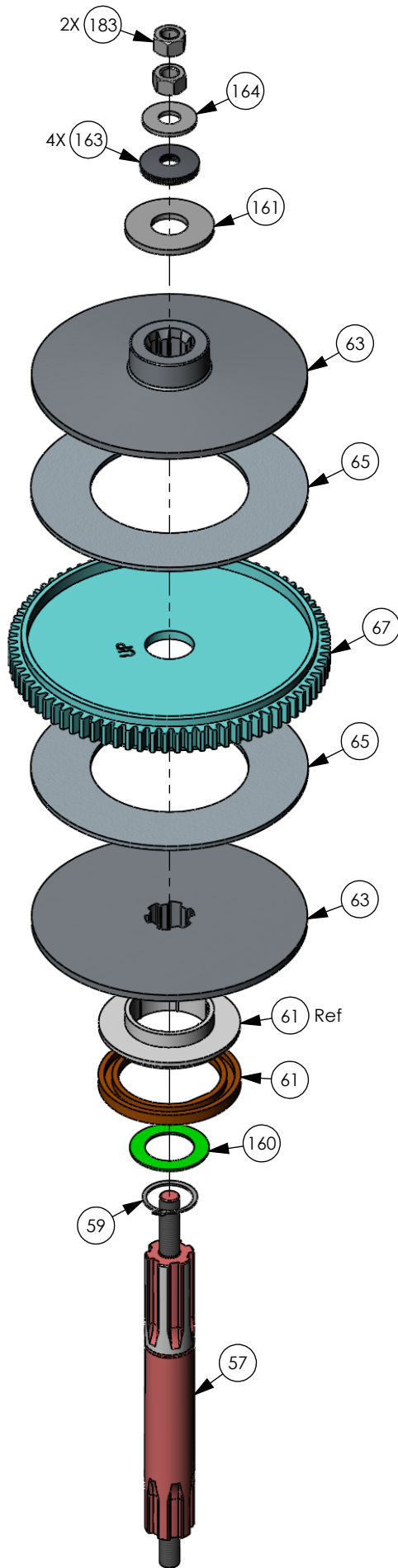
1. See attached reference sheet for BOM;  
Reference Movex 6050-080 Rev K.

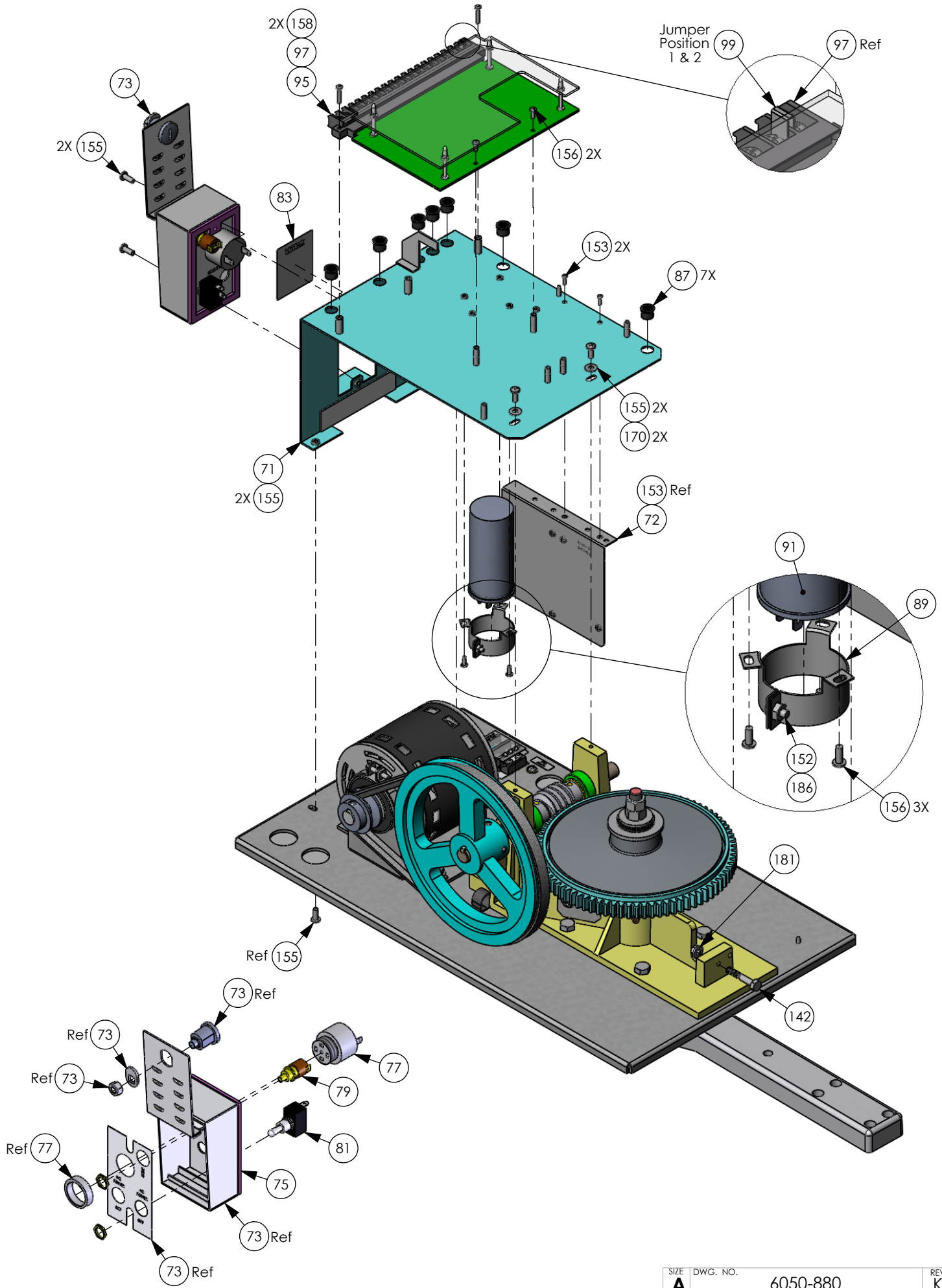
Notes: Unless Otherwise Specified.

<b>PROPRIETARY AND CONFIDENTIAL</b> THE INFORMATION CONTAINED IN THIS DRAWING IS THE SOLE PROPERTY OF Door King. ANY REPRODUCTION IN PART OR AS A WHOLE WITHOUT THE WRITTEN PERMISSION OF Door King IS PROHIBITED.	NAME	DATE	 <b>IPB-Model 6050-080,</b> <b>1/3 HP, Primary</b>	REV	
	DRAWN	Sal		08/12/08	K
	CHECKED				
	COMMENTS:				
	SIZE	DWG. NO.			
	<b>A</b>	6050-880			
	Scale: None			SHEET 1 OF 6	

See Sheet 3  
For Details







Item	Part Number	Qty	UM	Description	Rev
1	6050-880	1	EA	IPB-1/3 HP, Primary	K
3	2600-643	1	EA	Baseplate 605/610 No Batt Back	
5	2600-126	1	EA	Motor Assembly 1/2 HPI	
9	1215-018	2	EA	Wire Nut #71B	
11	2600-567	1	EA	Pulley 7" Cast Iron AC70X5/8	
13	1601-019	1	EA	Keyway 3/16 x 3/16 x 1	
15	2600-086	1	EA	Belt - 28"	
19	2600-410	1	EA	Marker Strip Silkscn Both Side	
21	2600-414	1	EA	Terminal Block-2 Position	
23	3129-002	1	EA	Terminal Block Cover 2 Position	
25	4001-093	1	EA	MOV Assembly 130VAC	
27	2599-014	1	EA	Decal Copper Wire Only	
29	2600-439	1	EA	Washer Cup - Brass	
31	2599-006	1	EA	Decal SUPPLY GND	
37	2600-619	1	EA	Wire Clip-5/8" Concord 770-1209	
39	6100-040	1	EA	Housing Assembly 6100	
41	2600-613	1	EA	Bracket Magnetic Ctr Potted	
43	3004-010	1	EA	Magnetic Counter Threaded	
45	3004-051	2	EA	Nut Panel 1/4-18	
47	2600-061	1	EA	Collar 2 OD x 1 1/4 ID x 5/8 L	
49	2600-779	1	EA	Swing Crank Arm Extended	
57	2600-675	1	EA	Shaft Assembly 605/610	
59	2630-010	1	EA	Snap Ring 1.25"	
61	2600-360	1	EA	Counter Wheel Mag Assembly	
63	2600-680	2	EA	Clutch Plate 7"	
65	2801-002	2	EA	Clutch Pad 7" OD605/610,6100	
67	2600-323	1	EA	Worm Gear 80 Tooth Delrin	
71	2600-668	1	EA	Bracket 605/610 PCB Support	
72	2600-638	1	EA	Bracket Radio 610 Battery Bkup	
73	2600-533	1	EA	Switch Cover Doorking Lockable	
75	2600-731	1	EA	Gasket Switch Cover	
77	1506-071	1	EA	Tone Generator Loud	
79	1812-005	1	EA	Switch Push Button N.O.	
81	1601-041	1	EA	Switch Toggle SPST 2POS	
83	2599-008	1	EA	Label Patent	
87	2600-820	7	EA	Bushing 1/2	
89	2600-239	1	EA	Capacitor Clamp VR6B	
91	2600-234	1	EA	Capacitor 30uf 370VAC	
95	4502-010	1	EA	PCB Gate Operator	
97	4001-020	1	EA	Terminal 20 Pin	
99	2600-830	1	EA	Jumper- Ring Tongue	
111	2600-721	1	EA	Cover-Model 6050/6100	
113	2600-732	1	EA	Nameplate Plastic DKS	
115	2802-040	2	EA	Washer Push on Clamp	
116	1897-052	2	EA	Gasket, Microphone Support	
117	1702-507	1	EA	Cam "J" Hook	

119	4001-035	1	EA	Lock N16058BDxSFx2K Key 16120
121	2600-720	1	EA	Crank Arm Joint Assembly Blk
123	2600-630	1	EA	Joint Cover Swinger Left
125	2600-631	1	EA	Joint Cover Swinger Right
127	2600-711	1	EA	Bracket 3/16 x 2 x 12
131	2599-034	1	EA	Label Gate Operator
133	2599-199	1	EA	Label Universal
140	2615-052	2	EA	Bolt Hex Head 3/8-16 x 1
141	2615-055	5	EA	Bolt Hex Head 3/8-16 x 1 1/2
142	2615-008	1	EA	Bolt Hex Head 1/4-20 x 1 1/2
150	2616-019	4	EA	Screw Phillips Head 8-32 x 3/4
151	2616-018	3	EA	Screw Phillips Head 8-32 x 1/2
152	2616-017	2	EA	Screw Phillips Head 8-32 x 3/8
153	2616-001	2	EA	Screw Phillips Head 6-32 x 3/8
155	2616-052	6	EA	Screw Phillips Head 10-32 x1/2
156	2616-001	5	EA	Screw Phillips Head 6-32 x 3/8
158	2616-003	2	EA	Screw Phillips Head 6-32 x 3/4
160	2620-220	1	EA	Washer 1.25 x 2 x .0625
161	2620-131	2	EA	Washer 1 7/8 OD x 1/2 ID 1/8 T
162	2802-003	2	EA	Washer #8 SAE
163	2600-183	4	EA	Washer Bellville 1.5 OD x .5 ID
164	2620-021	2	EA	Washer 1/2 SAE
166	2620-019	4	EA	Washer 3/8 SAE
170	2620-010	2	EA	Washer #10 SAE
180	2620-411	4	EA	Nut Hex Flange Lock 5/16-18
181	2620-409	1	EA	Nut Hex Flange Lock 1/4-20
182	2620-320	1	EA	Nut Center Lock 1/2-13
183	2620-420	2	EA	Nut Hex 1/2-13
185	2620-405	4	EA	Nut Hex 3/8-16
186	2620-401	1	EA	Nut Hex 8-32
200	1804-031	10	EA	Tie Wrap 4"
201	2600-698	1	EA	Wire Set Model 6050,6100,6300
205	7082-137	1	EA	Wire 5" Green Stranded 14AWG
209	2599-100	2	EA	Sign Warning
210	6100-065	1	EA	Manual Installation