



**Norton®**

**ASSA ABLOY**

Experience a safer  
and more open world

Simple and cost effective solution  
for moderate traffic applications

**5500**  
**S E R I E S**

LOW ENERGY OPERATOR

CATALOG

## INTRODUCTION

A reliable ADA solution comprising Norton's heavy-duty 1601 door closer. The use of a hydraulic closer ensures quiet and consistently smooth operation, ideal in applications where doors are typically operated manually but can also be activated via wall switches for automatic operation. The 5500 offers basic automated door functions and is designed for quick set-up, making it easy to specify and install.



## FEATURES

- » Non-handed
- » Push or pull side mounting
- » Maximum Door Weight: 250 lbs
- » Obstruction Detection
- » Backcheck standard
- » Use with Actuation Devices:
  - › Push Buttons
  - › Wave-to-Open Switches
  - › Radio frequency device
- » Integration with Access Control Systems
- » 2 year limited warranty

## BENEFITS

- » Low cost automatic door operator
- » Compliant solution for stringent ADA requirements
- » Pair with wave-to-open switches for touchless operation
- » New smaller footprint for minimal aesthetics and tighter spaces
- » Comprises hydraulic closer to ensure quiet function and smooth operation when opened manually
- » One of the only fire rated, hydraulic operators available
- » Easy, one-person installation with parts packaged pre-installed on backplate

## PATENT

- » 5,881,497, 7,316,096 and 7,484,333

## TABLE OF CONTENTS

Introduction, Features, Benefits, Patents . . . . .	2
Functions, Electrical Data, Certifications, Specifications. . . . .	3
Applications . . . . .	4-5
Parts List . . . . .	6
Arm and Track Assemblies . . . . .	7
Accessories and Kits . . . . .	7-11
How To Order . . . . .	12

## FUNCTIONS

- » Adjustable Hold Open
  - › Amount of time a door will stay in the full open position after an activation
- » Obstruction Detection
  - › Motor stops if door is obstructed during opening; door closes
- » On/Off Switch
  - › Disables operator activation
- » Open Delay
  - › Delays operator opening for locking hardware
- » Overload Safety Shut-Off
  - › After 2 minutes of receiving a door activation signal, inverter times out and door closes
  - › Prevents motor/inverter damage

## SPECIFICATIONS

Door Controls\_\_\_\_ (interior) (exterior) swinging door(s) shall be of rack and pinion design contained within a precision cast aluminum housing. Door closing force shall be adjustable to ensure adequate closing control. Door closing speed shall be controlled by independent hydraulic adjustment valves in the sweep and latch range of the closing cycle. Door Operator shall provide conventional door closer opening forces unless the power operator motor is activated. Door Operator shall provide conventional door closing forces at all times except in the event of power outage during powered door open cycle. Door Operator opening force and speed shall be adjustable by independent electronic adjustment to ensure adequate opening control per accessibility codes. Door Operator shall have an adjustable hydraulic backcheck valve to cushion the door speed if door is opened violently. Door Operator shall have a manual adjustment to locate both full open and full closed door positions. Maximum door open shall be adjustable and capable to a maximum 180° conditions permitting. [(Door Operator shall be AUTOMATICALLY ACTIVATED, i.e., motion sensor.) (Door Operator shall be SELECTIVELY ACTIVATED by external initiating device, i.e., wall switch, etc.) (Door Operator shall be both AUTOMATICALLY ACTIVATED and SELECTIVELY ACTIVATED.)] Door operator shall have adjustable hold open time capability in range from 5 to 30 seconds. Door operator shall have input line rating of 120VAC, .6A or 240VAC, .3A. Units shall have relay contact for interfacing products having a contact rating of 30VDC at 1A or 125VAC at .5A. Unit shall have an external On/Off Switch to defeat powered opening when desired. Unit shall have an internal circuit breaker switch to interrupt input power for servicing. Unit shall be U.L. Listed for automatic closing door. Unit shall be in compliance with the requirements of the Americans With Disabilities Act (ADA), ANSI standards A117.1 and A156.19. Unit shall meet C-UL US.



## ADDITIONAL DETAILED SPECIFICATIONS:

When activated, the unit shall, by means of an integral motor and chain drive, power open the door at both a speed and force that are adjustable to meet accessibility codes. The door shall be powered from a door closed position to a full door open position and remain in momentary hold open for \_\_\_\_seconds (adjustable 0 to 30 seconds) [(Unit shall power open door to full open position up to 180° (5511); 170° (5531), conditions permitting.) (Unit shall be capable of allowing the door to be opened manually from 0 to 180°, conditions permitting.)] Once unit reaches full hold open position, if reinitiated, unit's momentary hold open time shall restart from the initially set hold open time. If unit is initiated during the closing cycle, unit shall revert to opening cycle beginning at that door position. Obstruction detection on open shall neutralize and reverse motor action reverting motor to closed position thus allowing door to close under closer spring force only. This obstruction detection feature shall be integral to unit. During closing cycle, the unit shall close door under spring power not to exceed a closing force of 15 lbf.

## ELECTRICAL DATA

- » Power input; 120 VAC, 60Hz
- » Relay output: SPDT
  - › Normally open/normally closed (jumper)
  - › For electric strike function

## CERTIFICATIONS

- » ANSI/BHMA A156.19 certified 
- » Meets ANSI/BHMA A156.4 requirements
- » UL / cUL listed for use on fire rated doors 
- » UL10C listed for positive pressure fire test
- » Manufactured in an ISO 9001 and ISO 14001 certified facility
- » Complies with requirements for the Americans with Disabilities Act (A.D.A)
- » UL certified environmental product declaration

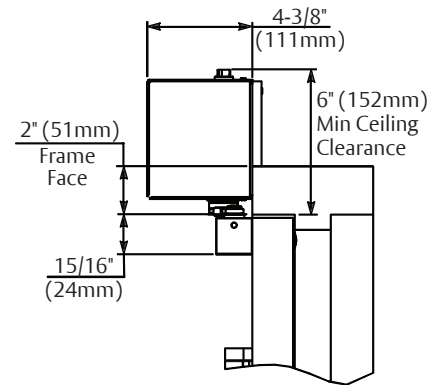
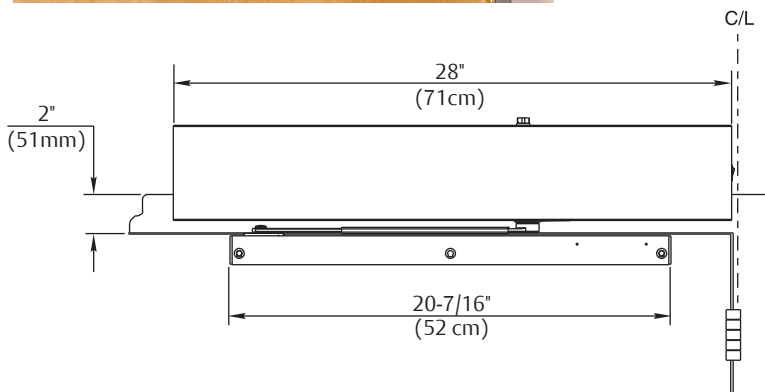
#### APPLICATIONS



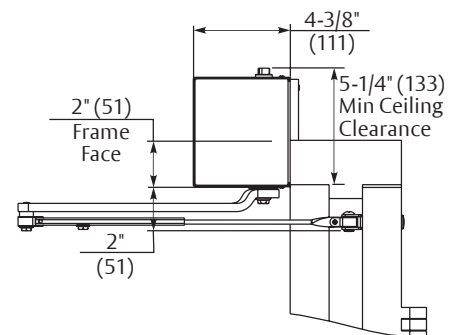
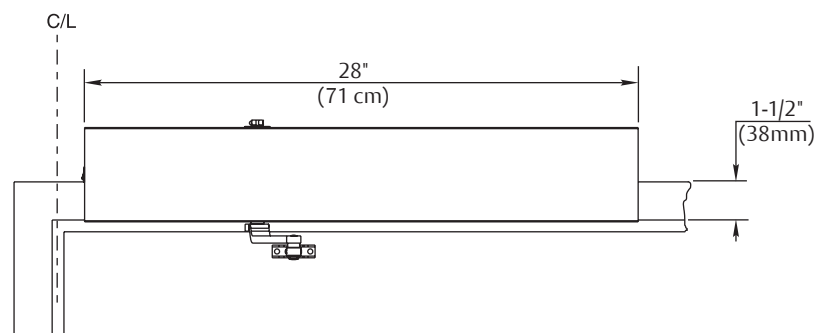
- 5511  
HINGE (PULL) SIDE OF DOOR**
- » Adjustable Stop
  - » 110° swing (trim permitting)

Minimum Door width  
Single Door – 29" (74cm)  
Pair of Doors – 30" (76cm)

An auxiliary stop is suggested where severe conditions exist.

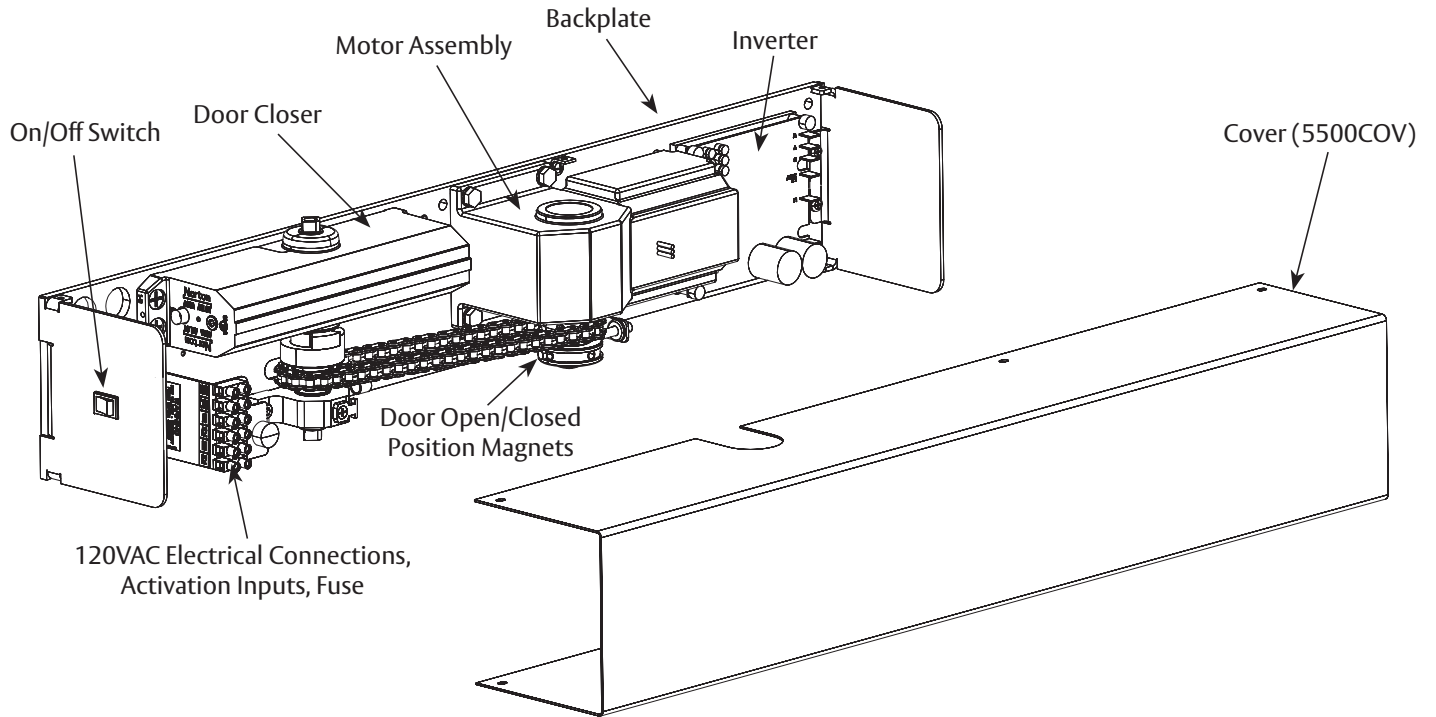


- 5531  
STOP (PUSH) SIDE OF DOOR**
- Standard Duty Double Lever Arm
- » Frame reveals 2-5/8" to 6-3/4" (67-171mm)
  - » An auxiliary door stop is required for these applications.
  - » 170° swing (trim permitting)



# 5500 SERIES LOW ENERGY OPERATOR

## PARTS LIST



## Optional

Model	Description
5500PWR	Power Supply

### ARM AND TRACK ASSEMBLIES



7110-1A - Arm Assembly  
7100-1T - Track Assembly



7701-1A - Arm Assembly  
7701-1W - Main Arm & Rod  
7701-11A - Adjusting Tube & Shoe

### ACCESSORIES



501 502



671

#### Activating Door Switches

- » 4-1/2" W. x 4-1/2" H.
- » 15 amp @ 125 VAC
- » Flush mounted
- » Fits single or 2 gang electrical box

Model	Description	Hard wired	RF (433MHz)
501	Press to Operate Door	✓	
502	Press to Open x logo	✓	
671	Press to Open x alternative logo	✓	
672	Press to Open x alternative logo		✓
542	4-1/2" surface mount box		



505 532



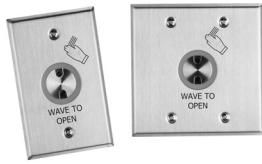
506 534

- » 6" W. x 6" H.
- » 9 volt battery
- » 15 amp @ 125 VAC
- » Flush mounted
- » Stainless steel with blue letters

Model	Description	Hard wired	RF (433MHz)
505	Square button: Push to Open x Logo	✓	
506	Round button: Push to Open x Logo	✓	
507	Square button: Push to Open	✓	
531	Square button: Push to Open x Logo		✓
532	Square button: Push to Open		✓
533	Round button: Push to Open x Logo		✓
534	Round button: Push to Open	✓	
535	Round button: Push to Open		✓
555	6" square surface mount box		
557	6" round surface mount box		

505, 506, 507 and 534 switches may also be installed with single or double gang electrical box using fasteners included

**ACCESSORIES**



**700**

**Wave-to-Open Wall Switch**

- » Single gang and double gang packaged together
- » Sensor requires movement for activation
- » Variable relay – hold time from 0 – 35 seconds
- » Range 0" to 4"
- » Dimensions:  
3" W x 4-3/4" H (single);  
4-1/2" W x 4-1/2" H (double)



**638**

**Low Profile Push Plate**

- » 36" x 6" activation zone
- » 1" low profile depth
- » Stainless steel face plate
- » Adapts to either wireless or hard wired installations
- » 638 - Wireless
- » 639 - Hard wired



**503**

**Vestibule Switches**

- » 1-1/2" x 4-3/4" face plate
- » SPDT UL listed switch-mom.
- » 15 amp @ 125 VAC
- » Fits 1-3/4" frame
- » Stainless steel with blue letters



**504**

- » 5" W. x 4-3/4" H.
- » 2 – SPDT UL listed switches-mom.
- » 15 amp @ 125 VAC
- » Fits 2-gang electrical box
- » Stainless steel with blue letters

Note:

- » All hard wired switches are Momentary Contact SPDT, UL Listed.
- » Optional DPDT switches are available; suffix "D" to model number.

## ACCESSORIES



663\*

### Motion Sensor

- » 4-3/4" x 3-3/16" x 2" projection
- » Unidirectional
- » Black cover
- » SPDT relay
- » Adjustable angle pattern
- » 24 VDC input
- » Must not be placed where motion of door can be sensed



500

### Switch Post

- » 4" x 6" x 40" x 3/16" wall thickness
- » 9 volt battery
- » RF temperature range: -4° F to 122° F
- » 689 (aluminum) or 690 (dark bronze) finishes; specify when ordering
- » Standard formed plastic cap
- » Surface mounted (above ground)
- » 530 – radio frequency transmitter
- » 500 – hard wired switch
- » 530POST – post only; switch not included

\* Use of motion sensor must be approved by local authority having jurisdiction.

**ACCESSORIES**



539

**Radio Frequency Receiver**

- » 433 MHz



5900EXPG

**Executive Package**

(includes 539 receiver and 536 transmitter)

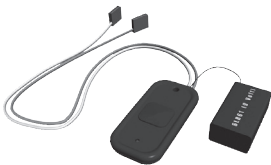


536

538

**Transmitters**

- » 2-3/8"w x 4-3/16"h x 15/16"d
- » 536: single channel
- » 538: two channel



548

- » Converts existing hard wired push plates to work with RF receivers offered after June 2013
- » Single channel
- » 9 volt battery included

### ACCESSORIES



565

#### Kits

Includes:

- » (2) ADA1019-2 wall switches
- » (2) 548 transmitters (with 9 volt batteries)
- » (1) 539 receiver



564

Includes:

- » (1) ADA1019-2 wall switch
- » (1) 548 transmitter (with 9 volt battery)
- » (1) 539 receiver

### OPERATIONAL SIGNAGE

679 Signage Kit (supplied standard)



(1 per switch)



(1 per switch)



(2 per operator)