

4430, 4431

Flush Locksets (Including Deadlock)



Aluminium

Hollow
MetalSliding
Door

The 4430, 4431 Flush Locksets for sliding doors combine the time-tested and field-proven Adams Rite MS1847 Deadlock with a slide button.

Function

Similar in function and nearly identical in size to the all-metal 4189, 4190 Flush Locksets, these economical units feature escutcheons molded of sturdy ABS resin. The black satin finish of the 4430, 4431 Flush Locksets lends elegance to aluminum doors. Not recommended for wood doors.

Operation

Locksets operated from inside by a simple up or down movement of a slide button, set flush in the deeply recessed finger pull. The lock mechanism (latching action unavailable) is the time-tested and field-proven Adams Rite MS1847 Deadlock and features the adjustable, self-protecting bolt.

- 4430 without cylinder
- 4431 has a flush mounted cylinder outside
- 4432 matching 'dummy set' is also available.



Features

Backset

Variable, minimum 5/8" [15.9 mm], maximum 1-9/32" [32.5 mm] from face of lock to escutcheon and cylinder centerline.

Stile Depth

Minimum clear depth:
Backset plus 9/16" [14.3 mm].

Escutcheons

Molded ABS resin plastic. Black Satin finish. Deeply recessed finger pull on both sides. Fits same cutout as metal 4189, 4190 Flush Locksets.

Anti Lift Lock Mechanism

Basic MS1848-09 (radius ends) or MS1848-10 (square ends) is supplied. Stainless steel bolt is self-protecting, adjustable for reach.

Operation

Inside: Vertical slide button projects or retracts deadlock bolt.

Outside: 4431 features a key in, five-pin cylinder with Schlage "C" keyway, projects or retracts bolt. Other cylinder makes not available.

Standard Package

4431, with cylinder, and 4430, without cylinder, are each complete packages. Shipped individually boxed with mounting screws. 4431 includes two keys. Standard 4431 units are keyed different (KD). Contact factory for special keying.

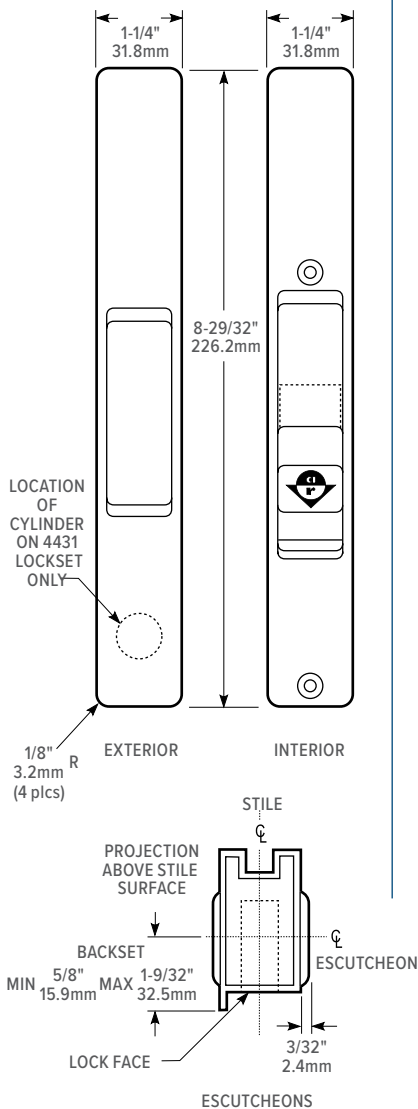
Shipping Weight

1-1/4 lbs [.57 kg].

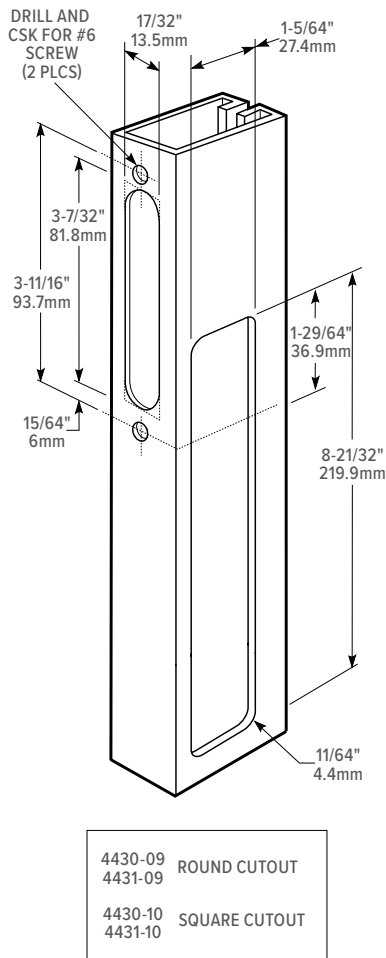
Options

- Specify 4431 if outside key-cylinder operation required; 4430 if not. Dummy set 4432 also available.
- Lock face is available as -09 for radius-ended lock face or -10 for square-ended lock face.
- 4413 Interior Pull available separately.

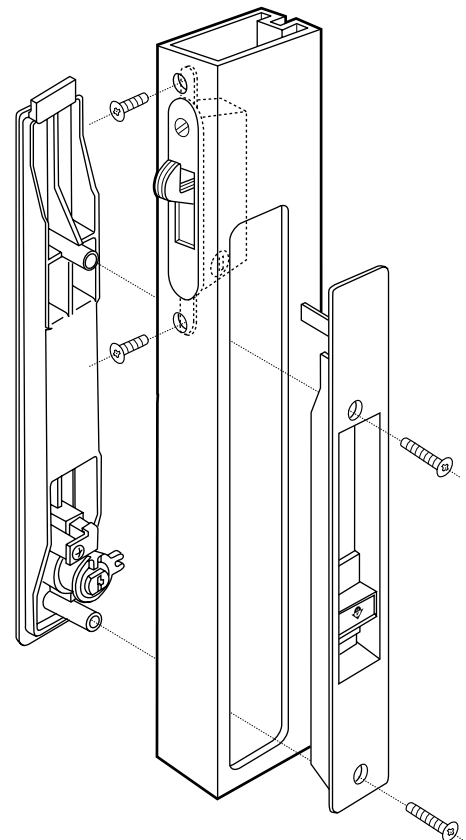
Dimensions



Stile Preparation



Installation



How to Order & Related Products

4430, 4431 Flush Locksets: Specify quantity and the following information. Order related products separately.

| MODEL | LOCKSET EXTERIOR | LOCK FACE | STILE THICKNESS | KEYING OPTIONS | PACKAGING |
|-------|---------------------|--------------------------------------|---------------------|-------------------------|-----------------------|
| 44 | 31 | - 09 | -05 | -01 | -IB |
| | 30 Without Cylinder | 00 Without Lock | 00 1" to 1-5/16" | 00 Without Cylinder | IB Individually Boxed |
| | 31 With Cylinder | 09 Radius 09S Radius Stainless Steel | 05 1-3/8" to 1-5/8" | 01 Keyed Different | |
| | 32 Dummy | 10 Square 10S Square Stainless Steel | 08 1-3/4" to 2" | 02 Keyed Alike in Pairs | |

RELATED When purchasing this product, please consider the following related products, available separately:

| ACCESSORIES | SPECIAL ORDER OPTIONS |
|--------------------|---|
| 4453 Interior Pull | Keyed alike 50 are available by special order in quantity of 50 locksets only. Please contact factory for ordering information. |

Experience a safer
and more open world

