

# 4410HSA Series



The 4410HSA SENTRONIC® is an electrically controlled closer/holder designed to provide easy passage for groups of pedestrians through high traffic doors. Pedestrians, moving through the doorway, trigger the built-in scanner. Double lever arm closer is specifically designed for push side mounting. Choice of finishes and accessories meet virtually all high traffic installation requirements.

## Features

<b>Certifications</b>	Grade 1 - ANSI 156.15, NFPA 101, UL 10C, 100 Hour Salt Spray, Meets BAA - Buy American Act	<b>Arms</b>	<ul style="list-style-type: none"> <li>Regular Arm</li> <li>Long Arm, optional</li> </ul>
<b>Body construction</b>	<ul style="list-style-type: none"> <li>Cast iron body</li> <li>Full complement bearing</li> <li>1 1/2" diameter piston</li> <li>1/16" diameter double heat treated pinion journal</li> </ul>	<b>Finishes/ colors/ powder coat</b>	<ul style="list-style-type: none"> <li>689 Aluminum paint</li> <li>690 Statuary Bronze paint</li> <li>691 Light Bronze paint</li> <li>693 Black paint</li> <li>695 Dark Bronze paint</li> <li>696 Brass paint</li> <li>Custom colors optional</li> <li>Optional SRI primer - powder coat only</li> <li>Optional plated finishes</li> </ul>
<b>Fluid</b>	All weather fluid	<b>Wiring</b>	<ul style="list-style-type: none"> <li>Concealed or surface wiring</li> <li>24V AC/DC input only</li> <li>120V AC input requires 4410HSA-3210 transformer</li> <li>HSA features a scanner activated hold open function, adjustable 15 or 30 seconds</li> <li>Built-in "On/Off" switch provides continuous hold open feature</li> </ul>
<b>Handing</b>	Handed		
<b>Size</b>	Field adjustable, shipped at size 3		
<b>Warranty</b>	2 years		
<b>Fasteners</b>	Wood and Machine Screws (WMS)		
<b>Mounting</b>	Top jamb (push side)		
<b>Cover</b>	Metal, Standard		

**Special templates** | Customized installation templates or products may be available to solve non-standard applications. Contact LCN Product Support for assistance.

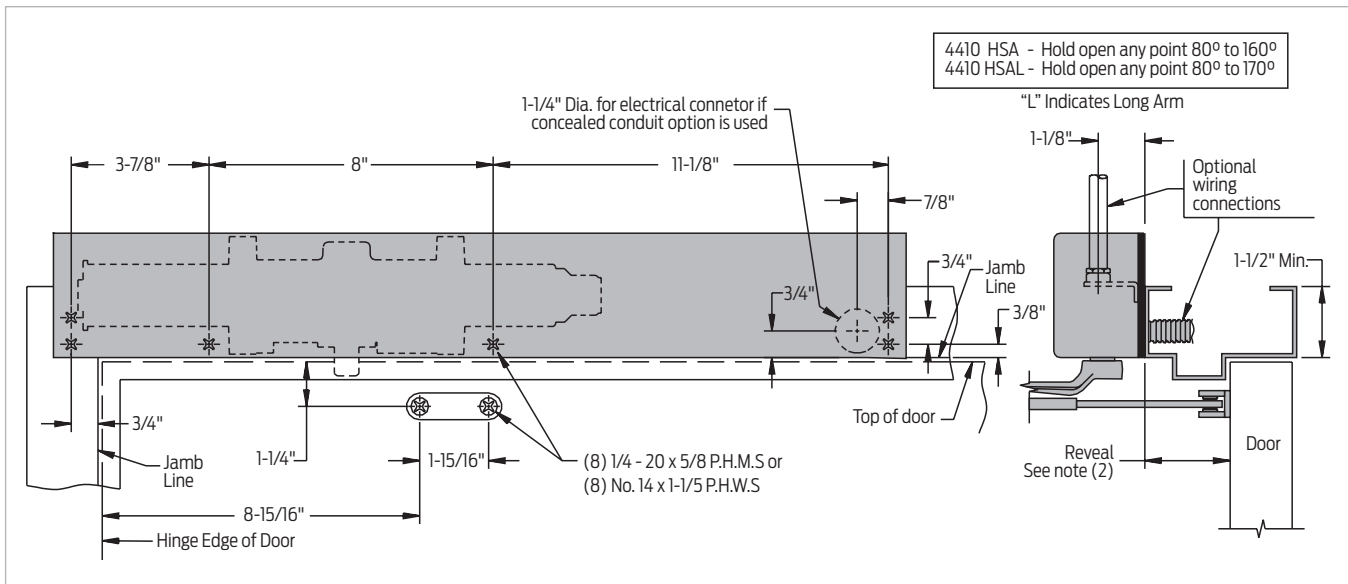
Mounting	Finish	Cover	Cylinder	Arm function*
Hinge (pull) side	Plastic	Handed	Standard (single)	Standard (single)
Top jamb (push)	Metal	Non-sized	Regular (double)	Regular (double)
Stop face (push)		Sized	Swing Free	Swing Free
Concealed (frame)		Single Point Hold Open	Double Egress	Double Egress
Concealed (door)		Multi-point Hold Open		
Powder coat		Pass 80/140		
Plated				
			150°	

■ Available      \* Maximum opening/hold open point with standard template.  
■ Not available

Introduction  
 Product selection guide  
 SEM Series  
 3130SE Series  
 4040SE Series  
 2310ME Series  
 4310ME Series  
 4410ME Series  
 4310HSA Series  
 4410HSA Series  
 SEH Series

## Mounting details

### Top jamb (push side) mounting



Butt hinges	Should not exceed 4 1/2" (114 mm) in width
Top rail	<ul style="list-style-type: none"> <li>1 3/4" (44 mm) minimum</li> <li>3 3/4" (95 mm) minimum with flush ceiling</li> </ul>
Head frame	<ul style="list-style-type: none"> <li>Requires 1 1/2" (38mm) minimum</li> <li>2" (51 mm) minimum with flush ceiling</li> </ul>
Reveal	<ul style="list-style-type: none"> <li>3 7/8" (98 mm) maximum for Regular or Long Arm</li> <li>For reveals greater than 3 7/8" consult factory</li> </ul>
Maximum opening	<ul style="list-style-type: none"> <li>Templating allows 160°</li> <li>Infinite hold open points from 80° up to 150°</li> <li>Optional Long Arm allows 180°, hold open points up to 170°</li> </ul>
Options	<ul style="list-style-type: none"> <li>Optional Long Arm allows 180° with hold open points up to 170°</li> <li>Optional-18G plate accommodates flush ceiling conditions</li> <li>120 volt input requires 4410HSA-3210 transformer to change 120V AC to 24V AC</li> </ul>

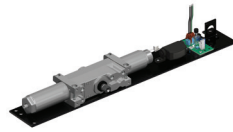
#### HSA wiring diagram

## Accessories

### Cylinders

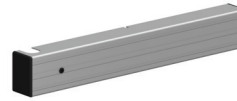


- 4412HSA-3971**  
**Cast iron cylinder assembly (CYL)**
- Handed
  - Cast iron
  - 24V AC/DC input only for holding solenoid
  - Standard



- 4412HSA-3071**  
**Cast iron cylinder assembly (CYL)**
- Handed
  - Includes scanner module and system timer module
  - "On/Off" switch assembly provides continuous hold open function
  - 24V AC/DC input only for holding solenoid and electronics modules
  - Standard

### Cover



- 4410HSA-72MC**  
**Metal Cover (MC)**
- Handed
  - Standard

### Arms

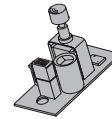


- 4410HSA-3077**  
**Regular Arm (REGARM)**
- Non-handed
  - 3 7/8" (98 mm) maximum reveal



- 4410HSA-3077L**  
**Long Arm (LONG)**
- For increased opening
  - 3 7/8" (98 mm) maximum reveal
  - Optional

### Switch



- 4410HSA-3448**  
**Switch Assembly**
- Provides continuous hold open function
  - Available in 24V only

### Scanner

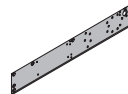


- 4410HSA-3428**  
**Scanner Module**
- Includes wire harness to connect scanner module to the switch assembly

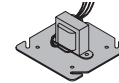
### Installation accessories



- 4410HSA-18**  
**Mounting Plate**
- Standard



- 4410HSA-18G Transformer**  
**Mounting Plate**
- Substituted on flush ceiling installations
  - Optional



- 4410HSA-3210**  
**Transformer**
- Reduces line voltage from 120V to 24V AC
  - Mounted on plate for 4" (102 mm) x 4" x 2 1/8" (54 mm) junction box (by others)