

HIGH VOLTAGE KIT

DoorKing Part Number

2600-266

This kit will alter the input AC voltage on a **DoorKing 115 VAC: 6500, 6300, 9000, 9150 or 1600 Series operators to 208, 230, 460 or 575 VAC. DO NOT USE THIS KIT ON ANY OTHER OPERATOR.**

Choose and follow the installation and wiring instructions for **YOUR specific operator** on the next 4 pages.

AC Input Power Wire Limitations

The table below shows the AC input power wire size and maximum distance wire run limitations. If AC power wire run is greater than the maximum distance shown, it is recommended that a service feeder be installed. When large gauge wire is used, a separate junction box must be installed for the operator connection. An external power disconnect switch is required. Check local building codes before installation.

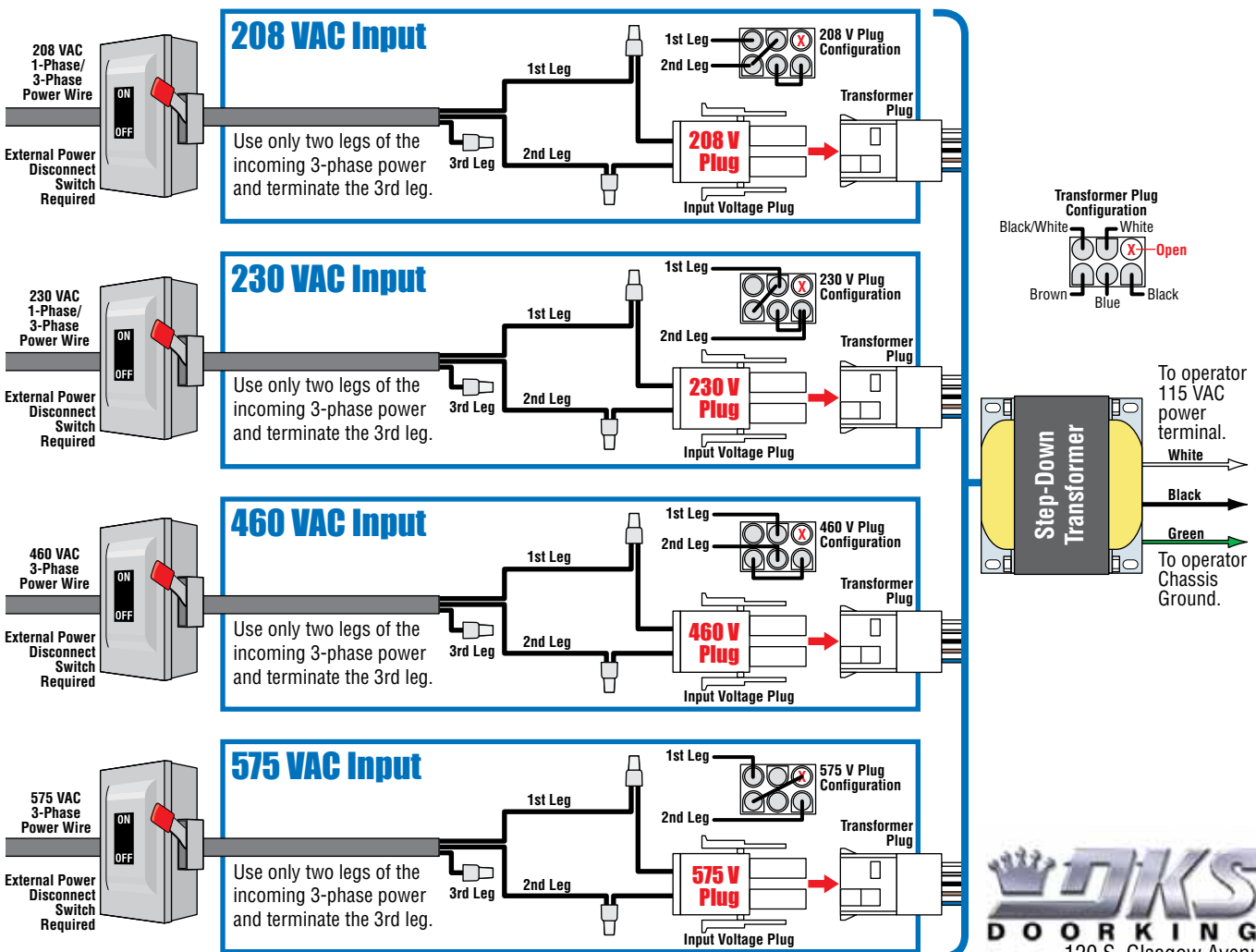
Input Voltage	Primary/Single Operator		Wire Size / Max Distance in Feet			
	Motor	Amps	12 AWG	10 AWG	8 AWG	6 AWG
208/230 VAC	1/2 HP	2.8 Amps	685	1100	1830	2750
460 VAC	1/2 HP	1.4 Amps	2875	4600	7665	11,500
575 VAC	1/2 HP	1.0 Amp	2875	4600	7665	11,500
208/230 VAC	1 HP	5.0 Amps	380	650	1100	1600
460 VAC	1 HP	2.5 Amps	1500	2500	4000	6500
575 VAC	1 HP	2.0 Amps	1500	2500	4000	6500

Never run HIGH voltage rated wire insulation in the same conduit as LOW voltage rated wire insulation. Keep them in separate conduits.

Note: Wire run distances are based on NEC guidelines for copper wire allowing a maximum 3% voltage drop on the line. The calculated distance was then further reduced by 10% to allow for other losses in the system.

Step-Down Transformer Optional Voltage Wiring

Choose desired input voltage plug and connect accordingly **AFTER** step-down transformer has been mounted in the operator.



DOOR KING
 120 S. Glasgow Avenue
 Inglewood, California 90301 U.S.A.

Model 6500

Installation for a 115 VAC 6500 primary operator **ONLY**.

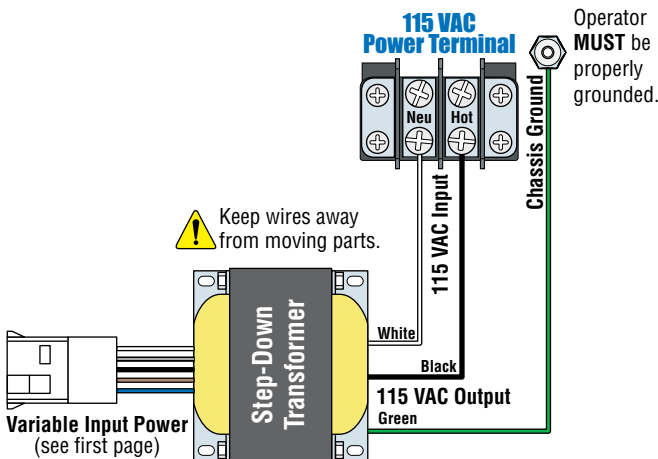
Step 1: Bolt step-down transformer in position shown depending on the model you have using the nuts and bolts supplied with this kit.

Step 2: Wire the step-down transformer for the desired input voltage (see first page).

Important Notes:

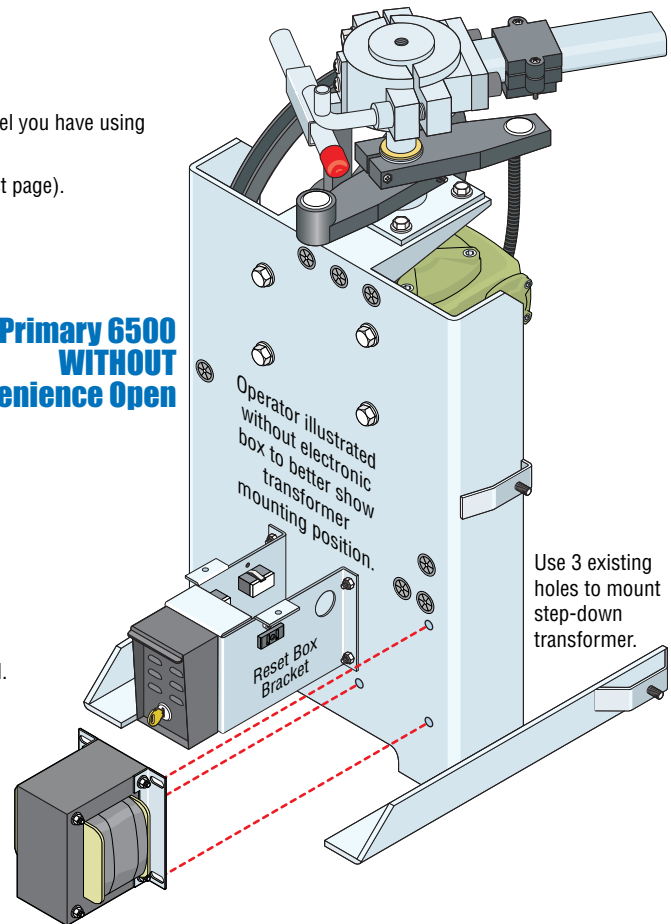
Dual Gate Operators Installation: When installing on bi-parting gates, a step-down transformer and AC input power wire is only required for the **PRIMARY** gate operator. Reduce the AC input power wire run max distance by **ONE-HALF**.

"Optional" Heater Installation: When installing a heater, refer to the "high voltage AC power wire size and distance limitations" table on the instruction sheet with the heater kit for AC input power wire run limitations.

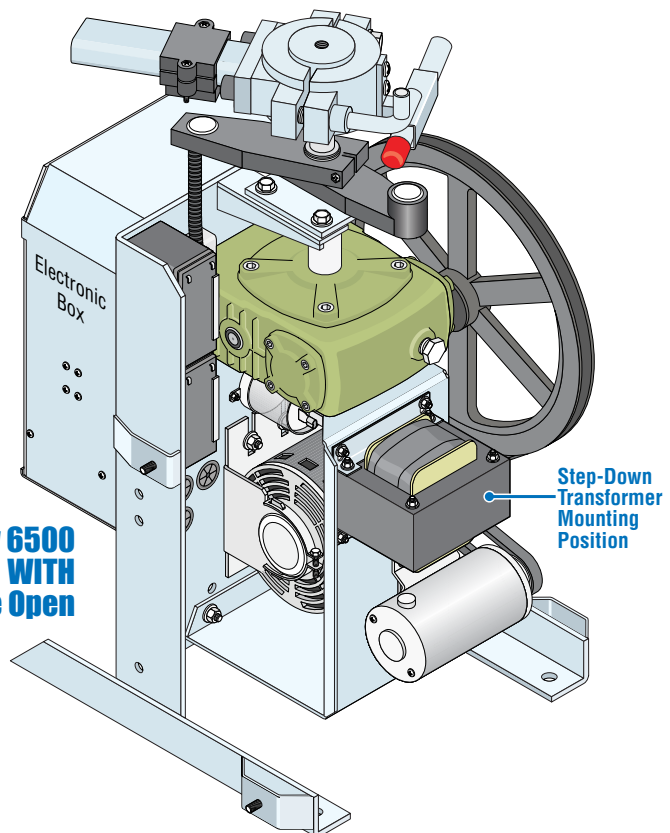


Double check your chosen input voltage plug **BEFORE** applying power to the step-down transformer. Failure to choose the **CORRECT** input voltage plug for your desired input voltage **WILL damage** operator and **VOID** warranty.

Primary 6500 WITHOUT Convenience Open



Primary 6500 WITH Convenience Open

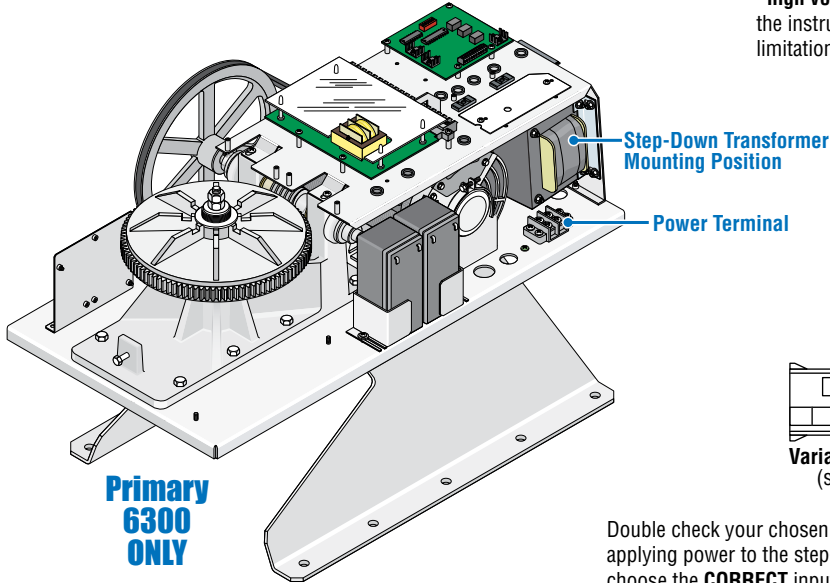


Model 6300

Installation for a 115 VAC 6300 primary operator **ONLY**.

Step 1: Mount step-down transformer on the 4 existing threaded studs using the (4) four nuts supplied with this kit.

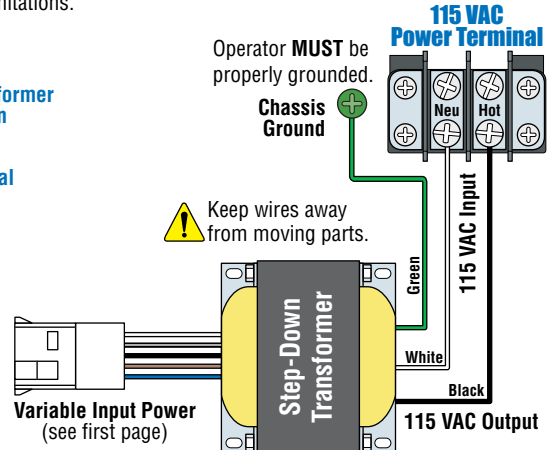
Step 2: Wire the step-down transformer for the desired input voltage (see first page).



Important Notes:

Dual Gate Operators Installation: When installing on bi-parting gates, a step-down transformer and AC input power wire is only required for the **PRIMARY** gate operator. Reduce the AC input power wire run max distance by **ONE-HALF**.

"Optional" Heater Installation: When installing a heater, refer to the "high voltage AC power wire size and distance limitations" table on the instruction sheet with the heater kit for AC input power wire run limitations.



Double check your chosen input voltage plug **BEFORE** applying power to the step-down transformer. Failure to choose the **CORRECT** input voltage plug for your desired input voltage **WILL damage** operator and **VOID** warranty.



Model 9000

Installation for a 115 VAC 9000 primary operator **ONLY**.

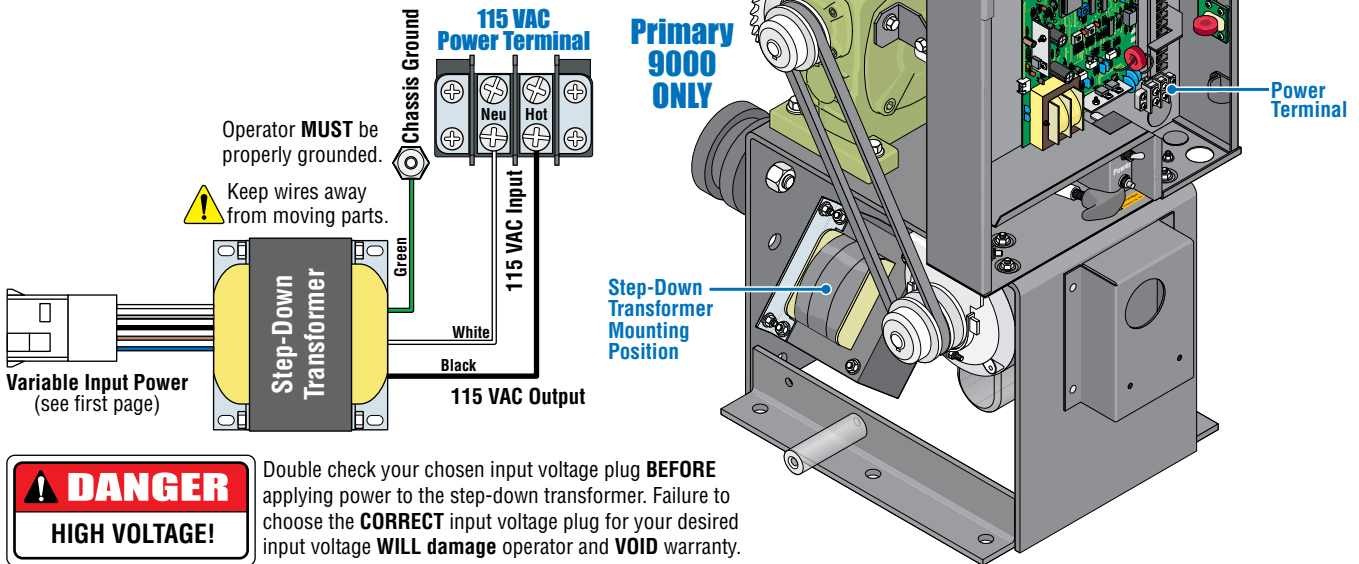
Step 1: Bolt step-down transformer in position shown using the (4) four nuts and bolts supplied with this kit.

Step 2: Wire the step-down transformer for the desired input voltage (see first page).

Important Notes:

Dual Gate Operators Installation: When installing on bi-parting gates, a step-down transformer and AC input power wire is only required for the **PRIMARY** gate operator. Reduce the AC input power wire run max distance by **ONE-HALF**.

"Optional" Heater Installation: When installing a heater, refer to the "high voltage AC power wire size and distance limitations" table on the instruction sheet with the heater kit for AC input power wire run limitations.



Double check your chosen input voltage plug **BEFORE** applying power to the step-down transformer. Failure to choose the **CORRECT** input voltage plug for your desired input voltage **WILL damage** operator and **VOID** warranty.

1600 Series

Installation for a 115 VAC 1600 series (1601, 1602, 1603) operators **ONLY**.

Step 1: Mount step-down transformer.

- Remove the 1 screw, unbolt the ground wire from the chassis ground and **CAREFULLY** remove circuit board.
- Bolt transformer to existing threaded studs on back of supplied plate using the (4) four nuts supplied with this kit.
- **CAREFULLY** install the plate and re-install circuit board.

Step 2: Wire the step-down transformer for the desired input voltage chosen (see first page).

Important Notes:

Dual Gate Operators Installation: When installing on bi-parting gates, a step-down transformer and AC input power wire is required for **EACH** operator.

"Optional" Heater Installation: When installing a heater, refer to the "high voltage AC power wire size and distance limitations" table on the instruction sheet with the heater kit for AC input power wire run limitations.

