



Price Schedule

Effective January 7, 2019

Schedule A 2.0

Section A1 - Vehicular Traffic Control.....	1
Section A2 – Telephone Entry & Access Control Systems	2
Section A3 – Access Control Devices	3
Section A4 - Accessories	4
Section A5 – Advanced Replacement & Repair	5

Schedule B 1.5

Section B1 – Maximum Security Slide Gate Operators.....	6
---	---

Schedule C 1.1

Section C1 – Connection Options: Cellular, VoIP & IM Server.....	7
--	---

Access Control Solutions

Terms and Conditions of Sale

General Information

All descriptions, quotations, proposals, offers, acknowledgments, acceptances and sales of DoorKing® products are subject to and shall be governed exclusively by the terms and conditions stated herein. Buyer's acceptance of any offer to sell is limited to these terms and conditions. Any terms or conditions in addition to, or inconsistent with those stated herein, proposed by Buyer in any acceptance of an offer by DoorKing, are hereby objected to. No such additional, different or inconsistent terms and conditions shall become part of the contract between Buyer and DoorKing unless expressly accepted in writing by DoorKing. DoorKing acceptance of any offer to purchase by Buyer is expressly conditional upon Buyer's assent to all the terms and conditions stated herein, including any terms in addition to, or inconsistent with those contained in Buyer's offer. Acceptance of DoorKing products shall in all events constitute such assent. No agent or representative of DoorKing, Inc. has any express or implied authority to make any representation, promise or guarantee not stated herein.

These policies and terms and conditions of sale may be modified by DoorKing at any time. Please contact your DoorKing representative with any questions regarding these policies and terms and conditions of sale.

Authorized Distributors & Dealers

DoorKing uses a vertical marketing system (VMS) to allow our products to be distributed across the country, easily available and to have our products installed correctly, safely and professionally by licensed installing dealers. This is most important as our products are not designed for the DIY (Do It Yourself) market. Our products must be installed in accordance with the manufacturer's installation manuals, industry safety standards, building codes and/or city/state/federal requirements and guidelines. Most lay persons are unaware of, or are not familiar with, these standards and codes and do not realize the potential hazards associated with an incorrectly designed or installed automated vehicular gate and access control system. These systems, if not properly designed, installed, used and maintained, can result in serious injuries or death. Because of these reasons, DoorKing has chosen to market its products only to professional companies, who are trained, licensed and insured to sell and/or install access control systems, vehicular gate operating systems, parking control systems and security systems. DoorKing does not condone business models that bypass the professional installing dealer and we reserve the right to eliminate the availability of our products from companies who sell direct to the DIY market.

Terms

Initial terms of sale to new accounts are C.O.D., cash, cashier check or credit card only (American Express, Master Card and Visa). Company checks will be accepted after a DoorKing credit application is completed and approved by our Sales and Credit Department. Open account status will be granted only after \$2000 of product has been purchased from DoorKing.

Our terms of sale are net 30-days from the invoice date. A 1 ½% finance charge is assessed on all account balances over 30-days from the invoice date. Any account that is past due will be placed on C.O.D. terms and is subject to stop shipment. All invoices are payable in U.S. currency only. A service charge of \$25.00 will be assessed on any check returned by our bank because of non-payment. Buyer agrees to pay reasonable collection cost, reasonable attorney's fees and actual court cost if these charges are incurred by DoorKing in the collection of monies owed on buyers account.

Pricing

This price schedule supersedes any and all previous price schedules. We do not honor prices quoted from an obsolete price schedule nor do we honor prices for obsolete products with prices derived from an obsolete price schedule. The information, terms and conditions and prices in this price schedule (January, 2019) supersede all previous published prices, agreements and any oral representations.

While every effort has been made to ensure the accuracy of the information and prices contained in this document, no guarantee is given or implied that the document is error free or that it is accurate with regard to any specification. DoorKing reserves the right to make changes to this document at any time without notice.

All prices shown are subject to change without notice. We suggest that you confirm pricing on any custom, special or large order with the Sales Department prior to placing the order. Current price schedules are sent to authorized DoorKing distributors and dealers upon request. Current DoorKing price schedules are available for download from company web sites. If you have a price schedule that is over one (1) year old, we suggest that you download or request a new one. **We are not responsible for quotations made from an obsolete price schedule.** All prices in this price schedule are shown in U.S. Dollars.

Authorized Distributors and Dealers - please use our web portal for prices not found in this price schedule.

<https://webportal.doorking.com/>

Quotations

All written quotations will remain valid for a period of thirty (30) days from the date quoted, unless otherwise noted. If DoorKing is asked to review plan documents, specifications or to provide a quote, it does so as a courtesy and is not responsible for any errors or omissions either in quantity, type or price of the equipment quoted.

Taxes and Fees

Prices shown in this price schedule do not include sales, use, excise, value-added or other taxes and fees that may be applicable. All such taxes and fees in effect and/or hereafter levied which are applicable to the transaction, are in addition to such prices and shall be paid by the Buyer.

Will Call

If an order is will called at our shipping warehouse, once the order has been signed for as being received, any shortages, loss or damage is the responsibility of the Buyer.

Shipping

All shipments are F.O.B. (Free On Board) from our shipping warehouse in Inglewood, California via a carrier of our choice. This means that the Buyer assumes title and control of the shipment the moment the carrier signs the Bill of Lading. Buyer is responsible for all transportation costs including, but not limited to, shipping charges, premiums for freight insurance, inspection fees, customs, duties, import or export fees, assessments, and all other costs incurred in transporting the products to the shipping destination.

Regardless of how transportation costs are paid or billed, title and risk of loss passes to the Buyer upon delivery of the products to the carrier at DoorKing's warehouse. ***Our responsibility ceases when we have delivered the shipment to the transportation company on a clean bill of lading.*** We obtain signed manifest from the carrier and it is the Buyer's responsibility to submit all claims for shortages, loss or damaged goods to the transportation company.

Check Your Shipment Carefully. Upon receipt of your order, check your shipment for any signs of shortages, loss or damage. If you suspect any shortages, loss or damage, this must be noted on the carrier's Bill of Lading. Once you sign the Bill of Lading without any notation of shortages, loss or damage, you release the carrier and DoorKing of any liability and responsibility for any shortages, loss or damage. ***Claims for errors or shortages must be made immediately upon receipt of order. Claims for shortages, loss or damage cannot be deducted from our invoice.***

Drop Shipments:

Dealers: If you have more than one place of business, a separate account number for each ship-to location must be established with DoorKing, otherwise a drop shipment fee of 25% of the invoice (less taxes and freight) will be applied to those invoices with a ship to location that does not have an account number established.

Distributors: You will need to establish an account number with DoorKing for each of your locations (if more than one) that you want us to ship to, and for each of your dealer customers that you want us to ship to, otherwise a drop shipment fee of 25% of the invoice (less taxes and freight) will be applied to those invoices with a ship to location that does not have an account number established.

To establish an account number for a ship to location, complete the Ship to Account Information Short Form and return it to DoorKing (info@dooorking.com).

Drop ship fees apply only to new orders for finished goods and non-warranty parts, and will be applied regardless of the method of shipping (common carrier, UPS, FedEx, Postal, etc.). No drop shipments will be made to destinations outside of the United States (50 states).

Drop ship fees are not applied to the following:

- Warranty or RMA items
- Access cards and transmitters
- Job site deliveries¹

1. You must have prior approval for any job site delivery - contact your Regional Sales Manager. Job site must have the capability to unload the shipment. Any additional fees (lift truck, residential delivery fees, etc.) imposed by the freight company are the responsibility of the buyer and these fees will be charged back to the buyer.

DoorKing will not drop ship (*includes 3rd Party Shipments*) to DIY consumers who have purchased our products direct from internet web sites (see Authorized Distributors and Dealers).

3rd Party Shipments (*drop ship policy applies*)

All third party shipments are FOB, Inglewood, California, freight collect (this means that the buyer is responsible for all freight charges). DoorKing will not file any claims for shortages, loss or damage on behalf of the Buyer for Buyers who use their own transportation services, or who contract with a third party transportation service for shipment of goods. Any additional fees imposed by the transportation company are the responsibility of the Buyer. Furthermore, DoorKing will not replace any product because of shortages, loss or damage, and will not prepay any shipping charges for any shipment by a third party carrier.

Fees

Handling: \$5.00 handling/insurance fee per package is charged on all FedEx, UPS and U.S. Postal Service shipments (fee includes insurance).

Fed-Ex Pick-up: \$5.00 pick-up fee per package for all shipments requested by the buyer to be shipped via FedEx (this fee applies to FedEx shipments only). This is a fee that FedEx imposes on DoorKing and buyer agrees to reimburse DoorKing for this fee.

Correction: Any FedEx or UPS shipment that is dropped shipped per Buyer's instructions, and the drop ship address is incorrect in any way, Buyer is responsible for, and agrees to reimburse DoorKing for, any correction fees that are assessed to DoorKing by the shipping company.

LTL Handling: \$25.00 shipment fee is applied to all common carrier LTL shipments. There are additional fees that may be applicable and are beyond our control. These fees include residential deliveries, waiting time, lift gates, etc. We are not advised of these fees until after the delivery is made. Fees of this nature will be charged back to the consignee.

LTL Pickup: \$50.00 LTL pick up fee is charged by the carrier to DoorKing when DoorKing schedules a pick up at the customer's location. This fee is added to the freight charges that apply.

Custom Orders

Contact the Sales Department for any custom orders (i.e., any order that requires us to produce / modify a standard product to meet an individual customer's requirements). Written specification is required prior to our manufacturing any custom order. Once manufacturing of a custom order has started, the order cannot be cancelled. Buyer indemnifies DoorKing and its officers and employees from any liabilities, obligations, claims, actions, suits, penalties, costs and expense (including costs of defense) arising from the modification. **Custom orders cannot be returned for credit under any circumstances.**

IMPORTANT!!

There is a \$240.00 set-up fee plus \$240.00 per hour shop labor charge for machine time, in addition to the cost of the part, for those custom orders that require machine shop alterations (e.g., special size V-wheels).

Special Orders

Contact our Order Entry Department to place any special order (i.e., any order being a particular one pertaining to a particular instance). Special orders include any products that we do not normally carry in our finished goods inventory, or are orders that we have to order as special from our vendors. Special orders may carry additional fees that are applied to the cost of the item, so it is always best to check with our Order Entry and/or Sales Departments regarding the price of a special order.

Special cards and card codes and AVI readers are an example of (but not limited to) a special order. In the case of special type cards and/or special card codes (particular sequenced numbers, special artwork, etc.), there is a minimum order of 100 cards. Contact DoorKing for any card requiring special artwork and/or encoding as additional fees will be applied to the cost of the cards. **Special orders cannot be returned for credit.**

Warranty Claims

Warranty claims are handled strictly through our RMA Department. Please contact an RMA Department staff member before ordering any replacement items or products. We offer advance shipment for exchange parts so the customer does not suffer lost time waiting for the defective to be returned to us. It is **not allowed** to place a new item order when attempting to resolve warranty issues with our products. We support our products by providing an exchange for the defective internal part of a larger product; we do not replace entire main product assemblies. rma@doorking.com

The repair or replacement of products or parts is subject to the terms of our warranty policies.

Returns

DoorKing will accept returns for justifiable reasons according to our judgment. Non-defective products returned for restock must be returned unused, unblemished and in the original packaging to be considered for credit. All returns must be sent freight prepaid and accompanied by an RMA number, or they may be refused. Cost for repairs and/or missing parts will be deducted from the credit allowance.

Restocking fees will be waived for returns with an original invoice date less than thirty (30) days old. A 15% restocking fee will be assessed on all returns with an original invoice date greater than thirty (30) days, but less than ninety (90) days old. In addition, cost for repairs and/or missing parts will be deducted from the credit allowance.

Any product that was purchased from DoorKing with an original invoice date of 90 days ago or more cannot be returned for credit under any circumstances.

Any product that has been installed, or shows signs of being installed, or has been subject to abuse, or has been modified in any way, cannot be returned for credit. Under these circumstances, DoorKing will make every attempt to repair and/or restore the product to a "like new" condition, and will return the product to the customer, with applicable charges (missing parts, packaging, labor, etc.) being applied.

Substitutes

DoorKing reserves the right to alter its product specifications at any time, and reserves the right to furnish suitable substitute components or materials for any reason. DoorKing assumes no liability for deviation from its published specifications, including, but not limited to, dimensions and/or descriptive information not essential to the proper operation of the product.

Force Majeure

We maintain a large finished goods inventory on our most popular items. We will make every effort to ship your order as soon as possible, typically within 24-hours after the order is received. However, there are times when orders may be delayed because of large influxes of orders, delay in shipments of raw materials by our suppliers, or other circumstances beyond our control including: weather, acts of God, riots, civil commotion, embargoes, wars, hostilities, disturbances, unsettled international conditions, and any strike, work stoppage, slowdown, lockout or any other labor-related dispute involving or affecting any of our suppliers. DoorKing shall not be held liable for any loss, damage or delay in delivery of goods due to such acts and circumstances.

Unenforceable Provision

The invalidity or unenforceability of any provision of these Terms and Conditions of Sale will not affect the other provisions hereof. If any provision of these Terms and Conditions of Sale is found to be invalid or unenforceable, then the remainder shall have full force and effect, and the invalid provision shall be partially enforced to the maximum extent permitted by law to effectuate the purpose of the Terms and Conditions of Sale.

Governing Law

These Terms and Conditions of Sale shall be governed by, and interpreted in accordance with, the laws of the State of California, and shall be deemed to have been executed in Inglewood, California. Buyer and Seller agree that the courts of the State of California and/or the United States District Court for the Central District of California shall have exclusive jurisdiction over any litigation arising between Seller and Buyer, and the parties hereby agree to submit themselves to the personal jurisdiction of said courts.

Repairs

All repairs must be issued an RMA number before they can be returned to DoorKing. Repairs that are returned without prior authorization are subject to lengthy delays. Prior to returning any item to DoorKing, please contact our RMA department for an RMA number and have the following information available: **the model number of**

the product and the circuit board number, the serial number, and the revision letter.

Standard flat rate repair charges that are listed on the following pages apply only to products manufactured by DoorKing that are beyond the warranty period and became defective because of random component failure. Standard flat rate repair charges apply only to products that are returned to DoorKing for repair and return. **The standard flat rate repair charge does not apply to products that are returned under an advance replacement RMA.**

The standard repair charges do not apply to products or parts that are deemed by DoorKing to be un-repairable because of vandalism, abuse, improper installation including connection to an improper voltage source, power surges, lightning damage or natural disasters. Additional repair charges will be assessed to replace missing parts or parts damaged beyond repair. Boards that are deemed to be beyond repair will be returned to the owner or scrapped upon written authorization from the owner.

Repair Warranty

Circuit boards repaired by DoorKing are warranted for a period of ninety (90) days from the date of repair. This warranty covers bench repairs only. For this warranty to be in effect, any product or parts must be returned to DoorKing freight prepaid. DoorKing is not responsible for any cost incurred involving on-site service calls, or labor charges incurred in the removal or replacement of any parts. **This warranty does not apply to products or parts damaged because of vandalism, abuse, improper installation including connection to an improper voltage source, power surges, lightning damage or natural disasters.**

Advance Replacements

Defective or un-used parts that have been advanced to you must be returned to DoorKing within thirty (30) days from the date of the advance replacement invoice.

Not all circuit boards are available for advance replacement. Advance replacement boards are not guaranteed to be available. You must know the serial number and the revision level of the board that you are requesting an advance replacement for prior to our shipping an advance replacement board to you. Out of warranty advance replacement repair charges are billed at a higher rate than the standard flat rate repair and return charge.

Obsolete Board Repair and Replacement (Upgrade) Information

Many early model circuit boards are not available for advance replacement and cannot be repaired. These boards are identified in the tables in Section A5 of this price schedule.

Upgrade: The upgrade option allows you to replace an old circuit board with a new current production circuit board at a reduced rate. When choosing this option, the upgrade charge includes any additional parts required to install the new circuit board into the telephone entry / access control system. The upgrade option also carries a two-year warranty on the circuit board.

If you choose the upgrade option as an advance replacement, the reduced rate upgrade charge will not be applicable until the replaced circuit board and memory chips are returned to DoorKing. Otherwise, you will be responsible for payment in full of the new circuit board and memory chips sent to you under the advance replacement program.

Shipping Charges

DoorKing pays UPS ground shipping charges one way only on warranty advance replacement items. If any other means of shipping (UPS red, blue, etc.) is requested, you are responsible for the difference between that method and UPS ground charges. Shipping charges for the return of advance replacement items are the responsibility of the customer. All shipping charges for non-warranty repair items are the responsibility of the customer.

Solar Tax Credit

Homeowners who purchase a solar powered gate operator manufactured by DoorKing, Inc. after December 31, 2008, may qualify for a 30% Federal Tax Credit off the installed cost of the system. This tax credit is available for the installed cost of the solar powered gate operator on the homeowner's Federal tax return.

The 30% [Investment Tax Credit \(ITC\)](#) for residential and commercial solar systems will expire on December 31, 2019, the ITC then steps down to 26 percent in 2020 and 22 percent in 2021. After 2021, the residential credit will drop to zero while the commercial and utility credit will drop to a permanent 10 percent. Commercial and utility projects which have commenced construction before December 31, 2021 may still qualify for the 30, 26 or 22 percent ITC if they are placed in service before December 31, 2023. The Treasury and IRS are currently drafting guidance which will inform solar developers of which percentage of ITC they will qualify for depending on when they started their project.

The solar powered Gate Operator is considered a "Qualified Solar Electric Property" authorized by the Internal Revenue Code Section 25D under the definition provided in paragraph d.2 and as such qualifies for the Residential Energy Efficient Tax Credit. You will need to complete Federal Form 5695 and attach it to your personal tax return in order to claim this credit. If you have any questions regarding this Federal Tax Credit, Form 5695 or its instructions, please consult your tax adviser. You should also check with your state tax agency to see if your state offers any additional solar energy tax incentives.

What is Covered:

The solar system tax credit applies to the total installed cost of the solar gate operator system. This includes the related solar panel, gate operator, solar control box, access control device, remote controls, obstruction detection device(s), etc.

DoorKing Model 6005 Swing Gate Actuator (P/N 6005-380)*

DoorKing Model 6006 Swing Gate Actuator (P/N 6006-380)*

DoorKing Model 6004 Swing Gate Operator (P/N 6004-380)*

DoorKing Model 6400 Swing Gate Operator (P/N 6400-380)*

** To qualify, must be installed with 4302-313, 4302-314 or 4302-315 Solar Control Box*

DoorKing Model 6524-381 Swing Gate Operator

DoorKing Model 9024-381 Slide Gate Operator

DoorKing Solar Kit (P/N 2000-070)

DoorKing Solar Panel (P/N 2000-076 or 2600-077)

Batteries; two (2) 18 Amp Hour (P/N 1801-004) or two (2) 35 Amp Hour (P/N 1801-005)

What is Not Covered:

The cost of the gate itself, or work required to place the physical gate into proper working order (leveling, replacing hinges, etc.).

Qualifications:

- The installation of a DoorKing Solar Powered Gate System
- Effective for tax years beginning after December 31, 2008
- Homeowners will need to use The Federal Tax Credit form 5695, Residential Energy Efficient Property Credit
- Homeowners will need to provide a copy of the "[Manufacturer's Certification for Credit](#)"
- The dwelling must be located in the United States and used as a residence by the taxpayer
- This offer is only available in the United States

UL 325 – August 2018 Update

Requirements mandated by the safety standard (UL 325) that DKS gate operators are listed to require that photo-beams and contact edges used for entrapment protection must be monitored. Entrapment protection must be provided for the gate system where the risk of entrapment exist. The gate operator will not run without one or more external entrapment protection devices installed in each direction of travel. Check the gate operator installation manual for a list of external entrapment protection devices that can be used with DKS gate operator products.

The August 2018 update to the safety standard requires that a minimum of two (2) independent means of entrapment protection must be provided in each direction of travel where the risk of entrapment exists. The inherent system in DKS gate operators is active in both directions of travel, so this qualifies as one means of entrapment protection in each direction. The second means will be an external device, such as a non-contact (Type B1) or a contact (Type B2) sensor as required in each direction. The actual number of external devices required is dependent on the gate system layout and the number of entrapment areas that will need to be protected. Installers will have to identify all potential areas where the risk of entrapment exist and how best to protect those areas. For example, some gates may require two (or more) external devices in each direction of travel to protect all potential areas of entrapment. The standard also mandates that all components used for monitoring purposes for external devices must be factory installed internally within the device.

There is an exception for swing gates and vertical lift gates regarding the minimum of two entrapment protection devices in each direction of travel. For example, if on a swing gate system there is no potential for entrapment in the opening direction, then only the close direction will require a minimum of two means of entrapment protection. Installers will have to determine if any entrapment hazards exist in the opening direction, and if so, then those areas will have to be protected with external devices.

Vertical lift gates require two means of entrapment protection in the down cycle, but will only require one means of entrapment protection in the up cycle. The model 1175 is considered to be a vertical lift gate operator for entrapment protection means requirements.

Barrier gate operators that are installed in such a way that the barrier arm does not come closer than 16 inches to a rigid object are not required to protect against entrapment.

The table below shows the minimum entrapment protection requirements for each type of gate operator in the scope of the UL 325 Standard for Safety.

	Opening	Closing
Horizontal Slide Gate	2	2
Horizontal Swing Gate	2*	2*
Vertical Pivot Gate	2	2
Vertical Lift gate	1	2
* For a horizontal swing gate operator, at least two independent entrapment protection means are required in each direction of travel. Except, if there is no entrapment zone in one direction of travel, only one means of entrapment protection is required in that direction of travel; however, the other direction must have two independent entrapment protection means.		

Blank Page

Table of Contents

Overhead / Barrier Gate Operators / Traffic Spike Systems

Model 1175	6
Model 1601	8
Model 1602	10
Model 1603	12
Traffic Control Spikes	14
Warning Signs / Traffic Signals	15
Overhead / Barrier Gate Operator Parts	16

Swing Gate Operators

Model 6005, 6006, 6004, 6400	18
Model 6050 / 6100	20
Model 6300	22
Model 6500 / 6550	24
Model 6524	26
Swing Gate Accessories	28
Swing Gate Operator Parts	29

Slide Gate Operators

Model 9000	30
Model 9024	32
Model 9050 / 9100	34
Model 9150	36
Slide Gate Accessories	38
Slide Gate Operator Parts	40

Entrapment Protection

Entrapment Protection Devices Non-Contact Type B1	42
Entrapment protection Devices Contact Type B2	43

Vehicle Detection

Loop Detectors and Loops	44
--------------------------------	----

Accessories

Control Stations	45
------------------------	----

Back-up Power Inverters

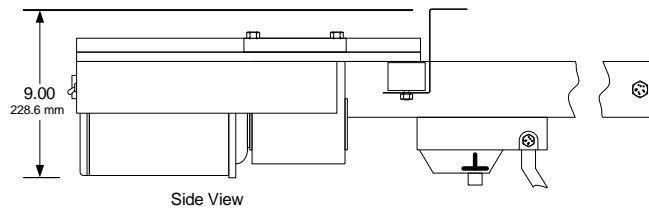
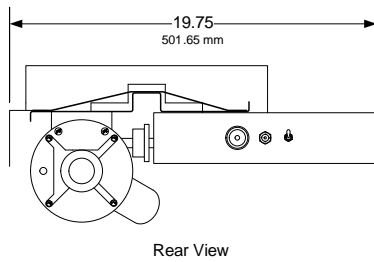
Model 1000	46
------------------	----

1175 Overhead Operator

Indoor Use Only

1175

- Adjustable Limits
- Plug-in Loop Detector Ports
- Built-in power and reset switches
- Gate Tracker Data Output
- Steel Frame
- #40 Roller Chain
- Heavy-duty 3-in (76.2 mm) Rails
- Up to 14 Ft (4.27 m) high gate



Model	Maximum Gate Height	Overall Length	Mount Options ¹	Class of Operation ²	Voltage	HP	Power Outlets	Maximum Cycles / Day	Loop Ports ³	Adjustable Clutch ⁴
1175	8 Ft 2.43 m	12.25 Ft 3.73 m	Ceiling	II, III, IV	115 VAC	1/2	N/A	Continuous	2	No
	10 Ft 3.05 m	14.25 Ft 4.34 m								
	12 Ft 3.66 m	16.25 Ft 4.95 m								
	14 Ft 4.27 m	18.25 Ft 5.56 m								

1. If the operator is mounted less than 8 feet above the ground, the optional powerhead cover (1175-020) is required.
2. II = Commercial; III = Limited Access; IV = Restricted Access.
3. Plug-in loop detector ports; open and reverse. DoorKing plug-in loop detectors only.
4. Operator is equipped with a Type A inherent detection system.

1175 Overhead Operator

Indoor Use Only

Powerhead Assembly

1175-380..... 2096.00

Optional Powerhead Cover

1175-020..... 318.00

Required if powerhead assembly is mounted less than 8 feet (2.43m) above the ground.

Rail Assembly

1150-225 (8 ft. high gate) 884.00

1150-226 (10 ft. high gate)..... 964.00

1150-227 (12 ft. high gate)..... 1236.00

1150-228 (14 ft. high gate)..... 1308.00

Entrapment Protection (required)

Use Type B1 (non-contact) and/or Type B2 (contact) entrapment protection devices to protect all areas where the risk of entrapment exist - see pages 42-43.

Operator will not run without entrapment protection device(s) connected to the controller board.

Loops and Loop Detectors

See page 42 for a complete list of all loop detectors, prefabricated loops and loop accessories available.

Surge Suppression

1879-080 High Voltage (120 VAC)..... 156.00

Backup Power Inverters

1000-083 1000 Watt, Pure Sine Wave 2148.00

1000-045 Inverter Post Mount Kit..... 270.00

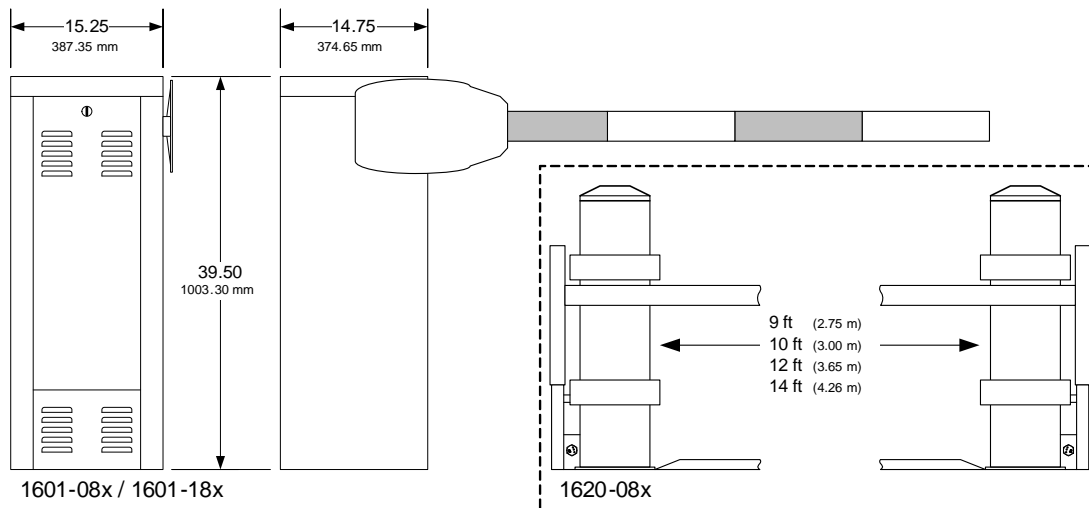
Includes two (2) 35 AH SLA batteries and can power up to two ½ HP operators or one (1) 1 HP operator. This version is suitable to be used with all brands of gate operators. See page 46 for more information.

1601 Barrier Gate Operator

Magnetic Limits

1601

- Magnetic Limits
- Plug-in Loop Detector Ports
- Gate Tracker Data Output
- Up input memory buffer
- Down memory buffer
- Built-in power and operate switches
- Two convenience outlets
- Left or right hand mount
- Galvanized steel housing
- 90° in approximately 1.5 sec.



Model ¹	Mount Options	Class of Operation ²	Voltage ³	HP	Power Outlets	Cycles / Day	Loop Ports ⁴	Arm Type ⁵	Maximum Length	Fold Option ⁶	Breakaway Option	Lighted Option ⁵
1601	Left or Right	II, III, IV	115 208 230 460 575 VAC	1/2	2	Continuous	2	Aluminum	14 Ft. 4.27 m	Yes	Yes	Yes
								Wood	14 Ft. 4.27 m	Yes	No	No
								Plastic	12 Ft. 3.66 m	Yes	No	No

1. 1601 is available with white housing (1601-08x) or gray housing (1601-18x). Gray housing includes stainless steel door.
2. II = Commercial; III = Limited Access; IV = Restricted Access.
3. High voltage kit (P/N 2600-266) required for 208 Volt and higher.
4. Plug-in loop detector ports; up loop and down loop. DoorKing plug-in loop detectors only.
5. Always use lighted aluminum arm when using the lane barrier (1620-08x) add-on option.
6. Maximum arm length using the fold option is 12 Ft. (3.66 m).

1601 Barrier Gate Operator

Magnetic Limits

Choose an Operator

1601-080 1/2 HP White Housing.....	3322.00
1601-081 1/2 HP w/COO ¹ White Housing	4312.00
1601-180 1/2 HP Gray Housing.....	3690.00
1601-181 1/2 HP w/COO ¹ Gray Housing.....	4432.00

1. Convenience Open Option provides a method to raise the arm when AC power has failed.

High Voltage

2600-266 High Voltage Kit.....	640.00
--------------------------------	--------

Allows the operator to be powered from 208, 230, 460 or 575 VAC source voltage.

Choose Entrapment Protection (required) Devices

Use Type B1 (non-contact) and/or Type B2 (contact) entrapment protection devices to protect all areas where the risk of entrapment exist - see pages 42-43.

Loops and Loop Detectors

See page 42 for a complete list of all loop detectors, prefabricated loops and loop accessories available.

Surge Suppression

1879-080 High Voltage (120 VAC)	156.00
---------------------------------------	--------

Backup Power Inverters

1000-083 1000 Watt, Pure Sine Wave	2148.00
1000-045 Inverter Post Mount Kit.....	270.00

Includes two (2) 35 AH SLA batteries and can power up to two ½ HP operators or one (1) 1 HP operator. This version is suitable to be used with all brands of gate operators. See page 46 for more information.

Accessories

1601-281 Arm Hub Cover White ¹	95.42
1601-283 Arm Hub Cover Gray ¹	95.42
1603-210 Traffic Signal & Mount Kit	1096.00
1601-092 Heater Kit ²	270.00
1601-093 Fan Kit ³	270.00
1601-270 Manual Crank Kit.....	278.00

1. Arm hub cover is included with the 1601 operator. Shown here for replacement purposes only.
2. Use if temperature routinely falls below 10°F (-12°C).
3. Use in hot, humid environments.

Aluminum Arm – Standard

1601-242 Hardware Kit - Required.....	172.00
---------------------------------------	--------

Choose one arm from below

1601-516 Arm 14 Ft (4.27 m)	324.00
1601-524 Arm 14 Ft (4.27 m), 2-Piece ¹	392.00
1601-610 Arm Folding 12 Ft (3.66 m).....	532.00

1. Ships in 7-ft (2.13 m) long box to reduce shipping cost.

Aluminum Arm – LED Lighted

1601-242 Hardware Kit - Required.....	172.00
---------------------------------------	--------

1601-535 Power Harness – Required	164.00
---	--------

Choose one arm from below

1601-518 Arm 14 Ft (4.27 m) Lighted.....	580.00
1601-600 Arm Folding Lighted 12 Ft (3.66 m)	1004.00

Aluminum Arm – Breakaway

1601-285 Breakaway Hardware Kit - Required.....	934.00
---	--------

Choose one arm from below

1601-522 Arm 14 Ft (4.27 m)	328.00
1601-528 Arm 14 Ft (4.27 m), 2-Piece ¹	430.00
1601-520 Arm 14 Ft (4.27 m) Lighted.....	580.00

1. Ships in 7-ft (2.13 m) long box to reduce shipping cost.

Wood Arm

1601-240 Hardware Kit - Required.....	144.00
---------------------------------------	--------

Choose one arm from below

1601-348 Arm 14 Ft (4.27 m)	256.00
1601-384 Arm Folding 12 Ft (3.66 m).....	442.00

Plastic Arm

1601-241 Hardware Kit - Required.....	144.00
---------------------------------------	--------

Choose one arm from below

1601-571 Arm 12 Ft (3.66 m)	150.00
1601-383 Arm Folding 12 Ft (3.66 m).....	442.00

Lane Barrier Add-On¹

1620-080 9 ft (2.75 m) opening width.....	27,052.00
1620-081 10 ft (3.00 m) opening width.....	27,682.00
1620-083 12 ft (3.65 m) opening width.....	29,258.00
1620-085 14 ft (4.26 m) opening width.....	29,992.00

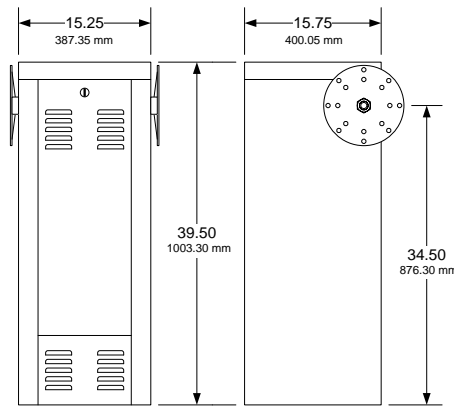
1. Requires 1601 operator, 1601-242 hardware kit, 1601-535 power harness and 1601-518 arm – not included in the lane barrier pricing. For passenger cars and light trucks only.

1602 Barrier Gate Operator

Magnetic Limits

1602

- Magnetic Limits
- Plug-in Loop Detector Ports
- Gate Tracker Data Output
- Up input memory buffer
- Down memory buffer
- Built-in power and operate switches
- Two convenience outlets
- Left or right hand mount
- Galvanized steel housing
- 90° in approximately 5.5 sec.



Model	Mount Options	Class of Operation ¹	Voltage ²	HP	Power Outlets	Cycles / Day	Loop Ports ³	Arm Type	Maximum Length	Fold Option	Breakaway Option	Lighted Option
1602	Left or Right	II, III, IV	115 208 230 460 575 VAC	1	2	Continuous	2	Aluminum	20 Ft. 6.09 m	No	No	Yes
									24 Ft. 7.31 m	No	No	Yes
									27 Ft. 8.23 m	No	No	Yes
								Wood	20 Ft. 6.09 m	No	No	No

1. II = Commercial; III = Limited Access; IV = Restricted Access.
2. High voltage kit (P/N 2600-266) required for 208 Volt and higher.
3. Plug-in loop detector ports; up loop and down loop. DoorKing plug-in loop detectors only.

1602 Barrier Gate Operator

Magnetic Limits

Choose an Operator

1602-090 1 HP.....	4912.00
1602-091 1 HP w/COO ¹	5902.00
<i>1. Convenience Open Option provides a method to raise the arm when AC power has failed.</i>	

High Voltage

2600-266 High Voltage Kit	640.00
<i>Allows the operator to be powered from 208, 230, 460 or 575 VAC source voltage.</i>	

Choose Entrapment Protection (required) Devices

Use Type B1 (non-contact) and/or Type B2 (contact) entrapment protection devices. See pages 40-41 for a complete list of all entrapment protection devices available.

Loops and Loop Detectors

Use Type B1 (non-contact) and/or Type B2 (contact) entrapment protection devices to protect all areas where the risk of entrapment exist - see pages 42-43.

Surge Suppression

1879-080 High Voltage (120 VAC).....	156.00
--------------------------------------	--------

Backup Power Inverters

1000-083 1000 Watt, Pure Sine Wave	2148.00
1000-045 Inverter Post Mount Kit	270.00
<i>Includes two (2) 35 AH SLA batteries and can power up to two ½ HP operators or one (1) 1 HP operator. This version is suitable to be used with all brands of gate operators. See page 46 for more information.</i>	

Accessories

1603-210 Traffic Signal & Mount Kit	1096.00
1601-092 Heater Kit ¹	270.00
1601-093 Fan Kit ²	270.00
1602-170 Manual Crank Kit.....	470.00

- 1. Use if temperature routinely falls below 10°F (-12°C).*
- 2. Use in hot, humid environments.*

Aluminum Arms

1602-162 3-Piece, 20 Ft (6.09 m)	3604.00
1602-164 3-Piece, 24 Ft (7.31 m)	3768.00
1602-166 3-Piece, 27 Ft (8.23 m)	3876.00

Aluminum Arms – LED Lighted

1602-172 3-Piece, 20 Ft (6.09 m)	3952.00
1602-174 3-Piece, 24 Ft (7.31 m)	4188.00
1602-176 3-Piece, 27 Ft (8.23 m)	4350.00

Wood Arm

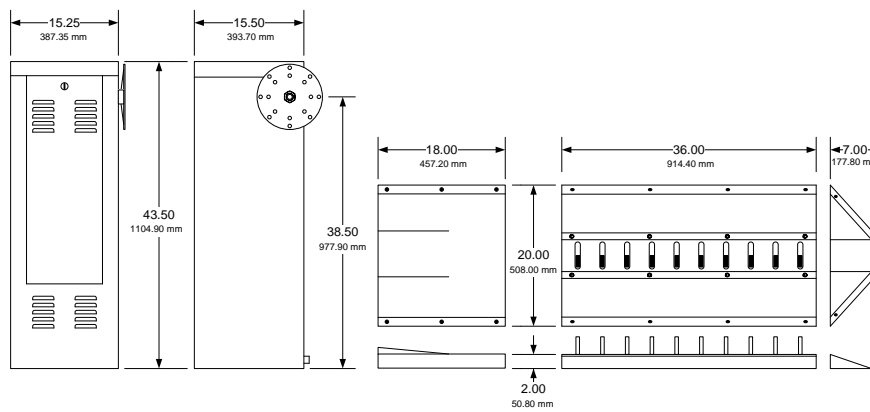
1602-340 3-Piece, 20 Ft (6.09 m)	554.00
1602-041 Hardware Kit - Required.....	1012.00

1603 Barrier Gate / Auto-Spikes

Magnetic Limits

1603

- Magnetic Limits
- Plug-in Loop Detector Ports
- Gate Tracker Data Output
- Up input memory buffer
- Down memory buffer
- Built-in power and operate switches
- Two convenience outlets
- Left or right hand mount
- Galvanized steel housing
- 90° in approximately 1.5 sec.



Model	Mount Options	Class of Operation ¹	Voltage ²	HP	Power Outlets	Cycles / Day	Loop Ports ³	Arm Type	Maximum Length	Fold Option ⁴	Breakaway Option	Lighted Option
1603	Left or Right	II, III, IV	115 208 230 460 575 VAC	1/2	2	Continuous	2	Aluminum	14 Ft. 4.27 m	Yes	Yes	Yes
								Wood	14 Ft. 4.27 m	Yes	No	No
								Plastic	12 Ft. 3.66 m	Yes	No	No

1. II = Commercial; III = Limited Access; IV = Restricted Access.
2. High voltage kit (P/N 2600-266) required for 208 Volt and higher.
3. Plug-in loop detector ports; up loop and down loop. DoorKing plug-in loop detectors only.
4. Maximum arm length using the fold option is 12 Ft. (3.66 m).

1603 Barrier Gate / Auto-Spikes

Magnetic Limits

Choose an Operator

1603-180 1/2 HP	4756.00
1603-181 1/2 HP w/COO ¹	5742.00
<i>1. Convenience Open Option provides a method to raise the arm when AC power has failed.</i>	

High Voltage

2600-266 High Voltage Kit	640.00
<i>Allows the operator to be powered from 208, 230, 460 or 575 VAC source voltage.</i>	

Choose Entrapment Protection (required) Devices

Use Type B1 (non-contact) and/or Type B2 (contact) entrapment protection devices to protect all areas where the risk of entrapment exist - see pages 42-43.

Loops and Loop Detectors

See page 42 for a complete list of all loop detectors, prefabricated loops and loop accessories available.

Warning Sign - Required

1615-081 Auto-Spike Warning Sign.....	1166.00
<i>Illuminated warning sign MUST be used with the auto-spike system. Warning sign mounts on a 3.5 in (89 mm) post.</i>	

Traffic Signal - Recommended

1603-210	1096.00
----------------	---------

Surge Suppression

1879-080 High Voltage (120 VAC).....	156.00
--------------------------------------	--------

Backup Power Inverters

1000-083 1000 Watt, Pure Sine Wave	2148.00
1000-045 Inverter Post Mount Kit	270.00

Includes two (2) 35 AH SLA batteries and can power up to two ½ HP operators or one (1) 1 HP operator. This version is suitable to be used with all brands of gate operators. See page 46 for more information.

Aluminum Arm – Standard

1601-242 Hardware Kit - Required.....	172.00
<i>Choose one arm from below</i>	
1601-516 Arm 14 Ft (4.27 m)	324.00
1601-524 Arm 14 Ft (4.27 m), 2-Piece ¹	392.00
1601-610 Arm Folding 12 Ft (3.66 m).....	532.00
<i>1. Ships in 7-ft (2.13 m) long box to reduce shipping cost.</i>	

Aluminum Arm – LED Lighted

1601-242 Hardware Kit - Required.....	172.00
1601-535 Power Harness – Required	164.00
<i>Choose one arm from below</i>	
1601-518 Arm 14 Ft (4.27 m) Lighted.....	580.00
1601-600 Arm Folding Lighted 12 Ft (3.66 m)	1004.00

Spike Components

1603-168 Drive Ext 18 in (457 mm) - Required	1134.00
<i>Choose spike components from below</i>	
1603-165 Spike Section 3 Ft (0.91 m)	2022.00
1603-170 Tunnel Extension 18 in (457 mm).....	1134.00
1610-240 End Cap	446.00

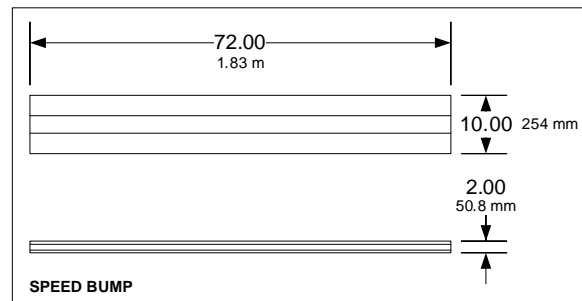
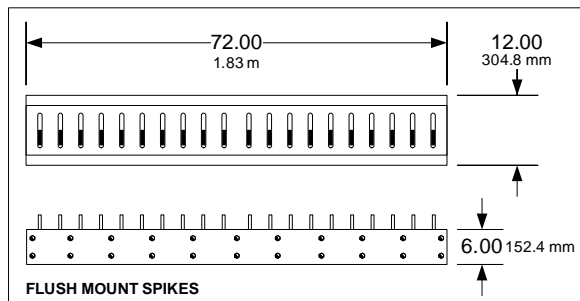
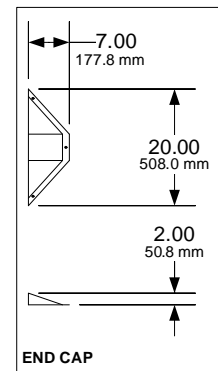
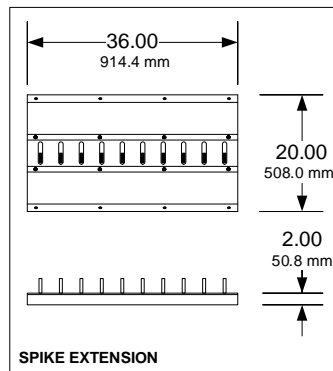
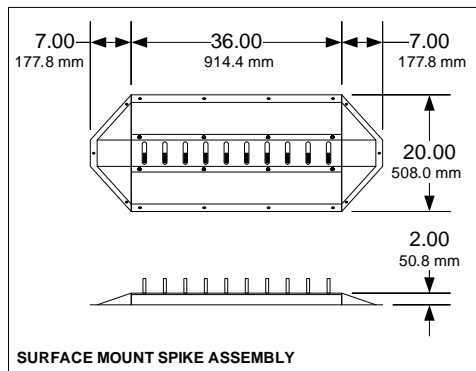
Accessories

1601-281 Arm Hub Cover ¹	95.42
1615-081 Warning Sign ²	1166.00
1603-210 Traffic Signal & Mount Kit	1096.00
1601-092 Heater Kit ³	270.00
1601-093 Fan Kit ⁴	270.00
1601-270 Manual Crank Kit.....	278.00

- 1. Arm hub cover is included with the 1603 operator. Shown here for replacement purposes only.*
- 2. Warning sign advises drivers that a one-way lane condition exist and must be installed with the auto-spike system.*
- 3. Use if temperature routinely falls below 10°F (-12°C).*
- 4. Use in hot, humid environments.*

Model 1610

Stand-Alone Traffic Control Spikes

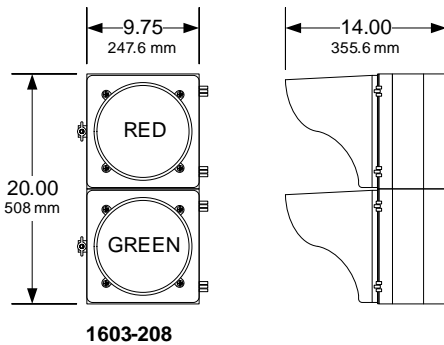
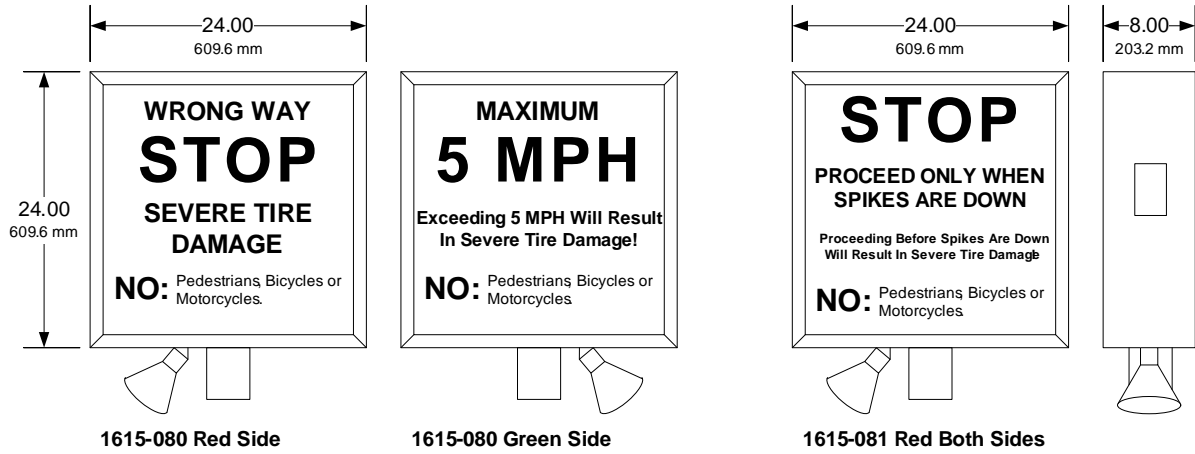


Surface Mount Spikes	
1610-088 Assembly	3252.00
1610-087 Extension	2290.00
1610-240 End Cap.....	446.00
1610-010 Lock Down Tool	170.00
<ul style="list-style-type: none"> Surface mount spikes use spring retraction and have a lock down feature (requires 1610-010). 1610-088 assembly includes one (1) 1610-087 and two (2) 1610-240. 	
Speed Bump	
1610-150 Speed Bump	390.00
Warning Sign - Required	
1615-080 Warning Sign	1166.00
<ul style="list-style-type: none"> Warning signs are mandatory when spike systems are installed. See next page for more options. 	

Flush Mount Spikes	
1610-080 Spring Retraction	1626.00
1610-090 Spring Retraction HD ¹	1926.00
1610-081 Weighted Retraction.....	1626.00
1610-091 Weighted Retraction HD ¹	1926.00
Flush Mount Spikes with Lock-Down Feature	
1610-082 Spring Retraction ²	1896.00
1610-092 Spring Retraction HD ^{1,2}	2196.00
1610-083 Weighted Retraction ³	1896.00
1610-093 Weighted Retraction HD ^{1,3}	2196.00
1. HD = Heavy-duty, ¼ in (6 mm) top plate. 2. Includes 1610-012 lock-down tool. 3. Includes 1610-013 lock-down tool	
Replacement Lock-Down Tools	
1610-012 Use with Spring Retraction spikes.....	84.28
1610-013 Use with Weighted Retraction spikes	138.00

Traffic Control

Warning Sign, Traffic Signal



Illuminated Warning Signs	
1615-080.....	1166.00
1615-082 (Spanish)	1166.00
<ul style="list-style-type: none"> Use these signs with surface and flush mount spike systems. Signs mount on a 3.5 in (89 mm) post. 	
Illuminated Auto-Spike Warning Sign	
1615-081.....	1166.00
<ul style="list-style-type: none"> Use this sign with the 1603 auto-spike system. Sign mounts on a 3.5 in (89 mm) post. 	
Replacement Components	
1615-022 LED T8 Tube, 12W, 700 Lumens.....	73.08
1615-023 LED Flood Lamp, 9W, 655 Lumens.....	128.00
1615-032 RED panel.....	144.00
1615-034 GREEN panel.....	144.00
1615-035 RED Auto-spike panel	144.00

Traffic Signal	
1603-208.....	932.00
1603-210 ¹	1096.00
1. Same as 1603-208 with mounting post kit for the 1603 auto-spike system.	
Replacement Components	
1603-550 LED Bulb, 10W, 1300 Lumens.....	27.52

Overhead / Barrier Operator Parts & Replacement Items

Miscellaneous Parts & Accessories

Circuit Boards

1601-010	638.00
Used in models 1601, 1602 and 1603	
4405-018	638.00
Used in model 1175	
1473-121 Convenience Open kit.....	348.00
Used in pre-2016 models 1150, 1601, 1602 and 1603	

Replacement Barrier Arms Yellow/Black Marking (These arms ARE NOT MUTCD compliant)

1601-048 Wood Arm 14 Ft (4.27 m)	218.00
1601-084 Folding Wood Arm.....	412.00
1601-271 Plastic Arm 12 Ft (3.66 m).....	122.00
1601-083 Folding Plastic Arm	412.00
1601-216 Aluminum Arm 14 Ft (4.27 m)	288.00
1601-310 Folding Aluminum Arm.....	506.00
1602-040 3-Piece, 20 Ft (6.09 m) wood	452.00
1602-041 Hardware Kit for 1602-040	1012.00

Spike System Replacement Components

1610-031	12.04
Replacement spring for 1610-080 spike set	
1610-030	31.30
Replacement spike for 1610-080 spike set	
1610-035	31.30
Replacement spike for 1610-083 spike set	
1610-037	31.30
Spike spring lockdown assembly	
1610-045	30.34
Spike, weighted assembly	

Barrier Operator Replacement Parts

1601-281	95.42
Barrier arm hub cover - white	
1601-283	95.42
Barrier arm hub cover - gray	
2599-101	21.34
Replacement Warning Sign	
1601-069	42.14
Wood arm mounting bracket	
1601-068	62.24
Plastic arm mounting bracket	
1601-202	74.98
Aluminum arm mounting bracket	
1601-079	144.00
Arm mounting hub	
1801-009	91.52
12 Volt, 3 AH replacement battery	

Warning Sign Replacement Components

1615-032	144.00
Warning sign replacement panel – RED (use with 1610-080 warning sign)	
1615-034	144.00
Warning sign replacement panel – GREEN (use with 1610-080 warning sign)	
1615-035	144.00
Auto-spike warning sign replacement panel (use with 1610-081 warning sign)	
1615-038	144.00
Warning Sign panel – Entrapment Alert	
1615-022	73.08
T8 LED Tube Lamp, 12 Watt, 700 Lumens (warning sign replacement bulbs)	
1615-023	128.00
LED Flood Lamp, 9 Watt, 655 Lumens	
1603-550	27.52
LED Bulb 10W, 1300 Lumens (traffic signal replacement bulb)	

Blank Page

6005, 6003, 6004, 6400 Operators

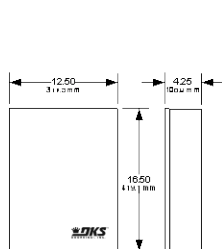
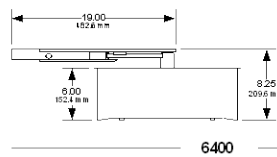
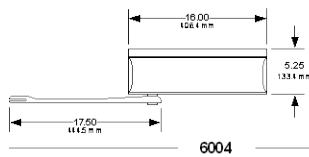
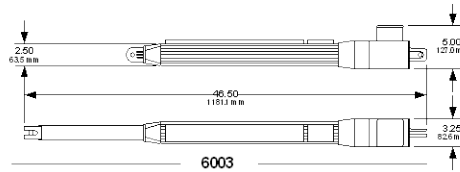
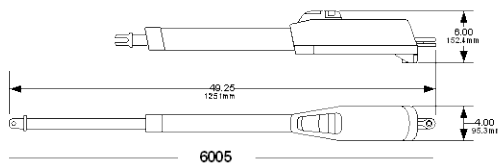
Residential

Operators

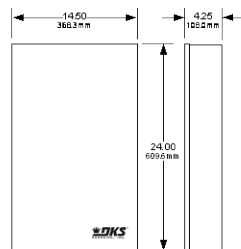
- 24 VDC continuous duty motor
- Built-in magnetic limit switches
- Slow-Start / Slow-Stop
- Small, compact designs

Control Box

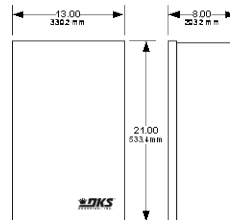
- 115 VAC or 24 VDC / Solar input power
- Includes batteries
- Single and Dual (bi-parting) gate operation
- 18 Ah or 35 Ah battery options



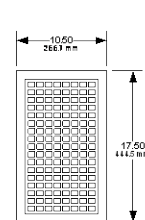
120 Volt AC
Standard Control Box



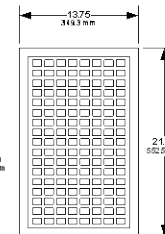
120 Volt AC
Deluxe Control Box



24 Volt DC
Solar Control Box



Solar Panel
24 VDC 10 W



Solar Panel
24 VDC 20 W

Model	Max Gate Weight ¹	Max Gate Length ¹	Max Cycles per Day ²	Maximum Cycles on Backup Power ²		
				3.5 Ah	18 Ah	35 Ah
6005	500 lbs. (227 kg)	14 ft. (4.26 m)	100	100	600	1200
6003	300 lbs. (136 kg)	10 ft. (3.05m)	100	100	600	1200
6004	500 lbs. (227 kg)	8 ft. (2.44 m)	100	100	600	1200
6400	300 lbs. (136 kg)	8 ft. (2.44 m)	100	100	600	1200

1. Assumes gate to be in good condition and swinging in a level plane.
2. Cycles shown are for single operators when solar panel(s) are not providing a charge to the batteries. Actual number of cycles will vary depending on usage, accessories connected, gate weight, operating condition of gate, temperature, geographic location, weather (cloud coverage) and charge state of the batteries.

6005, 6003, 6004, 6400 Operators

Residential

Actuators

6005-380.....	1494.00
6003-380.....	1086.00

Operators

6004-380 Column Mount.....	1626.00
6400-380 In-Ground.....	1806.00

Entrapment Protection (required)

Use Type B1 (non-contact) and/or Type B2 (contact) entrapment protection devices to protect all areas where the risk of entrapment exist - see pages 42-43.

Actuator/Operator will not run without entrapment protection device(s) connected to the controller board.

Loops and Loop Detectors

See page 42 for a complete list of all loop detectors, prefabricated loops and loop accessories available.

Flange Bearing Hinge

1200-009 3000 Lb. (1360 kg) Weight Capacity.....	152.00
--	--------

Includes mounting bracket and hardware, two required per gate (top, bottom), designed for use with 2" (50.8 mm) gate frame.

Sealed Bearing Hinge

1200-019 2000 Lb. (907 kg) Weight Capacity.....	152.00
1200-039 3000 Lb. (1360 kg) Weight Capacity.....	180.00

Includes mounting bracket and hardware, two required per gate (top, bottom), designed for use with round or square gate frames.

Torsion Rod Assembly

1203-084.....	348.00
2600-299 Additional Torsion Rods.....	122.00

Counter-balances uphill swing gates, includes top bracket, bottom bracket and one (1) torsion rod. Up to five (5) additional torsion rods can be added.

115 VAC Control Box

4302-311 Standard.....	830.00
4302-312 Deluxe.....	1000.00

Both Include two (2) 3.5 Ah batteries
Deluxe control box includes three (3) 115 VAC convenient outlets

Solar Control Box

4302-313 (No batteries).....	1000.00
4302-314 (Two 18 Ah batteries).....	1432.00
4302-315 (Two 35 Ah batteries).....	1552.00

Solar Panels

2000-076 24-Volt, 20-Watt.....	722.00
--------------------------------	--------

Use with 35 Ah batteries

2000-077 24-Volt, 10-Watt.....	364.00
--------------------------------	--------

Use with 18 Ah batteries

2000-110 Solar Panel Mount Bracket.....	61.72
---	-------

Batteries

1801-009 12-volt, 3.5 Ah.....	91.52
1801-004 12-volt, 18 Ah.....	218.00
1801-005 12-volt, 35 Ah.....	278.00

Surge Suppression

1879-080 High Voltage (120 VAC).....	156.00
--------------------------------------	--------

Bi-Parting (Dual) Gate Connection Cable

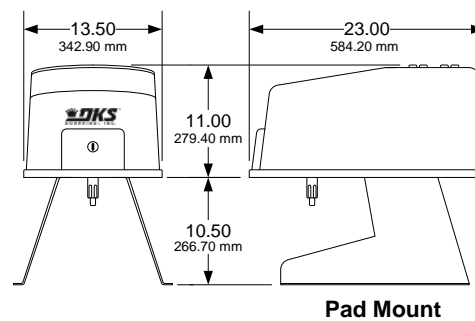
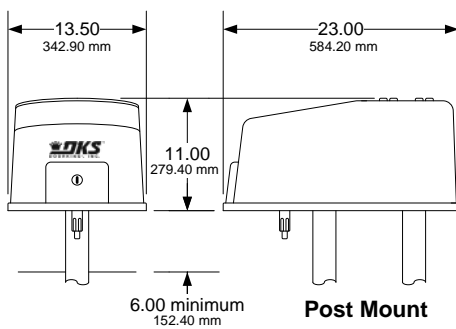
2600-755 30-Ft. (9.1 m).....	218.00
2600-756 40-Ft. (12.2 m).....	288.00
2600-757 50-Ft. (15.2 m).....	364.00
2600-754 500-Ft. (152.4 m).....	2890.00

6050 / 6100 Swing Gate Operators

Automatic Magnetic Limits

6050 / 6100

- Self-Adjusting Magnetic Limits
- Type A inherent reverse system
- Plug-in Loop Detector Ports
- Gate Tracker Data Output
- Built-in power and reset switches
- Tamper protect feature
- Polyurethane cover
- Galvanized steel frame
- Pad or Post mounted
- Opens gate 90° in approximately 12 sec.
- Magnetic lock output
- Overlap feature for bi-parting gates



Model	Maximum Gate Weight	Maximum Gate Length	Mount Options ¹	Class of Operation ²	Voltage	HP	Power Outlets	Maximum Cycles / Day	Loop Ports ⁴	Adjustable Clutch ⁵
6050	400 Lbs 181 KG	10 Ft 3.05 m	Pad / Post	I	115 VAC	1/2 ³	N/A	100	2	Yes
6100	500 Lbs 226 KG	14 Ft 4.26 m	Pad / Post	I, II	115 VAC	1/2	N/A	Continuous	2	Yes

1. Select pad or post mount hardware kit when ordering.
2. I = Residential; II = Commercial.
3. This is an intermittent duty cycle motor.
4. Plug-in loop detector ports; open and reverse. DoorKing plug-in loop detectors only.
5. Clutch is not applicable as an entrapment protection device.

6050 / 6100 Swing Gate Operators

Automatic Magnetic Limits

Step 1: Choose an Operator or Operator Set

6050-380 Primary	2554.00
6050-381 Secondary	1890.00
<i>Secondary operator includes 30 feet (9.1 m) of interconnection cable.</i>	

6100-380 Primary	2804.00
6100-381 Secondary	2144.00
<i>Secondary operator includes 40 feet (12.2 m) of interconnection cable.</i>	

Step 2: Choose a Mounting Kit (Includes Arms)

2600-671 Pad Mount Kit	554.00
2600-674 Post Mount Kit	458.00

Step 3: Choose Entrapment Protection (required) Devices

Use Type B1 (non-contact) and/or Type B2 (contact) entrapment protection devices to protect all areas where the risk of entrapment exist - see pages 42-43.

Operator will not run without entrapment protection device(s) connected to the controller board.

Loops and Loop Detectors

See page 42 for a complete list of all loop detectors, prefabricated loops and loop accessories available.

Post Mount Base Plate

2600-664	212.00
<i>Use to mount 6050 and 6100 operators onto an existing concrete pad.</i>	

Surge Suppression

1879-080 High Voltage (120 VAC)	156.00
---------------------------------------	--------

Heater Kit

1601-154 120 VAC	484.00
<i>Use if temperature routinely falls below 10°F (-12°C).</i>	

Backup Power Inverters

1000-083 1000 Watt, Pure Sine Wave	2148.00
1000-045 Inverter Post Mount Kit	270.00
<i>Includes two (2) 35 AH SLA batteries and can power up to two ½ HP operators or one (1) 1 HP operator. This version is suitable to be used with all brands of gate operators. See page 46 for more information.</i>	

Bi-Parting (Dual) Gate Interconnection Cable

2600-755 30-Ft. (9.1 m)	218.00
2600-756 40-Ft. (12.2 m)	288.00
2600-757 50-Ft. (15.2 m)	364.00
2600-754 500-Ft. (152.4 m)	2890.00

Flange Bearing Hinge

1200-009 3000 Lb. (1360 kg) Weight Capacity	152.00
<i>Includes mounting bracket and hardware, two required per gate (top, bottom), designed for use with 2" (50.8 mm) gate frame.</i>	

Sealed Bearing Hinge

1200-019 2000 Lb. (907 kg) Weight Capacity	152.00
1200-039 3000 Lb. (1360 kg) Weight Capacity	180.00
<i>Includes mounting bracket and hardware, two required per gate (top, bottom), designed for use with round or square gate frames.</i>	

Uphill Arm Pivot Assembly

6500-490	240.00
<i>Use with 1203-084 Torsion Rod Assembly.</i>	

Torsion Rod Assembly

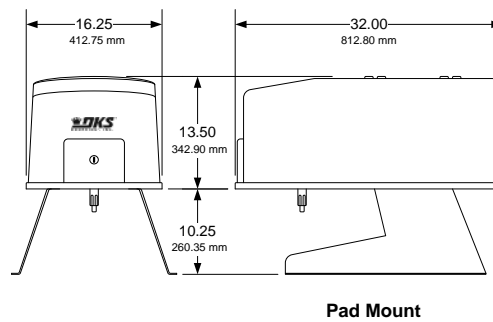
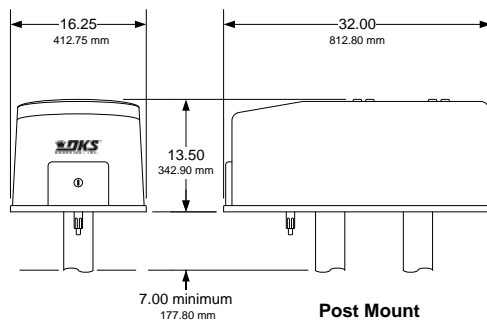
1203-084	348.00
2600-299 Additional Torsion Rods	122.00
<i>Counter-balances uphill swing gates, includes top bracket, bottom bracket and one (1) torsion rod. Up to five (5) additional torsion rods can be added.</i>	

6300 Swing Gate Operators

Automatic Magnetic Limits

6300

- Self-Adjusting Magnetic Limits
- Type A inherent reverse system
- Plug-in Loop Detector Ports
- Gate Tracker Data Output
- Built-in power and reset switches
- Tamper protect feature
- Polyurethane cover
- Galvanized steel frame
- Pad or Post mounted
- Opens gate 90° in approximately 16 sec.
- Magnetic lock output
- Overlap feature for bi-parting gates



Model	Maximum Gate Weight	Maximum Gate Length	Mount Options ¹	Class of Operation ²	Voltage ³	HP	Power Outlets	Maximum Cycles / Day	Loop Ports ³	Adjustable Clutch ⁴
6300	700 Lbs 317 KG	18 Ft 5.48 m	Pad / Post	I, II, III, IV	115 208 230 460 575 VAC	1/2	2	Continuous	2	Yes
6300	800 Lbs 362 KG	22 Ft 6.70 m	Pad / Post	I, II, III, IV	115 208 230 460 575 VAC	1	2	Continuous	2	Yes

1. Select pad or post mount hardware kit when ordering.
2. I = Residential; II = Commercial; III = Limited Access; IV = Restricted Access
3. High voltage kit (P/N 2600-266) required for 208 Volt and higher.
4. Plug-in loop detector ports; open and reverse. DoorKing plug-in loop detectors only.
5. Clutch is not applicable as an entrapment protection device.

6300 Swing Gate Operators

Automatic Magnetic Limits

Step 1: Choose an Operator or Operator Set

6300-380 Primary ½ HP.....	3130.00
6300-381 Secondary ½ HP	2528.00
6300-384 Primary 1 HP	3768.00
6300-385 Secondary 1 HP	3108.00

Secondary operators includes 50 feet (15.2 m) of interconnection cable.

High Voltage Kit

2600-266.....	640.00
---------------	--------

Allows the operator to be powered from 208, 230, 460 or 575 VAC source voltage. In dual gate applications, only one (1) kit is required.

Step 2: Choose a Mounting Kit (Includes Arms)

2600-264 Pad Mount Kit	712.00
2600-263 Post Mount Kit	712.00

Step 3: Choose Entrapment Protection (required) Devices

Use Type B1 (non-contact) and/or Type B2 (contact) entrapment protection devices to protect all areas where the risk of entrapment exist - see pages 42-43.

Operator will not run without entrapment protection device(s) connected to the controller board.

Loops and Loop Detectors

See page 42 for a complete list of all loop detectors, prefabricated loops and loop accessories available.

Surge Suppression

1879-080 High Voltage (120 VAC).....	156.00
--------------------------------------	--------

Heater Kit

1601-154 120 VAC.....	484.00
1601-197 208 / 230 VAC	1012.00
1601-198 460 VAC.....	1012.00

Use if temperature routinely falls below 10°F (-12°C).

Backup Power Inverters

1000-083 1000 Watt, Pure Sine Wave	2148.00
1000-045 Inverter Post Mount Kit.....	270.00

Includes two (2) 35 AH SLA batteries and can power up to two ½ HP operators or one (1) 1 HP operator. This version is suitable to be used with all brands of gate operators. See page 46 for more information.

Bi-Parting (Dual) Gate Interconnection Cable

2600-755 30-Ft. (9.1 m).....	218.00
2600-756 40-Ft. (12.2 m).....	288.00
2600-757 50-Ft. (15.2 m).....	364.00
2600-754 500-Ft. (152.4 m).....	2890.00

Flange Bearing Hinge

1200-009 3000 Lb. (1360 kg) Weight Capacity	152.00
---	--------

Includes mounting bracket and hardware, two required per gate (top, bottom), designed for use with 2" (50.8 mm) gate frame.

Sealed Bearing Hinge

1200-019 2000 Lb. (907 kg) Weight Capacity	152.00
1200-039 3000 Lb. (1360 kg) Weight Capacity	180.00

Includes mounting bracket and hardware, two required per gate (top, bottom), designed for use with round or square gate frames.

Uphill Arm Pivot Assembly

6500-490	240.00
----------------	--------

Use with 1203-084 Torsion Rod Assembly.

Torsion Rod Assembly

1203-084	348.00
2600-299 Additional Torsion Rods	122.00

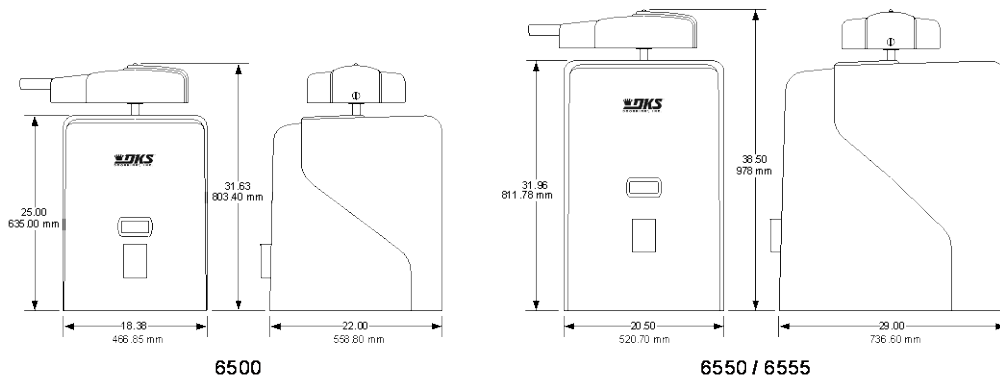
Counter-balances uphill swing gates, includes top bracket, bottom bracket and one (1) torsion rod. Up to five (5) additional torsion rods can be added.

6500 / 6550⁵ / 6555⁵ Swing Gate Operators

Adjustable Limit Swing Gate Operators

6500 / 6550⁵ / 6555⁵

- Adjustable Magnetic Limits
- Type A inherent reverse system
- Plug-in Loop Detector Ports
- Gate Tracker Data Output
- Built-in power and reset switches
- Polyurethane cover
- Galvanized steel frame
- Opens gate 90° in approximately 16 sec.
- Magnetic lock output
- Overlap feature for bi-parting gates



Model	Maximum Gate Weight	Maximum Gate Length	Mount	Class of Operation ¹	Voltage ²	HP	Power Outlets	Maximum Cycles / Day	Loop Ports ²	Adjustable Clutch
6500	700 Lbs 317 KG	18 Ft 5.48 m	Pad	I, II, III, IV	115 208 230 460 575 VAC	1/2	2	Continuous	2	No
6500	800 Lbs 362 KG	22 Ft 6.70 m	Pad	I, II, III, IV	115 208 230 460 575 VAC	1	2	Continuous	2	No
6550 ⁵	2000 Lbs 907 KG	25 Ft 7.62 m	Pad	II, III, IV	115 208 230 460 575 VAC	1	2	Continuous	2	No
6555 ^{4,5}	2000 Lbs 907 KG	25 Ft 7.62 m	Pad	II, III, IV	230 VAC	1	2	Continuous	2	No

1. I = Residential; II = Commercial; III = Limited Access; IV = Restricted Access
2. High voltage kit (P/N 2600-266) required for 208 Volt and higher.
3. Plug-in loop detector ports; open and reverse. DoorKing plug-in loop detectors only.
4. This operator has a variable speed drive.
5. Models 6550 and 6555 are not listed to the UL 325 standard at this time.

6500 / 6550 / 6555 Swing Gate Operators

Adjustable Limit Swing Gate Operators

Step 1: Choose an Operator or Operator Set

6500-380 Primary ½ HP.....	3928.00
6500-381 Secondary ½ HP	3252.00
<i>Secondary operator includes 50 feet (15.2 m) of interconnection cable.</i>	
6500-384 Primary 1 HP	4490.00
6500-385 Secondary 1 HP	3928.00
<i>Secondary operator includes 50 feet (15.2 m) of interconnection cable.</i>	
6550-380 Primary 1 HP	6178.00
6550-384 Secondary 1 HP	5538.00
<i>Secondary operator includes 50 feet (15.2 m) of interconnection cable. Model 6550 is not listed to UL 325 at this time.</i>	
6555-381 Primary 1 HP 230 VAC Variable Speed	8830.00
<i>Model 6555 is not listed to UL 325 at this time.</i>	

High Voltage Kit

2600-266.....	640.00
<i>Allows the operator to be powered from 208, 230, 460 or 575 VAC source voltage. In dual gate applications, only one (1) kit is required. Not available on 6555-081 operator.</i>	

Step 2: Choose Entrapment Protection (required) Devices

Use Type B1 (non-contact) and/or Type B2 (contact) entrapment protection devices to protect all areas where the risk of entrapment exist - see pages 42-43.

Operator will not run without entrapment protection device(s) connected to the controller board.

Loops and Loop Detectors

See page 42 for a complete list of all loop detectors, prefabricated loops and loop accessories available.

Surge Suppression

1879-080 High Voltage (120 VAC).....	156.00
--------------------------------------	--------

Heater Kit

1601-154 120 VAC	484.00
1601-197 208 / 230 VAC	1012.00
1601-198 460 VAC	1012.00
<i>Use if temperature routinely falls below 10°F (-12°C).</i>	

Backup Power Inverters

1000-083 1000 Watt, Pure Sine Wave	2148.00
1000-045 Inverter Post Mount Kit.....	270.00
<i>Includes two (2) 35 AH SLA batteries and can power up to two ½ HP operators or one (1) 1 HP operator. This version is suitable to be used with all brands of gate operators. See page 46 for more information.</i>	

Bi-Parting (Dual) Gate Interconnection Cable

2600-755 30-Ft. (9.1 m).....	218.00
2600-756 40-Ft. (12.2 m).....	288.00
2600-757 50-Ft. (15.2 m).....	364.00
2600-754 500-Ft. (152.4 m).....	2890.00

Flange Bearing Hinge

1200-009 3000 Lb. (1360 kg) Weight Capacity	152.00
<i>Includes mounting bracket and hardware, two required per gate (top, bottom), designed for use with 2" (50.8 mm) gate frame.</i>	

Sealed Bearing Hinge

1200-019 2000 Lb. (907 kg) Weight Capacity	152.00
1200-039 3000 Lb. (1360 kg) Weight Capacity	180.00
<i>Includes mounting bracket and hardware, two required per gate (top, bottom), designed for use with round or square gate frames.</i>	

Uphill Arm Pivot Assembly

6500-490	240.00
<i>Use with 6500 operator and 1203-084 Torsion Rod Assembly.</i>	
6550-490	240.00
<i>Use with 6550 operator and 1203-084 Torsion Rod Assembly.</i>	

Torsion Rod Assembly

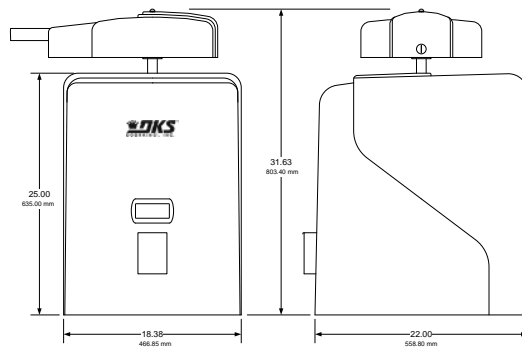
1203-084	348.00
2600-299 Additional Torsion Rods	122.00
<i>Counter-balances uphill swing gates, includes top bracket, bottom bracket and one (1) torsion rod. Up to five (5) additional torsion rods can be added.</i>	

6524 DC Swing Gate Operator

Adjustable Limit Swing Gate Operator

6524

- Input 115/230 VAC or 24 VDC (Solar)
- Adjustable Magnetic Limits
- Plug-in Loop Detector Ports
- Gate Tracker Data Output
- Built-in power and reset switches
- Built-in Battery Backup
- Galvanized steel frame
- Opens gate 90° in approximately 16 sec.
- Magnetic lock output
- Overlap feature for bi-parting gates



Model	Maximum Gate Weight	Maximum Gate Length	Mount	Class of Operation ¹	Voltage	HP	Power Outlets	Maximum Cycles / Day	Loop Ports ²	Adjustable Clutch
6524	800 Lbs 362 KG	16 Ft 4.88 m	Pad	I, II, III, IV	115/230 VAC	1/2	2	Continuous ^{3,4}	2	No
6524 ⁵	800 Lbs 362 KG	16 Ft 4.88 m	Pad	I, II, III, IV	24 VDC (Solar)	1/2	0	Up to 150 ⁴	2	No

1. I = Residential; II = Commercial; III = Limited Access; IV = Restricted Access
2. Plug-in loop detector ports; open and reverse. DoorKing plug-in loop detectors only.
3. Continuous operation is when AC power is present. Operation on battery backup (7.5 Ah batteries) is limited to approximately 40 cycles.
4. Up to 150 cycles with 18 Ah batteries. Actual number of cycles will vary depending on usage, accessories connected, gate weight, operating condition of gate, temperature and charge state of the batteries. Charge state of batteries is affected by geographical location of the product when using solar to recharge the batteries.
5. Solar powered operators will not support bi-parting (dual) gate operation.

6524 DC Swing Gate Operators

Adjustable Limit Swing Gate Operator

Step 1: Choose an Operator

6524-380 115/230 VAC 3508.00
Includes two 7.5 Ah batteries for limited backup operation. Order 18 Ah batteries to extend the backup operation cycles.
Includes 50 feet (15 m) of RS 485 interconnection cable for bi-parting (dual) gate operation.

6524-381 24 VDC (Solar) 3298.00
24 VDC solar input power only (supply your own batteries and solar charging system or use DKS solar kit).
Solar powered operators will not support bi-parting (dual) gate operation.

Step 2: Choose Entrapment Protection (required) Devices

Use Type B1 (non-contact) and/or Type B2 (contact) entrapment protection devices to protect all areas where the risk of entrapment exist - see pages 42-43.

Operator will not run without entrapment protection device(s) connected to the controller board.

Battery / Solar Options

1801-004 12-Volt, 18 Ah Battery¹ 218.00
2000-077 24-Volt, 10 Watt Solar Panel 364.00
2000-070 Solar Kit² 850.00
1. Two required for 24 Volt operation.
2. Kit includes two (2) 18 Ah batteries, 10 Watt solar panel and bracket.

Loops and Loop Detectors

See page 42 for a complete list of all loop detectors, prefabricated loops and loop accessories available.

Surge Suppression

1879-080 High Voltage (120 VAC) 156.00

Heater Kit

6500-480 120 VAC 554.00
1601-197 208 / 230 VAC 1012.00
Use if temperature routinely falls below 10°F (-12°C). Cannot be used with solar powered operators.

Backup Power Inverters

1000-083 1000 Watt, Pure Sine Wave 2148.00
1000-045 Inverter Post Mount Kit 270.00
Includes two (2) 35 AH SLA batteries and can power up to two ½ HP operators or one (1) 1 HP operator. This version is suitable to be used with all brands of gate operators. See page 46 for more information.

Bi-Parting (Dual) Gate Interconnection Cable

2600-755 30-Ft. (9.1 m) 218.00
2600-756 40-Ft. (12.2 m) 288.00
2600-757 50-Ft. (15.2 m) 364.00
2600-754 500-Ft. (152.4 m) 2890.00

Flange Bearing Hinge

1200-009 3000 Lb. (1360 kg) Weight Capacity 152.00
Includes mounting bracket and hardware, two required per gate (top, bottom), designed for use with 2" (50.8 mm) gate frame.

Sealed Bearing Hinge

1200-019 2000 Lb. (907 kg) Weight Capacity 152.00
1200-039 3000 Lb. (1360 kg) Weight Capacity 180.00
Includes mounting bracket and hardware, two required per gate (top, bottom), designed for use with round or square gate frames.

Uphill Arm Pivot Assembly

6500-490 240.00
Use with 1203-084 Torsion Rod Assembly.

Torsion Rod Assembly

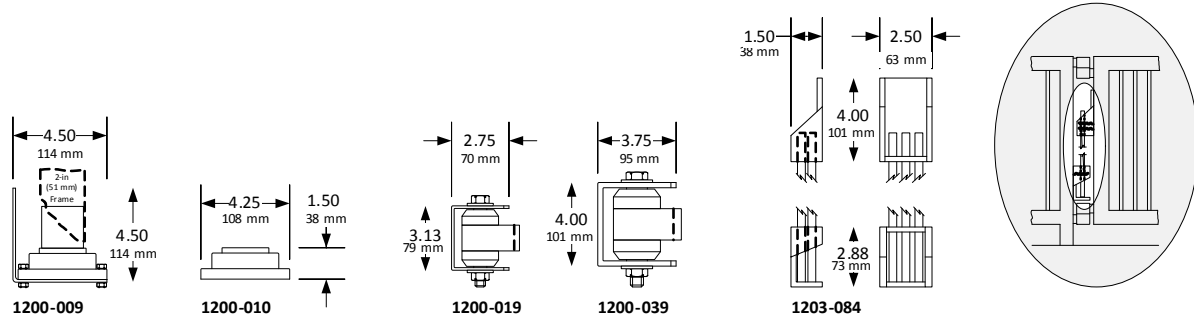
1203-084 348.00
2600-299 Additional Torsion Rods 122.00
Counter-balances uphill swing gates, includes top bracket, bottom bracket and one (1) torsion rod. Up to five (5) additional torsion rods can be added.

Bi-Parting (Dual) Gate Interconnection Cable RS 485

9024-136 50-Ft. (15 m) 42.00
9024-137 984-Ft. (300 m) 662.00

Swing Gate Accessories

Hinges, Torsion Rod Counter-Balance



Flange Bearing Hinge

1200-009 3000 Lb. (1360 Kg) weight capacity152.00
 1200-010 Replacement bearing.....91.74

- Designed for use with 2 inch (51 mm) gate frame.
- Includes mounting bracket and hardware.
- Zert grease fitting.
- Two required (top, bottom) per gate.

Sealed Bearing Hinge

1200-019 2000 Lb. (907 Kg) weight capacity152.00
 1200-039 3000 Lb. (1360 Kg) weight capacity180.00

- Designed for use with round or square gate frame.
- Includes mounting bracket and hardware.
- Two required (top, bottom) per gate.

Torsion Rod Counter-Balance Assembly

1203-084¹ Torsion Rod Assembly348.00
 2600-299² Torsion Rods.....122.00

1. Includes one (1) 2600-299 torsion rod.
2. Up to five (5) additional rods can be added to the 1203-084 assembly.

Swing Gate Operator Parts & Accessories

Miscellaneous Parts & Accessories

Circuit Boards	
4100-018	542.00
Used in model 6524	
4302-018	602.00
Used in models 6005, 6003, 6004 and 6400	
4405-018	638.00
Used in model 6500, 6550	
4502-018	638.00
Used in models 6050, 6100 and 6300	

Base Plate, Mounting Pipes, Pivot Arm	
2600-664 Concrete Base Plate	180.00
Use to mount the 6050 or 6100 post mount operators onto an existing concrete pad	
6500-490 Uphill Arm Pivot Assembly	240.00
Use with 6050, 6100, 6300 and 6500 operators when the gate opens on an uphill or downhill slope. Should be used with 1203-084 Torsion Rod Assembly.	
6550-490 Uphill Arm Pivot Assembly	240.00
Use with 6550 operator when the gate opens on an uphill or downhill slope. Should be used with 1203-084 Torsion Rod Assembly.	
Bi-Parting Connection Cable	
2600-754 Primary / Secondary Cable	2890.00
500-ft (152.4 m) roll	

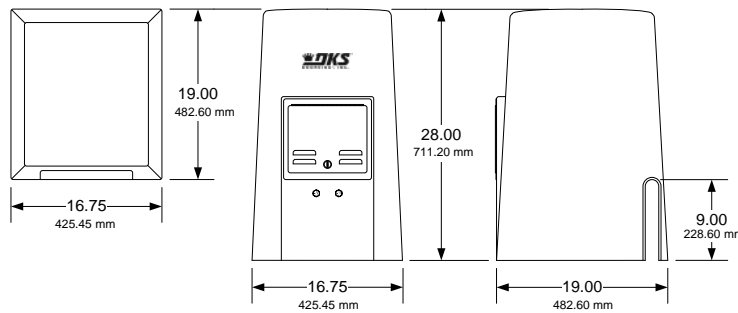
Batteries	
1801-009 Battery	91.52
12 Volt, 3.5 Amp Hour	
1801-004 Battery	218.00
12 Volt, 18 Amp Hour	
1801-005 Battery	278.00
12 Volt, 35 Amp Hour	

9000 Slide Gate Operators

Adjustable Limit Slide Gate Operator

9000

- Adjustable Limits
- Plug-in Loop Detector Ports
- Built-in power and reset switches
- Two 115 VAC convenience outlets
- Selectable stop/ reverse function
- 30:1 Gear Reducer Drive Train
- Steel frame
- Polyurethane cover
- 20-Foot (6 m) #40 Chain
- Gate tracker data output



Model	Maximum Gate Weight	Maximum Gate Length	Mount	Class of Operation ¹	Voltage ²	HP	Power Outlets	Maximum Cycles / Day	Loop Ports ²	Adjustable Clutch
9000	1000 Lbs 453 KG	35 Ft 10.7 m	Pad or Post ⁴	I, II	115 208 230 460 575 VAC	1/2	2	Continuous	2	No
9000	1500 Lbs 680 KG	35 Ft 10.7 m	Pad or Post ³	I, II, III, IV	115 208 230 460 575 VAC	1	2	Continuous	2	No

1. I = Residential; II = Commercial; III = Limited Access; IV = Restricted Access.
2. High voltage kit (P/N 2600-266) required for 208 Volt and higher.
3. Plug-in loop detector ports; open and reverse. DoorKing plug-in loop detectors only.
3. Requires post mounting kit.

9000 Slide Gate Operators

Choose an Operator

9000-380 ½ HP Primary 115 VAC	3420.00
9000-381 ½ HP Secondary 115 VAC	2818.00
9000-385 1 HP Primary 115 VAC	4264.00
9000-386 1 HP Secondary 115 VAC	3540.00

High Voltage

2600-266 High Voltage Kit	640.00
---------------------------------	--------

Allows the operator to be powered from 208, 230, 460 or 575 VAC source voltage.

Choose Entrapment Protection (required) Devices

Use Type B1 (non-contact) and/or Type B2 (contact) entrapment protection devices to protect all areas where the risk of entrapment exist - see pages 42-43.

Operator will not run without entrapment protection device(s) connected to the controller board.

Loops and Loop Detectors

See page 42 for a complete list of all loop detectors, prefabricated loops and loop accessories available.

Surge Suppression

1879-080 High Voltage (120 VAC)	156.00
---------------------------------------	--------

Accessories

9000-015 Post Mount Kit ¹	662.00
2600-961 Chain Link Fence Gate Bracket	81.88
1601-154 Heater Kit 120 VAC ²	484.00
1601-197 Heater Kit 208/230 VAC ²	1012.00
1601-198 Heater Kit 480 VAC ²	1012.00

1. Includes base plate, mounting posts and hardware.
2. Use if temperature routinely falls below 10°F (-12°C).

Chain

2600-442 #40 Chain, 20-Ft (6 m)	156.00
---------------------------------------	--------

Adjustable Limit Slide Gate Operator

Backup Power Inverters

1000-083 1000 Watt, Pure Sine Wave	2148.00
1000-045 Inverter Post Mount Kit	270.00

Includes two (2) 35 AH SLA batteries and can power up to two ½ HP operators or one (1) 1 HP operator. This version is suitable to be used with all brands of gate operators. See page 46 for more information.

Bi-Parting (Dual) Gate Interconnection Cable

2600-755 30-Ft. (9.1 m)	218.00
2600-756 40-Ft. (12.2 m)	288.00
2600-757 50-Ft. (15.2 m)	364.00
2600-754 500-Ft. (152.4 m)	2890.00

Guarded Guide Rollers & Bracket Assembly

1204-120 Single 3-in (76.2 mm)	78.26
1204-122 Dual 3-in (76.2 mm)	138.00
1204-121 Single 6-in (152.4 mm)	96.30
1204-123 Dual 6-in (152.4 mm)	170.00
1204-005 Replacement Roller 3-in (76.2 mm)	18.06

See page 37 for more information.

V-Wheels - Max Gate Weight

1201-102 UHMW 4-in (101.6 mm) 500 lb. (227 kg)	79.46
1201-105 UHMW 4-in (101.6 mm) 750 lb. (340 kg)	108.00
1201-117 Steel 4-in (101.6 mm) 1500 lb. (680 kg)	144.00

See page 36 for more information.

V-Wheels Tandem – Max Gate Weight

1201-012 UHMW 4-in (101.6 mm) 1500 lb. (680 kg)	204.00
1201-010 Steel 4-in (101.6 mm) 3000 lb. (1360 kg)	364.00
1201-210 Steel 6-in (152.4 mm) 5000 lb. (2268 kg)	532.00

See page 36 for more information.

Chain Idler Assembly

2600-818	102.34
----------------	--------

Use with rear-mounted operators.

End Catch

1204-004	60.18
----------------	-------

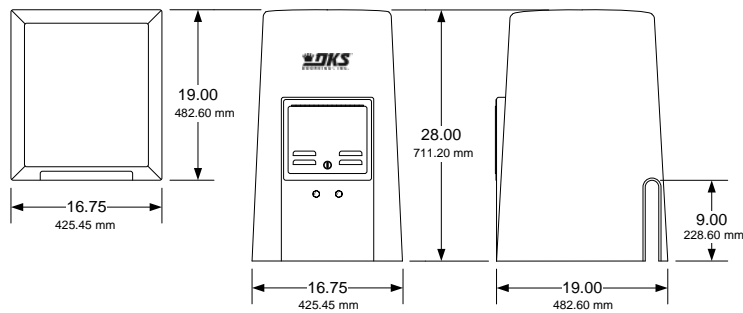
Designed for gates with 2-inch (50.8 mm) frame.

9024 DC Slide Gate Operator

Adjustable Limit Slide Gate Operator

9024

- Input 115/230 VAC or 24 VDC (Solar)
- Adjustable Limits
- Plug-in Loop Detector Ports
- Gate Tracker Data Output
- Built-in power and reset switches
- 20-Foot (6 m) #40 Chain
- 30:1 Gear Reducer Drive Train
- Built-in Battery Backup
- Galvanized steel frame
- Opens gate 90° in approximately 16 sec.
- Magnetic lock output
- Overlap feature for bi-parting gates



Model	Maximum Gate Weight	Maximum Gate Length	Mount	Class of Operation ¹	Voltage	HP	Power Outlets	Maximum Cycles / Day	Loop Ports ²	Adjustable Clutch
9024	1000 Lbs 453 KG	40 Ft 12.2 m	Pad or Post ⁵	I, II, III, IV	115/230 VAC	1/2	2	Continuous ^{3,4}	2	No
9024 ⁶	1000 Lbs 453 KG	40 Ft 12.2 m	Pad or Post ⁵	I, II, III, IV	24 VDC (Solar)	1/2	0	Up to 150 ⁴	2	No

1. I = Residential; II = Commercial; III = Limited Access; IV = Restricted Access
2. Plug-in loop detector ports; open and reverse. DoorKing plug-in loop detectors only.
3. Continuous operation is when AC power is present. Operation on battery backup (7.5 Ah batteries) is limited to approximately 40 cycles.
4. Up to 150 cycles with 18 Ah batteries. Actual number of cycles will vary depending on usage, accessories connected, gate weight, operating condition of gate, temperature and charge state of the batteries. Charge state of batteries is affected by geographical location of the product when using solar to recharge the batteries.
5. Requires post mounting kit.
6. Solar powered operators will not support bi-parting (dual) gate operation.

9024 DC Slide Gate Operator

Adjustable Limit Slide Gate Operator

Choose an Operator

9024-380 115/230 VAC 3066.00
Includes two 7.5 Ah batteries for limited backup operation. Order 18 Ah batteries to extend the backup operation cycles.
Includes 50 feet (15 m) of RS 485 interconnection cable for bi-parting (dual) gate operation.

9024-381 24 VDC (Solar) 2856.00
24 VDC solar input power only (supply your own batteries and solar charging system or use DKS solar kit).
Solar powered operators will not support bi-parting (dual) gate operation.

Choose Entrapment Protection (required) Devices

Use Type B1 (non-contact) and/or Type B2 (contact) entrapment protection devices to protect all areas where the risk of entrapment exist - see pages 42-43.

Operator will not run without entrapment protection device(s) connected to the controller board.

Battery / Solar Options

1801-004 12-Volt, 18 Ah Battery¹ 218.00
2000-077 24-Volt, 10 Watt Solar Panel 364.00
2000-070 Solar Kit² 850.00

1. Two required for 24 Volt operation.
2. Kit includes two (2) 18 Ah batteries, 10 Watt solar panel and bracket.

Loops and Loop Detectors

See page 42 for a complete list of all loop detectors, prefabricated loops and loop accessories available.

Surge Suppression

1879-080 High Voltage (120 VAC) 156.00

Accessories

9000-015 Post Mount Kit¹ 662.00
2600-961 Chain Link Fence Gate Bracket 81.88
1601-154 Heater Kit 120 VAC² 484.00
1601-197 Heater Kit 208/230 VAC² 1012.00

1. Includes base plate, mounting posts and hardware.
2. Use if temperature routinely falls below 10°F (-12°C).

Chain

2600-442 #40 Chain, 20-Ft (6 m) 156.00

Backup Power Inverters

1000-083 1000 Watt, Pure Sine Wave 2148.00
1000-045 Inverter Post Mount Kit 270.00
Includes two (2) 35 AH SLA batteries and can power up to two ½ HP operators or one (1) 1 HP operator. This version is suitable to be used with all brands of gate operators. See page 46 for more information.

Bi-Parting (Dual) Gate Interconnection Cable RS 485

9024-136 50-Ft. (15 m) 42.00
9024-137 984-Ft. (300 m) 662.00

Guarded Guide Rollers & Bracket Assembly

1204-120 Single 3-in (76.2 mm) 78.26
1204-122 Dual 3-in (76.2 mm) 138.00
1204-121 Single 6-in (152.4 mm) 96.30
1204-123 Dual 6-in (152.4 mm) 170.00
1204-005 Replacement Roller 3-in (76.2 mm) 18.06
See page 37 for more information.

V-Wheels - Max Gate Weight

1201-102 UHMW 4-in (101.6 mm) 500 lb. (227 kg) 79.46
1201-105 UHMW 4-in (101.6 mm) 750 lb. (340 kg) 108.00
1201-117 Steel 4-in (101.6 mm) 1500 lb. (680 kg) 144.00
See page 36 for more information.

V-Wheels Tandem – Max Gate Weight

1201-012 UHMW 4-in (101.6 mm) 1500 lb. (680 kg) 204.00
1201-010 Steel 4-in (101.6 mm) 3000 lb. (1360 kg) 364.00
1201-210 Steel 6-in (152.4 mm) 5000 lb. (2268 kg) 532.00
See page 36 for more information.

Chain Idler Assembly

2600-818 102.34
Use with rear-mounted operators.

End Catch

1204-004 60.18
Designed for gates with 2-inch (50.8 mm) frame.

9050 / 9100 Slide Gate Operators

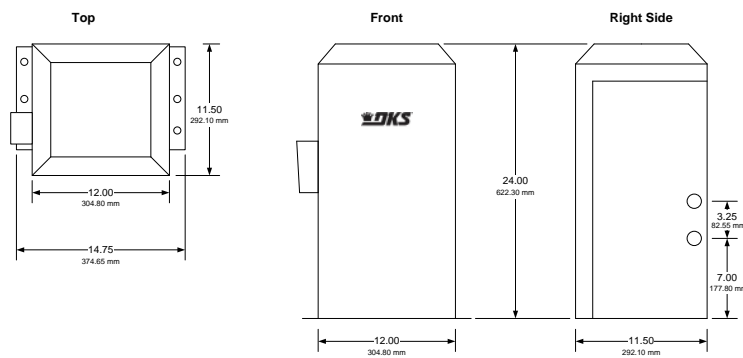
Automatic Magnetic Limits

9050 / 9100

- Self-Adjusting Magnetic Limits
- Built-in clutch
- Plug-in Loop Detector Ports
- Built-in power and reset switches
- Two 115 VAC convenience outlets
- Fail-Safe Configuration

9100

- G90 Galvanized steel frame
- Steel cover
- 20-Feet (6 m) #40 Chain
- Gate tracker data output (9100 only)
- Selectable stop/ reverse function (9100 only)
- Partial open / anti-tailgate feature (9100 only)



Model	Maximum Gate Weight	Maximum Gate Length	Mount	Class of Operation ¹	Voltage	HP	Power Outlets	Maximum Cycles / Day	Loop Ports ²	Adjustable Clutch ³
9050	500 Lbs 227 KG	16 Ft 4.88 m	Pad or Post ⁴	I	115 VAC	1/2 ⁵	2	100	2	Yes
9100	1000 Lbs 453 KG	30 Ft 9.14 m	Pad or Post ⁴	I, II, III, IV	115 VAC	1/2	2	Continuous	2	Yes

1. I = Residential; II = Commercial; III = Limited Access; IV = Restricted Access
2. Plug-in loop detector ports; open and reverse. DoorKing plug-in loop detectors only.
3. Clutch is not applicable as an entrapment protection device.
4. Requires post mount steel base plate.
5. This is an intermittent duty cycle motor.

9050 / 9100 Slide Gate Operators

Automatic Magnetic Limits

Choose an Operator

9050-380 ½ HP	1984.00
9100-380 ½ HP	2890.00

Choose Entrapment Protection (required) Devices

Use Type B1 (non-contact) and/or Type B2 (contact) entrapment protection devices to protect all areas where the risk of entrapment exist - see pages 42-43.

Operator will not run without entrapment protection device(s) connected to the controller board.

Loops and Loop Detectors

See page 42 for a complete list of all loop detectors, prefabricated loops and loop accessories available.

Surge Suppression

1879-080 High Voltage (120 VAC)	156.00
---------------------------------------	--------

Accessories

2600-418 Steel Base Plate	90.30
2600-970 Base Plate Stop Bracket ¹	60.18
2600-862 Fail-Secure Lock Kit ²	31.30
2600-961 Chain Link Fence Gate Bracket	81.88
1601-154 Heater Kit 120 VAC ³	484.00

1. Use with 2600-418 base plate.
2. Operators come standard in a Fail-Safe configuration.
3. Use if temperature routinely falls below 10°F (-12°C).

Chain

2600-442 #40 Chain, 20-Ft (6 m)	156.00
2600-271 Chain Stop #40, #41 Chain	30.12

Backup Power Inverters

1000-083 1000 Watt, Pure Sine Wave	2148.00
1000-045 Inverter Post Mount Kit	270.00

Includes two (2) 35 AH SLA batteries and can power up to two ½ HP operators or one (1) 1 HP operator. This version is suitable to be used with all brands of gate operators. See page 46 for more information.

Bi-Parting (Dual) Gate Interconnection Cable

2600-755 30-Ft. (9.1 m)	218.00
2600-756 40-Ft. (12.2 m)	288.00
2600-757 50-Ft. (15.2 m)	364.00
2600-754 500-Ft. (152.4 m)	2890.00

Guarded Guide Rollers & Bracket Assembly

1204-120 Single 3-in (76.2 mm)	78.26
1204-122 Dual 3-in (76.2 mm)	138.00
1204-121 Single 6-in (152.4 mm)	96.30
1204-123 Dual 6-in (152.4 mm)	170.00
1204-005 Replacement Roller 3-in (76.2 mm)	18.06

See page 37 for more information.

V-Wheels - Max Gate Weight

1201-102 UHMW 4-in (101.6 mm) 500 lb. (227 kg)	79.46
1201-105 UHMW 4-in (101.6 mm) 750 lb. (340 kg)	108.00
1201-117 Steel 4-in (101.6 mm) 1500 lb. (680 kg)	144.00

See page 36 for more information.

V-Wheels Tandem – Max Gate Weight

1201-012 UHMW 4-in (101.6 mm) 1500 lb. (680 kg) ...	204.00
1201-010 Steel 4-in (101.6 mm) 3000 lb. (1360 kg)	364.00
1201-210 Steel 6-in (152.4 mm) 5000 lb. (2268 kg)	532.00

See page 36 for more information.

Chain Idler Assembly

2600-818	102.34
----------------	--------

Use with rear-mounted operators.

End Catch

1204-004	60.18
----------------	-------

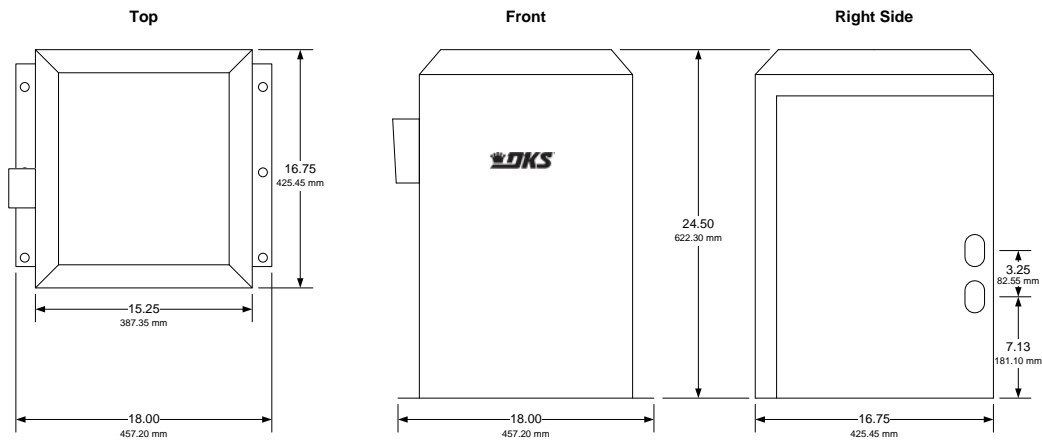
Designed for gates with 2-inch (50.8 mm) frame.

9150 Slide Gate Operators

Automatic Magnetic Limits

9150

- Self-Adjusting Magnetic Limits
- Built-in clutch
- Plug-in Loop Detector Ports
- Built-in power and reset switches
- Two 115 VAC convenience outlets
- Fail-Safe Configuration
- G90 Galvanized steel frame
- Steel cover
- 20-Foot (6 m) #40 Chain
- Gate tracker data output
- Selectable stop/ reverse function
- Partial open / anti-tailgate feature



Model	Maximum Gate Weight	Maximum Gate Length	Mount	Class of Operation ¹	Voltage ²	HP	Power Outlets	Maximum Cycles / Day	Loop Ports ²	Adjustable Clutch ³
9150	1000 Lbs 454 KG	30 Ft 9.14 m	Pad or Post ⁴	I, II, III, IV	115 208 230 460 575 VAC	1/2	2	Continuous	2	Yes
9150	1500 Lbs 680 KG	45 Ft 13.7 m	Pad or Post ⁴	I, II, III, IV	115 208 230 460 575 VAC	1	2	Continuous	2	Yes

1. I = Residential; II = Commercial; III = Limited Access; IV = Restricted Access.
2. High voltage kit (P/N 2600-266) required for 208 Volt and higher.
3. Plug-in loop detector ports; open and reverse. DoorKing plug-in loop detectors only.
4. Clutch is not applicable as an entrapment protection device.
5. Requires post mount steel base plate.

9150 Slide Gate Operators

Automatic Magnetic Limits

Choose an Operator

9150-384 ½ HP	3094.00
9150-380 1 HP.....	3732.00

High Voltage

2600-266 High Voltage Kit	640.00
---------------------------------	--------

Allows the operator to be powered from 208, 230, 460 or 575 VAC source voltage.

Choose Entrapment Protection (required) Devices

Use Type B1 (non-contact) and/or Type B2 (contact) entrapment protection devices to protect all areas where the risk of entrapment exist - see pages 42-43.

Operator will not run without entrapment protection device(s) connected to the controller board.

Loops and Loop Detectors

See page 42 for a complete list of all loop detectors, prefabricated loops and loop accessories available.

Surge Suppression

1879-080 High Voltage (120 VAC).....	156.00
--------------------------------------	--------

Accessories

2600-495 Steel Base Plate.....	302.00
2600-970 Base Plate Stop Bracket ¹	60.18
2600-865 Fail-Secure Lock Kit ²	38.54
2600-961 Chain Link Fence Gate Bracket.....	81.88
1601-154 Heater Kit 120 VAC ³	484.00
1601-197 Heater Kit 208/230 VAC ³	1012.00
1601-198 Heater Kit 480 VAC ³	1012.00

1. Use with 2600-495 base plate.
2. Operators come standard in a Fail-Safe configuration.
3. Use if temperature routinely falls below 10°F (-12°C).

Chain

2600-442 #40 Chain, 20-Ft (6 m).....	156.00
2600-271 Chain Stop #40, #41 Chain	30.12

Backup Power Inverters

1000-083 1000 Watt, Pure Sine Wave	2148.00
1000-045 Inverter Post Mount Kit.....	270.00

Includes two (2) 35 AH SLA batteries and can power up to two ½ HP operators or one (1) 1 HP operator. This version is suitable to be used with all brands of gate operators. See page 46 for more information.

Bi-Parting (Dual) Gate Interconnection Cable

2600-755 30-Ft. (9.1 m).....	218.00
2600-756 40-Ft. (12.2 m).....	288.00
2600-757 50-Ft. (15.2 m).....	364.00
2600-754 500-Ft. (152.4 m).....	2890.00

Guarded Guide Rollers & Bracket Assembly

1204-120 Single 3-in (76.2 mm)	78.26
1204-122 Dual 3-in (76.2 mm)	138.00
1204-121 Single 6-in (152.4 mm)	96.30
1204-123 Dual 6-in (152.4 mm)	170.00
1204-005 Replacement Roller 3-in (76.2 mm)	18.06

See page 37 for more information.

V-Wheels - Max Gate Weight

1201-102 UHMW 4-in (101.6 mm) 500 lb. (227 kg)	79.46
1201-105 UHMW 4-in (101.6 mm) 750 lb. (340 kg)	108.00
1201-117 Steel 4-in (101.6 mm) 1500 lb. (680 kg)	144.00

See page 36 for more information.

V-Wheels Tandem – Max Gate Weight

1201-012 UHMW 4-in (101.6 mm) 1500 lb. (680 kg) ...	204.00
1201-010 Steel 4-in (101.6 mm) 3000 lb. (1360 kg)	364.00
1201-210 Steel 6-in (152.4 mm) 5000 lb. (2268 kg)	532.00

See page 36 for more information.

Chain Idler Assembly

2600-818.....	102.34
---------------	--------

Use with rear-mounted operators.

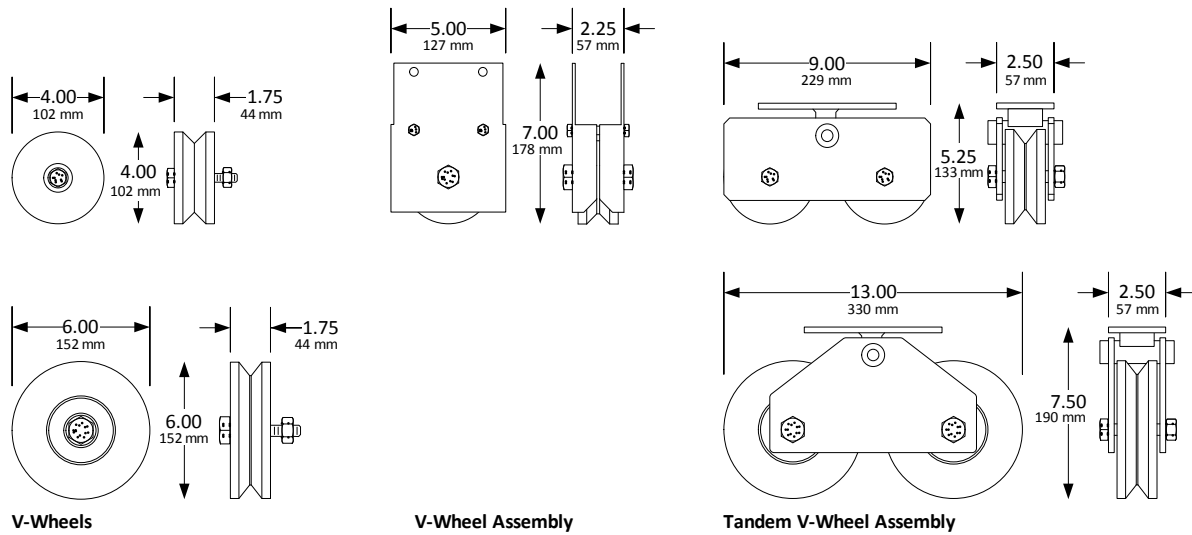
End Catch

1204-004.....	60.18
---------------	-------

Designed for gates with 2-inch (50.8 mm) frame.

Slide Gate Accessories

V-Wheels



4-Inch (102 mm) V-Wheels

1201-004 UHMW w/sleeve bearing.....	43.34
• 500 Lb. (226 Kg) maximum weight	
1201-006 UHMW w/sealed bearing	60.18
• 750 Lb. (340 Kg) maximum weight	
1201-016 Steel w/sealed bearing	108.00
• 1500 Lb. (680 Kg) maximum weight	

4-Inch (102 mm) V-Wheel Assemblies¹

1201-102 UHMW w/sleeve bearing.....	79.46
• 500 Lb. (226 Kg) maximum weight	
1201-105 UHMW w/sealed bearing	108.00
• 750 Lb. (340 Kg) maximum weight	
1201-117 Steel w/sealed bearing	144.00
• 1500 Lb. (680 Kg) maximum weight	

1. Assemblies include wheel guarding as required by industry safety standards.

4-Inch (102 mm) Tandem V-Wheel Assemblies

1201-012 UHMW w/sealed bearing	204.00
• 1500 Lb. (680 Kg) maximum weight	
1201-010 Steel w/sealed bearing	364.00
• 3000 Lb. (1360 Kg) maximum weight	

6-Inch (152 mm) V-Wheels

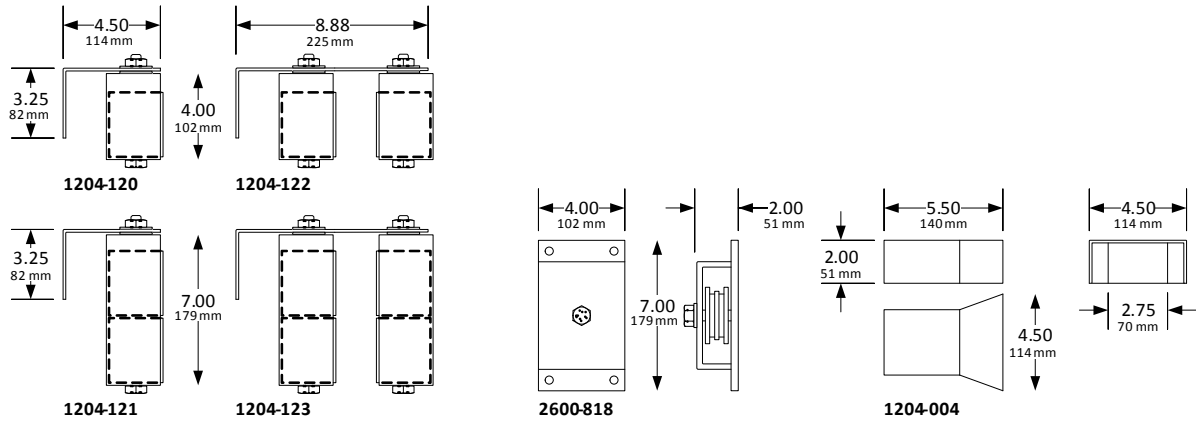
1201-000 Steel w/sealed bearing	212.00
• 2500 Lb. (1133 Kg) maximum weight	

6-Inch (152 mm) Tandem V-Wheel Assembly

1201-210 Steel w/sealed bearing	532.00
• 5000 Lb. (2267 Kg) maximum weight	

Slide Gate Accessories

Guide Rollers, Chain Idler, End Catch



3-Inch (76 mm) Guide Roller Assemblies¹	
1204-120 Single	78.26
1204-122 Dual	138.00
1. Assemblies include roller guarding as required by industry safety standards.	
6-Inch (152 mm) Guide Roller Assemblies¹	
1204-121 Single	96.30
1204-123 Dual	170.00
1. Assemblies include roller guarding as required by industry safety standards.	
3-Inch (76 mm) Replacement Roller	
1204-005.....	18.06

Chain Idler Assembly	
2600-818.....	102.34
<ul style="list-style-type: none"> Use this with rear-mounted slide gate operators. Works with #40 and #41 chain. 	
End Catch	
1204-004.....	60.18
<ul style="list-style-type: none"> Use with 2-inch (51 mm) gate frame. 	

Slide Gate Operator Parts & Accessories

Miscellaneous Parts & Accessories

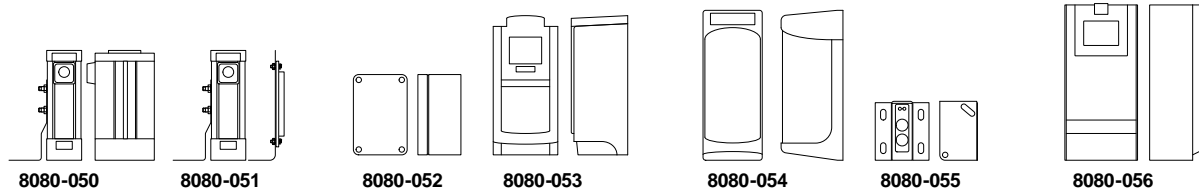
Circuit Boards	
4100-018	516.00
Used in model 9024	
4405-018	608.00
Used in model 9000	
4602-018	744.00
Used in models 9100, 9150	
4702-018	516.00
Used in models 9050	

Chain	
2600-441 #41 Chain – 20 Ft (6 m).....	122.00
2600-442 #40 Chain – 20 Ft (6 m).....	156.00
2600-443 #41 Chain Nickel Plated – 10 Ft (3 m)	106.00
2600-444 #40 Chain Nickel Plated – 10 Ft (3 m)	142.00
2600-271 Chain Stop for #40 and #41 Chain.....	30.12
2600-961 Chain Link Fence Gate Bracket.....	81.88
Base Plates	
2600-418 Steel Base Plate	90.30
Use with 9050 and 9100 operators	
2600-495 Steel Base Plate	302.00
Use with 9150 operator	
2600-970 Base Plate Stop Bracket	60.18
Use with 2600-418 and 2600-495	
Bi-Parting Connection Cable	
2600-754 Primary / Secondary Cable	2890.00
500-ft (152.4 m) roll	
9024-137 RS 485 Cable	662.00
984-ft (300 m) roll	

Blank Page

Entrapment Prevention Devices

Non-contact Sensors Type B1

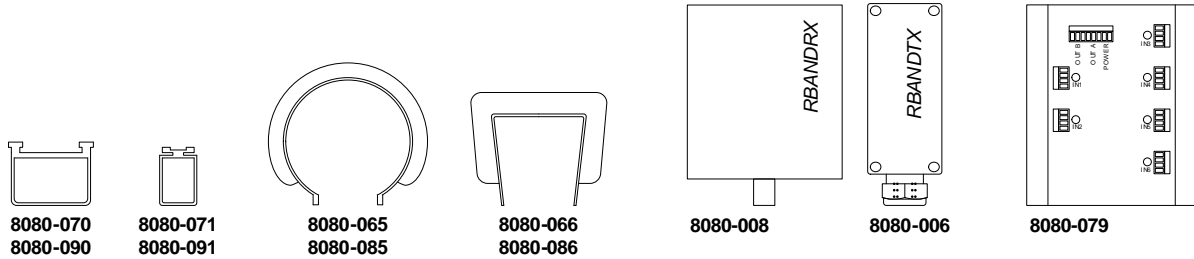


Thru-Beam Devices	
8080-050 (ME-PG)	546.00
<ul style="list-style-type: none"> • 100 Ft. (30 m) maximum sensing distance. • Receiver (RX-R) 7-30 VAC / 10-42 VDC. • Transmitter (EM-W) 7-30 VAC / 10-42 VDC. 	
8080-052 (EMX MON)	546.00
<ul style="list-style-type: none"> • 115 Ft. (35 m) maximum sensing distance. • 12-24 VAC / 6-35 VDC. • Includes hood. 	
8080-054 (Seco-Larm E960-D90GQ).....	546.00
<ul style="list-style-type: none"> • 90 Ft. (27 m) maximum sensing distance. • 12-30 VAC / VDC. 	

Photo-Reflective Devices	
8080-051 (ME-RG)	502.00
<ul style="list-style-type: none"> • 30 Ft. (9 m) maximum sensing distance. • Receiver 7-30 VAC / 10-42 VDC. 	
8080-053 (EMX IRB-RET).....	502.00
<ul style="list-style-type: none"> • 60 Ft. (18 m) maximum sensing distance. • 12-24 VAC / 6-35 VDC. 	
8080-055 (Seco-Larm E936-S45RRGQ).....	502.00
<ul style="list-style-type: none"> • 45 Ft. (14 m) maximum sensing distance. • 12-30 VAC / VDC. 	
8080-056 (Omron E3K)	502.00
<ul style="list-style-type: none"> • 33 Ft. (10 m) maximum sensing distance. • 24-240 VAC / VDC. 	

Entrapment Prevention Devices

Contact Sensors Type B2

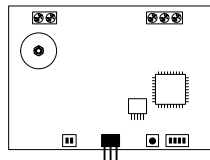


2-Wire Contact Edge with 10K Termination	
8080-071 6 Ft. (1.8 m) ME111-T2	384.00
• Ideal for barrier arms, includes mounting channel.	
8080-070 5 Ft. (1.5 m) ME123-T2	384.00
• Includes mounting channel.	
8080-065 5 Ft. (1.5 m) MGR20-T2.....	422.00
• Fits on 2 in (51 mm) round post.	
8080-066 5 Ft. (1.5 m) MGS20-T2.....	422.00
• Fits on 2 in (51 mm) square post.	
4-Wire Contact Edge ¹	
8080-091 6 Ft. (1.8 m) ME111	384.00
• Ideal for barrier arms, includes mounting channel.	
8080-090 5 Ft. (1.5 m) ME123	384.00
• Includes mounting channel.	
8080-085 5 Ft. (1.5 m) MGR20.....	422.00
• Fits on 2 in (51 mm) round post.	
8080-086 5 Ft. (1.5 m) MGS20.....	422.00
• Fits on 2 in (51 mm) square post.	
1. 4-wire edges do not have 10K termination and are designed to be used wired in series with the 2-wire T2 edges.	

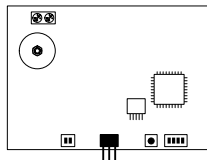
Contact Sensor Accessories	
8080-079 Multiple Input Module (MIM 62)	870.00
• Monitors up to six (6) external contact edges.	
8080-008 Wireless Monitored Link (RB-G-K10) ¹	526.00
• Receiver: 12-24 VAC / VDC.	
• Transmitter: 3.6 VDC / 2 AA Lithium.	
• Receiver can monitor up to six (6) edges.	
1. Kit includes receiver and one (1) RB-TX-10 transmitter.	
8080-006 Monitored Transmitter (RB-TX-10)	262.00

Vehicle Protection

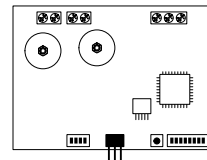
Loop Detectors and Loops



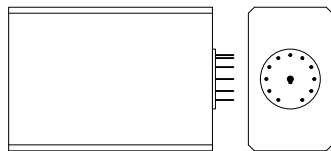
9411-010



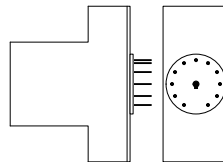
9410-010 / 9416-010



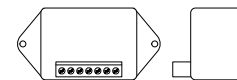
9409-010 / 9415-010



9402-045 / 9402-047



9402-044



9402-050

DKS Plug-In Loop Detectors

9411-010 Single Channel + Aux Relay	250.00
9410-010 Single Channel	232.00
9409-010 Two Channel	436.00
9415-010 Two Channel Low Power Draw	458.00
9416-010 Single Channel Low Power Draw	262.00

Reno A&E Wired Loop Detectors^{1,2}

9402-045 24 VAC / 12-24 VDC	302.00
9402-047 120 VAC	302.00
9402-061 Wire Harness	26.50

Carlo Gavazzi Wired Loop Detectors^{1,2}

9402-044 24 VAC / VDC	222.00
9402-061 Wire Harness	26.50

Diablo Wired Loop Detectors

9402-050 10-30 VAC / VDC Low Power Draw	302.00
---	--------

1. Detectors have two (2) relay outputs.
2. 9402-061 harness required.

Loop Wire – 18 AWG – XLPE Insulation

9402-076 500 Ft. (152 m) Black	194.00
9402-077 1000 Ft. (304 m) Black	302.00
9402-078 500 Ft. (152 m) Blue	194.00
9402-079 1000 Ft. (304 m) Blue	302.00
9402-080 500 Ft. (152 m) Red	194.00
9402-081 1000 Ft. (304 m) Red	302.00

Prefabricated Loops¹

9401-060 Blue Wire	302.00
9401-061 Yellow Wire	302.00
9401-062 Red Wire	302.00

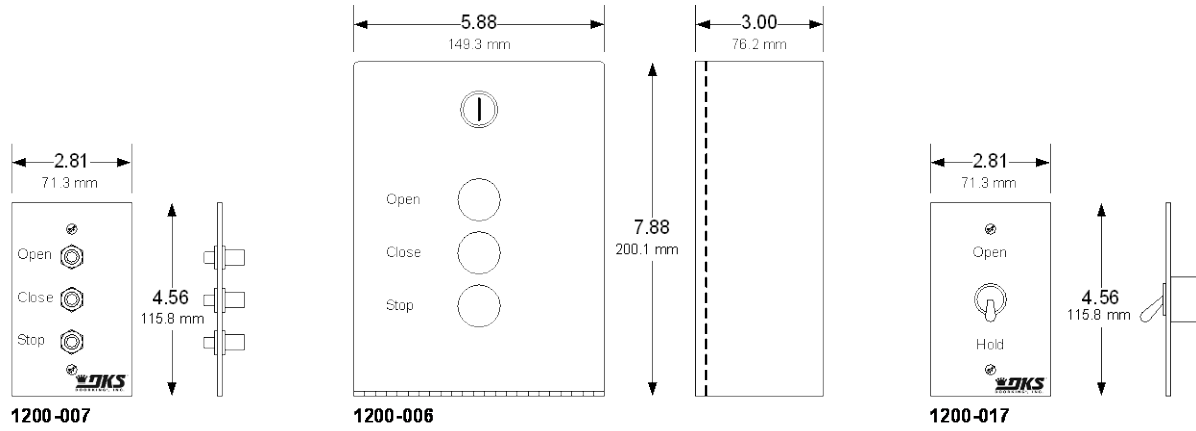
24 Ft. (7 m) circumference, 50 Ft. (15 M) lead-in wire.

Loop Accessories

9401-045 Meg-Ohm Test Meter	542.00
-----------------------------------	--------

Control Stations

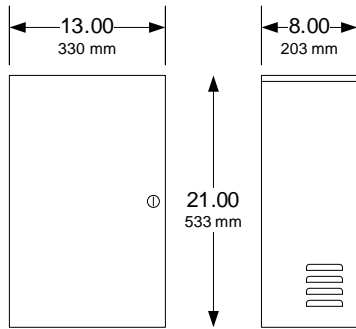
Manual Control



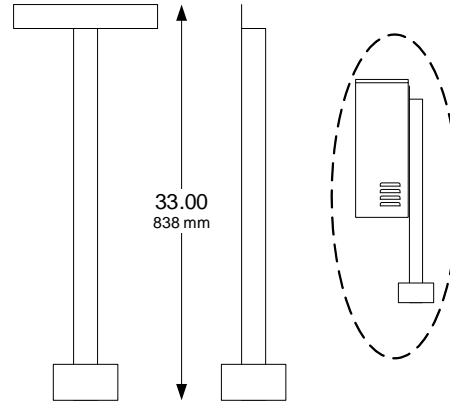
3-Button Control¹	
1200-007 Indoor use only	90.30
<ul style="list-style-type: none"> • Mounts into single-gang electrical box. 	
1200-006 Indoor or Outdoor use	164.00
<ul style="list-style-type: none"> • Wall mount 	
<p>1. These control stations use a normally open stop circuit and can only be used with the following models: 6050, 6100, 9100, 9150.</p>	
Toggle Control	
1200-017 Indoor use only	54.18
<ul style="list-style-type: none"> • Mounts into single-gang electrical box 	

Model 1000

Back-up Power / Inverter



1000-083



1000-045

Model 1000 Power Inverter

1000-083 Pure Sine Wave, 1000 Watt.....2148.00

- Includes two (2) batteries.
- Will power two (2) ½ HP operators or a single 1 HP operator.
- Suitable for use with all DoorKing gate operators and most other brands.

Accessories

1000-045 Post Mount Kit 270.00

1801-005 12-Volt, 35 Ah SLA Battery..... 278.00

1000-044 Battery Cable Set 51.32

Entry System Connection Options – Your Choice

For more information, please visit:

<http://www.doorking.com/connect> and <http://www.doorking.com/imserver> and <http://www.doorking.com/cellular>

4G-LTE Cellular Service (Plug & Play)

- Voice and Programming (wireless via the cellular network)
- DKS Cellular (subscription based service)

Internet (VoIP) Connection (Plug & Play)

- Voice and Programming (wired connection)
- DKS Internet or VoIP subscription service required
- Requires 1830-186 Network Adapter for programming¹
- Requires 1815-530 VoIP adapter for DKS VoIP¹ or use third party VoIP adapter²
- Plug & Play for LAN and WAN connections 2334-080³

1: Subscription service.

2: DoorKing does not guarantee third party VoIP service. Third party VoIP subscription may be required.

3: Combines 1830-186, 1815-530 and Ethernet switch into a single enclosure.

Internet (VoIP) Connection (Manual IP Configuration)

- Voice and Programming (wired connection)
- Manual setup – requires 1830-185 Network adapter
- Manual setup required: determine Default Gateway, set your IP address, setup Port Forwarding, configure Firewall for access, order Static IP address from internet provider or setup DDNS host account
- Compatible with most VoIP providers¹

1: DoorKing does not guarantee third party VoIP service. Third party VoIP subscription may be required.

Land Line Telephone Service³ (POTS line, Cable or Fiber¹)

- Voice and Programming (wired connection)
- Programming options:
 - IM Server Modem (subscription based service)
 - Modem to Modem²

1: Not applicable if Cable or Fiber is a cloud based telephone service.

2: Not compatible with all modems. Requires phone line and modem at programming PC.

3: DoorKing does not recommend using POTS (Plain Old Telephone Service) as a connection option and does not guarantee modem connections as many phone company services and switches no longer support modem communications.

TTY Connection Options

- Allows hearing impaired persons to connect their TTY device to the telephone entry system.
- P/N 1830-310 is factory installed at time of order.
- P/N 1830-315 is an add-on device that can be added to the telephone entry system at any time.

Table of Contents

Telephone Entry & Access Control

Model 1802	4
Model 1803	6
Model 1808	8
Model 1810	10
Model 1812	12
Model 1819	14
Model 1816/1820	16
Model 1833 80 Series	18
Model 1834 90 Series	20
Model 1834 80 Series	22
Model 1835 90 Series	24
Model 1835 80 Series	26
Model 1837 90 Series	28
Model 1837 80 Series	30
Model 1838	32
Model 1838 Access Plus	34

Accessories

Connection Options	36
Elevator Control	37
Tracker Expansion Boards	38
Wireless Kits for Tracker Expansion Boards	39
Telephone Entry Systems Mounting Kits	40
Light Kits	41
Add-on Directories	42
Utility Enclosures	43
Accessories	44
Replacement Components	45

1802 Telephone Entry System

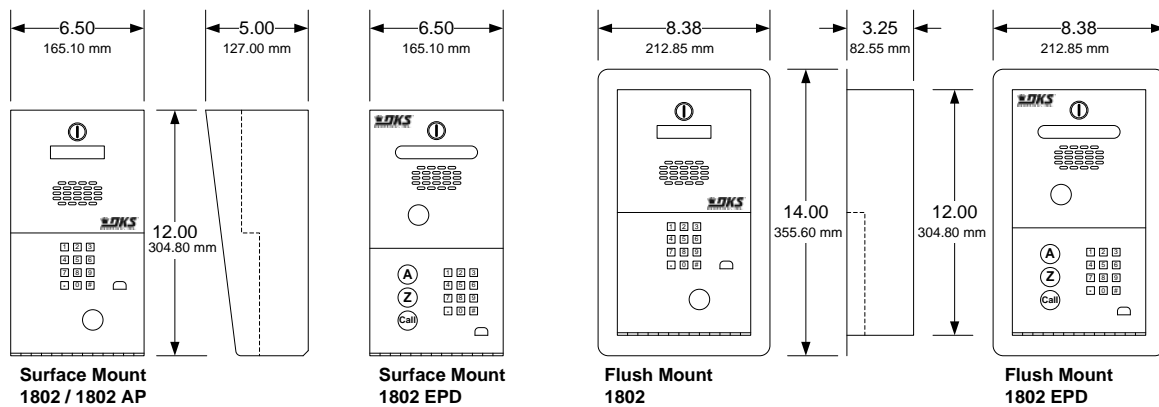
Residential, Commercial

1802 / 1802 EPD

- Hands free full duplex voice communication
- Programmable Directory Codes (1-4 digits)
- 16-digit dialing
- Includes 16 VAC power transformer
- Backlit keypad and A-Z-CALL buttons (EPD only)

1802 AP (Access Plus) ONLY

- Control up to 8 entry points
- IP Addressable
- PC Programmable
- 2-Digit directory codes
- 20-digit dialing
- Includes 16 VAC power transformer



Model	Phone Numbers	Directory ⁶ Names	Entry Codes ¹	Device Codes ²	Relays	Auxiliary Inputs ³	Expansion ⁴	PC Programmable ⁵	Temporary Codes	Holiday Schedules
1802	600	N/A	1000	0	2	1	No	No	5	No
1802EPD	100	100	100	0	2	1	No	No	5	No
1802AP	27	N/A	50	100	2	2	6 Max	Yes	10	Yes

1. Entry codes are four (4) digits only and are not the same as device codes. Entry codes grant access when entered on the entry system keypad (or secondary keypad) only.
2. Device codes refer to any five (5) digit RS-485 device used to access an entry point, such as cards, transmitters or PINs (Personal Identification Number). Five (5) digit device codes can also be used on the system keypad.
3. 1802 and 1802EPD, auxiliary input allows a switch closure to activate relay 2, or can be set to auto-dial a preprogrammed telephone number. 1802 AP uses a standard RS-485 data input.
4. Six (6) additional entry points can be controlled via RS-485 card readers, AVID tag readers, RF receivers or digital keypads.
5. AP Programming software available for free download at doorking.com.
6. Single line 16 character 5/16 LCD display.

1802 Telephone Entry System

Residential, Commercial

1802 Telephone Entry Systems

1802-082 Surface Mount	1230.00
1802-089 Flush Mount.....	1542.00
1802-090 Surface Mount EPD	1506.00
1802-091 Flush Mount EPD.....	1818.00
1802-092 Surface Mount AP (Access Plus).....	1926.00

Service Connection Options

1800-081 Cellular Voice + Data ^{1,2}	654.00
1801-080 Cellular Voice Only ^{1,3}	434.00

- 1 - Cellular service plan required (provided by DoorKing).
- 2 - Use with 1802 AP model.
- 3 - Use with 1802 and 1802 EPD models.

1802 Lobby Panel

1802-083.....	916.00
1802-094.....	1226.00

Lobby panels can only be used with the 1816 or 1820 telephone intercom system. They cannot be connected directly to telephone service.

Accessories

1701-080 20-Name Directory.....	156.00
1702-080 60-Name Directory.....	228.00
1710-080 200-Name Directory Surface Mount	484.00
1710-081 200-Name Directory Flush Mount.....	484.00

1506-081 Secondary Keypad surface mount.....	444.00
1506-091 Secondary Keypad flush mount	576.00
1804-193 External Speaker	202.00
1801-008 Backup Battery 12-Volt .8 Ah	91.52
2600-588 Heater Kit (1802, 1802 AP)	238.00
2600-582 LCD Heater (1802 EPD).....	52.98
1812-145 CCTV Color Camera	1022.00
1807-012 Handset Kit (surface mount only)	422.00
1802-111 Post Mount Adapter Plate ¹	166.00

1. Required if mounting 1802 to gooseneck post.

1830-310 TTY Add-on Factory Installed	312.00
1830-315 TTY Add-on Kit	348.00

1802 AP (ACCESS PLUS ONLY) Expansion Options

2354-010 Conversion Board	180.00
1815-235 Conversion Board w/Enclosure	316.00
<i>Converts 26-bit Wiegand to RS-485. Requires 12-16 VDC power.</i>	
1812-020 12-VDC, 1A Transformer	51.62
1200-080 Transformer Box.....	234.00

1816-083 Intercom Phone Expansion.....	1144.00
--	---------

The 1816-083 expands the "No Phone Line" telephone intercom interface on Access Plus systems from a single phone line up to 11 phone lines. The system can be further expanded to interface with up to a maximum of 23 phone lines.

RS-485 Card Readers (ACCESS PLUS ONLY)

1815-332 DK Prox Reader	432.00
1815-232 ID Tech Reader	504.00
1815-233 AWID Reader.....	516.00
1815-234 HID Reader	916.00

RS-485 Keypads (ACCESS PLUS ONLY)

1513-081 Surface Mount.....	542.00
1513-082 Flush Mount	674.00

RS-485 RF Controls (ACCESS PLUS ONLY)

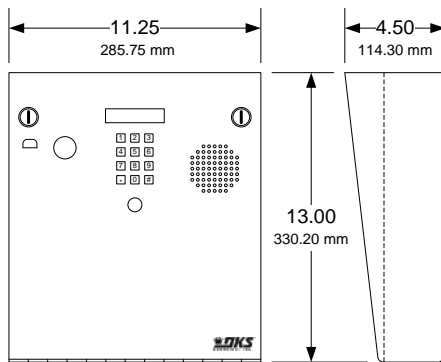
8053-080 MicroPlus Receiver	218.00
-----------------------------------	--------

1803 Telephone Entry System

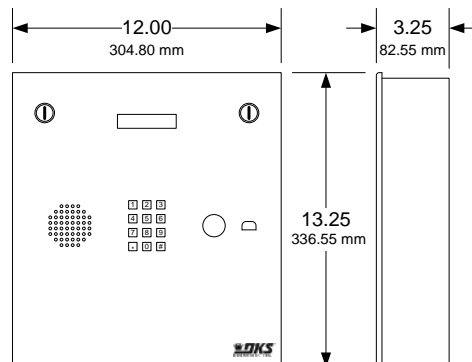
Residential, Commercial

1803

- Hands free full duplex voice communication
- Programmable Directory Codes (1-4 digits)
- 16-digit dialing
- Includes 16 VAC power transformer
- Stainless steel faceplate
- Galvanized steel sub-plate
- Metal keypads and buttons
- Postal lock provision



Surface Mount



Flush Mount

Model	Phone Numbers	Directory Names	Entry Codes ¹	Device Codes ²	Relays	Auxiliary Inputs ³	Expansion ⁴	PC Programmable ⁵	Temporary Codes	Holiday Schedules
1803	600	N/A	1000	0	2	1	No	No	5	No

1. Entry codes are four (4) digits only and are not the same as device codes. Entry codes grant access when entered on the entry system keypad (or secondary keypad) only.
2. Device codes are not used with the 1803.
3. 1803 auxiliary input allows a switch closure to activate relay 2, or can be set to auto-dial a preprogrammed telephone number.

1803 Telephone Entry System

Residential, Commercial

1803 Telephone Entry Systems

1803-080 Surface Mount	1614.00
1803-084 Flush Mount.....	1614.00

1803 Lobby Panels

1803-090 Surface Mount	1072.00
1803-092 Flush Mount.....	1072.00

Lobby panels can only be used with the 1816 or 1820 telephone intercom system. They cannot be connected directly to telephone service.

Service Connection Options

1801-080 Cellular Voice Only ¹	434.00
---	--------

1 - Cellular service plan required (provided by DoorKing)

Mounting Accessories

1803-150 Surface Mount Trim Ring Black	236.00
1814-165 Flush Mount Kit Stainless Steel	396.00

Accessories

1701-080 20-Name Directory.....	156.00
1702-080 60-Name Directory.....	228.00
1710-080 Large Directory Surface Mount	484.00
1710-081 Large Directory Flush Mount.....	484.00

1506-081 Secondary Keypad surface mount.....	444.00
1506-091 Secondary Keypad flush mount.....	576.00
1720-080 LED Light Kit	444.00
1804-193 External Speaker	202.00
1801-008 Backup Battery 12-Volt .8 Ah	91.52
2600-584 Heater Kit	170.00
1812-145 CCTV Color Camera	1022.00
1807-012 Handset Kit (surface mount only)	422.00

1830-310 TTY Add-on Factory Installed.....	312.00
1830-315 TTY Add-on Kit.....	348.00

1808 Telephone Entry System

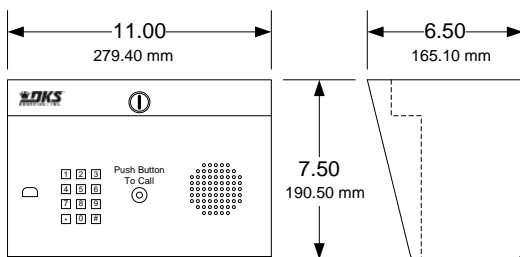
Residential, Commercial

1808

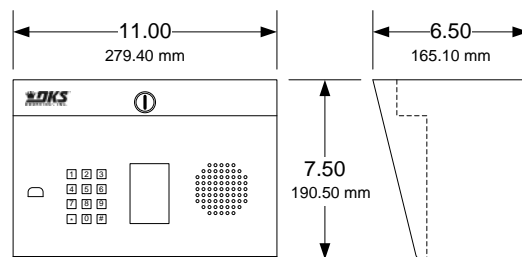
- Hands free full duplex voice communication
- Programmable Directory Codes (1-4 digits)
- 16-digit dialing
- Includes 16 VAC power transformer

1808 AP (Access Plus) ONLY

- Control up to 8 entry points
- IP Addressable
- PC Programmable
- 2-Digit directory codes
- 20-digit dialing
- Includes 16 VAC power transformer



**Surface Mount
1808**



**Surface Mount w/Directory
1808 / 1808 AP**

Model	Phone Numbers	Directory Names	Entry Codes ¹	Device Codes ²	Relays	Auxiliary Inputs ³	Expansion ⁴	PC Programmable ⁵	Temporary Codes	Holiday Schedules
1808	600	N/A	1000	0	2	1	No	No	5	No
1808AP	27	N/A	50	100	2	2	6 Max	Yes	10	Yes

1. Entry codes are four (4) digits only and are not the same as device codes. Entry codes grant access when entered on the entry system keypad (or secondary keypad) only.
2. Device codes refer to any five (5) digit RS-485 device used to access an entry point, such as cards, transmitters or PINs (Personal Identification Number). Five (5) digit device codes can also be used on the system keypad.
3. 1808 auxiliary input allows a switch closure to activate relay 2, or can be set to auto-dial a preprogrammed telephone number. 1808 AP uses a standard RS-485 data input.
4. Six (6) additional entry points can be controlled via RS-485 card readers, AVID tag readers, RF receivers or digital keypads.
5. AP Programming software available for free download at doorking.com.

1808 Telephone Entry System

Residential, Commercial

1808 Telephone Entry Systems

1808-082 Surface Mount w/Directory	1614.00
1808-084 Surface Mount	1506.00
1808-085 Surface Mount AP (Access Plus).....	1926.00

1808 Lobby Panels

1808-081 Surface Mount	1048.00
1808-083 Surface Mount w/Directory	1144.00

Lobby panels can only be used with the 1816 or 1820 telephone intercom system. They cannot be connected directly to telephone service.

Service Connection Options

1800-081 Cellular Voice + Data ^{1,2}	654.00
1801-080 Cellular Voice Only ^{1,3}	434.00

- 1 - Cellular service plan required (provided by DoorKing).
- 2 - Use with 1808 AP model.
- 3 - Use with 1808 model.

Accessories

1701-080 20-Name Directory.....	156.00
1702-080 60-Name Directory.....	228.00
1710-080 200-Name Directory Surface Mount	484.00
1710-081 200-Name Directory Flush Mount.....	484.00
1506-081 Secondary Keypad surface mount.....	444.00
1506-091 Secondary Keypad flush mount	576.00
1804-193 External Speaker	202.00
1801-008 Backup Battery 12-Volt .8 Ah	91.52
2600-588 Heater Kit (1802, 1802 AP).....	238.00
1812-145 CCTV Color Camera	1022.00
1830-310 TTY Add-on Factory Installed	312.00
1830-315 TTY Add-on Kit	348.00

1808 AP (ACCESS PLUS ONLY) Expansion Options

2354-010 Conversion Board	180.00
1815-235 Conversion Board w/Enclosure	316.00

Converts 26-bit Wiegand to RS-485. Requires 12-16 VDC power.

1812-020 12-VDC, 1A Transformer	51.62
1200-080 Transformer Box.....	234.00

1816-083 Intercom Phone Expansion.....	1144.00
--	---------

The 1816-083 expands the "No Phone Line" telephone intercom interface on Access Plus systems from a single phone line up to 11 phone lines. The system can be further expanded to interface with up to a maximum of 23 phone lines.

RS-485 Card Readers (ACCESS PLUS ONLY)

1815-332 DK Prox Reader	432.00
1815-232 ID Tech Reader	504.00
1815-233 AWID Reader.....	516.00
1815-234 HID Reader	916.00

RS-485 Keypads (ACCESS PLUS ONLY)

1513-081 Surface Mount.....	542.00
1513-082 Flush Mount	674.00

RS-485 RF Controls (ACCESS PLUS ONLY)

8053-080 MicroPlus Receiver	218.00
-----------------------------------	--------

1810 Telephone Entry System

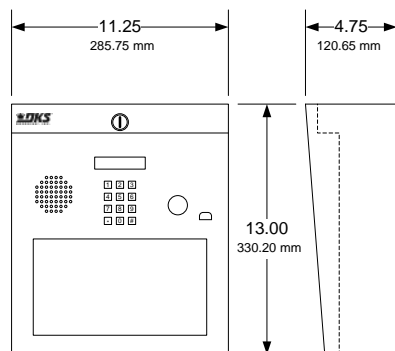
Residential, Commercial

1810

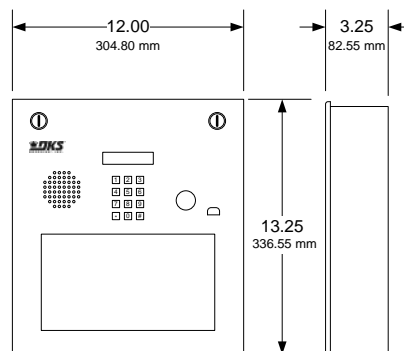
- Hands free full duplex voice communication
- Programmable Directory Codes (1-4 digits)
- 16-digit dialing
- Includes 16 VAC power transformer

1810 AP (Access Plus) ONLY

- Control up to 8 entry points
- IP Addressable
- PC Programmable
- 2-Digit directory codes
- 20-digit dialing
- Includes 16 VAC power transformer



Surface Mount
1810 / 1810 AP



Flush Mount
1810 / 1810 AP

Model	Phone Numbers	Directory Names	Entry Codes ¹	Device Codes ²	Relays	Auxiliary Inputs ³	Expansion ⁴	PC Programmable ⁵	Temporary Codes	Holiday Schedules
1810	600	N/A	1000	0	2	1	No	No	5	No
1810AP	27	N/A	50	100	2	2	6 Max	Yes	10	Yes

1. Entry codes are four (4) digits only and are not the same as device codes. Entry codes grant access when entered on the entry system keypad (or secondary keypad) only.
2. Device codes refer to any five (5) digit RS-485 device used to access an entry point, such as cards, transmitters or PINs (Personal Identification Number). Five (5) digit device codes can also be used on the system keypad.
3. 1810 auxiliary input allows a switch closure to activate relay 2, or can be set to auto-dial a preprogrammed telephone number. 1810 AP uses a standard RS-485 data input.
4. Six (6) additional entry points can be controlled via RS-485 card readers, AVID tag readers, RF receivers or digital keypads.
5. AP Programming software available for free download at doorking.com.

1810 Telephone Entry System

Residential, Commercial

1810 Telephone Entry Systems

1810-080 Surface Mount	1566.00
1810-084 Flush Mount.....	1566.00
1810-095 Surface Mount AP (Access Plus).....	2050.00
1810-096 Flush Mount AP (Access Plus)	2050.00

1810 Lobby Panels

1810-088 Surface Mount	1216.00
1810-090 Flush Mount.....	1206.00

Lobby panels can only be used with the 1816 or 1820 telephone intercom system. They cannot be connected directly to telephone service.

Service Connection Options

1800-081 Cellular Voice + Data ^{1,2}	654.00
1801-080 Cellular Voice Only ^{1,3}	434.00

1 - Cellular service plan required (provided by DoorKing).
 2 - Use with 1810 AP model.
 3 - Use with 1810 model.

Accessories

1803-150 Surface Mount Trim Ring Black	236.00
1814-165 Flush Mount Kit Stainless Steel	396.00
1814-152 Surface Mount Ring for Flush Units	236.00
1701-080 20-Name Directory.....	156.00
1702-080 60-Name Directory.....	228.00
1710-080 200-Name Directory Surface Mount	484.00
1710-081 200-Name Directory Flush Mount.....	484.00
1506-081 Secondary Keypad surface mount.....	444.00
1506-091 Secondary Keypad flush mount	576.00
1720-080 LED Light Kit	444.00
1804-193 External Speaker	202.00
1801-008 Backup Battery 12-Volt .8 Ah	91.52
2600-584 Heater Kit.....	170.00
1812-145 CCTV Color Camera	1022.00
1807-012 Handset Kit (surface mount only).....	422.00
1830-310 TTY Add-on Factory Installed	312.00
1830-315 TTY Add-on Kit	348.00

1810 AP (ACCESS PLUS ONLY) Expansion Options

2354-010 Conversion Board	180.00
1815-235 Conversion Board w/Enclosure	316.00

Converts 26-bit Wiegand to RS-485. Requires 12-16 VDC power.

1812-020 12-VDC, 1A Transformer	51.62
1200-080 Transformer Box.....	234.00

1816-083 Intercom Phone Expansion..... 1144.00
The 1816-083 expands the "No Phone Line" telephone intercom interface on Access Plus systems from a single phone line up to 11 phone lines. The system can be further expanded to interface with up to a maximum of 23 phone lines.

RS-485 Card Readers (ACCESS PLUS ONLY)

1815-332 DK Prox Reader	432.00
1815-232 ID Tech Reader	504.00
1815-233 AWID Reader.....	516.00
1815-234 HID Reader	916.00

RS-485 Keypads (ACCESS PLUS ONLY)

1513-081 Surface Mount.....	542.00
1513-082 Flush Mount	674.00

RS-485 RF Controls (ACCESS PLUS ONLY)

8053-080 MicroPlus Receiver.....	218.00
----------------------------------	--------

1812 Telephone Entry System

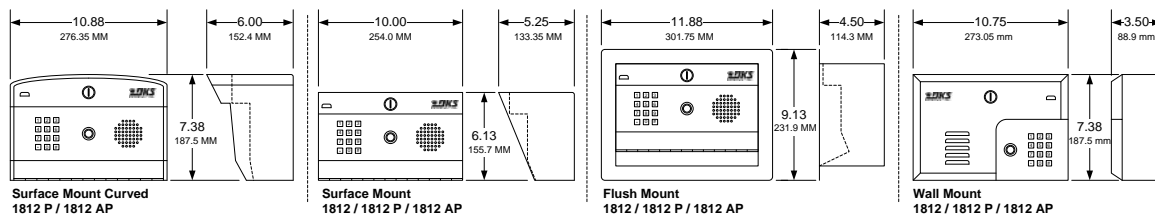
Residential

1812 (Classic)

- 2-Digit directory codes
- 11-digit dialing
- Includes 24 VAC power transformer
- Call Forward Time Zones
- Do Not Disturb
- Analog Voice Circuit

1812 P (Plus) and 1812 AP (Access Plus)

- 2-Digit directory codes
- 20-digit dialing
- Includes 16 VAC power transformer
- Call Forward Time Zones
- Do Not Disturb Feature
- HD Digital Voice Circuit



Model	Phone Numbers	Directory Names	Entry Codes ¹	Device Codes ²	Relays	Auxiliary Inputs ³	Expansion ⁴	PC Programmable ⁵	Temporary Codes	Holiday Schedules
1812	3	N/A	50	0	2	1	No	No	5	No
1812P	27	N/A	0	50	2	0	No	No	10	No
1812AP	27	N/A	0	100	2	2	6 Max	Yes	10	Yes

1. Entry codes are four (4) digits on the 1812. Entry codes grant access when entered on the entry system keypad (or secondary keypad) only.
2. Device codes refer to any five (5) digit RS-485 device used to access an entry point, such as cards, transmitters or PINs (Personal Identification Number). Five (5) digit device codes can also be used as entry codes and are used on the system keypad.
3. 1810 auxiliary input allows a switch closure to activate relay 2, or can be set to auto-dial a preprogrammed telephone number. 1810 AP uses a standard RS-485 data input.
4. Six (6) additional entry points can be controlled via RS-485 card readers, AVID tag readers, RF receivers or digital keypads.
5. AP Programming software available for free download at doorking.com.

1812 Telephone Entry System

Residential

1812 Classic Systems

1812-081 Surface Mount	1598.00
1812-097 Surface Mount w/Camera.....	2536.00
1812-087 Flush Mount.....	1808.00
1812-088 Wall Mount.....	1808.00

1812 Plus Systems

1812-095 Surface Mount Curved	1930.00
1812-089 Surface Mount	1710.00
1812-098 Surface Mount w/Camera.....	2646.00
1812-091 Flush Mount.....	1920.00
1812-093 Wall Mount	1920.00

1812 Access Plus Systems

1812-096 Surface Mount Curved	2040.00
1812-090 Surface Mount	1818.00
1812-099 Surface Mount w/Camera.....	2758.00
1812-092 Flush Mount.....	2028.00
1812-094 Wall Mount	2028.00

Service Connection Options

1800-081 Cellular Voice + Data ^{1,2}	654.00
1801-080 Cellular Voice Only ^{1,3}	434.00

- 1 - Cellular service plan required (provided by DoorKing).
- 2 - Use with 1812 AP model.
- 3 - Use with 1812 Classic and Plus models.

Accessories

1812-105 Stainless Steel Surface Mount Housing ¹	266.00
1506-081 Secondary Keypad surface mount.....	444.00
1506-091 Secondary Keypad flush mount	576.00
2600-588 Heater Kit (for surface mount units)	238.00
2600-582 Heater Kit (for flush mount units)	52.98
1812-145 CCTV Color Camera	1022.00
1812-074 Conversion Kit ²	1776.00

- 1 - Replaces the black steel housing.
- 2 - Upgrades older 1812 units to an 1812 Access Plus unit.

1830-310 TTY Add-on Factory Installed	312.00
1830-315 TTY Add-on Kit	348.00

1812 AP (ACCESS PLUS ONLY) Expansion Options

2354-010 Conversion Board	180.00
1815-235 Conversion Board w/Enclosure	316.00

Converts 26-bit Wiegand to RS-485. Requires 12-16 VDC power.

1812-020 12-VDC, 1A Transformer	51.62
1200-080 Transformer Box.....	234.00

1816-083 Intercom Phone Expansion.....	1144.00
--	---------

The 1816-083 expands the "No Phone Line" telephone intercom interface on Access Plus systems from a single phone line up to 11 phone lines. The system can be further expanded to interface with up to a maximum of 23 phone lines.

RS-485 Card Readers (ACCESS PLUS ONLY)

1815-332 DK Prox Reader	432.00
1815-232 ID Tech Reader	504.00
1815-233 AWID Reader.....	516.00
1815-234 HID Reader	916.00

RS-485 Keypads (ACCESS PLUS ONLY)

1513-081 Surface Mount.....	542.00
1513-082 Flush Mount	674.00

RS-485 RF Controls (ACCESS PLUS ONLY)

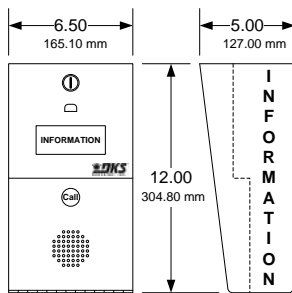
8053-080 MicroPlus Receiver.....	218.00
----------------------------------	--------

1819 Information Telephone System

Commercial

1819

- Full duplex voice communication
- Stores a single phone number
- 10 and 11 digit dialing
- Call button



Surface Mount

Model	Phone Numbers	Directory	Entry Codes	Device Codes	Relays	Auxiliary Inputs	Expansion ⁴	PC Programmable	Elevator Control	Transaction Buffer
1819	1	N/A	0	0	1	0	0	No	No	No

1. The 1819 is designed as an information phone only. Pressing the CALL button causes the system to dial to a preprogrammed telephone number.

1819 Information Telephone System

Commercial

1819 Telephone Entry System

1819-080 Surface Mount 1422.00

Service Connection Options

1801-080 Cellular Voice¹ 434.00

1 – DKS Cellular subscription required.

Accessories

1801-008 Backup Battery 12-Volt .8 Ah 91.52

2600-588 Heater Kit 238.00

1812-145 CCTV Color Camera 1022.00

1802-111 Post Mount Adapter Plate¹ 166.00

1 - Required if mounting the unit to a goose neck post.

1816 / 1820 Telephone Intercom Systems

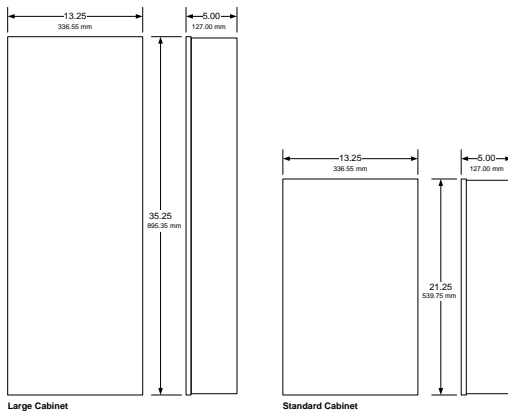
Commercial

1816

- Full duplex voice communication
- Interfaces with up to 1200 phone lines
- Tennant C.O. phone service not required
- Programmable directory codes
- Lobby panel / Doorman caller ID
- Built-in call waiting
- Do Not Disturb feature

1820

- Full duplex voice communication
- Interfaces with up to 1200 phone lines
- Tennant C.O. phone service not required
- Programmable directory codes
- Resident Call Down feature
- Resident programmable Call Forward feature
- Resident programmable Do-Not-Disturb Feature



Model	Phone Numbers	Directory Names	Entry Codes ¹	Caller ID	Relays	Doorman Phone	Resident Call-Down ²	Resident Features ³	Call Out Numbers	Directory Codes
1816	1200	N/A	1200	Yes	1	Yes	No	No	10	Programmable
1820	1200	N/A	1200	Yes	1	Yes	Yes	Yes	10	Programmable

1. Entry codes are four (4) digits. Entry codes grant access when entered on the entry system keypad (or secondary keypad) only.
2. The resident call-down feature allows the resident to contact the doorman directly from their telephone.
3. Resident programmable features include: Call Waiting; Do-Not-Disturb; Call Forwarding.

1816 / 1820 Telephone Intercom Systems

Commercial

1816 Systems

Step 1: Main Control Cabinet

1816-080 Houses 13 Relay Boards (156 lines).....	2216.00
1816-082 Houses 5 Relay Boards (60 lines)	1954.00

Main control cabinets do not include relay boards.

Step 2: Relay Boards

1982-010	
1 – 13 Boards	712.00
14 – 29 Boards	672.00
30 + Boards	632.00

One (1) relay board is required for every 12 phone lines to be interfaced.

Step 3: Decoder Board (if required)

1881-010 Decoder Board	326.00
------------------------------	--------

Decoder board(s) are required if the system expands beyond five (5) relay boards. One (1) decoder board is required for every eight (8) relay boards beyond the first five (5) relay boards.

Step 4: Auxiliary Cabinet (if required)

1816-081 Auxiliary Cabinet	652.00
----------------------------------	--------

Holds up to 16 relay boards and two (2) decoder boards.

Step 5: Phone Blocks and Cables

2370-010 RJ71C Phone Block	286.00
1882-042 Connecting Cable	144.00
1882-044 Connecting Cable Special Length	5.20 / ft.

One (1) RJ71C is required for each relay board in the system.

One (1) connecting cable is required for each relay board in the system.

Add cost per foot to 1882-042.

Step 6: Lobby Panels

Select lobby panels from the 1802, 1803, 1808, 1810 series pages.

1820 Systems

Step 1: Main Control Cabinet

1820-080 Houses 9 Relay Boards (108 lines)	2216.00
1820-082 Houses 4 Relay Boards (48 lines)	1954.00

Main control cabinets do not include relay boards.

Step 2: Line Interface Boards

1884-010	1542.00
----------------	---------

One (1) relay board is required for every 12 phone lines to be interfaced.

Step 3: Power Supply Boards (if required)

1886-010	260.00
----------------	--------

Only required if more than 21 line interface boards are used; then one (1) required for every 21 line interface boards in the system thereafter.

1508-060	57.80
----------------	-------

One (1) required for each 1886-010 power supply board.

Step 4: Auxiliary Cabinet (if required)

1820-081 Large Auxiliary Cabinet	652.00
--	--------

Holds up to 12 line interface boards and one (1) power supply board.

1820-083	396.00
----------------	--------

Holds up to eight (8) line interface boards or seven (7) line interface boards and one (1) power supply board.

Step 5: Phone Blocks and Cables

2370-010 RJ71C Phone Block	286.00
1882-042 Connecting Cable	144.00
1882-044 Connecting Cable Special Length	5.20 / ft.

One (1) RJ71C is required for each relay board in the system.

One (1) connecting cable is required for each relay board in the system.

Add cost per foot to 1882-042.

Step 6: Lobby Panels

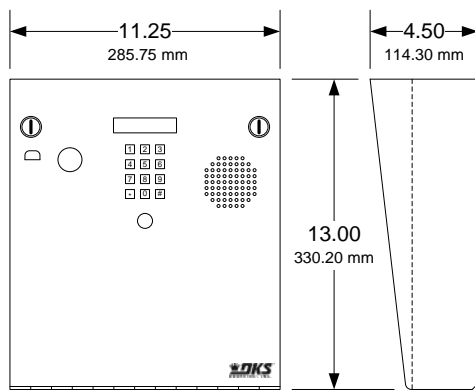
Select lobby panels from the 1802, 1803, 1808, 1810 series pages.

1833 Telephone Entry System – 80 Series

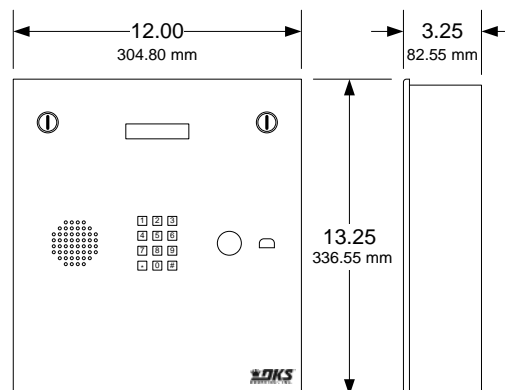
Residential, Commercial

1833

- Full duplex voice communication
- Stores up to 3000 phone numbers
- 255 area codes
- Programmable directory codes
- 10 and 11 digit dialing
- Built-in clock/calendar
- Three (3) built-in relays
- Two (2) 26-bit wiegand inputs
- Expandable to control up to 24 entrances
- 31 security (permission) levels
- 32 holiday schedules
- True anti-pass back features



Surface Mount



Flush Mount

Model	Phone Numbers	Directory	Entry Codes ¹	Device Codes ²	Relays	Auxiliary Inputs ³	Expansion ⁴	PC Programmable ⁵	Elevator Control	Transaction Buffer
1833	3000	N/A	3000	8000	3	2	48 Max	Yes	Yes	8000

1. Entry codes are four (4) digits only and are not the same as device codes. Entry codes grant access when entered on the entry system keypad (or secondary keypad) only.
2. Device codes refer to any five (5) digit 26-bit wiegand device used to access an entry point, such as cards, transmitters or PINs (Personal Identification Number). Five (5) digit device codes can also be used on the system keypad.
3. 1833 has two 26-bit wiegand inputs.
4. Up to 48 additional entry points can be controlled via card readers, AVID tag readers, RF receivers or digital keypads using tracker expansion boards.
5. Programming and transaction analysis software available for free download at doorking.com.

1833 Telephone Entry Systems – 80 Series

Residential, Commercial

1833 Telephone Entry System

1833-080 Surface Mount	3406.00
1833-084 Flush Mount	3406.00

Service Connection Options

1800-080 Cellular Voice + Data ¹	654.00
2334-080 VoIP - TCP/IP Control Box ^{3,5}	522.00
1815-568 VoIP Adapter ^{2,4}	128.00
1830-186 Plug & Play ^{3,4} (Plug & Play)	228.00
1830-185 Network Adapter (Manual Setup)	228.00

1 – DKS Cellular subscription required.

2 – DKS VoIP subscription required.

3 – DKS VoIP or Data over IP subscription required.

4 – 1815-568 is required for voice, 1830-186 or 1830-185 is required for data

5 – Combines the 1815-568 and 1830-186 into a common housing with built-in ethernet switch.

Programming Only Connection Options

1508-055 RS232 to RS422 Conversion Kit	1264.00
1815-037 USB to RS232 Adapter	180.00
1818-040 RS232 Connecting Cable 6-ft (1.8m)	48.16

Accessories

1803-150 Surface Mount Trim Ring Black	236.00
1814-165 Flush Mount Kit Stainless Steel	396.00
1814-152 Surface Mount Ring for Flush Units	236.00

1701-080 20-Name Directory	156.00
1702-080 60-Name Directory	228.00
1710-080 Large Directory Surface Mount	484.00
1710-081 Large Directory Flush Mount	484.00

1506-081 Secondary Keypad surface mount	444.00
1506-091 Secondary Keypad flush mount	576.00
1720-080 LED Light Kit	444.00
1804-193 External Speaker	202.00
1801-008 Backup Battery 12-Volt .8 Ah	91.52
2600-584 Heater Kit	170.00
1812-145 Camera	1022.00
1807-012 Handset Kit (surface mount only)	422.00
1830-315 TTY Add-on kit	348.00

Expansion Options

2358-010 Tracker Expansion Board	516.00
2351-080 Sgl Box ¹ (1 board max)	698.00
2351-084 Sgl Box ¹ + 1489-080 2.4 GHz RF Module	1142.00
2351-085 Sgl Box ¹ + 1490-080 900 MHz RF Module ..	1142.00
2351-082 QUAD Box ¹ Pre-wired (4 boards max)	1206.00

1 – Includes one (1) 2358-010 board and 16V, 40 VA transformer.

Expansion Option Wireless Kits

2361-080 Base Board Kit ¹ 2.4 GHz	576.00
2333-080 Base Board Kit ¹ 900 MHz	620.00
1489-080 Expansion Board Kit ² 2.4 GHz	304.00
1470-080 Expansion Board Kit ² 900 MHz	368.00
2364-080 Single channel repeater 2.4 GHz	306.00
2372-080 Dual channel repeater 2.4 GHz	440.00
2332-080 Dual channel repeater 900 MHz	578.00

1 - One (1) base board kit is installed in the 1833 controller.

2 – Expansion board kit(s) are installed on each 2358 tracker board.

1514-075 2.4 GHz antenna extension kit	60.18
1514-079 900 MHz antenna extension kit	60.18
8064-046 Coax cable extension 13-ft (3.9m)	49.38
1514-004 Disk antenna 2.4 GHz	36.12
1514-003 Six inch (152mm) antenna 2.4 GHz	54.60
1514-028 Disk antenna 900 MHz	33.60
1514-019 Six inch (152mm) antenna 900 MHz	33.60
1514-130 Wireless range test kit 2.4 GHz	838.00

Elevator Control

2348-040 ¹ Elevator control board + hardware	2216.00
2348-080 ² Lockable enclosure	2868.00
2348-081 ³ Lockable enclosure large	3130.00

1 – Includes board and mounting hardware.

2 – Includes one (1) 2348-010 board. Room for two (2) boards' total.

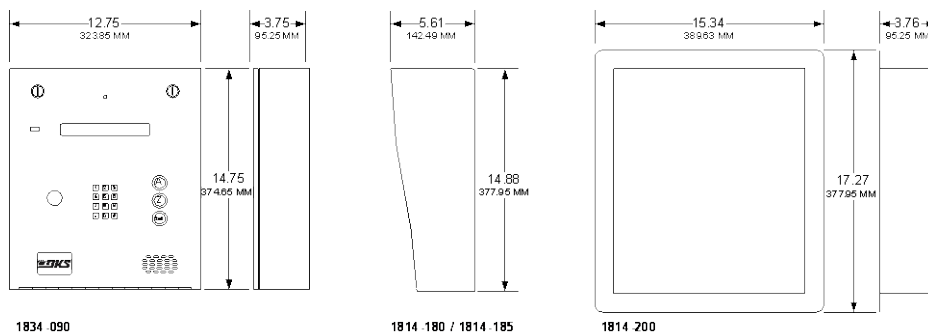
3 – Includes one (1) 2340-010 board. Room for four (4) boards' total.

1834 Telephone Entry System – 90 Series

Residential, Commercial

1834

- Larger cabinet, one design
- Dual locks, double weather seal
- Space for card reader, IP camera, TCP-IP adapter
- Optional 10 ga. hood, stainless steel or black
- Stainless steel flush kit
- Full duplex voice communication
- 255 area codes
- Programmable directory codes
- 10 and 11 digit dialing
- Eight (8) hold open time zones



Model ¹	Phone Numbers	Directory	Entry Codes ²	Device Codes ³	Relays	Auxiliary Inputs ⁴	Expansion	PC Programmable ⁵	Elevator Control	Transaction Buffer
1834	3000	1-Line Electronic	3000	0	2	0	No	Yes	No	8000

1. Card reader mounting will accommodate the following card readers only: 1815-302 (DK Prox), 1815-380 (HID), 1815-215 (ID-Teck). Note that the 1834 does not have inputs for the card reader. Any card reader installed in the 1834 will have to be connected to another access controller. See 1835 if a built-in card reader is desired.
2. Entry codes are four (4) digits only and are not the same as device codes. Entry codes grant access when entered on the entry system keypad (or secondary keypad) only.
3. Device codes refer to any five (5) digit 26-bit wiegand device used to access an entry point, such as cards, transmitters or PINs (Personal Identification Number). Five (5) digit device codes can also be used on the system keypad.
4. 1834 does not have any 26-bit wiegand inputs.
5. Programming and transaction analysis software available for free download at doorking.com.

1834 Telephone Entry Systems – 90 Series

Residential, Commercial

1834 Telephone Entry System

1834-090 3118.00

Service Connection Options

1800-080 Cellular Voice + Data¹ 654.00

2334-080 VoIP - TCP/IP Control Box^{3,5} 522.00

1815-568 VoIP Adapter^{2,4} 128.00

1830-186 Plug & Play^{3,4} (Plug & Play) 228.00

1830-185 Network Adapter (Manual Setup) 228.00

1 – DKS Cellular subscription required.

2 – DKS VoIP subscription required.

3 – DKS VoIP or Data over IP subscription required.

4 – 1815-568 is required for voice, 1830-186 or 1830-185 is required for data

5 – Combines the 1815-568 and 1830-186 into a common housing with built-in ethernet switch.

Programming Only Connection Options

1508-055 RS232 to RS422 Conversion Kit 1264.00

1815-037 USB to RS232 Adapter 180.00

1818-040 RS232 Connecting Cable 6-ft (1.8m) 48.16

Accessories

1814-180 Stainless Steel Hood (10 ga) 430.00

1814-185 Black Hood (10 ga) 214.00

1814-200 Flush Kit (Rough-in box + trim ring) 606.00

1506-081 Secondary Keypad surface mount 444.00

1506-091 Secondary Keypad flush mount 576.00

1720-080 LED Light Kit 444.00

1804-193 External Speaker 202.00

1801-008 Backup Battery 12-Volt .8 Ah 91.52

2600-584 Heater Kit 170.00

1812-147 Camera 1022.00

1807-012 Handset Kit (surface mount only) 422.00

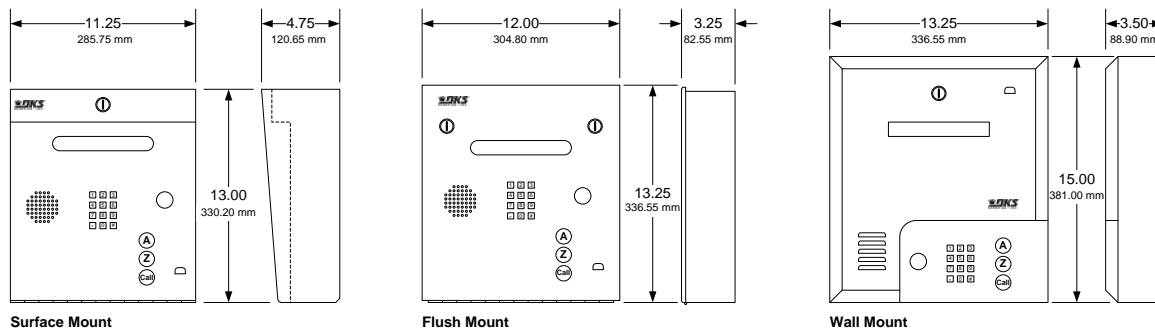
1830-315 TTY Add-on kit 348.00

1834 Telephone Entry System – 80 Series

Residential, Commercial

1834

- Full duplex voice communication
- Stores up to 3000 phone numbers
- 255 area codes
- Programmable directory codes
- 10 and 11 digit dialing
- Two (2) built-in relays
- Eight (8) hold open time zones
- Built-in clock/calendar



Model	Phone Numbers	Directory	Entry Codes ¹	Device Codes ²	Relays	Auxiliary Inputs ³	Expansion	PC Programmable ⁴	Elevator Control	Transaction Buffer
1834	3000	1-Line Electronic	3000	0	2	0	No	Yes	No	8000

1. Entry codes are four (4) digits only and are not the same as device codes. Entry codes grant access when entered on the entry system keypad (or secondary keypad) only.
2. Device codes refer to any five (5) digit 26-bit wiegand device used to access an entry point, such as cards, transmitters or PINs (Personal Identification Number). Five (5) digit device codes can also be used on the system keypad.
3. 1834 does not have any 26-bit wiegand inputs.
4. Programming and transaction analysis software available for free download at doorking.com.

1834 Telephone Entry Systems – 80 Series

Residential, Commercial

1834 Telephone Entry System

1834-080 Surface Mount	2852.00
1834-084 Flush Mount	2852.00
1834-089 Wall Mount	3118.00

Service Connection Options

1800-080 Cellular Voice + Data ¹	654.00
2334-080 VoIP - TCP/IP Control Box ^{3,5}	522.00
1815-568 VoIP Adapter ^{2,4}	128.00
1830-186 Plug & Play ^{3,4} (Plug & Play)	228.00
1830-185 Network Adapter (Manual Setup)	228.00

1 – DKS Cellular subscription required.

2 – DKS VoIP subscription required.

3 – DKS VoIP or Data over IP subscription required.

4 – 1815-568 is required for voice, 1830-186 or 1830-185 is required for data

5 – Combines the 1815-568 and 1830-186 into a common housing with built-in ethernet switch.

Programming Only Connection Options

1508-055 RS232 to RS422 Conversion Kit	1264.00
1815-037 USB to RS232 Adapter	180.00
1818-040 RS232 Connecting Cable 6-ft (1.8m)	48.16

Accessories

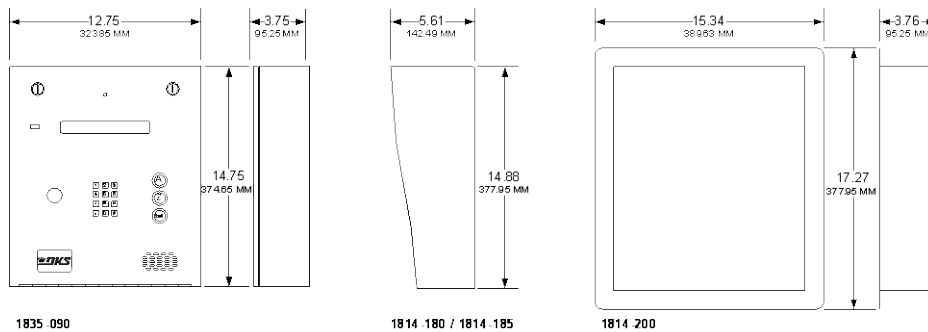
1803-150 Surface Mount Trim Ring Black	236.00
1814-165 Flush Mount Kit Stainless Steel	396.00
1814-152 Surface Mount Ring for Flush Units	236.00
1506-081 Secondary Keypad surface mount	444.00
1506-091 Secondary Keypad flush mount	576.00
1720-080 LED Light Kit	444.00
1804-193 External Speaker	202.00
1801-008 Backup Battery 12-Volt .8 Ah	91.52
2600-584 Heater Kit	170.00
1812-145 Camera (use with flush & wall mount)	1022.00
1812-147 Camera (use with surface mount)	1022.00
1807-012 Handset Kit (surface mount only)	422.00
1830-315 TTY Add-on kit	348.00

1835 Telephone Entry System – 90 Series

Residential, Commercial

1835

- Larger cabinet, one design
- Dual locks, double weather seal
- Space for card reader, IP camera, TCP-IP adapter
- Optional 10 ga. hood, stainless steel or black
- Optional stainless steel flush kit
- 31 security (permission) levels
- 32 holiday schedules
- True anti-pass back features
- 10 and 11 digit dialing
- Eight (8) hold open time zones



Model ¹	Phone Numbers	Directory	Entry Codes ²	Device Codes ³	Relays	Auxiliary Inputs ⁴	Expansion ⁵	PC Programmable ⁶	Elevator Control	Transaction Buffer
1835	3000	1-Line Electronic	3000	8000	3	2	48 Max	Yes	Yes	8000

1. Card reader mounting will accommodate the following card readers only: 1815-302 (DK Prox), 1815-380 (HID), 1815-215 (ID-Teck).
2. Entry codes are four (4) digits only and are not the same as device codes. Entry codes grant access when entered on the entry system keypad (or secondary keypad) only.
3. Device codes refer to any five (5) digit 26-bit wiegand device used to access an entry point, such as cards, transmitters or PINs (Personal Identification Number). Five (5) digit device codes can also be used on the system keypad.
4. 1835 has two 26-bit wiegand inputs.
5. Up to 48 additional entry points can be controlled via card readers, AVID tag readers, RF receivers or digital keypads using tracker expansion boards.
6. Programming and transaction analysis software available for free download at doorking.com.

1835 Telephone Entry Systems – 90 Series

Residential, Commercial

1835 Telephone Entry System

1835-090 4434.00

Service Connection Options

1800-080 Cellular Voice + Data¹ 654.00

2334-080 VoIP - TCP/IP Control Box^{3,5} 522.00

1815-568 VoIP Adapter^{2,4} 128.00

1830-186 Plug & Play^{3,4} (Plug & Play) 228.00

1830-185 Network Adapter (Manual Setup) 228.00

1 – DKS Cellular subscription required.

2 – DKS VoIP subscription required.

3 – DKS VoIP or Data over IP subscription required.

4 – 1815-568 is required for voice, 1830-186 or 1830-185 is required for data

5 – Combines the 1815-568 and 1830-186 into a common housing with built-in ethernet switch.

Programming Only Connection Options

1508-055 RS232 to RS422 Conversion Kit 1264.00

1815-037 USB to RS232 Adapter 180.00

1818-040 RS232 Connecting Cable 6-ft (1.8m) 48.16

Accessories

1814-180 Stainless Steel Hood (10 ga) 430.00

1814-185 Black Hood (10 ga) 214.00

1814-200 Flush Kit (Rough-in box + trim ring) 606.00

1506-081 Secondary Keypad surface mount 444.00

1506-091 Secondary Keypad flush mount 576.00

1720-080 LED Light Kit 444.00

1804-193 External Speaker 202.00

1801-008 Backup Battery 12-Volt .8 Ah 91.52

2600-584 Heater Kit 170.00

1812-145 Camera 1022.00

1807-012 Handset Kit (surface mount only) 422.00

1830-315 TTY Add-on kit 348.00

Expansion Options

2358-010 Tracker Expansion Board 516.00

2351-080 Sgl Box¹ (1 board max) 698.00

2351-084 Sgl Box¹ + 1489-080 2.4 GHz RF Module 1142.00

2351-085 Sgl Box¹ + 1490-080 900 MHz RF Module .. 1142.00

2351-082 QUAD Box¹ Pre-wired (4 boards max) 1206.00

1 – Includes one (1) 2358-010 board and 16V, 40 VA transformer.

Expansion Option Wireless Kits

2361-080 Base Board Kit¹ 2.4 GHz 576.00

2333-080 Base Board Kit¹ 900 MHz 620.00

1489-080 Expansion Board Kit² 2.4 GHz 304.00

1470-080 Expansion Board Kit² 900 MHz 368.00

2364-080 Single channel repeater 2.4 GHz 306.00

2372-080 Dual channel repeater 2.4 GHz 440.00

2332-080 Dual channel repeater 900 MHz 578.00

1 - One (1) base board kit is installed in the 1833 controller.

2 – Expansion board kit(s) are installed on each 2358 tracker board.

1514-075 2.4 GHz antenna extension kit 60.18

1514-079 900 MHz antenna extension kit 60.18

8064-046 Coax cable extension 13-ft (3.9m) 49.38

1514-004 Disk antenna 2.4 GHz 36.12

1514-003 Six inch (152mm) antenna 2.4 GHz 54.60

1514-028 Disk antenna 900 MHz 33.60

1514-019 Six inch (152mm) antenna 900 MHz 33.60

1514-130 Wireless range test kit 2.4 GHz 838.00

Elevator Control

2348-040¹ Elevator control board + hardware 2216.00

2348-080² Lockable enclosure 2868.00

2348-081³ Lockable enclosure large 3130.00

1 – Includes board and mounting hardware.

2 – Includes one (1) 2348-010 board. Room for two (2) boards' total.

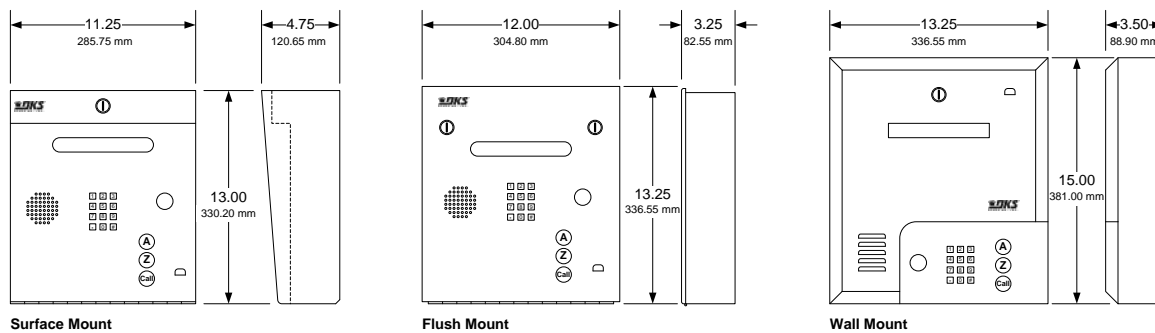
3 – Includes one (1) 2340-010 board. Room for four (4) boards' total.

1835 Telephone Entry System – 80 Series

Residential, Commercial

1835

- Full duplex voice communication
- Stores up to 3000 phone numbers
- 255 area codes
- Programmable directory codes
- 10 and 11 digit dialing
- Built-in clock/calendar
- Three (3) built-in relays
- Two (2) 26-bit wiegand inputs
- Expandable to control up to 24 entrances
- 31 security (permission) levels
- 32 holiday schedules
- True anti-pass back features



Model	Phone Numbers	Directory	Entry Codes ¹	Device Codes ²	Relays	Auxiliary Inputs ³	Expansion ⁴	PC Programmable ⁵	Elevator Control	Transaction Buffer
1835	3000	1-Line Electronic	3000	8000	3	2	48 Max	Yes	Yes	8000

1. Entry codes are four (4) digits only and are not the same as device codes. Entry codes grant access when entered on the entry system keypad (or secondary keypad) only.
2. Device codes refer to any five (5) digit 26-bit wiegand device used to access an entry point, such as cards, transmitters or PINs (Personal Identification Number). Five (5) digit device codes can also be used on the system keypad.
3. 1835 has two 26-bit wiegand inputs.
4. Up to 48 additional entry points can be controlled via card readers, AVID tag readers, RF receivers or digital keypads using tracker expansion boards.
5. Programming and transaction analysis software available for free download at doorking.com.

1835 Telephone Entry Systems – 80 Series

Residential, Commercial

1835 Telephone Entry System

1835-080 Surface Mount	4180.00
1835-084 Flush Mount	4180.00
1835-089 Wall Mount	4434.00

Service Connection Options

1800-080 Cellular Voice + Data ¹	654.00
2334-080 VoIP - TCP/IP Control Box ^{3,5}	522.00
1815-568 VoIP Adapter ^{2,4}	128.00
1830-186 Plug & Play ^{3,4} (Plug & Play)	228.00
1830-185 Network Adapter (Manual Setup)	228.00

1 – DKS Cellular subscription required.

2 – DKS VoIP subscription required.

3 – DKS VoIP or Data over IP subscription required.

4 – 1815-568 is required for voice, 1830-186 or 1830-185 is required for data

5 – Combines the 1815-568 and 1830-186 into a common housing with built-in ethernet switch.

Programming Only Connection Options

1508-055 RS232 to RS422 Conversion Kit	1264.00
1815-037 USB to RS232 Adapter	180.00
1818-040 RS232 Connecting Cable 6-ft (1.8m)	48.16

Accessories

1803-150 Surface Mount Trim Ring Black	236.00
1814-165 Flush Mount Kit Stainless Steel	396.00
1814-152 Surface Mount Ring for Flush Units	236.00

1506-081 Secondary Keypad surface mount	444.00
1506-091 Secondary Keypad flush mount	576.00
1720-080 LED Light Kit	444.00
1804-193 External Speaker	202.00
1801-008 Backup Battery 12-Volt .8 Ah	91.52
2600-584 Heater Kit	170.00
1812-145 Camera (use with flush & wall mount)	1022.00
1812-147 Camera (use with surface mount)	1022.00
1807-012 Handset Kit (surface mount only)	422.00
1830-315 TTY Add-on kit	348.00

Expansion Options

2358-010 Tracker Expansion Board	516.00
2351-080 Sgl Box ¹ (1 board max)	698.00
2351-084 Sgl Box ¹ + 1489-080 2.4 GHz RF Module	1142.00
2351-085 Sgl Box ¹ + 1490-080 900 MHz RF Module ..	1142.00
2351-082 QUAD Box ¹ Pre-wired (4 boards max)	1206.00

1 – Includes one (1) 2358-010 board and 16V, 40 VA transformer.

Expansion Option Wireless Kits

2361-080 Base Board Kit ¹ 2.4 GHz	576.00
2333-080 Base Board Kit ¹ 900 MHz	620.00
1489-080 Expansion Board Kit ² 2.4 GHz	304.00
1470-080 Expansion Board Kit ² 900 MHz	368.00
2364-080 Single channel repeater 2.4 GHz	306.00
2372-080 Dual channel repeater 2.4 GHz	440.00
2332-080 Dual channel repeater 900 MHz	578.00

1 - One (1) base board kit is installed in the 1833 controller.

2 – Expansion board kit(s) are installed on each 2358 tracker board.

1514-075 2.4 GHz antenna extension kit	60.18
1514-079 900 MHz antenna extension kit	60.18
8064-046 Coax cable extension 13-ft (3.9m)	49.38
1514-004 Disk antenna 2.4 GHz	36.12
1514-003 Six inch (152mm) antenna 2.4 GHz	54.60
1514-028 Disk antenna 900 MHz	33.60
1514-019 Six inch (152mm) antenna 900 MHz	33.60
1514-130 Wireless range test kit 2.4 GHz	838.00

Elevator Control

2348-040 ¹ Elevator control board + hardware	2216.00
2348-080 ² Lockable enclosure	2868.00
2348-081 ³ Lockable enclosure large	3130.00

1 – Includes board and mounting hardware.

2 – Includes one (1) 2348-010 board. Room for two (2) boards' total.

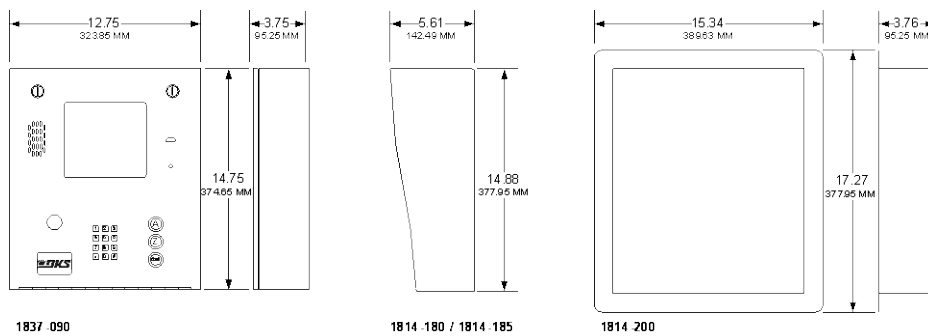
3 – Includes one (1) 2340-010 board. Room for four (4) boards' total.

1837 Telephone Entry System – 90 Series

Residential, Commercial

1837

- Larger cabinet, one design
- Dual locks, double weather seal
- Space for card reader, IP camera, TCP-IP adapter
- Optional 10 ga. hood, stainless steel or black
- Stainless steel flush kit
- 31 security (permission) levels
- 32 holiday schedules
- True anti-pass back features
- 10 and 11 digit dialing
- Eight (8) hold open time zones



Model ¹	Phone Numbers	Directory	Entry Codes ²	Device Codes ³	Relays	Auxiliary Inputs ⁴	Expansion ⁵	PC Programmable ⁶	Elevator Control	Transaction Buffer
1837	3000	8-Line Electronic	3000	8000	3	2	48 Max	Yes	Yes	8000

1. Card reader mounting will accommodate the following card readers only: 1815-302 (DK Prox), 1815-380 (HID), 1815-215 (ID-Teck).
2. Entry codes are four (4) digits only and are not the same as device codes. Entry codes grant access when entered on the entry system keypad (or secondary keypad) only.
3. Device codes refer to any five (5) digit 26-bit wiegand device used to access an entry point, such as cards, transmitters or PINs (Personal Identification Number). Five (5) digit device codes can also be used on the system keypad.
4. 1837 has two 26-bit wiegand inputs.
5. Up to 48 additional entry points can be controlled via card readers, AVID tag readers, RF receivers or digital keypads using tracker expansion boards.
6. Programming and transaction analysis software available for free download at doorking.com.

1837 Telephone Entry Systems – 90 Series

Residential, Commercial

1837 Telephone Entry System

1837-090 6406.00

Service Connection Options

1800-080 Cellular Voice + Data¹ 654.00

2334-080 VoIP - TCP/IP Control Box^{3,5} 522.00

1815-568 VoIP Adapter^{2,4} 128.00

1830-186 Plug & Play^{3,4} (Plug & Play) 228.00

1830-185 Network Adapter (Manual Setup) 228.00

1 – DKS Cellular subscription required.

2 – DKS VoIP subscription required.

3 – DKS VoIP or Data over IP subscription required.

4 – 1815-568 is required for voice, 1830-186 or 1830-185 is required for data

5 – Combines the 1815-568 and 1830-186 into a common housing with built-in ethernet switch.

Programming Only Connection Options

1508-055 RS232 to RS422 Conversion Kit 1264.00

1815-037 USB to RS232 Adapter 180.00

1818-040 RS232 Connecting Cable 6-ft (1.8m) 48.16

Accessories

1814-180 Stainless Steel Hood (10 ga) 430.00

1814-185 Black Hood (10 ga) 214.00

1814-200 Flush Kit (Rough-in box + trim ring) 606.00

1506-081 Secondary Keypad surface mount 444.00

1506-091 Secondary Keypad flush mount 576.00

1720-080 LED Light Kit 444.00

1804-193 External Speaker 202.00

1801-008 Backup Battery 12-Volt .8 Ah 91.52

2600-584 Heater Kit 170.00

1812-145 Camera 1022.00

1807-012 Handset Kit (surface mount only) 422.00

1830-315 TTY Add-on kit 348.00

Expansion Options

2358-010 Tracker Expansion Board 516.00

2351-080 Sgl Box¹ (1 board max) 698.00

2351-084 Sgl Box¹ + 1489-080 2.4 GHz RF Module 1142.00

2351-085 Sgl Box¹ + 1490-080 900 MHz RF Module .. 1142.00

2351-082 QUAD Box¹ Pre-wired (4 boards max) 1206.00

1 – Includes one (1) 2358-010 board and 16V, 40 VA transformer.

Expansion Option Wireless Kits

2361-080 Base Board Kit¹ 2.4 GHz 576.00

2333-080 Base Board Kit¹ 900 MHz 620.00

1489-080 Expansion Board Kit² 2.4 GHz 304.00

1470-080 Expansion Board Kit² 900 MHz 368.00

2364-080 Single channel repeater 2.4 GHz 306.00

2372-080 Dual channel repeater 2.4 GHz 440.00

2332-080 Dual channel repeater 900 MHz 578.00

1 - One (1) base board kit is installed in the 1833 controller.

2 – Expansion board kit(s) are installed on each 2358 tracker board.

1514-075 2.4 GHz antenna extension kit 60.18

1514-079 900 MHz antenna extension kit 60.18

8064-046 Coax cable extension 13-ft (3.9m) 49.38

1514-004 Disk antenna 2.4 GHz 36.12

1514-003 Six inch (152mm) antenna 2.4 GHz 54.60

1514-028 Disk antenna 900 MHz 33.60

1514-019 Six inch (152mm) antenna 900 MHz 33.60

1514-130 Wireless range test kit 2.4 GHz 838.00

Elevator Control

2348-040¹ Elevator control board + hardware 2216.00

2348-080² Lockable enclosure 2868.00

2348-081³ Lockable enclosure large 3130.00

1 – Includes board and mounting hardware.

2 – Includes one (1) 2348-010 board. Room for two (2) boards' total.

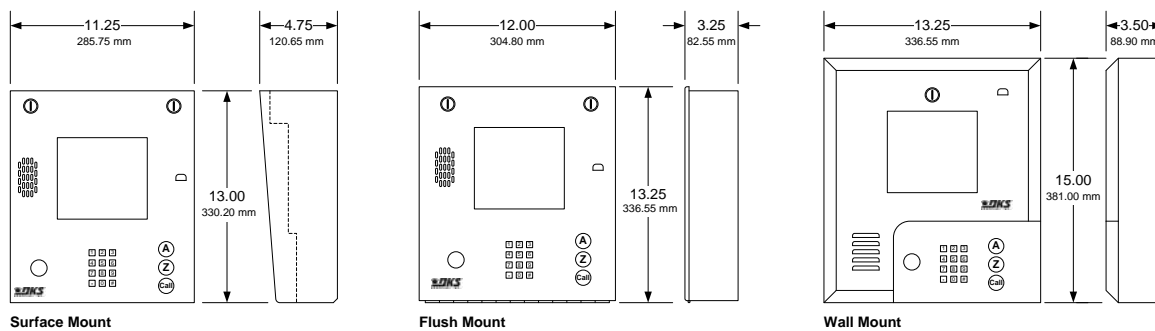
3 – Includes one (1) 2340-010 board. Room for four (4) boards' total.

1837 Telephone Entry System – 80 Series

Residential, Commercial

1837

- Full duplex voice communication
- Stores up to 3000 phone numbers
- 255 area codes
- Programmable directory codes
- 10 and 11 digit dialing
- Built-in clock/calendar
- Three (3) built-in relays
- Two (2) 26-bit wiegand inputs
- Expandable to control up to 24 entrances
- 31 security (permission) levels
- 32 holiday schedules
- True anti-pass back features



Model	Phone Numbers	Directory	Entry Codes ¹	Device Codes ²	Relays	Auxiliary Inputs ³	Expansion ⁴	PC Programmable ⁵	Elevator Control	Transaction Buffer
1837	3000	8-Line Electronic	3000	8000	3	2	48 Max	Yes	Yes	8000

1. Entry codes are four (4) digits only and are not the same as device codes. Entry codes grant access when entered on the entry system keypad (or secondary keypad) only.
2. Device codes refer to any five (5) digit 26-bit wiegand device used to access an entry point, such as cards, transmitters or PINs (Personal Identification Number). Five (5) digit device codes can also be used on the system keypad.
3. 1837 has two 26-bit wiegand inputs.
4. Up to 48 additional entry points can be controlled via card readers, AVID tag readers, RF receivers or digital keypads using tracker expansion boards.
5. Programming and transaction analysis software available for free download at doorking.com.

1837 Telephone Entry Systems – 80 Series

Residential, Commercial

1837 Telephone Entry System

1837-080 Surface Mount	6140.00
1837-084 Flush Mount	6140.00
1837-089 Wall Mount	6406.00

Service Connection Options

1800-080 Cellular Voice + Data ¹	654.00
2334-080 VoIP - TCP/IP Control Box ^{3,5}	522.00
1815-568 VoIP Adapter ^{2,4}	128.00
1830-186 Plug & Play ^{3,4} (Plug & Play)	228.00
1830-185 Network Adapter (Manual Setup)	228.00

1 – DKS Cellular subscription required.

2 – DKS VoIP subscription required.

3 – DKS VoIP or Data over IP subscription required.

4 – 1815-568 is required for voice, 1830-186 or 1830-185 is required for data

5 – Combines the 1815-568 and 1830-186 into a common housing with built-in Ethernet switch.

Programming Only Connection Options

1508-055 RS232 to RS422 Conversion Kit	1264.00
1815-037 USB to RS232 Adapter	180.00
1818-040 RS232 Connecting Cable 6-ft (1.8m)	48.16

Accessories

1803-150 Surface Mount Trim Ring Black	236.00
1814-165 Flush Mount Kit Stainless Steel	396.00
1814-152 Surface Mount Ring for Flush Units	236.00

1506-081 Secondary Keypad surface mount	444.00
1506-091 Secondary Keypad flush mount	576.00
1720-080 LED Light Kit	444.00
1804-193 External Speaker	202.00
1801-008 Backup Battery 12-Volt .8 Ah	91.52
2600-584 Heater Kit	170.00
1812-145 Camera (use with flush & wall mount)	1022.00
1812-147 Camera (use with surface mount)	1022.00
1807-012 Handset Kit (surface mount only)	422.00
1830-315 TTY Add-on kit	348.00

Expansion Options

2358-010 Tracker Expansion Board	516.00
2351-080 Sgl Box ¹ (1 board max)	698.00
2351-084 Sgl Box ¹ + 1489-080 2.4 GHz RF Module	1142.00
2351-085 Sgl Box ¹ + 1490-080 900 MHz RF Module ..	1142.00
2351-082 QUAD Box ¹ Pre-wired (4 boards max)	1206.00

1 – Includes one (1) 2358-010 board and 16V, 40 VA transformer.

Expansion Option Wireless Kits

2361-080 Base Board Kit ¹ 2.4 GHz	576.00
2333-080 Base Board Kit ¹ 900 MHz	620.00
1489-080 Expansion Board Kit ² 2.4 GHz	304.00
1470-080 Expansion Board Kit ² 900 MHz	368.00
2364-080 Single channel repeater 2.4 GHz	306.00
2372-080 Dual channel repeater 2.4 GHz	440.00
2332-080 Dual channel repeater 900 MHz	578.00

1 - One (1) base board kit is installed in the 1833 controller.

2 – Expansion board kit(s) are installed on each 2358 tracker board.

1514-075 2.4 GHz antenna extension kit	60.18
1514-079 900 MHz antenna extension kit	60.18
8064-046 Coax cable extension 13-ft (3.9m)	49.38
1514-004 Disk antenna 2.4 GHz	36.12
1514-003 Six inch (152mm) antenna 2.4 GHz	54.60
1514-028 Disk antenna 900 MHz	33.60
1514-019 Six inch (152mm) antenna 900 MHz	33.60
1514-130 Wireless range test kit 2.4 GHz	838.00

Elevator Control

2348-040 ¹ Elevator control board + hardware	2216.00
2348-080 ² Lockable enclosure	2868.00
2348-081 ³ Lockable enclosure large	3130.00

1 – Includes board and mounting hardware.

2 – Includes one (1) 2348-010 board. Room for two (2) boards' total.

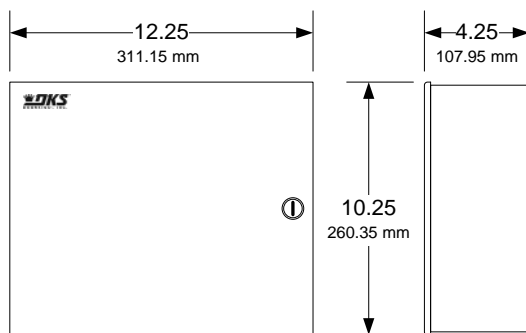
3 – Includes one (1) 2340-010 board. Room for four (4) boards' total.

1838 Access Controller

Commercial

1838

- Stores up to 3000 user names
- Programmable directory codes
- Built-in clock/calendar
- Voice communication capability
- Optional plug-in programming display
- Two (2) built-in relays control relays
- Two (2) 26-bit wiegand inputs
- Expandable to control up to 24 entrances
- 31 security (permission) levels
- 32 holiday schedules
- True anti-pass back features



Model	User Names	Directory	Entry Codes ¹	Device Codes ²	Relays	Auxiliary Inputs ³	Expansion ⁴	PC Programmable ⁵	Elevator Control	Transaction Buffer
1838	3000	N / A	3000	8000	2	2	48 Max	Yes	Yes	8000

1. Entry codes are four (4) digits only and are not the same as device codes. Entry codes grant access when entered on the entry system keypad (or secondary keypad) only.
2. Device codes refer to any five (5) digit 26-bit wiegand device used to access an entry point, such as cards, transmitters or PINs (Personal Identification Number). Five (5) digit device codes can also be used on the system keypad.
3. 1838 has two 26-bit wiegand inputs.
4. Up to 48 additional entry points can be controlled via card readers, AVID tag readers, RF receivers or digital keypads using tracker expansion boards.
5. Programming and transaction analysis software available for free download at doorking.com.

1838 Access Controller

Commercial

1838 Access Controller

1838-081 Surface Mount 2098.00

Service Connection Options

1800-080 Cellular Voice + Data¹ 654.00
 2334-080 VoIP - TCP/IP Control Box^{3,5} 522.00
 1815-568 VoIP Adapter^{2,4} 128.00
 1830-186 Plug & Play^{3,4} (Plug & Play) 228.00
 1830-185 Network Adapter (Manual Setup) 228.00

- 1 – DKS Cellular subscription required.
- 2 – DKS VoIP subscription required.
- 3 – DKS VoIP or Data over IP subscription required.
- 4 – 1815-568 is required for voice, 1830-186 or 1830-185 is required for data
- 5 – Combines the 1815-568 and 1830-186 into a common housing with built-in Ethernet switch.

Programming Only Connection Options

1508-055 RS232 to RS422 Conversion Kit 1264.00
 1815-037 USB to RS232 Adapter 180.00
 1818-040 RS232 Connecting Cable 6-ft (1.8m) 48.16

Call Stations^{1,2}

1838-120 Call station w/keypad 868.00
 1838-121 Call Station w/ID Tech card reader 700.00
 1838-122 Call station w/AWID card reader 686.00
 1838-123 Call station w/HID card reader 926.00
 1838-124 Call station w/DK Prox card reader 602.00
 1494-010 Microphone combiner³ 72.24

- 1 – Provides voice communication via telephone communication.
- 2 – Requires active telephone line.
- 3 – Use if two call stations will share the same telephone line.

Accessories

1838-220 1 x 20 LCD Programming Display 868.00
 1506-081 Secondary Keypad surface mount 444.00
 1506-091 Secondary Keypad flush mount 576.00
 1801-008 Backup Battery 12-Volt .8 Ah 91.52

Expansion Options

2358-010 Tracker Expansion Board 516.00
 2351-080 Sgl Box¹ (1 board max) 698.00
 2351-084 Sgl Box¹ + 1489-080 2.4 GHz RF Module 1142.00
 2351-085 Sgl Box¹ + 1490-080 900 MHz RF Module .. 1142.00
 2351-082 QUAD Box¹ Pre-wired (4 boards max) 1206.00
 1 – Includes one (1) 2358-010 board and 16V, 40 VA transformer.

Expansion Option Wireless Kits

2361-080 Base Board Kit¹ 2.4 GHz 576.00
 2333-080 Base Board Kit¹ 900 MHz 620.00
 1489-080 Expansion Board Kit² 2.4 GHz 304.00
 1470-080 Expansion Board Kit² 900 MHz 368.00
 2364-080 Single channel repeater 2.4 GHz 306.00
 2372-080 Dual channel repeater 2.4 GHz 440.00
 2332-080 Dual channel repeater 900 MHz 578.00
 1 - One (1) base board kit is installed in the 1833 controller.
 2 – Expansion board kit(s) are installed on each 2358 tracker board.

1514-075 2.4 GHz antenna extension kit 60.18
 1514-079 900 MHz antenna extension kit 60.18
 8064-046 Coax cable extension 13-ft (3.9m) 49.38
 1514-004 Disk antenna 2.4 GHz 36.12
 1514-003 Six inch (152mm) antenna 2.4 GHz 54.60
 1514-028 Disk antenna 900 MHz 33.60
 1514-019 Six inch (152mm) antenna 900 MHz 33.60
 1514-130 Wireless range test kit 2.4 GHz 838.00

Elevator Control

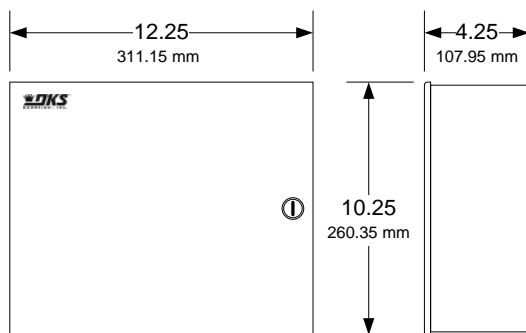
2348-040¹ Elevator control board + hardware 2216.00
 2348-080² Lockable enclosure 2868.00
 2348-081³ Lockable enclosure large 3130.00
 1 – Includes board and mounting hardware.
 2 – Includes one (1) 2348-010 board. Room for two (2) boards' total.
 3 – Includes one (1) 2340-010 board. Room for four (4) boards' total.

1838 Access Plus Controller

Residential, Commercial

1838 AP

- Stores up to 100 user names
- Programmable directory codes
- Built-in clock/calendar
- Voice communication capability
- Optional plug-in programming display
- Control up to 8 entry points
- IP Addressable
- PC Programmable
- 2-Digit directory codes
- 20-digit dialing
- Includes 16 VAC power transformer



Model	Phone Numbers	Directory Names	Entry Codes ¹	Device Codes ²	Relays	Auxiliary Inputs ³	Expansion ⁴	PC Programmable ⁵	Temporary Codes	Holiday Schedules
1838 AP	27	N/A	50	100	2	2	6 Max	Yes	10	Yes

1. Entry codes are four (4) digits only and are not the same as device codes. Entry codes grant access when entered on the entry system keypad (or secondary keypad) only.
2. Device codes refer to any five (5) digit RS-485 device used to access an entry point, such as cards, transmitters or PINs (Personal Identification Number). Five (5) digit device codes can also be used on the system keypad.
3. 1838 AP uses a standard RS-485 data input.
4. Six (6) additional entry points can be controlled via RS-485 card readers, AVID tag readers, RF receivers or digital keypads.
5. AP Programming software available for free download at doorking.com.

1838 Access Plus Controller

Residential, Commercial

1838 Access Plus Controller

1838-095 Surface Mount 1866.00

Service Connection Options

1800-081 Cellular Voice + Data¹ 654.00

1815-568 VoIP Adapter² 128.00

1 – DKS Cellular subscription required.

2 – DKS VoIP subscription required.

1838 AP (ACCESS PLUS ONLY) Expansion Options

2354-010 Conversion Board 180.00

1815-235 Conversion Board w/Enclosure 316.00

Converts 26-bit Wiegand to RS-485. Requires 12-16 VDC power.

1812-020 12-VDC, 1A Transformer 51.62

1200-080 Transformer Box 234.00

1816-083 Intercom Phone Expansion 1144.00

The 1816-083 expands the "No Phone Line" telephone intercom interface on Access Plus systems from a single phone line up to 11 phone lines. The system can be further expanded to interface with up to a maximum of 23 phone lines.

RS-485 Card Readers (ACCESS PLUS ONLY) 1815-332 DK Prox Reader 412.00

1815-232 ID Tech Reader 504.00

1815-233 AWID Reader 516.00

1815-234 HID Reader 916.00

RS-485 Keypads (ACCESS PLUS ONLY)

1513-081 Surface Mount 542.00

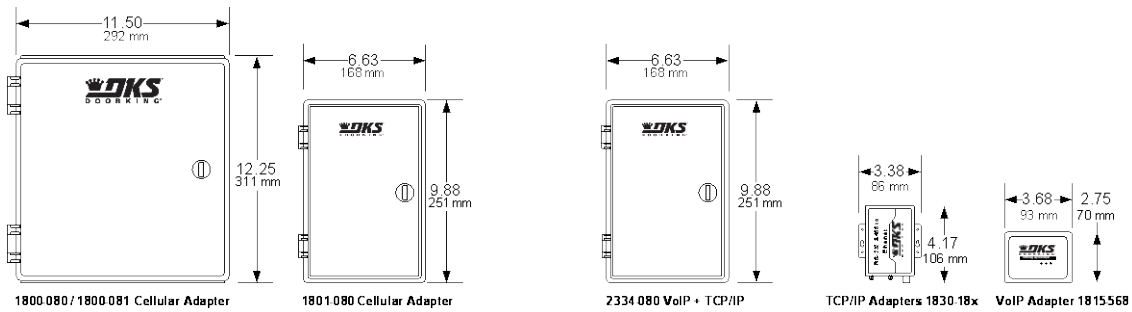
1513-082 Flush Mount 674.00

RS-485 RF Controls (ACCESS PLUS ONLY)

8053-080 MicroPlus Receiver 218.00

Connection Options

Cellular, TCP/IP Network, VoIP

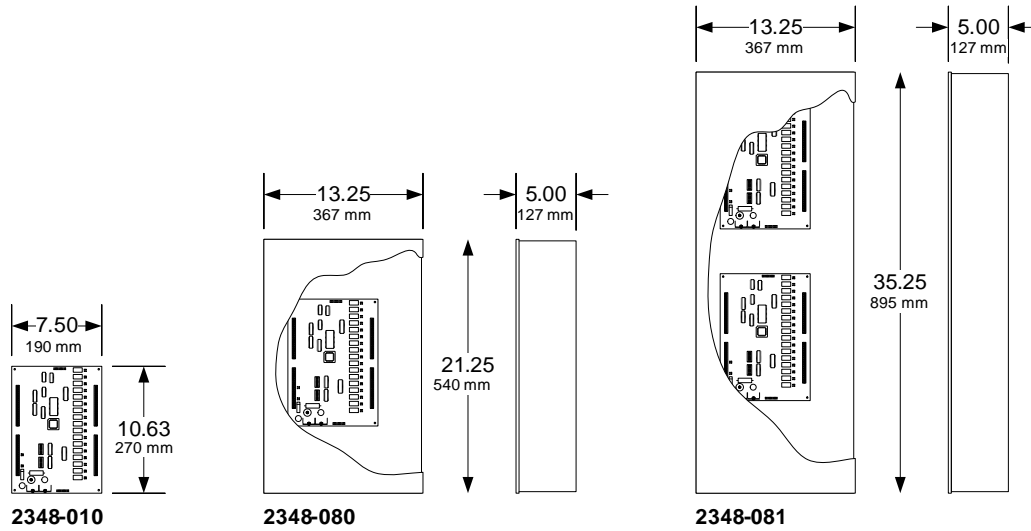


Cellular¹	
1800-080 Voice + Data	654.00
1800-081 Voice + Data (AP models only).....	654.00
1801-080 Voice only	434.00
<i>1. Cellular subscription required.</i>	
VoIP – TCP/IP Control Box^{1,2}	
2334-080 VoIP – TCP/IP Control Box	522.00
<i>1 – DKS VoIP or Data over IP subscription required.</i>	
<i>2 – Combines the 1815-568 and 1830-186 into a common housing with built-in ethernet switch.</i>	

TCP/IP Network Adapters	
1830-185 (Manual setup)	228.00
1830-186 ¹ (Plug & Play)	228.00
<i>1. DKS VoIP or Data over IP subscription required.</i>	
VoIP Adapter	
1815-568 ¹	128.00
<i>1. DKS VoIP subscription required.</i>	

Model 2348

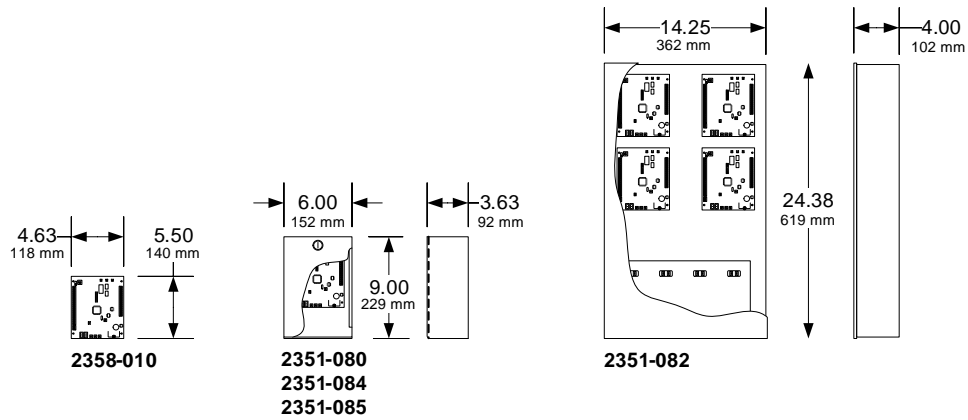
Elevator Control



Elevator Control Board	
2348-040	2216.00
<ul style="list-style-type: none"> Includes mounting hardware. 	
Enclosures¹	
2348-080	2868.00
<ul style="list-style-type: none"> Maximum two (2) 2348 boards. 	
2348-081	3130.00
<ul style="list-style-type: none"> Maximum four (4) 2348 boards. 	
<p><i>1. Includes one (1) 2348 control board and power transformer.</i></p>	

Expansion Boards

Tracker Expansion Boards

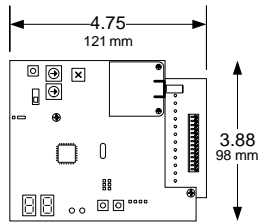


Tracker Expansion Board	
2358-010	516.00
Enclosures	
2351-080	698.00
• Includes one (1) 2358-010 board and 16V, 20 VA transformer.	
2351-084	1142.00
• Includes one (1) 2358-010 board, 1489-080 RF Module, 2.4 GHz and 16V, 20 VA transformer.	
2351-085	1018.00
• Includes one (1) 2358-010 board, 1470-080 RF Module, 900 MHz and 16V, 20 VA transformer.	
2351-082	1206.00
• Includes one (1) 2358-010 board and 16V, 40 VA transformer.	
• Can hold a maximum four (4) 2358-010 boards.	
• Pre-wired.	

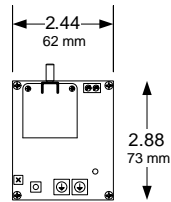
Wireless Kits

Tracker Expansion Board Wireless Kits

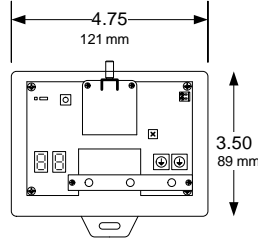
2.4 GHz



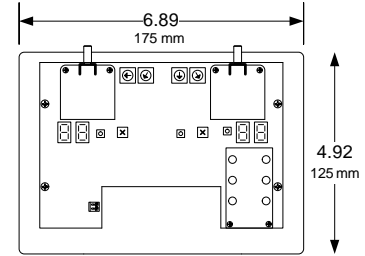
2361-080 Baseboard



1489-080 Expansion

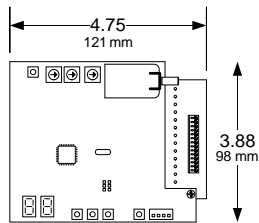


2364-080 Repeater

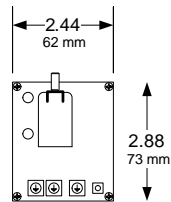


2372-080 Repeater

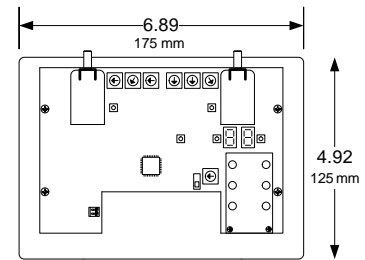
900 MHz



2333-080 Baseboard



1470-080 Expansion



2332-080 Repeater

Baseboard Kits

2361-080 2.4 GHz	576.00
2333-080 900 MHz	620.00

- Plugs into the 1830 series control board.
- Includes antenna kit and vandal resistant disk antenna.

Expansion Board Kits

1489-080 2.4 GHz	304.00
1470-080 900 MHz	368.00

- Plugs into the 2358 expansion board.
- Includes 6-inch and vandal resistant disk antenna.

Single Channel Repeater

2364-080 2.4 GHz	306.00
------------------------	--------

- Extends the range when a single 1489 kit is in use.

Dual Channel Repeaters

2372-080 2.4 GHz	440.00
2332-080 900 MHz	578.00

- Extends the range when multiple 1470 or 1489 kits are in use.

Accessories

1514-075 Antenna Kit 2.4 GHz	60.18
1514-079 900 MHz	60.18

- Includes 6-inch antenna, mounting bracket and 13-foot cable.

8064-046 Extension Cable	49.38
--------------------------------	-------

- Use with 1514-075 and 1514-079.

Antennas

1514-003 6-inch Antenna 2.4 GHz	54.60
1514-004 Disk Antenna 2.4 GHz	36.12

1514-019 6-inch Antenna 900 MHz	33.60
1514-028 Disk Antenna 900 MHz	33.60

Field Range Test Kit 2.4 GHz only

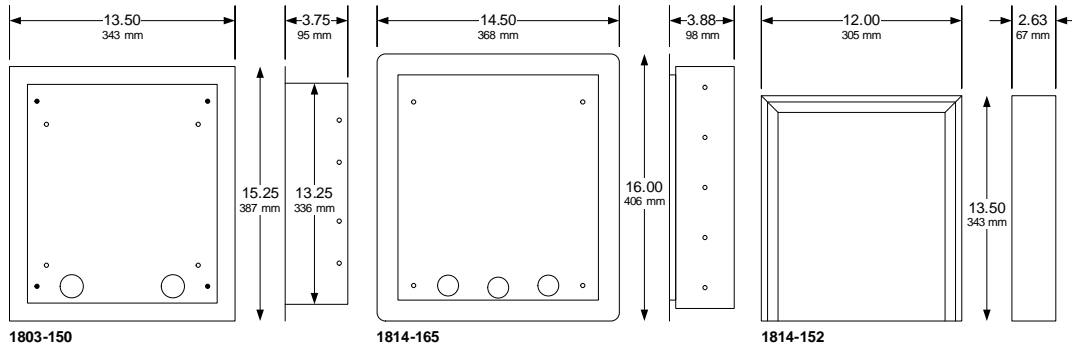
1514-130	838.00
----------------	--------

- Includes a simulated Baseboard Kit, simulated Expansion Board Kit and 1514-075 Antenna Kit.
- Use to verify a good wireless connection between base and remote stations.

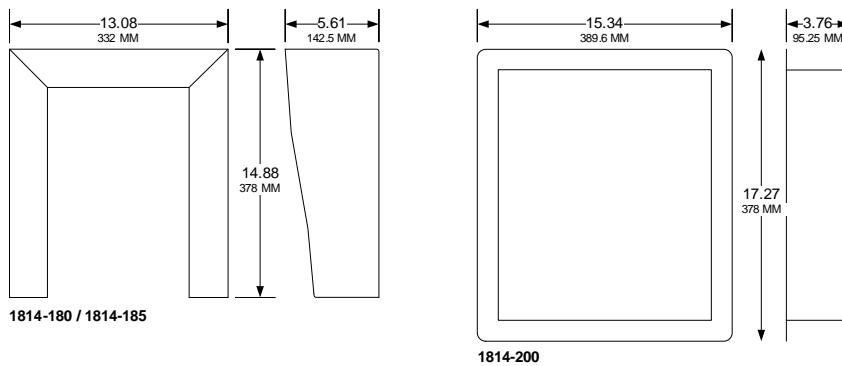
Mounting Kits

Telephone Entry System Mounting Kits

Use with 1803, 1810 and 1833, 1834, 1835, 1837 - 80 Series only



Use with 1834, 1835, 1837 - 90 Series only



80 Series Only

Surface Mount Trim Ring - Black

1803-150236.00

- Use with surface mount 1803, 1810, 1833, 1834, 1835 and 1837 80 Series only.

Flush Kit Stainless Steel

1814-165396.00

- Use with flush mount 1803, 1810, 1833, 1834, 1835 and 1837 80 Series only.

Surface Mount Adapter for Flush Units

1814-152236.00

- Allows a flush mount unit to be mounted directly to a flat surface. Indoor use only.
- Use with flush mount 1803, 1810, 1833, 1834, 1835 and 1837 80 Series only.

90 Series Only

Hood - Stainless Steel

1814-180 430.00

- Use with 1834-090, 1835-090 and 1837-090 systems only.

Hood - Black

1814-185 214.00

- Use with 1834-090, 1835-090 and 1837-090 systems only.

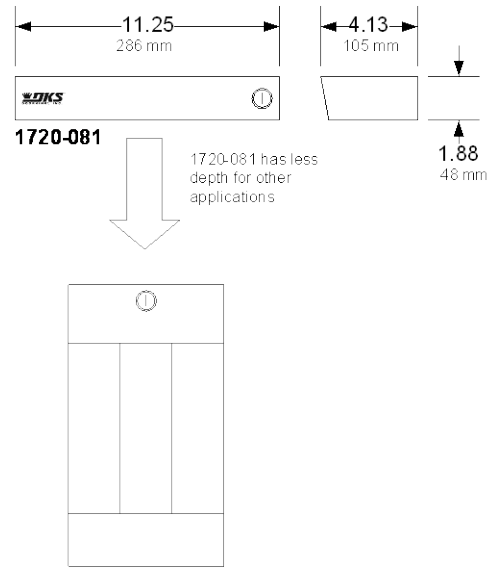
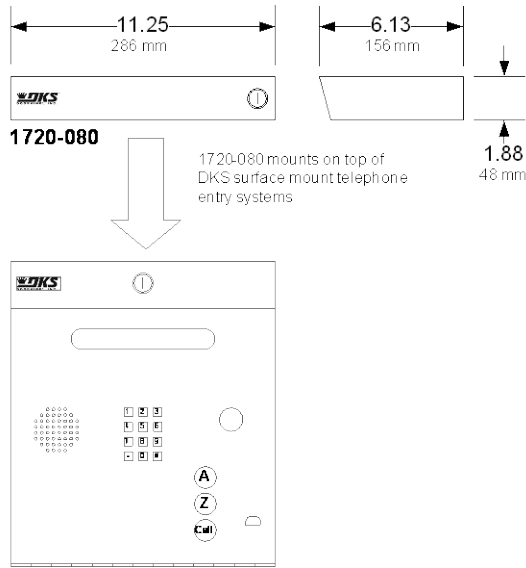
Flush Kit Stainless Steel (rough-in box + trim ring)

1814-200 606.00

- Use with 1834-090, 1835-090 and 1837-090 systems only.

Model 1720

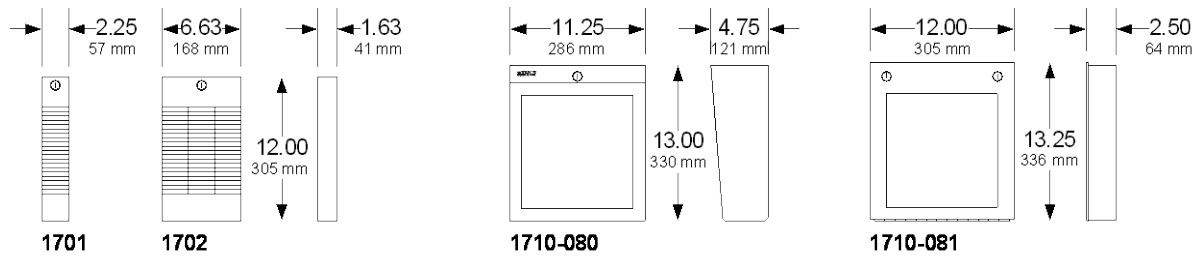
Telephone Entry System LED Light Kit



LED Light Kit - Long	
1720-080	444.00
<ul style="list-style-type: none"> Use with surface mount 1803, 1810, 1833, 1834, 1835 and 1837 systems. 	
LED Light Kit - Short	
1720-081	432.00
<ul style="list-style-type: none"> Use with add-on directory. 	

Model 1701 / 1702 / 1710

Add-On Directories



Add-On Directories – Non-Lighted

1701-080156.00

- 20 name capacity.

1702-080228.00

- 60 name capacity.

Add-On Directories – LED Lighted

1710-080 Surface Mount484.00

1710-081 Flush Mount484.00

- These directories use 8-1/2 x 11 sheet paper. Make your own directory with a word processor program.

Lighted Directory Mounting Accessories

1803-150 Surface Mount recess kit..... 236.00

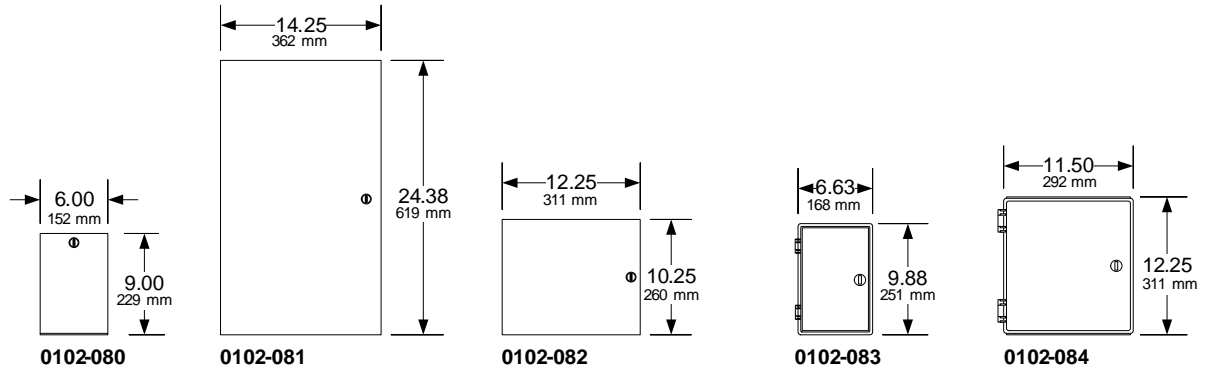
- Use with the 1710-080 directory.

1814-165 Flush Mount kit 396.00

- Use with the 1710-081 directory.

General Purpose Utility Enclosures

Telephone Entry System Accessories



General purpose enclosures have no power receptacles or terminal strips, carry no warranty and are not listed.

0102-080 Small lockable metal enclosure	136.00
0102-081 Large lockable metal enclosure	378.00
0102-082 Medium lockable metal enclosure.....	184.00
0102-083 Small lockable plastic enclosure	164.00
0102-084 Medium lockable plastic enclosure	184.00

Part Number	Height	Width	Depth	Material	Lockable
0102-080	9.00 (229mm)	6.00 (152mm)	3.63 (92mm)	Metal	Yes
0102-081	24.38 (619mm)	14.25 (362mm)	4.00 (102mm)	Metal	Yes
0102-082	10.25 (260mm)	12.25 (311mm)	4.25 (108mm)	Metal	Yes
0102-083	9.88 (251mm)	6.63 (168mm)	4.00 (102mm)	Plastic	Yes
0102-084	12.25 (311mm)	11.50 (292mm)	6.00 (152mm)	Plastic	Yes

Accessories

Handset Kits, Isolation Transformers, Miscellaneous, CCTV Camera Kits

Handset Conversion Kit	
1807-012	422.00
Handset, adapter, hanger and speaker cover	
Replacement Handset	
1807-006	328.00

Isolation Transformers	
1830-140	77.04
Use with 1810, 1833, 1838 1808, 1810, 1812 Access Plus Systems	
1830-142	77.04
Use with 1834, 1835, 1837	

Miscellaneous	
1506-081 Secondary Keypad surface mount	444.00
1506-091 Secondary Keypad flush mount	576.00
1801-008 Backup Battery 12-Volt .8 AH	91.52
1804-193 External Speaker	202.00
Use in high noise areas	
2600-584 Heater Kit	170.00
2600-588 Heater Kit	238.00
2600-582 LCD Heater Kit	52.98
1816-070 Line Sense Relay	52.98
2600-657 Replacement Key 16120	7.60

Key Lock Sets (Lock + 2 Keys)	
4001-035 Lock #16120 (standard key lock)	21.24
4001-038 Lock #16121	21.24
4001-039 Lock #16122	21.24
4001-041 Lock #16123	21.24
4001-042 Lock #16124	21.24
4001-043 Lock #16125	21.24
4001-044 Lock #16126	21.24
4001-045 Lock #16127	21.24
4001-046 Lock #16128	21.24
4001-047 Lock #16129	21.24
4001-048 Lock #16130	21.24

CCTV Camera Kit – High Resolution	
1812-145	1022.00
High resolution color camera kit (camera, mounting bracket, wire harness, power supply)	
Use this camera with the following models:	
1504-080, 1504-081, 1504-082, 1504-083, 1504-084, 1504-085, 1504-086, 1504-090, 1504-091, 1504-120, 1504-121, 1504-122, 1504-123, 1504-124	
1802-082, 1802-089, 1802-090, 1802-091, 1802-092	
1803-080, 1803-084, 1803-090, 1803-092	
1808-081, 1808-082, 1808-083, 1808-084, 1808-085	
1810-084, 1810-090, 1810-096	
1812-083, 1812-084, 1812-088, 1812-093, 1812-094	
1819-080	
1833-080, 1833-084	
1834-084, 1834-089	
1835-084, 1835-089	
1837-080, 1837-084, 1837-089	
1838-120, 1838-021, 1838-122, 1838-123, 1838-124	
CCTV Camera Kit – High Resolution	
1812-147	1022.00
High resolution color camera kit (camera, mounting bracket, wire harness, power supply)	
Use this camera with the following models:	
1810-080, 1810-088, 1810-095	
1812-076, 1812-077, 1812-078, 1812-079, 1812-081, 1812-085, 1812-086, 1812-087, 1812-089, 1812-090, 1812-091, 1812-092, 1812-095, 1812-096, 1812-097	
1815-247, 1815-248, 1815-249, 1815-250, 1815-251	
1834-080, 1834-090	
1835-080, 1835-090	
1837-090	
1838-228	
Video Adapter	
1812-039	506.00
Converts coax to twisted pair for wire runs of up to 3000-ft (B/W) or 1600-ft (color), two required	

Replacement Components

Electronic Components

Circuit Boards	
1862-010	1012.00
Use with 1802, 1802-EPD, 1803, 1808, 1810, 1819	
1863-010	722.00
Use with all "P" series lobby panels	
1871-010	1474.00
Use with 1812 Classic only	
1971-010	1474.00
Use with 1812 Plus only	
1885-010	1806.00
Use with 1816 and 1820 only	
1833-010	1806.00
Use with 1833 only	
1834-010	1926.00
Use with 1834-080 and 1834-084 only	
1834-009	1926.00
Use with 1834-089 and 1834-090 only	
1835-010	2216.00
Use with 1835-080 and 1835-084 only	
1835-009	2216.00
Use with 1835-089 and 1835-090 only	
1837-010	1806.00
Use with 1837 only	
1838-010	1832.00
Use with 1838 only	
1970-010	1714.00
Use with 1802 AP, 1808 AP, 1810 AP, 1812 AP, 1838 AP	
2354-010	180.00
RS-485 to Wiegand interface board	

Keypads	
1895-016.....	140.00
Keypad with letters	
1895-017.....	140.00
Keypad no letters	
1895-019.....	132.00
Keypad 10-pin	
1804-038.....	25.28
Ribbon cable for 1895-016 & 1895-017	
1804-155.....	156.00
Keypad (no letters) & ribbon cable	
1804-156.....	156.00
Keypad (with letters) & ribbon cable	
1895-032.....	150.00
Keypad, green back lighted	
1895-060.....	328.00
Lighted keypad-green, A-Z-CALL button retrofit kit	
1804-158.....	158.00
Lighted keypad-green, retrofit kit	

LCD Displays	
1891-010 Single-Line 20 Character	842.00
Use with 1834, 1835	
1896-012 Eight-Line 20 Character	842.00
Use with 1837 only	
1890-010 Single-Line 8 Character	278.00
Use with 1802, 1803 and 1810	
1902-010 Single-Line 16 Character	402.00
Use with 1802 EPD only	

Miscellaneous	
1998-020	106.00
Replacement microphone kit	
1998-010	106.00
Replacement microphone board	
1997-190	12.64
Microphone wire harness for 1998-010 only	
1804-290	28.90
5-watt speaker (square)	
1817-190	40.92
Oval speaker	
1815-016	25.24
Ribbon cable for 1896-018 display	

LED Light Kits	
1804-700.....	62.62
Use with 1810 surface mount	
1804-701.....	24.08
Use with 1802	
1804-702.....	43.34
Use with 1808, 1834, 1835 surface mount	
1804-703.....	43.34
Use with 1710 directory	
1804-704.....	24.08
Use with 1812	
1804-707.....	43.34
Use with 1810 flush mount	

Blank Page

Table of Contents

Card Readers

DK Prox Proximity Card Readers.....	4
HID Card Readers.....	6
AWID Card Readers	8
ID-Teck Card Readers	10

Keypads

Digital Key Pads	12
------------------------	----

RF Controls

MicroPlus RF Controls	14
MicroClik RF Controls	16

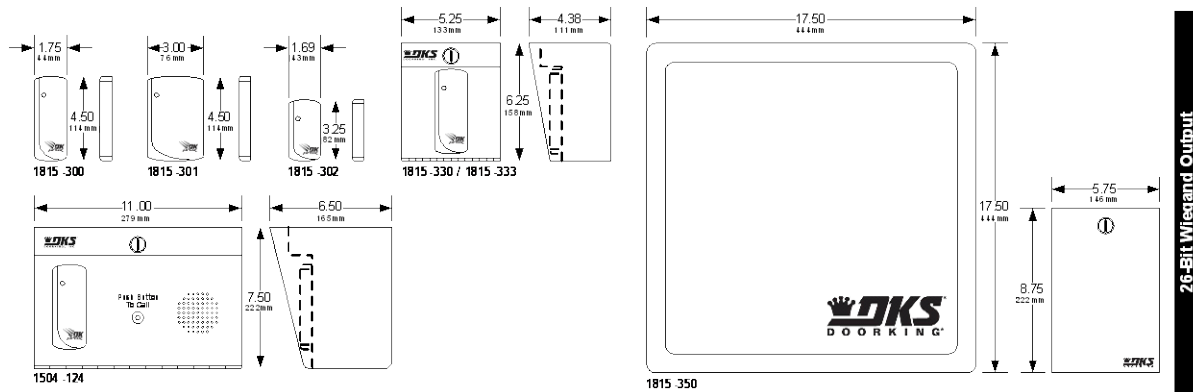
Miscellaneous Controls

Key Switches	18
Exit Push Buttons.....	19
Postal & Fire Department Lock Boxes	20

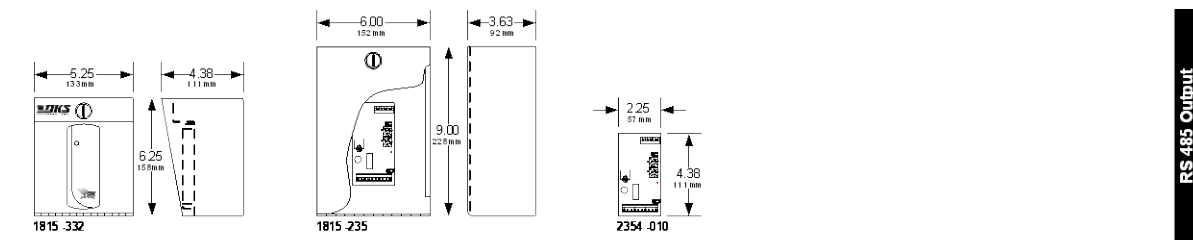
Door and Gate Locks

1200 Lb. Magnetic Door Locks	22
600 Lb. Magnetic Door Locks	23
300 Lb. Mini-locks, 2000 Lb. Shear Lock.....	24
1200 Lb, 600 Lb. Magnetic gate Locks.....	25
Electric Dead-bolts and Door Strikes	26
Magnetic Door Backup Power Supplies.....	27

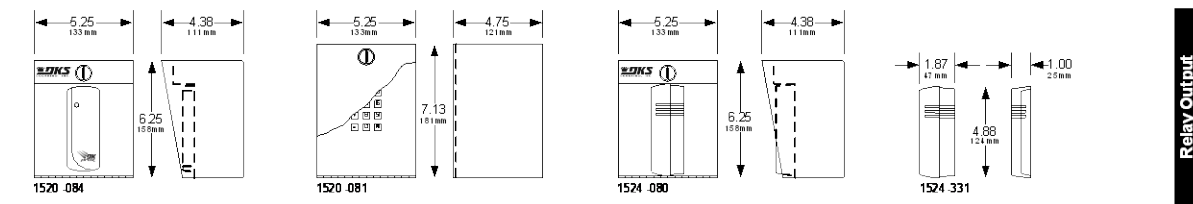
DK Prox Card Readers



26-Bit Wiegand Output



RS-485 Output



Relay Output

26-Bit Wiegand Output

1815-300 Up to 3-inch range.....	138.00
1815-301 Up to 4-inch range.....	138.00
1815-302 Up to 2-inch range.....	138.00
1815-330 (1815-300 reader w/enclosure).....	258.00
1815-333 (1815-330 w/expansion board).....	836.00
1815-350 Up to 25-foot range.....	2948.00
1504-124 (1815-300 w/intercom substation).....	614.00

RS-485 Output (ACCESS PLUS ONLY)

1815-332 Up to 3-inch range.....	432.00
1815-235 (2354-010 w/enclosure).....	316.00
2354-010 (26-Bit Wiegand to RS-485 converter).....	180.00

Relay Output (Stand Alone)

1520-084.....	782.00
1520-081 Controller only.....	722.00
<ul style="list-style-type: none"> 1520 reader/controller can store up to 1000 card codes 3600 event history buffer Built-in programming keypad Timed anti-pass back, hold open time zones 	
1524-080 (1524-331 w/enclosure).....	470.00
1524-331.....	348.00
1815-340 Replacement Programmer.....	57.34
<ul style="list-style-type: none"> 1524 reader can store up to 1000 card codes Use 1815-340 hand held programmer to add / delete individual cards or blocks of cards 	

DK Prox Cards

Cards are sold in blocks of 50 only.

These cards are factory pre-coded. Card numbers may, or may not be, in numerical sequence.

1508-120 Clamshell Cards

50-100.....	5.06
150-500.....	4.66
550-950.....	4.26
1000+.....	3.86

1508-121 ISO Graphics Cards

50-100.....	7.00
150-500.....	6.60
550-950.....	6.20
1000+.....	5.80

1508-123 Key Tags

50-100.....	7.48
150-500.....	7.08
550-950.....	6.68
1000+.....	6.28

UHF DK Prox Cards

These cards are factory pre-coded. Card numbers may, or may not be, in numerical sequence.

1508-191 ISO Card UHF Only	12.02
1508-198 ISO Card UHF/DK Prox Dual Tech.....	14.20
1815-318 Windshield Holder	4.36
1815-319 Rearview Mirror Holder	4.36

1508-191 can only be used with 1815-350 card reader. 1508-198 dual technology card can be used with both 1815-350 and all other DK Prox card readers.

DKProx Card Identifier for PC

1815-640.....	126.00
---------------	--------

This stand-alone accessory connects to a PC via a USB cable and will read the card code when presented to the identifier. This is useful for cards that have no numbers printed on them or the card number has worn off.

Requires software, for free download go to:
<http://www.doorking.com/accessories/access-control-accessories/dkprox-card-identifier>

Special Order cards are sold in blocks of 100 only.

DK Prox Cards - Special Order¹

These cards include sequential coding, specific card numbers and specific start / stop numbering sequences.

1508-127 Clamshell Cards

50-100.....	7.48
150-500.....	7.08
550-950.....	6.68
1000+.....	6.28

1508-128 ISO Graphics Cards

50-100.....	9.40
150-500.....	9.00
550-950.....	8.60
1000+.....	8.20

1508-129 Key Tags

50-100.....	9.90
150-500.....	9.50
550-950.....	9.10
1000+.....	8.70

UHF DK Prox Cards – Special Order¹

These cards include sequential coding, specific card numbers and specific start / stop numbering sequences.

1508-190 ISO Card UHF Only	14.20
1508-197 ISO Card UHF/DK Prox Dual Tech.....	16.38
1815-318 Windshield Holder	4.36
1815-319 Rearview Mirror Holder	4.36

1508-195 Headlight Tag

1-50.....	13.10
51-150.....	12.30
151-500.....	11.50
501-999.....	10.70
1000+.....	9.90

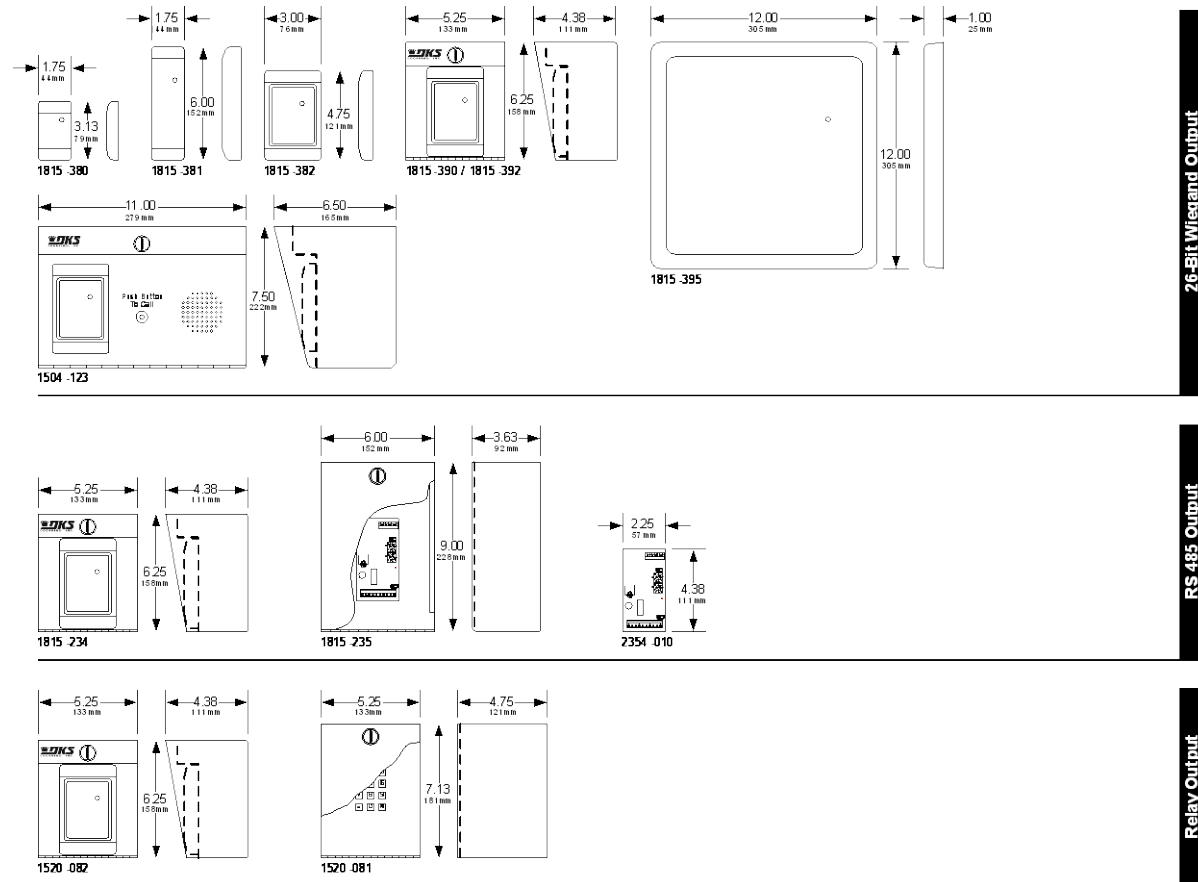
1508-199 License Plate Tag

1-50.....	13.10
51-150.....	12.30
151-500.....	11.50
501-999.....	10.70
1000+.....	9.90

1508-191, 1508-195 and 1508-199 can only be used with 1815-350 card reader. 1508-198 dual technology cards can be used with both 1815-350 and all other DK Prox card readers.

Note 1: Special orders cannot be returned for credit.

HID Proximity Card Readers



26-Bit Wiegand Output	
1815-380 (ProxPoint Plus) Up to 3-inch range.....	326.00
1815-381 (MiniProx) Up to 5-inch range	638.00
1815-382 (ThinLine) Up to 5-inch range	612.00
1815-390 (1815-382 reader w/enclosure).....	704.00
1815-392 (1815-390 w/expansion board)	1222.00
1504-123 (1815-382 w/intercom substation).....	796.00
1815-395 (MaxiProx) Up to 6-foot range	1926.00
<ul style="list-style-type: none"> Use 1508-014 Active Tags with 1815-395 	
RS-485 Output (ACCESS PLUS ONLY)	
1815-234 (ThinLine) Up to 5-inch range	916.00
1815-235 (2354-010 w/enclosure)	316.00
2354-010 (26-Bit Wiegand to RS-485 converter).....	180.00

Relay Output (Stand Alone)	
1520-082.....	1058.00
1520-081 Controller only	722.00
<ul style="list-style-type: none"> 1520 reader/controller can store up to 1000 card codes 3600 event history buffer Built-in programming keypad Timed anti-pass back, hold open time zones 	

HID Prox Cards

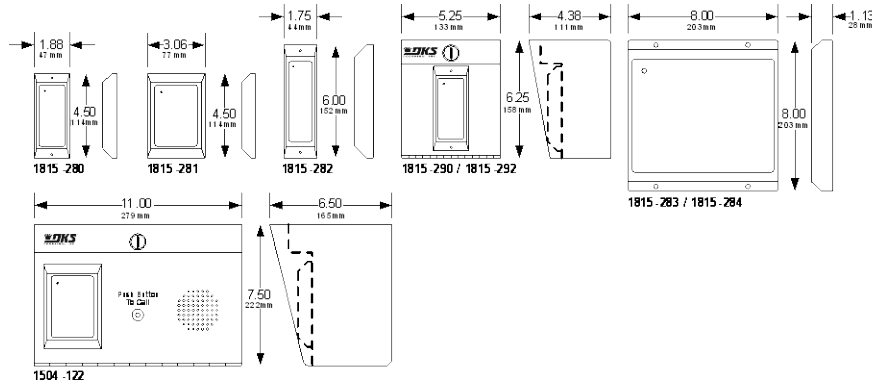
Cards are sold in blocks of 50 only.

Special order cards are sold in blocks of 100 only.

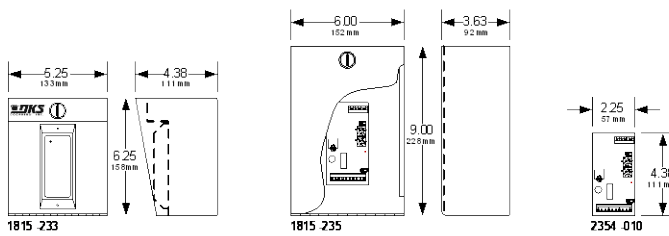
HID Prox Cards	
These cards are factory pre-coded. Card numbers may, or may not be, in numerical sequence.	
1508-018 ProxCards Clamshell Cards	
50-100.....	7.48
150-500.....	7.08
550-950.....	6.68
1000+.....	6.28
1508-017 Prox ISO Graphics Cards	
50-100.....	11.82
150-500.....	11.42
550-950.....	11.02
1000+.....	10.62
1508-016 ProxKey Key Tags	
50-100.....	12.30
150-500.....	11.90
550-950.....	11.50
1000+.....	11.10

HID Prox Cards - Special Order¹	
These cards include sequential coding, specific card numbers and specific start / stop numbering sequences.	
1508-143 ProxCards Clamshell Cards	
50-100.....	9.90
150-500.....	9.50
550-950.....	9.10
1000+.....	8.70
1508-144 Prox ISO Graphics Cards	
50-100.....	14.22
150-500.....	13.82
550-950.....	13.42
1000+.....	13.02
1508-145 ProxKey Key Tags	
50-100.....	14.70
150-500.....	14.30
550-950.....	13.90
1000+.....	13.50
1508-014 ProxPass Active Tags (use with 1815-395 only)	
1-9.....	95.86
10-30.....	92.86
40-100.....	89.96
110-490.....	86.96
500+.....	83.96
Note 1: Special orders cannot be returned for credit.	

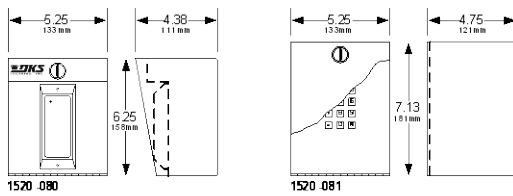
AWID Proximity Card Readers



26-Bit Wiegand Output



RS-485 Output



Relay Output

26-Bit Wiegand Output

1815-280 (SR 2400) Up to 4-inch range	218.00
1815-281 (SP 6820) Up to 8-inch range	390.00
1815-282 (MM 6800) Up to 2-inch range	390.00
1815-290 (1815-280 reader w/enclosure)	326.00
1815-292 (1815-290 w/expansion board)	842.00
1815-283 (MR 1824) Up to 24 inch range	782.00
1815-284 (MR 1824 MC) Up to 16 inch range	964.00
1504-122 (1815-281 w/intercom substation)	694.00

RS-485 Output (ACCESS PLUS ONLY)

1815-233 Up to 3-inch range	516.00
1815-235 (2354-010 w/enclosure)	316.00
2354-010 (26-Bit Wiegand to RS-485 converter)	180.00

Relay Output (Stand Alone)

1520-080	868.00
1520-081 Controller only	722.00

- 1520 reader/controller can store up to 1000 card codes
- 3600 event history buffer
- Built-in programming keypad
- Timed anti-pass back, hold open time zones

AWID Prox Cards

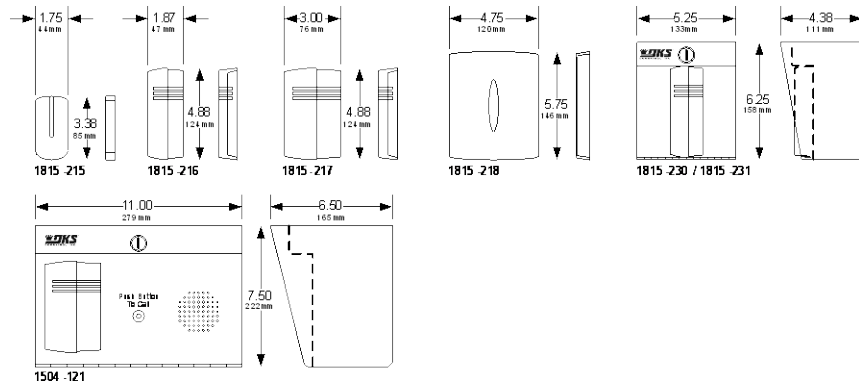
Cards are sold in blocks of 50 only.

Special order cards are sold in blocks of 100 only.

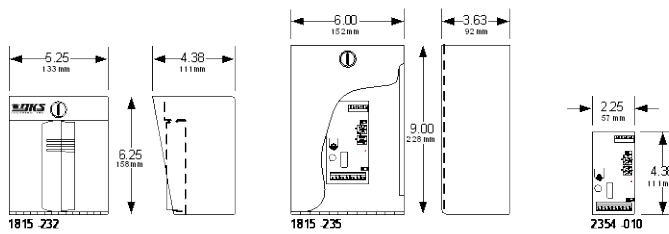
AWID Prox Cards	
These cards are factory pre-coded. Card numbers may, or may not be, in numerical sequence.	
1508-020 Prox-Linc Clamshell Cards	
50-100.....	6.26
150-500.....	5.86
550-950.....	5.46
1000+.....	5.06
1508-021 Prox-Linc GR ISO Graphics Cards	
50-100.....	9.52
150-500.....	9.12
550-950.....	8.72
1000+.....	8.32
1508-022 Prox-Linc KT Key Tags	
50-100.....	10.12
150-500.....	9.72
550-950.....	9.32
1000+.....	8.92

AWID Prox Cards - Special Order¹ (minimum 100)	
These cards include sequential coding, specific card numbers and specific start / stop numbering sequences.	
1508-132 Prox-Linc Clamshell Cards	
50-100.....	8.68
150-500.....	8.28
550-950.....	7.88
1000+.....	7.48
1508-133 Prox-Linc GR ISO Graphics Cards	
50-100.....	11.92
150-500.....	11.52
550-950.....	11.12
1000+.....	10.72
1508-134 Prox-Linc KT Key Tags	
50-100.....	12.52
150-500.....	12.12
550-950.....	11.72
1000+.....	11.32
Note 1: Special orders cannot be returned for credit.	

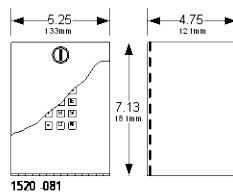
ID-Teck Proximity Card Readers



26-Bit Wiegand Output



RS-485 Output



Relay Output

26-Bit Wiegand Output

1815-215 (RF Tiny) Up to 3-inch range	228.00
1815-216 (RF 10) Up to 3-inch range	228.00
1815-217 (RF 20) Up to 3-inch range	228.00
1815-218 (RF 30) Up to 12 inch range	626.00
1815-230 (1815-216 reader w/enclosure)	322.00
1815-231 (1815-230 w/expansion board)	826.00
1504-121 (1815-217 w/intercom substation)	700.00

RS-485 Output (ACCESS PLUS ONLY)

1815-232 Up to 3-inch range	504.00
1815-235 (2354-010 w/enclosure)	316.00
2354-010 (26-Bit Wiegand to RS-485 converter)	180.00

Relay Output (Stand Alone)

1520-081 Controller only	722.00
--------------------------------	--------

- 1520 reader/controller can store up to 1000 card codes
- 3600 event history buffer
- Built-in programming keypad
- Timed anti-pass back, hold open time zones

ID-Teck Prox Cards

Note: cards will work with the following ID-Teck Prox readers only:
 1815-215, 1815-216, 1815-217, 1815-218, 1815-230, 1815-231, 1504-121

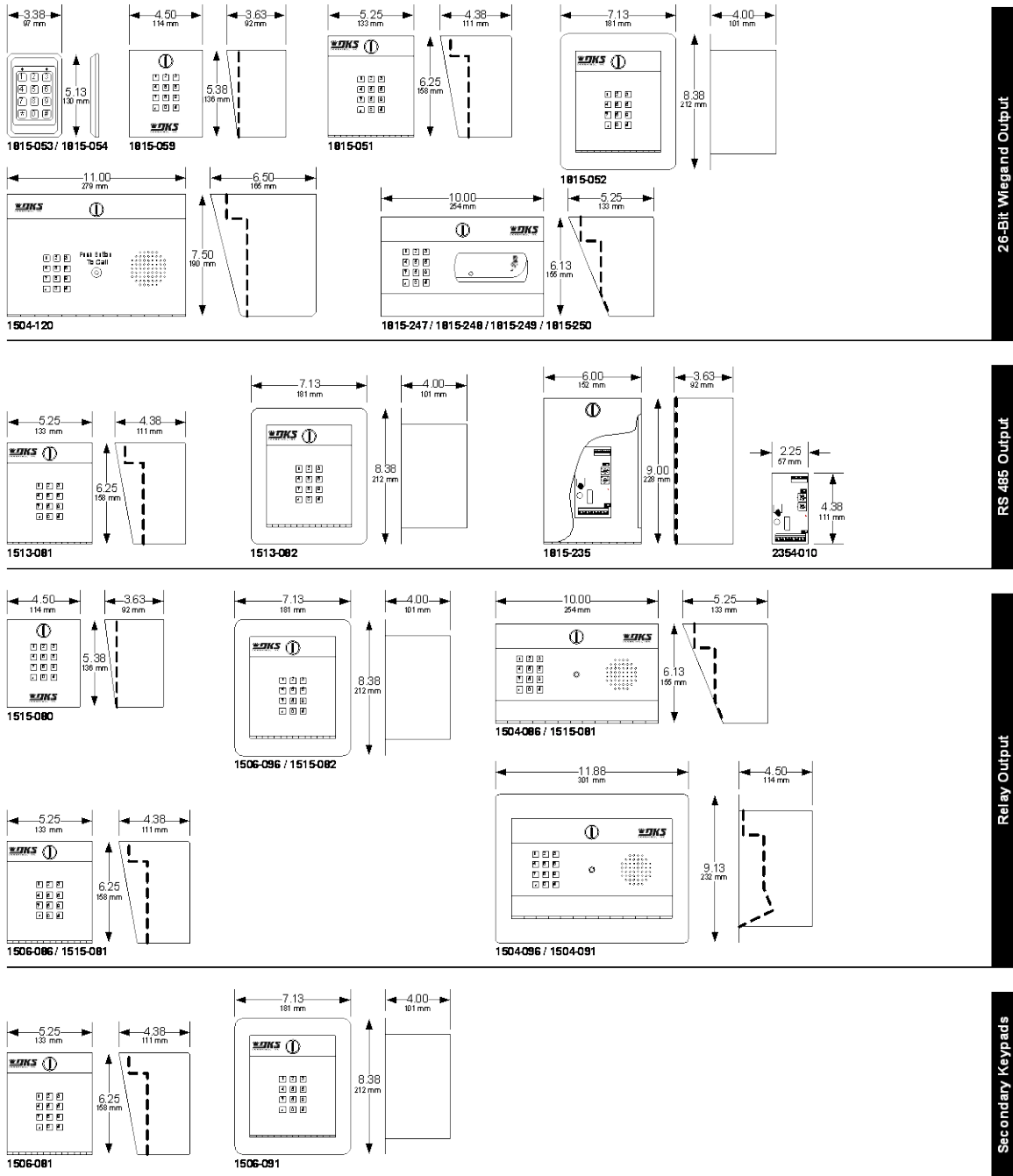
Cards are sold in blocks of 50 only.

ID-Teck Prox Cards	
These cards are factory pre-coded. Card numbers may, or may not be, in numerical sequence.	
1508-110 RF 170 Clamshell Cards	
50-100.....	7.32
150-500.....	6.92
550-950.....	6.52
1000+.....	6.12
1508-111 RF 80 ISO Graphics Cards	
50-100.....	11.82
150-500.....	11.42
550-950.....	11.02
1000+.....	10.62
1508-112 RF 50 Key Tags	
50-100.....	12.52
150-500.....	12.12
550-950.....	11.72
1000+.....	11.32

Special order cards are sold in blocks of 100 only.

ID-Teck Prox Cards - Special Order¹	
These cards include sequential coding, specific card numbers and specific start / stop numbering sequences.	
1508-136 RF 170 Clamshell Cards	
50-100.....	9.74
150-500.....	9.34
550-950.....	8.94
1000+.....	8.54
1508-137 RF 80 ISO Graphics Cards	
50-100.....	14.22
150-500.....	13.82
550-950.....	13.42
1000+.....	13.02
1508-138 RF 50 Key Tags	
50-100.....	14.94
150-500.....	14.54
550-950.....	14.14
1000+.....	13.74
Note 1: Special orders cannot be returned for credit.	

Keypads



Keypads

26-Bit Wiegand Output

These keypads must be connected to a 26-bit wiegand controller, such as the DK 1830 Series. They are not stand-alone devices.

1815-053 (Silver finish)	890.00
1815-054 (Black finish).....	890.00

- Vandal resistant, piezoelectric, 5-12 VDC.
- Mounts on single-gang electric box.

1815-059 Surface Mount	412.00
------------------------------	--------

- NFC programming with DK Manager app (free from Google Play store), Android only.
- Low power solar mode.

1815-051 Surface Mount	532.00
------------------------------	--------

1815-052 Flush Mount.....	662.00
---------------------------	--------

1504-120 Surface Mount w/intercom substation	808.00
--	--------

1815-247 Surface Mount	1034.00
------------------------------	---------

- Keypad with ID Tech (1815-216) card reader.

1815-248 Surface Mount	1072.00
------------------------------	---------

- Keypad with AWID (1815-281) card reader.

1815-249 Surface Mount	1192.00
------------------------------	---------

- Keypad with HID (1815-382) card reader.

1815-250 Surface Mount	990.00
------------------------------	--------

- Keypad with DK Prox (1815-300) card reader.

RS-485 Output (ACCESS PLUS ONLY)

These keypads must be connected to a RS-485 controller, such as the DK Access Plus Series. They are not stand-alone devices.

1513-081 Surface Mount	542.00
------------------------------	--------

1513-082 Flush Mount.....	674.00
---------------------------	--------

1815-235 (2354-010 w/enclosure).....	316.00
--------------------------------------	--------

2354-010 (26-Bit Wiegand to RS-485 converter)	180.00
---	--------

Relay Output (Stand Alone)

These keypads use a dry relay(s) contact and are designed to be used as a stand-alone device.

1506-086 Surface Mount	662.00
------------------------------	--------

1506-096 Flush Mount.....	796.00
---------------------------	--------

1504-086 Surface Mount w/intercom substation	820.00
--	--------

1504-096 Flush Mount w/intercom substation.....	1012.00
---	---------

- 2 Form C dry contact relays.
- 1000 four (4) digit entry codes.
- 6 five (5) digit entry codes.
- Hold open codes.
- Time zone inputs.

1515-080 Surface Mount	390.00
------------------------------	--------

1515-081 Surface Mount	520.00
------------------------------	--------

1515-082 Flush Mount.....	642.00
---------------------------	--------

1504-081 Surface Mount w/intercom substation	668.00
--	--------

1504-091 Flush Mount w/intercom substation.....	732.00
---	--------

- 1 Form C dry contact relay.
- 400 four (4) or five (5) digit entry codes.
- Hold open codes.
- NFC programming with DK Manager app (free from Google Play store), Android only.
- Low power solar mode.

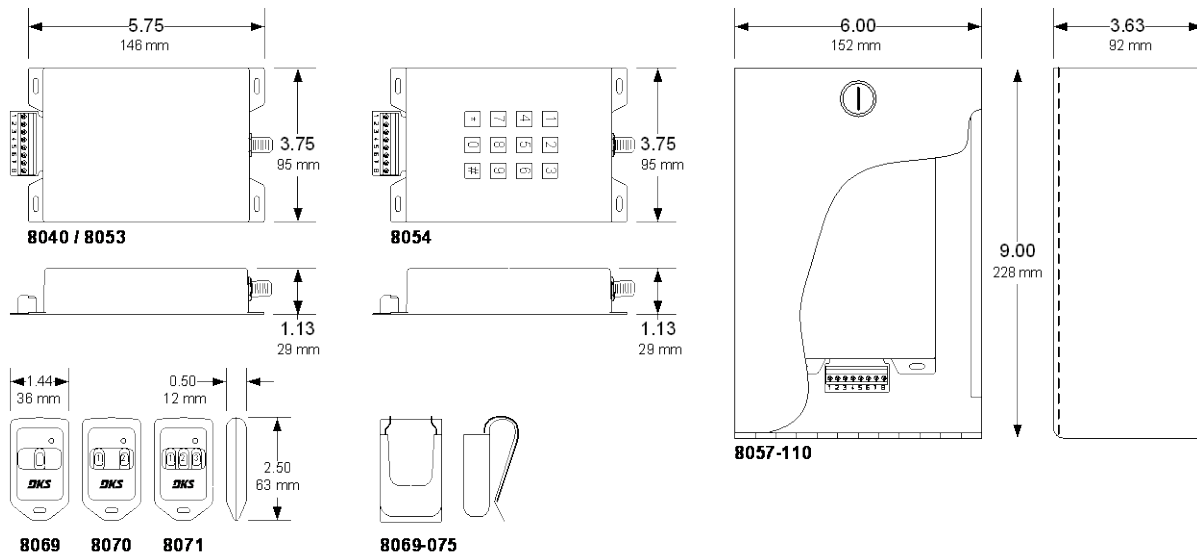
Secondary Keypad

These keypads can only be used with DK telephone entry systems.

1506-081 Surface Mount	444.00
------------------------------	--------

1506-091 Flush Mount.....	576.00
---------------------------	--------

MicroPLUS RF Controls



26-Bit Wiegand Output

8040-080194.00

- 5300 Transmitter codes.
- 26, 30 or 31-bit wiegand format.

8040-090194.00

- 5300 Transmitter codes.
- 26, 30 or 31-bit wiegand format.
- Compatible with Elite Series¹ DT-418 transmitters.

1. Elite Series is a registered trademark of The Chamberlain Group, Inc.

RS-485 Output (ACCESS PLUS ONLY)

8053-080218.00

- 5300 Transmitter codes.

Relay Output (Stand Alone)

8040-080 100 Transmitter codes 194.00

- Program via the “learn” method.
- Individual codes cannot be deleted.

8054-081 50 Transmitter codes 390.00

8054-082 100 Transmitter codes 458.00

8054-083 250 Transmitter codes 520.00

8054-084 500 Transmitter codes 584.00

8054-085 1000 Transmitter codes 652.00

8054-086 1250 Transmitter codes 714.00

- Built-in time clock, 10 programmable time zones.
- 2300 event history buffer.
- Can be connected to a serial printer.

Receiver Accessories

8057-110 Lockable outdoor enclosure..... 116.00

1514-073 Coax Antenna kit..... 57.80

1514-072 High Gain antenna 318 MHz 208.00

8052-080 Antenna Amplifier 318 MHz..... 240.00

MicroPlus Transmitters / ProxMitters (Transmitter w/proximity card reader built-in)

IMPORTANT! The prices shown are for block-coded transmitters ordered in multiples of 10 only. Add \$3.00 per transmitter for any order specifying transmitter numbering sequence or facility codes.

8069-080 1 Button	
10-30.....	37.80
40-100.....	35.80
110+.....	31.80
8070-080 2 Button	
10-30.....	39.90
40-100.....	37.90
110+.....	33.90
8071-080 3 Button	
10-30.....	42.00
40-100.....	40.00
110+.....	36.00

8069-087 1 Button w/DK Prox Tag	
10-30.....	47.26
40-100.....	45.26
110+.....	41.26
8070-087 2 Button w/DK Prox tag	
10-30.....	49.36
40-100.....	47.36
110+.....	43.36
8071-087 3 Button w/DK Prox Tag	
10-30.....	51.46
40-100.....	49.46
110+.....	45.46

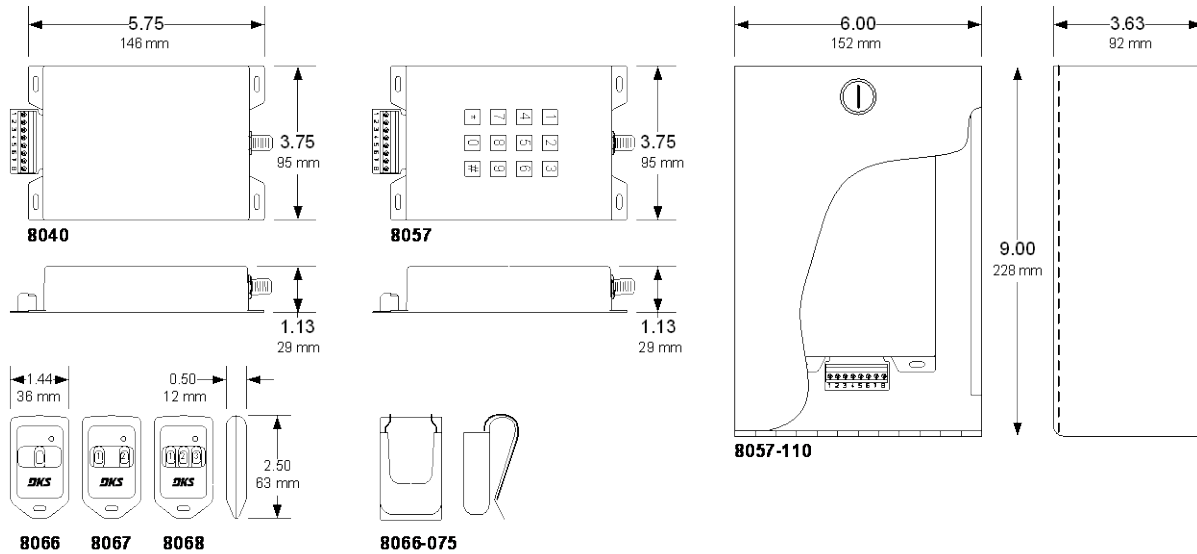
8069-082 1 Button w/AWID Tag	
10-30.....	47.26
40-100.....	45.26
110+.....	41.26
8070-082 2 Button w/AWID Tag	
10-30.....	49.36
40-100.....	47.36
110+.....	43.36
8071-082 3 Button w/AWID Tag	
10-30.....	51.46
40-100.....	49.46
110+.....	45.46

8069-084 1 Button w/HID Tag	
10-30.....	47.26
40-100.....	45.26
110+.....	41.26
8070-084 2 Button w/HID Tag	
10-30.....	49.36
40-100.....	47.36
110+.....	43.36
8071-084 3 Button w/HID Tag	
10-30.....	51.46
40-100.....	49.46
110+.....	45.46

8069-086 1 Button w/IDTeck Tag	
10-30.....	47.26
40-100.....	45.26
110+.....	41.26
8070-086 2 Button w/IDTeck Tag	
10-30.....	49.36
40-100.....	47.36
110+.....	43.36
8071-086 3 Button w/IDTeck Tag	
10-30.....	51.46
40-100.....	49.46
110+.....	45.46

MicroPlus Visor Clips (Black)	
8069-075	
1-30.....	3.96
31-100.....	3.46
101+.....	2.96

MicroClik RF Controls



26-Bit Wiegand Output

8040-080194.00

- 5300 Transmitter codes.
- 26, 30 or 31-bit wiegand format.

8040-090194.00

- 5300 Transmitter codes.
- 26, 30 or 31-bit wiegand format.
- Compatible with Elite Series¹ DT-418 transmitters.

1. Elite Series is a registered trademark of The Chamberlain Group, Inc.

Relay Output (Stand Alone)

8040-080 100 Transmitter codes 194.00

- Program via the “learn” method.
- Individual codes cannot be deleted.

8057-081 50 Transmitter codes 326.00

8057-082 100 Transmitter codes 390.00

8057-083 250 Transmitter codes 452.00

8057-084 500 Transmitter codes 520.00

8057-085 1000 Transmitter codes 584.00

8057-086 5000 Transmitter codes 652.00

8057-088 16,000 Transmitter codes 714.00

- Built-in time clock, 10 programmable time zones.
- 2300 event history buffer.
- Can be connected to a serial printer.

Receiver Accessories

8057-110 Lockable outdoor enclosure..... 116.00

1514-073 Coax Antenna kit..... 57.80

1514-072 High Gain antenna 318 MHz 208.00

8052-080 Antenna Amplifier 318 MHz..... 240.00

MicroClik Transmitters / ProxMitters (Transmitter w/proximity card reader built-in)

IMPORTANT! The prices shown are for block-coded transmitters ordered in multiples of 10 only. Add \$3.00 per transmitter for any order specifying transmitter numbering sequence or facility codes.

8066-080 1 Button	
10-30.....	39.90
40-100.....	37.90
110+.....	33.90
8067-080 2 Button	
10-30.....	42.00
40-100.....	40.00
110+.....	36.00
8068-080 3 Button	
10-30.....	44.10
40-100.....	42.10
110+.....	38.10

8066-085 1 Button w/DK Prox Tag	
10-30.....	49.36
40-100.....	47.36
110+.....	43.36
8067-085 2 Button w/DK Prox Tag	
10-30.....	51.46
40-100.....	49.46
110+.....	45.46
8068-085 3 Button w/DK Prox Tag	
10-30.....	53.56
40-100.....	50.56
110+.....	46.56

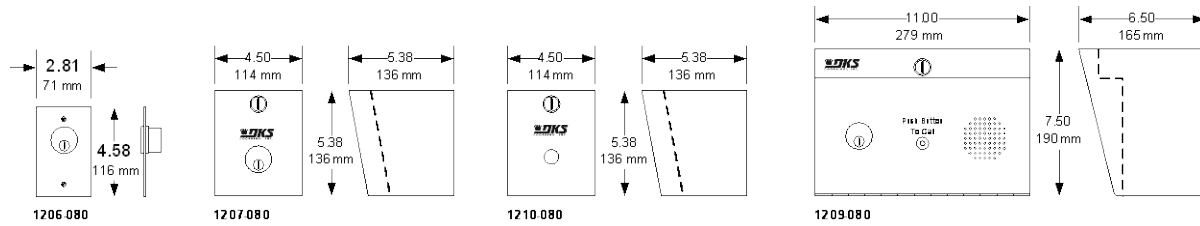
8066-082 1 Button w/AWID Tag	
10-30.....	49.36
40-100.....	47.36
110+.....	43.36
8067-082 2 Button w/AWID Tag	
10-30.....	51.46
40-100.....	49.46
110+.....	45.46
8068-082 3 Button w/AWID Tag	
10-30.....	53.56
40-100.....	50.56
110+.....	46.56

8066-083 1 Button w/HID Tag	
10-30.....	49.36
40-100.....	47.36
110+.....	43.36
8067-083 2 Button w/HID Tag	
10-30.....	51.46
40-100.....	49.46
110+.....	45.46
8068-083 3 Button w/HID Tag	
10-30.....	53.56
40-100.....	50.56
110+.....	46.56

8066-084 1 Button w/IDTeck Tag	
10-30.....	49.36
40-100.....	47.36
110+.....	43.36
8067-084 2 Button w/IDTeck Tag	
10-30.....	51.46
40-100.....	49.46
110+.....	45.46
8068-084 3 Button w/IDTeck Tag	
10-30.....	53.56
40-100.....	50.56
110+.....	46.56

MicroClik Visor Clips (Gray)	
8066-075	
1-30.....	3.96
31-100.....	3.46
101+.....	2.96

Key Switches



Mortise Key Cylinder

1206-08099.34

- N.O. or N.C. operation.
- Mounts in single-gang electric box.
- Indoor use only.

1207-080260.00

- N.O. or N.C. operation.
- Surface mount non-lighted enclosure.
- Indoor or outdoor use.

1209-080444.00

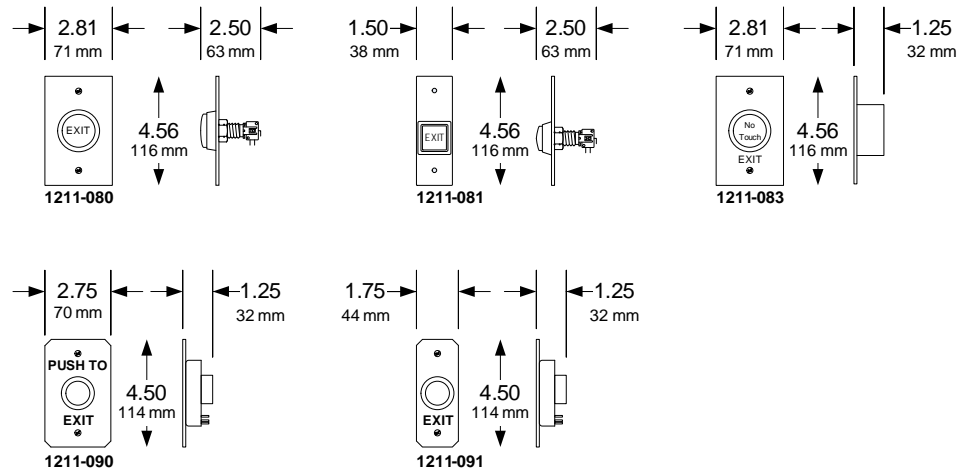
- N.O. or N.C. operation.
- Surface mount lighted enclosure.
- Indoor or outdoor use.
- Intercom substation.

Ace Key Cylinder

1210-080.....260.00

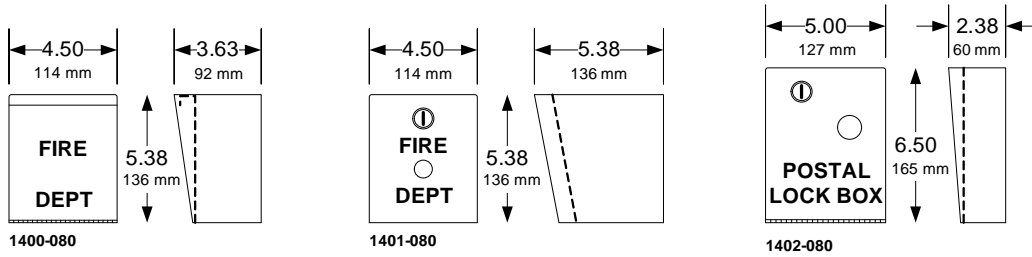
- N.O. or N.C. operation.
- Surface mount non-lighted enclosure.
- Indoor or outdoor use.

Push Buttons



Push Button Switch		Piezoelectric Switch	
1211-080.....	62.62	1211-090.....	360.00
<ul style="list-style-type: none"> Stainless steel faceplate. Mounts in single-gang electric box. Requires 12-VDC power to illuminate exit button. Indoor use only. 		<ul style="list-style-type: none"> Vandal resistant stainless steel faceplate. Selectable illumination status (red, green). Mounts in single-gang electric box. Requires 12-24 VDC power. 	
1211-081.....	57.80	1211-091.....	360.00
<ul style="list-style-type: none"> Stainless steel faceplate. Mullion mount. Requires 12-VDC power to illuminate exit button. Indoor use only. 		<ul style="list-style-type: none"> Vandal resistant stainless steel faceplate. Selectable illumination status (red, green). Mullion mount. Requires 12-24 VDC power. 	
1211-083.....	108.00		
<ul style="list-style-type: none"> No Touch exit button. Stainless steel faceplate. Mounts in single-gang electric box. Requires 12-VDC power. Indoor use only. 			

Lock Boxes



Fire Department Lock Box

1400-080.....122.00

- Accepts Fire Department padlock.
- Surface or post mounted.
- Painted bright red.
- Constant contact switch when padlock is removed and the door is open.

1401-080.....122.00

- Accepts Knox 3501 key switch.
- Surface or post mounted.
- Faceplate painted bright red.

Postal Service Lock Box

1402-080..... 132.00

- Accepts standard postal key lock.
- Surface or post mount.
- Painted Postal blue.
- Postal lock can be installed to either activate a door or gate, or simply open the postal box.

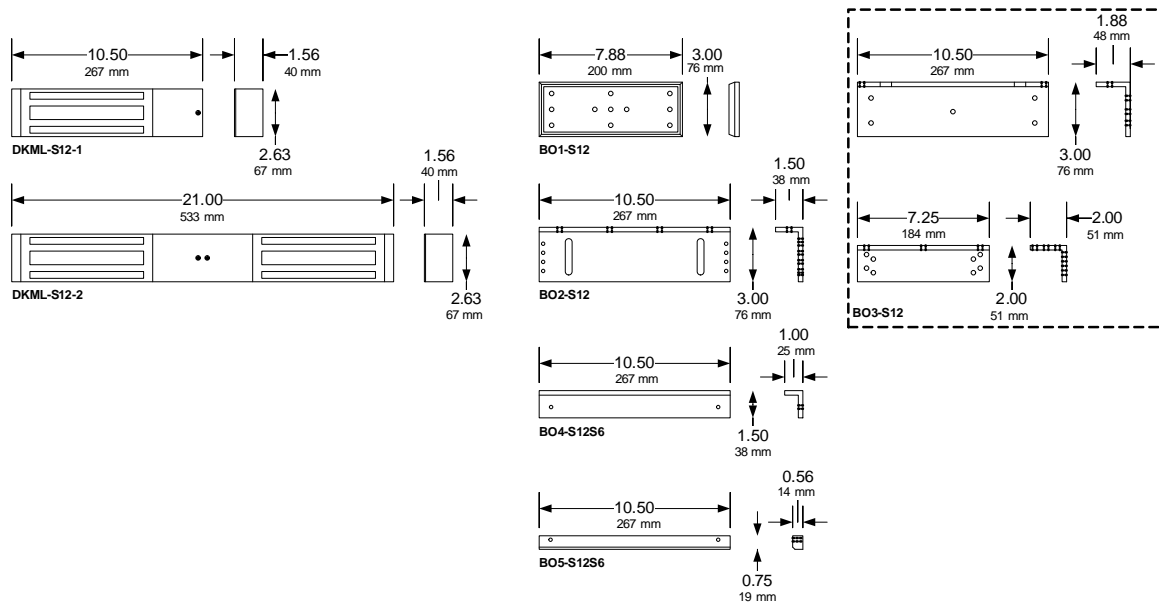
Replacement Components

Electronic Components

LED Light Kits	
1804-701.....	24.08
Use with 1209, 1504, 1506	
1804-705.....	24.08
Use with 1520 and lighted card readers	
1804-706.....	24.08
Use with 1503	

Magnetic Door Locks

1200 Lb (544 Kg) Door Locks



Single Door Locks Surface Mount

DKML-S12-1.....	374.00
DKML-S12-1L.....	462.00
DKML-S12-1LT.....	490.00

Dual Door Locks Surface Mount

DKML-S12-2.....	732.00
DKML-S12-2L.....	912.00
DKML-S12-2LT.....	958.00

- Locks operate on 12 or 24 Volt DC power.
- "L" includes LED status indicator.
- "T" includes built-in time delay.

Mounting Brackets

BO1-S12 Armature Bracket.....	57.80
BO2-S12 L Bracket.....	57.80
BO4-S12S6 Angle Bracket.....	64.22
BO5-S12S6 Spacer Bar.....	51.96
BO3-S12 L & Z Bracket Kit.....	142.00

Back-up Power Supply / Charger

1215-130 12/24 Volt @ 1 Amp.....	288.00
1215-131 12/24 Volt @ 2.5 Amp.....	494.00
1215-132 12/24 Volt @ 3 Amp.....	614.00
1215-133 12/24 Volt @ 6 Amp.....	890.00

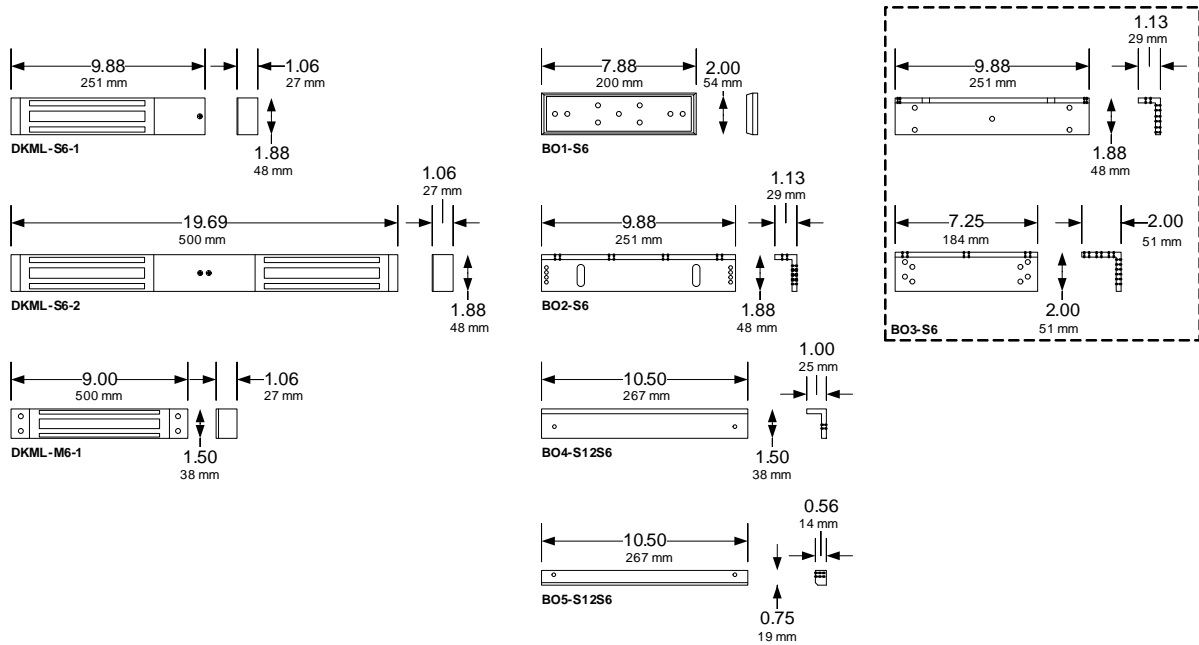
- Requires two (2) 12 Volt, 7 Ah SLA batteries (not included).

DC Lock Power Transformers

1812-020 12 Volt, 1000 mA.....	51.62
1812-139 24 Volt, 500 mA.....	55.56

Magnetic Door Locks

600 Lb (272 Kg) Door Locks



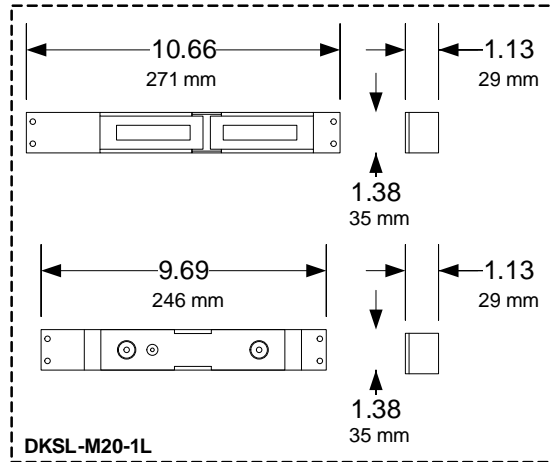
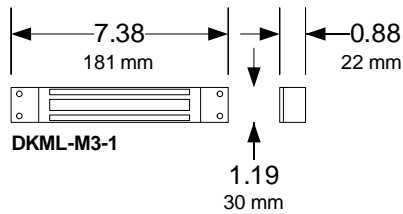
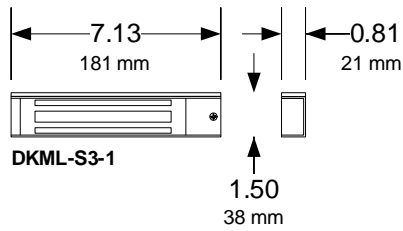
Single Door Locks Surface Mount	
DKML-S6-1	344.00
DKML-S6-1L	384.00
DKML-S6-1LT	424.00
Single Door Locks Mortise Mount	
DKML-M6-1	284.00
DKML-M6-1L	310.00
DKML-M6-1LT	338.00
Dual Door Locks Surface Mount	
DKML-S6-2	670.00
DKML-S6-2L	758.00
DKML-S6-2LT	820.00

- Locks operate on 12 or 24 Volt DC power.
- "L" includes LED status indicator.
- "T" includes built-in time delay.

Mounting Brackets	
BO1-S6 Armature Bracket	57.80
BO2-S6 L Bracket	57.80
BO4-S12S6 Angle Bracket	64.22
BO5-S12S6 Spacer Bar	51.96
BO3-S6 L & Z Bracket Kit	142.00
Back-up Power Supply / Charger	
1215-130 12/24 Volt @ 1 Amp	288.00
1215-131 12/24 Volt @ 2.5 Amp	494.00
1215-132 12/24 Volt @ 3 Amp	614.00
1215-133 12/24 Volt @ 6 Amp	890.00
• Requires two (2) 12 Volt, 7 Ah SLA batteries (not included).	
DC Lock Power Transformers	
1812-020 12 Volt, 1000 mA	51.62
1812-139 24 Volt, 500 mA	55.56

Magnetic Door Locks

300 Lb (136 Kg) Mini-locks and 2000 Lb (907 Kg) Shear Lock



300 Lb. Door Locks

DKML-S3-1 Surface Mount	286.00
DKML-M3-1 Mortise Mount	286.00

2000 Lb. Shear Lock Surface Mount

DKSL-M20-1L	548.00
-------------------	--------

- Locks operate on 12 or 24 Volt DC power.
- Shear lock includes LED status indicator and built-in signal relay.

Back-up Power Supply / Charger

1215-130 12/24 Volt @ 1 Amp.....	288.00
1215-131 12/24 Volt @ 2.5 Amp.....	494.00
1215-132 12/24 Volt @ 3 Amp.....	614.00
1215-133 12/24 Volt @ 6 Amp.....	890.00

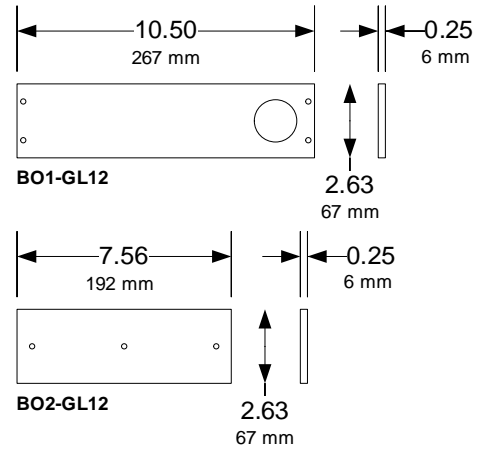
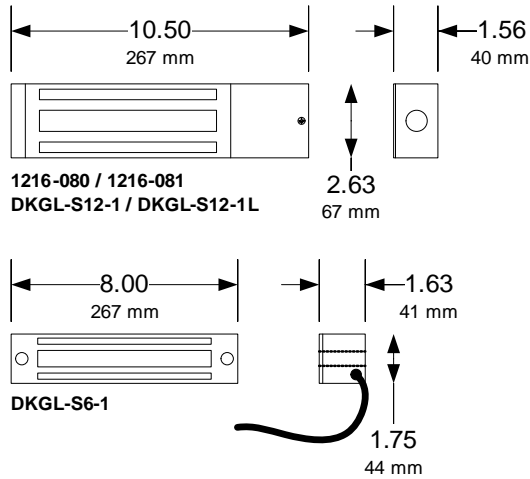
- Requires two (2) 12 Volt, 7 Ah SLA batteries (not included).

DC Lock Power Transformers

1812-020 12 Volt, 1000 mA.....	51.62
1812-139 24 Volt, 500 mA.....	55.56

Magnetic Gate Locks

600 Lb (272 Kg) and 1200 Lb (544 Kg) Gate Locks



1200 Lb. Gate Lock Kits Surface Mount

1216-080.....	474.00
1216-081.....	560.00

- 1216-081 has built-in signal relay.
- Kits include predrilled and tapped mounting brackets, BO1-GL12 and BO2-GL12.

1200 Lb. Gate Locks Top, Bottom or Face Mount

DKGL-S12-1.....	396.00
DKGL-S12-1L w/Signal Relay	486.00

600 Lb. Gate Lock Face Mount Only

DKGL-S6-1 w/Signal Relay.....	368.00
-------------------------------	--------

- Gate locks operate on 12 or 24 Volt DC power.

Mounting Brackets

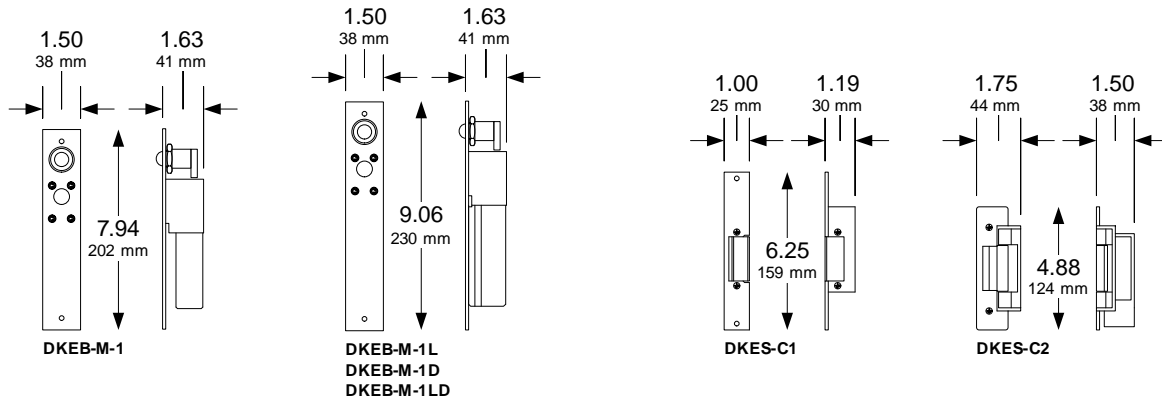
BO1-GL12 Lock Bracket	80.26
BO2-GL12 Armature Bracket.....	68.80

DC Lock Power Transformers - Regulated

1812-020 12 Volt, 1000 mA.....	51.62
1812-139 24 Volt, 500 mA.....	55.56

Electric Door Locks

Dead-bolts and Strikes



Dead-bolt Door Locks

DKEB-M-1	404.00
DKEB-M-1L	424.00
DKEB-M-1D	424.00
DKEB-M-1LD	444.00

- "L" includes sensor to indicate locked or unlocked condition.
- "D" includes door sensor to indicate an open or closed door.

Electric Strikes 11/32 inch (8.74 mm) keeper

DKES-C1-1FX	69.82
DKES-C1-1FS	72.24

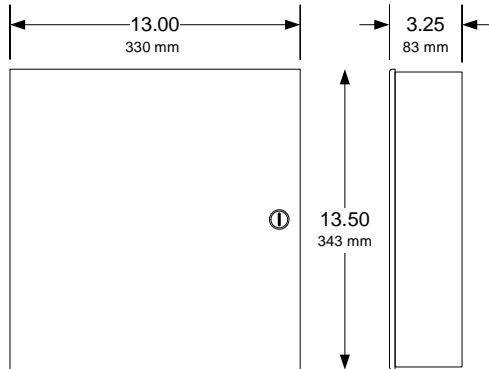
Electric Strikes 20/32 inch (15.88 mm) keeper

DKES-C2-1FX	86.68
DKES-C2-1FS	90.30

- FX = Fail Secure
- FS = Fail Safe

Magnetic Door Lock Power Supply

Power Supply / Battery Charger



Magnetic Door Lock Power Supplies ¹	
1215-130 12/24 Volt @ 1 Amp	288.00
1215-131 12/24 Volt @ 2.5 Amp	494.00
1215-132 12/24 Volt @ 3 Amp	614.00
1215-133 12/24 Volt @ 6 Amp	890.00
<ul style="list-style-type: none"> Requires two (2) 12 Volt, 7 Ah SLA batteries (not included). 	

Agency Listings				
Agency	1215-130	1215-131	1215-132	1215-133
UL 294 Access Control Systems	X	X	X	X
CSA C22.2 No. 205-M1983	X	X	X	X
MEA NYC Dept. of Building Safety	X	X	X	X
NFPA 101 Life Safety	X			
UL 603 Burglar Alarm Systems		X	X	
UL 1069 Hospital Signaling / Nurse Call Equipment		X	X	
UL 1481 Power Supply for Fire Signaling Systems		X	X	X
CSFM California State Fire Marshall Approved		X	X	X
NFPA 72		X	X	X
FM Approved			X	X

Blank Page

Table of Contents

Mounting Posts

Standard & Heavy-Duty Posts	4
Designer Style Posts	5
Kiosks	6

Transformers

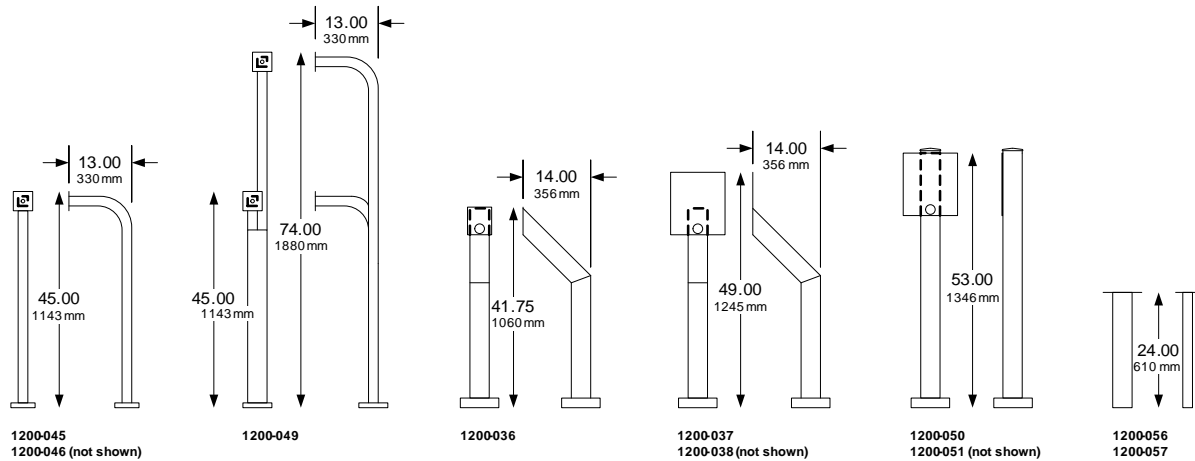
Transformer Box	7
Transformers	7

Surge Suppressers / Timers

Surge Suppressers	8
7-Day Timer	8

Mounting Posts

Standard & Heavy-Duty Posts



Standard Posts

1200-045 Pad Mount	258.00
1200-046 In-Ground Mount.....	258.00
1200-049 Dual Height Pad Mount.....	542.00

- Standard posts are constructed from 2 x 2 (51 mm) steel stock.
- In-ground mount posts do not have a baseplate and extend an additional 24 inches (610 mm) in length.

In-Ground Adapter

1200-057 (use with 1200-045).....	228.00
-----------------------------------	--------

- In-ground adapters provide a mount for posts with a baseplate.

1802 Adapter Plate

1802-111.....	166.00
---------------	--------

- Use this plate with when mounting 1802, 1802-EPD and 1819 systems to these posts.

Heavy-Duty Posts

1200-036 Pad Mount	564.00
1200-037 Pad Mount	602.00
1200-038 In-Ground Mount.....	520.00
1200-050 Pad Mount	496.00
1200-051 In-Ground Mount.....	432.00

- Heavy-duty posts are constructed from 4 x 4 (102 mm) steel stock.
- In-ground mount posts do not have a baseplate and extend an additional 24 inches (610 mm) in length.

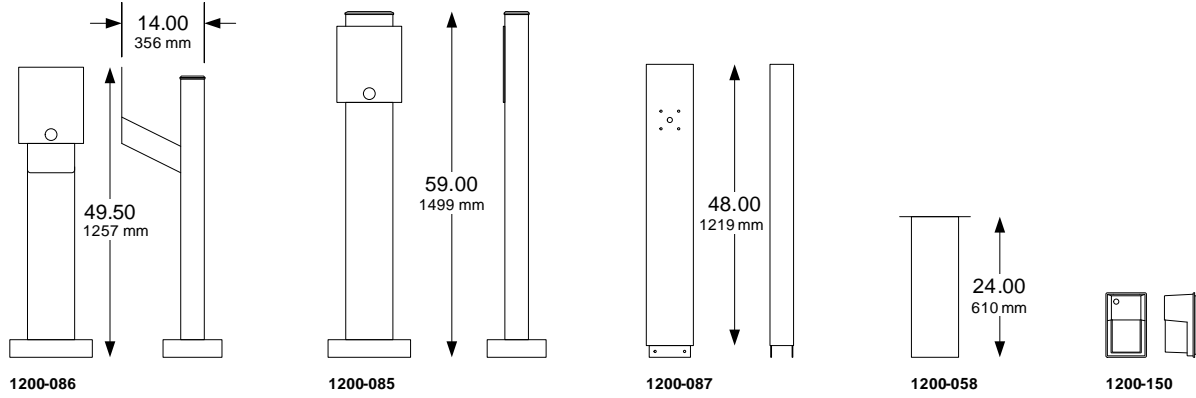
In-Ground Adapter

1200-056 (use with pad mount posts)	348.00
---	--------

- In-ground adapters provide a mount for posts with a baseplate.

Mounting Posts

Designer Style Mounting Posts

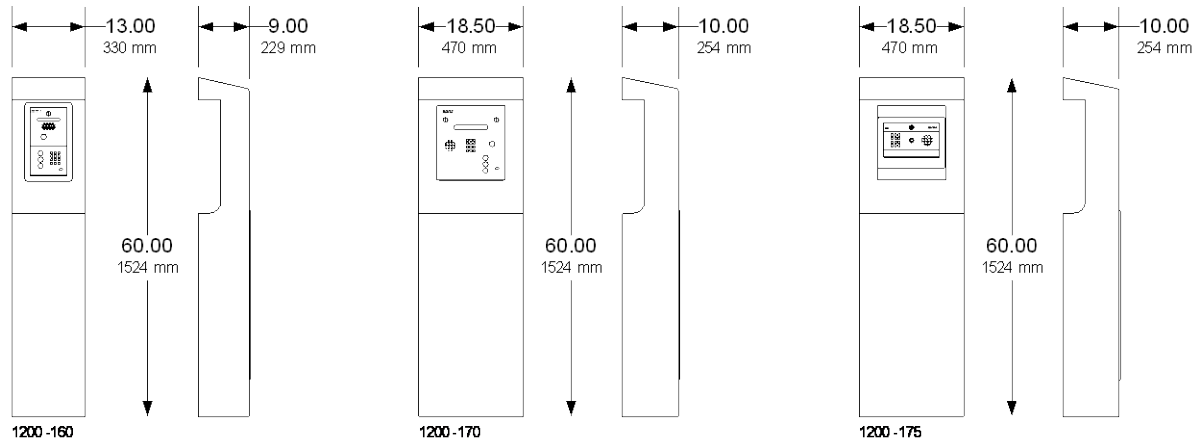


Designer Style Posts	
1200-085 Pad Mount.....	1724.00
1200-086 Pad Mount.....	1806.00
<ul style="list-style-type: none"> Standard posts are constructed from 4 x 8 (102 mm x 203 mm) steel stock. Electrical compartment has four (4) accessory outlets and room for surge suppressers and RF receiver. 	
In-Ground Adapter	
1200-058	712.00
<ul style="list-style-type: none"> In-ground adapters provide a mount for posts with a baseplate. 	
1802 Adapter Plate	
1802-111	166.00
<ul style="list-style-type: none"> Use this plate with when mounting 1802, 1802-EPD and 1819 systems to these posts. 	

Accessories	
1200-087 Light Tower Extension.....	700.00
1200-150 Light Assembly	470.00
<ul style="list-style-type: none"> Tower extension does not include light assembly. Fluorescent light with photocell for automatic dusk to dawn operation. 	
Replacement Post Cap	
1200-053.....	132.00

Mounting Posts

Kiosks



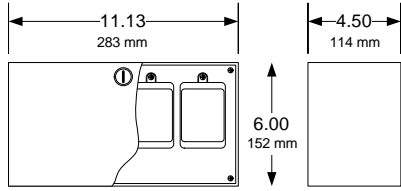
Kiosk Style Posts¹

1200-160	4284.00
• Use with 1802 and 1802-EPD flush mount systems only.	
1200-170	4516.00
• Use with 1803, 1810, 1833, 1834, 1835 and 1837 flush mount systems 80 Series systems only.	
1200-175	4516.00
• Use with 1812 Classic, 1812 Plus and 1812 Access Plus flush mount systems only.	

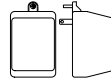
1. All kiosks include LED illumination and have an electrical compartment has four (4) accessory outlets and room for surge suppressers and RF receiver.

Transformers

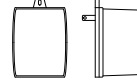
12, 16, 24 Volt AC & DC



1200-080



20 VA Transformers
 1215-061 12-Volt AC Output
 1804-059 24-Volt AC Output
 1804-060 16-Volt AC Output



40 VA Transformer
 1508-060 16-Volt AC Output



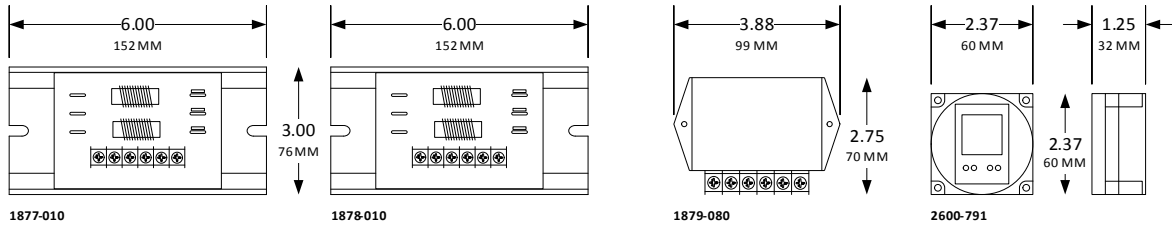
DC Transformers - Regulated
 1812-020 12-Volt 1000 mA
 1812-136 24-Volt 1000 mA

Transformer Box	
1200-080	234.00
<ul style="list-style-type: none"> • Holds up to four (4) 20-VA transformers. • Suitable for indoor or outdoor use. 	

20-VA Transformers	
1215-061 12-VAC	45.16
1804-059 24-VAC	52.38
1804-060 16-VAC	52.38
40-VA Transformers	
1508-060 16-VAC	57.80
DC Transformers - Regulated	
1812-020 12-VDC, 1000 mA	51.62
1812-136 24-VDC, 1000 mA	64.22

Accessories

Timers / Surge Suppressors



Surge Suppressors	
1877-010 Phone Line	156.00
1878-010 Low Voltage (24 VAC)	156.00
1879-080 High Voltage (120 VAC).....	156.00

7-Day Timer	
2600-791	254.00
<ul style="list-style-type: none"> • 20 Programs. • 24 VAC. • Form C dry contact relay. 	

Table of Contents

Advance Replacement & Repair Policy.....	5
Telephone Entry System Main Circuit Board Reference Table.....	6
Telephone Entry System Circuit Boards	8
Telephone Entry System Circuit Board Upgrades.....	10
Access Control Products Circuit Board Reference Table	11
Access Control Systems Major Components	12
Access Control Products Circuit Boards.....	13
Gate Operator Circuit Board Reference Table.....	14
Gate Operator Circuit Boards	16
Counter and Accessory Boards.....	17
Loop Detectors	18

Circuit Board Advance Replacement and Repair Policy

Repair and Return

All repairs must be issued an RMA number before they can be returned to DoorKing. Repairs that are returned without prior authorization are subject to lengthy delays. Prior to returning any item to DoorKing, please contact our RMA department for an RMA number and have the following information available: **the model number of the product and the circuit board number, the serial number, and the revision letter.**

Standard flat rate repair charges that are listed on the following pages apply only to products manufactured by DoorKing that are beyond the warranty period and became defective because of random component failure. Standard flat rate repair charges apply only to products that are returned to DoorKing for repair and return. **The standard flat rate repair charge does not apply to products that are returned under an advance replacement RMA.**

The standard repair charges do not apply to products or parts that are deemed by DoorKing to be un-repairable because of vandalism, abuse, improper installation including connection to an improper voltage source, power surges, lightning damage or natural disasters. Additional repair charges will be assessed to replace missing parts or parts damaged beyond repair. Boards that are deemed to be beyond repair will be returned to the owner or scrapped upon written authorization from the owner.

Advance Replacements

Defective or un-used parts that have been advanced to you must be returned to DoorKing within thirty (30) days from the date of the advance replacement invoice.

Not all circuit boards are available for advance replacement. **Advance replacement boards are not guaranteed to be available. You must know the serial number and the revision level of the board that you are requesting an advance replacement for prior to our shipping an advance replacement board to you.**

Out of warranty advance replacement repair charges are billed at a higher rate than the standard flat rate repair and return charge.

Obsolete Board Repair and Replacement (Upgrade) Information

Many early model circuit boards are not available for advance replacement and cannot be repaired. These boards are identified in the tables on the following pages.

Upgrade: The upgrade option allows you to replace an old circuit board with a new current production circuit board at a reduced rate. When choosing this option, the upgrade charge includes any additional parts required to install the new circuit board into the telephone entry / access control system. The upgrade option also carries a two-year warranty on the circuit board.

If you choose the upgrade option as an advance replacement, the reduced rate upgrade charge will not be applicable until the replaced circuit board and memory chips are returned to DoorKing. Otherwise, you will be responsible for payment in full of the new circuit board and memory chips sent to you under the advance replacement program.

Shipping Charges

DoorKing pays UPS ground shipping charges one way only on warranty advance replacement items. If any other means of shipping (UPS red, blue, etc.) is requested, you are responsible for the difference between that method and UPS ground charges. Shipping charges for the return of advance replacement items are the responsibility of the customer. All shipping charges for non-warranty repair items are the responsibility of the customer.

Repair Warranty

Circuit boards repaired by DoorKing are warranted for a period of ninety (90) days from the date of repair. This warranty covers bench repairs only. For this warranty to be in effect, any product or parts must be returned to DoorKing freight prepaid. DoorKing is not responsible for any cost incurred involving on site service calls, or labor charges incurred in the removal or replacement of any parts. **This warranty does not apply to products or parts damaged because of vandalism, abuse, improper installation including connection to an improper voltage source, power surges, lightning damage or natural disasters.**

Telephone Entry System Circuit Boards

Circuit Board	Model(s) Used On	REV	Options Available			Notes
			Repair	Advance	Replace	
1800-009 1800-010 1801-010	1800-081 1800-080 1801-080	All	Yes	Yes	Yes	Cellular system circuit boards.
1802-010	1802, 1804-1 1808, 1810-1	All	No	No	No	No upgrade available.
1804-010	1803-2, 1804-2 1810-2	All	No	No	No	No upgrade available.
1833-010	1833	D – R	No	No	Upgrade Schedule K	Use upgrade option.
1833-010	1833	S or Higher	Yes	Yes		Upgrade K replaces board with the most current level board revision.
1834-010	1834	D - Q	No	No	Upgrade Schedule K	Use upgrade option.
1834-010	1834	R or Higher	Yes	Yes		
1834-009	1834 Wall Mount Only	D - Q	No	No	Upgrade Schedule K	Use upgrade option.
1834-009	1834 Wall Mount 1834 90 Series	R or Higher	Yes	Yes		Upgrade K replaces board with the most current level board revision.
1835-010	1835	D – R	No	No	Upgrade Schedule K	Use upgrade option.
1835-010	1835	S or Higher	Yes	Yes		Upgrade K replaces board with the most current level board revision.
1835-009	1835 Wall Mount Only	D – Q	No	No	Upgrade Schedule K	Use upgrade option.
1835-009	1835 Wall Mount 1835 90 Series	R or Higher	Yes	Yes		Upgrade K replaces board with the most current level board revision.
1837-010	1837	D – R	No	No	Upgrade Schedule K	Use upgrade option.
1837-010	1837	S or Higher	Yes	Yes		Upgrade K replaces board with the most current level board revision.
1840-010	1815	All	No	No	Upgrade Schedule A	Use upgrade option.
1841-010	1817	All	No	No	No	No upgrade available.
1842-010	1818	All	No	No	Upgrade Schedule C	Use upgrade option.
1843-010	1814	All	No	No	Upgrade Schedule D	Use upgrade option.
1844-010	1803 PC	All	No	No	Upgrade Schedule I	Use upgrade option.
1850-010	1814	A - I	No	No	No	No upgrade available.
1850-010	1814	J – R	No	No	Upgrade Schedule D	Use upgrade option.
1851-010	1814 P	All	No	No	Upgrade Schedule D	Use upgrade option.
1852-010	1815	All	No	No	Upgrade Schedule A	Use upgrade option.
1853-010	1817	All	No	No	Upgrade Schedule B	No upgrade available.
1854-010	1818	All	No	No	Upgrade Schedule C	Use upgrade option.
1855-010	1815	All	No	No	Upgrade Schedule A	Use upgrade option.
1856-010	1817	All	No	No	Upgrade Schedule B	No upgrade available.
1857-010	1818	All	No	No	Upgrade Schedule C	Use upgrade option.
1860-010	1802, 1803-1 1804-1, 1808 1810-1	All	No	No	Upgrade Schedule E	Use upgrade option.

Telephone Entry System Circuit Boards

Circuit Board	Model(s) Used On	REV	Options Available			Notes
			Repair	Advance	Replace	
1862-010	1802, 1803 1808, 1810	A - M	No	No	Upgrade Schedule N	Use upgrade option.
1862-010	1802, 1803 1808, 1810	N or Higher	Yes	Yes		
1863-010	1802P, 1803P 1808P, 1810P	A - H	No	No		
1863-010	1802P, 1803P 1808P, 1810P	I or Higher	Yes	Yes		
1865-010	1803-2, 1804-2 1810-2	All	No	No	Upgrade Schedule F	Use upgrade option.
1870-010	1812	All	No	No	Upgrade Schedule H	Use upgrade option.
1871-010	1812	A - Z	No	No	Upgrade Schedule J	Use upgrade option.
1871-010	1812	AA - Higher	Yes	Yes		
1880-010	1816	All	No	No	No	
1885-010	1816 / 1820	H - R	No	No		
1885-010	1816 / 1820	S - Higher	Yes	Yes		
1971-010	1812 Plus	A - N O - Higher	Yes Yes	No Yes		
1970-010	1802AP, 1808AP, 1810AP, 1812AP, 1838AP	A - N O - Higher	Yes Yes	No Yes		
1597-010	1814-075	All	No	No	Yes	Secondary keypad board. Replace if faulty.
1598-010	All	All	No	No	Yes	Secondary keypad interface board. Replace if faulty.
1807-010	1803, 1804 1810	All	No	No	No	Old style programming display. No replacement available.
1875-010	1812	All	No	Yes	Yes	By-pass switch. Replace if faulty.
1881-010	1816	D - F	No	No		1816 decoder board.
1881-010	1816	G - Higher	Yes	Yes		1816 decoder board.
1882-010	1816	All	No	No	No	1816 relay board.
1884-010	1820	All	Yes	Yes		1820 Line Interface Board
1886-010	1820	All	Yes	Yes		1820 Power Supply Board
1890-010	1802, 1803, 1810	All	Yes	Yes		Programming display for 1862 board.
1896-010	1814	All	No	No	No	Old style small directory. No replacement available.
1897-010	All	All	No	No	No	Microphone board. Replace with 1998-010 if faulty.
1982-010	1816	All	Yes	Yes		1816 relay board
1998-010	All	All	No	Yes	Yes	Microphone board. Replace if faulty.
1898-010	1803, 1804 1810	All	No	No	No	Vacuum fluorescent programming display. No replacement available.
1899-010	1704, 1720, 1804	All	No	No	No	Fluorescent light kit ballast assembly.
2348-010	1833, 1835 1837, 1838	A-C	No	No		Elevator control board.
2348-010	1833, 1835 1837, 1838	D - Higher	Yes	Yes		Elevator control board.
2351-010	1833, 1835 1837, 1838	All	No	No		Tracker expansion board - Obsolete
2354-010	RS-485 Devices	All	Yes	Yes		RS-485 Wiegand Interface Board
2358-010	1833, 1835 1837, 1838	All	Yes	Yes		Tracker expansion board
2360-010	1833, 1835 1837, 1838	All	Yes	Yes		Wireless baseboard
1489-010	2358-010	All	Yes	Yes		Wireless expansion board
2366-010		All	Yes	Yes		Wireless repeater

Telephone Entry System Circuit Boards

1800 Series Boards		
Code	Description	List
Repair A	1801-010 Repair and return only.	240.00

1830 Series Boards		
Repair A	1833-010 Repair and return.	240.00
XCHG A	1833-010 Advance replacement.	320.00
Repair A	1834-010 Repair and return.	240.00
XCHG A	1834-010 Advance replacement.	320.00
Repair A	1834-009 Repair and return.	240.00
XCHG A	1834-009 Advance replacement.	320.00
Repair A	1835-010 Repair and return.	240.00
XCHG A	1835-010 Advance replacement.	320.00
Repair A	1835-009 Repair and return.	240.00
XCHG A	1835-009 Advance replacement.	320.00
Repair A	1837-010 Repair and return.	240.00
XCHG A	1837-010 Advance replacement.	320.00
Repair A	1838-010 Repair and return.	240.00
XCHG A	1838-010 Advance replacement.	320.00

1860 Series Boards		
Repair A	1862-010 Repair and return.	240.00
XCHG A	1862-010 Advance replacement.	320.00
Repair A	1863-010 Repair and return.	240.00
XCHG A	1863-010 Advance replacement.	320.00

1870 Series Boards		
Repair A	1871-010 Repair and return.	240.00
XCHG A	1871-010 Advance replacement.	320.00

1880 Series Boards		
Repair A	1881-010 Repair and return.	240.00
Repair D	1882-010 Repair and return.	140.00
Repair D	1884-010 Repair and return.	140.00
XCHG D	1884-010 Advance replacement.	180.00
Repair A	1885-010 Repair and return.	240.00
XCHG A	1885-010 Advance replacement.	320.00
Repair D	1982-010 Repair and return.	140.00
XCHG D	1982-010 Advance replacement.	180.00

Telephone Entry System Miscellaneous Boards

1890 Series Boards		
Code	Description	List
Repair E	1890-010 Repair and return.	80.00
XCHG E	1890-010 Advance replacement.	100.00
Repair E	1896-010 Repair and return only.	80.00

2300 Series Boards		
Code	Description	List
Repair A	2348-010 Repair and return.	240.00
XCHG A	2348-010 Advance replacement.	320.00

Miscellaneous Boards		
Code	Description	List
Repair E	1807-010 Repair and return only.	80.00
XCHG G	1875-010 Replacement only.	95.00

Keypads		
Code	Description	List
XCHGKP01	1804-055, 1804-056, 1805-155, 1804-156 Replacement only.	121.50
XCHGKP02	1895-016, 1895-017 Replacement only.	104.00

Telephone Entry System Circuit Board Upgrades

1830 Series Upgrade		
Code	Description	List
Upgrade M	1834 to 1835 Upgrade Replaces 1834 circuit board with the 1835 circuit board. Memory chip included.	1300.00
Upgrade K	1833, 1834, 1835, 1837, 1838 Board Upgrade Replaces older 1830 series circuit board with current 1830 series circuit board. Memory chips (same size) included.	1300.00

1850 / 1840 Series Board Upgrades		
Upgrade A	1852, 1855, 1840 Board Upgrade Replaces 1852, 1855 or 1840 circuit board (1815 systems) with 1835 circuit board. Software and memory chips (same size) included.	1300.00
Upgrade C	1854, 1857, 1842 Board Upgrade Replaces 1854, 1857 or 1842 circuit board (1818 systems) with 1838 circuit board. Software and memory chips (same size) included.	1300.00
Upgrade D	1850, 1851, 1843 Board Upgrade Replaces 1850, 1851 or 1843 circuit board (1814 systems) with 1834 circuit board. Software and memory chips (same size) included.	1300.00
Upgrade I	1844 Board Upgrade Replaces 1844 circuit board (1803 PC systems) with 1833 circuit board. Software and memory chips (same size) included.	1300.00

1860 Series Board Upgrades		
Upgrade E	1860 Board Upgrade Replaces 1860 circuit board with 1862 circuit board. Includes display & memory chips of same size as those in board being upgraded.	670.00
Upgrade F	1865 Board Upgrade Replaces 1865 circuit board with 1862 circuit board. Includes display, terminal strip & memory chips of same size as those in board being upgraded.	638.00
Upgrade N	1862 Board Upgrade Replaces older 1862 circuit board with current 1862 circuit board. Includes display, terminal strip & memory chips of same size as those in board being upgraded.	670.00

1870 Series Board Upgrades		
Upgrade H	1870 Board Upgrade Replaces 1870 circuit board with 1871 circuit board. Includes 1812-075 conversion kit.	976.00
Upgrade J	1871 Board Upgrade Replaces 1871 Rev A – Z circuit board with current 1871 circuit board.	866.00

1970 Series Board Upgrades		
Upgrade J	1970 Board Upgrade Replaces 1970 Rev A – K3 circuit board with current 1970 circuit board.	866.00
Upgrade J	1971 Board Upgrade Replaces 1971 Rev A – K3 circuit board with current 1971 circuit board.	866.00

Access Control Products Circuit Boards

Circuit Board	Model(s) Used On	REV	Options Available			Notes
			Repair	Advance	Replace	
1500-009	Wiegand Keypads	All	No	No	1515-009	New circuit board.
1500-010	1503, 1504	All	No	No	1515-010	New circuit board.
1502-010	1502, 1504	All	No	No	1515-010	New circuit board.
1503-010	1503, 1504	All	No	No	1515-010	New circuit board.
1505-009	1520	A - D	No	No		
1505-009	1520	E – Higher	Yes	Yes		
1506-010	1506, 1504	A – K	No	No	No	
1506-010	1506, 1504	L – Higher	Yes	Yes		
1508-010	1508	All	No	No	No	
1513-010	1513	A – D	Yes	No		
1513-010	1513	E – Higher	Yes	Yes		
1515-009	Wiegand Keypads	All	Yes	Yes	Yes	
1515-010	1515	All	Yes	Yes		
1587-010	Printer Interface	All	No	No	Yes	Replace if faulty.
1588-010	1508	All	No	No	No	
1589-010	1508	All	No	No	No	
1596-010	1507, 1514	All	No	No	No	
1597-010	Secondary Keypad Interface	All	No	No	Yes	Replace if faulty.
1599-010	1506, 1504	F - Higher	No	No	Yes	Replace if faulty.
1838-010	1838	A – Q	No	No	Upgrade Schedule K	Use upgrade option.
1838-010	1838	R or Higher	Yes	Yes	Upgrade Schedule K	Upgrade K replaces board with the most current level board revision.
1842-010	1818	All	No	No	Upgrade Schedule C	Use upgrade option.
1854-010	1818	All	No	No	Upgrade Schedule C	Use upgrade option.
1857-010	1818	All	No	No	Upgrade Schedule C	Use upgrade option.
2348-010	Elevator Control	A - C	Yes	No	Yes	
2348-010	Elevator Control	D – Higher	Yes	Yes	Yes	
2351-010	Tracker Expansion	All	No	No	Yes	Replace with 2358-010 tracker board
2354-010	RS-485 Devices	E - F	Yes	No		RS-485 Wiegand Interface Board
2354-010	RS-485 Devices	G - Higher	Yes	Yes		RS-485 Wiegand Interface Board
2358-010	Tracker Expansion	All	Yes	Yes		
8040-080	8040	All	Yes	Yes		
8054-xxx	8054	All	Yes		Yes	
8055-xxx	8055	All	Yes		Yes	
8056-xxx	8056	All	No	No		Replace with 8040 receiver
8057-xxx	8057	All	Yes		Yes	
8059-xxx	8059	All	No	No		Replace with 8040 receiver

Access Systems Major Components

Circuit Board	Model(s) Used On	REV	Options Available			Notes
			Repair	Advance	Replace	
1894-040	Color CCTV Camera	All		Yes		Cameras are sent to the vendor for warranty repair / replacement.
1812-145	Color CCTV Camera	All		Yes		
1812-147	Color CCTV Camera	All		Yes		

Access Control System Circuit Boards

1500 Series Boards		
Code	Description	List
Repair D	1515-010 Repair and return.	140.00
XCHG D	1515-010 Advance replacement.	180.00
Repair D	1506-010 Repair and return.	140.00
XCHG D	1506-010 Advance replacement.	180.00
Repair D	1513-010 Repair and return.	140.00
XCHG D	1513-010 Advance replacement.	180.00
Repair D	1505-009 Repair and return.	140.00
XCHG D	1505-009 Advance replacement.	180.00
1800 Series Boards		
Repair A	1838-010 Repair and return.	240.00
XCHG A	1838-010 Advance replacement.	320.00
2300 Series Boards		
Repair A	2348-010 Repair and return.	240.00
XCHG A	2348-010 Advance replacement.	320.00
Repair D	2354-010 Repair and return.	140.00
XCHG D	2354-010 Advance replacement.	180.00
Repair D	2358-010 Repair and return.	140.00
XCHG D	2358-010 Advance replacement.	180.00

Gate Operator Circuit Boards

Circuit Board	Model(s) Used On	REV	Options Available			Notes
			Repair	Advance	Replace	
1473-010	Pre-2016 operators only	All	Yes	Yes		Replaces 2340 circuit board. Use Kit P/N 1473-121.
1601-010	1601	D - Y	No	No	Yes	Replace with current production board.
1601-010	1601, 1602	Z - AH - Higher	Yes	Yes		
2340-010	1601, 1602, 1603, 6100, 6300, 9150, 9300, 9310	All	No	No		Replace with 1473-121 board kit.
2355-010	1000	A - J	No	No		Replace with current production board.
2355-010	1000	K - Higher	Yes	Yes	Yes	Model 1000 Inverter circuit board.
4001-010	240, 480, 600, 800, 1000	All	No	No	Yes	Replace with new 4502-009 board.
4100-010	6524, 9024	AA - AF	Yes	Yes		Replace with 4100-018.
4100-012	6524, 9024	H - O	Yes	Yes		Use with Pre 2016 models only.
4100-018	6524, 9024	All	Yes	Yes		
4201-010	605, 805 mfg. prior to 6/93	All	No	No	Yes	Replace with new 4502-009 board (requires 4001-020 terminal strip and rewire).
4302-010	6002, 6003, 6004, 6400	AA - AC	Yes	Yes		Replace with 4302-018
4302-012	6002, 6003, 6004, 6005, 6400	D - M	No	No		Use with pre 2016 models only.
4302-012	6002, 6003, 6004, 6005, 6400	N or Higher	Yes	Yes		Use with Pre 2016 models only.
4302-018	6003, 6004, 6005, 6400	All	Yes	Yes	Yes	
4402-012	1150, 9200, 9300	B - H	No	No		Use with pre 2016 models only.
4402-012	1150, 9200, 9300	I or Higher	Yes	Yes		Use with pre 2016 models only.
4403-012	9310	C - N	No	No		Use with pre 2016 models only.
4403-012	9310	M or Higher	Yes	Yes		Use with pre 2016 models only.
4404-010	9210, 9220 9230, 9235, 9240, 9530 9550, 9555, 9575	AA - AB	Yes	Yes		Replace with 4404-018.
4404-012	9210, 9220 9230, 9235, 9240, 9530 9550, 9555, 9575	B - E	No	No		Use with Pre 2016 models only.
4404-012	9210, 9220 9230, 9235, 9240, 9530 9550, 9555, 9575	F or Higher	Yes	Yes		Use with Pre 2016 models only.
4404-018	9210, 9220 9230, 9235, 9240, 9530 9550, 9555, 9575	All	Yes	Yes		
4405-010	6500, 6550, 9000	AA - AB	Yes	Yes		Replace with 4405-018.
4405-012	1175, 6500, 6550, 9000	A - F	No	NO		Use with Pre 2016 models only.
4405-012	1175, 6500, 6550, 9000	G - Higher	Yes	Yes		Use with Pre 2016 models only.
4405-018	1175, 6500, 6550, 9000	All	Yes	Yes		

Gate Operator Circuit Boards

Circuit Board	Model(s) Used On	REV	Options Available			Notes
			Repair	Advance	Replace	
4501-010	240, 480, 600, 601, 602, 605,610, 615, 620, 625, 805, 810, 815	All	No	No		Replace with 4502-009.
4502-009	240, 480, 600, 601, 602, 605,610, 615, 620, 625, 805, 810, 815	N - Higher	Yes	Yes		
4502-010	6050, 6100, 6300	AA - AC	Yes	Yes		Replace with 4502-018.
4502-012	6050, 6100, 6300	A - J	No	No		Use with Pre 2016 models only.
4502-012	6050, 6100, 6300	K or Higher	Yes	Yes		Use with Pre 2016 models only.
4502-018	6050, 6100, 6300	All	Yes	Yes		
4601-010	910, 915, 920, 1100	All	No	No		Replace with 4602-009.
4602-009	910, 915, 920, 1100	S - Higher	Yes	Yes		
4602-010	9100, 9150	AA - AB	Yes	Yes		Replace with 4602-018.
4602-012	9100, 9150	A - Q	No	No		Use with Pre 2016 models only.
4602-012	9100, 9150	R or Higher	Yes	Yes		Use with Pre 2016 models only.
4602-018	9100, 9150	All	Yes	Yes		
4701-010	905, 907	All	No	No		Replace with 4702-009.
4702-009	905, 907	J - Higher	Yes	Yes		
4702-010	9050, 9070	AA - AB	Yes	Yes		Replace with 4702-018.
4702-012	9050, 9070	A - H	No	No		Use with pre 2016 models only.
4702-012	9050, 9070	I or Higher	Yes	Yes		Use with pre 2016 models only.
4702-018	9050	All	Yes	Yes		

Gate Operator Circuit Boards

Swing Gate Operators		
Code	Description	List
Repair A	4302 All boards - Repair and return.	240.00
XCHG A	4302 All boards - Advance replacement.	320.00
Repair A	4405 All boards - Repair and return.	240.00
XCHG A	4405 All boards - Advance replacement (Rev M and higher only).	320.00
Repair A	4502 All boards - Repair and return.	240.00
XCHG A	4502 All boards - Advance replacement.	320.00
Slide Gate Operators		
Repair A	4402 All boards - Repair and return.	240.00
XCHG A	4402 All boards - Advance replacement.	320.00
Repair A	4403 All boards - Repair and return.	240.00
XCHG A	4403 All boards - Advance replacement.	320.00
Repair A	4404 All boards - Repair and return.	240.00
XCHG A	4404 All boards - Advance replacement.	320.00
Repair A	4602 All boards - Repair and return.	240.00
XCHG A	4602 All boards - Advance replacement.	320.00
Repair A	4702 All boards - Repair and return.	240.00
XCHG A	4702 All boards - Advance replacement.	320.00
Barrier and Overhead Gate Operators		
Repair A	1601 All boards - Repair and return.	240.00
XCHG A	1601 All boards - Advance replacement (Rev W and higher only).	320.00
Repair A	4402 All boards (1150 operator) - Repair and return.	240.00
XCHG A	4402 All boards (1150 operator) - Advance replacement.	320.00
Repair A	4405 All boards (1175 operator) - Repair and return.	240.00
XCHG A	4405 All boards (1175 operator) - Advance replacement.	320.00
Power Inverter / Backup		
Repair D	2355-010 Repair and return.	140.00
XCHG D	2355-010 Advance replacement (Rev W and higher only).	180.00

Counter and Accessory Boards

Magnetic Counter Boards		
Repair E XCHG E	3003-010 Repair and return. 3003-010 Advance replacement.	80.00 100.00
Repair E XCHG E	3003-012 Repair and return. 3003-012 Advance replacement.	80.00 100.00
Repair E XCHG E	3003-013 Repair and return. 3003-013 Advance replacement.	80.00 100.00
Repair E XCHG E	3003-014 Repair and return. 3003-014 Advance replacement.	80.00 100.00
Repair E XCHG E	3003-015 Repair and return. 3003-015 Advance replacement.	80.00 100.00
Counter Probe		
XCHG B	3004-010 Replacement only.	148.00
Accessory Boards		
Repair D XCHG D	1473-010 Repair and return. 1473-010 Advance replacement.	140.00 180.00
Repair D XCHG D	2355-010 Repair and return. 2355-010 Advance replacement.	140.00 180.00

Loop Detectors

Circuit Board	Model(s) Used On	REV	Options Available			Notes
			Repair	Advance	Replace	
9409-010	Loop Detector	A - G	No	No		Replace detector.
9409-010	Loop Detector	H - Higher	Yes	Yes		
9410-010	Loop Detector	A - G	No	No		Replace detector.
9410-010	Loop Detector	H - Higher	Yes	Yes		
9411-010	Loop Detector	All	Yes	Yes		

Loop Detector Boards		
Code	Description	List
Repair E	9409-010 Repair and return.	80.00
XCHG E	9409-010 Advance replacement.	100.00
Repair E	9410-010 Repair and return.	80.00
XCHG E	9410-010 Advance replacement.	100.00

Maximum Security Operators

9200 and 9500 series operators are designed to operate vehicular sliding gates used in Limited (Class III) and Restricted (Class IV) industrial and maximum security applications only. These operators must never be used in Residential (Class I) or Commercial (Class II) applications, or in any application where the gate is operated by the General Public.

These operators must be installed with external entrapment prevention devices, Type B1 (non-contact) or Type B2 (contact), or a combination of both to insure all entrapment hazard areas are protected. Refer to the Installation Manual for important safety information.

Minimum Gate Length

Most 9200 and 9500 Series operators have variable speed capability which allows the user to adjust the speed of the gate. On most operators, the speed can be set for speeds up to 2 Ft/sec., and on certain models the gate speed can be set up to 4 Ft/sec. When using these higher speeds, there is a time factor to consider during the start-up and the slow-down of the gate. For this reason, you will see a minimum gate length on operators design to move a gate at the higher speeds.

UL 325 – August 2018 Update

Requirements mandated by the safety standard (UL 325) that DKS gate operators are listed to require that photo-beams and contact edges used for entrapment protection must be monitored. Entrapment protection must be provided for the gate system where the risk of entrapment exist. The gate operator will not run without one or more external entrapment protection devices installed in each direction of travel. Check the gate operator installation manual for a list of external entrapment protection devices that can be used with DKS gate operator products.

The August, 2018 update to the safety standard requires that a minimum of two independent means of entrapment protection must be provided, in each direction of travel, where the risk of entrapment exists. The inherent system in DKS gate operators is active in both directions of travel, so this qualifies as one means of entrapment protection in each direction. The second means will be an external device (a non-contact or a contact sensor) as required in each direction. The actual number of external devices required is dependent on the gate system layout and the number of entrapment areas that will need to be protected. Installers will have to identify all potential areas where the risk of entrapment exist and how best to protect those areas. For example, some gates may require two (or more) external devices in each direction of travel to protect all potential areas of entrapment.

There is an exception for swing gates and vertical lift gates regarding the minimum of two entrapment protection devices in each direction of travel. For example, if on a swing gate system there is no potential for entrapment in the opening direction, then only the close direction will require a minimum of two means of entrapment protection. Installers will have to determine if any entrapment hazards exist in the opening direction, and if so, then those areas will have to be protected with external devices.

Vertical lift gates require two means of entrapment protection in the down cycle, but will only require one means of entrapment protection in the up cycle. The model 1175 is considered to be a vertical lift gate operator for entrapment protection means requirements.

Barrier gate operators that are installed in such a way that the barrier arm does not come closer than 16 inches to a rigid object are not required to protect against entrapment.

The table below shows the minimum entrapment protection requirements for each type of gate operator in the scope of the UL 325 Standard for Safety.

	Opening	Closing
Horizontal Slide Gate	2	2
Horizontal Swing Gate	2*	2*
Vertical Pivot Gate	2	2
Vertical Lift gate	1	2

* For a horizontal swing gate operator, at least two independent entrapment protection means are required in each direction of travel. Except, if there is no entrapment zone in one direction of travel, only one means of entrapment protection is required in that direction of travel; however, the other direction must have two independent entrapment protection means.

Blank Page

Table of Contents

Maximum Security Slide Gate Operators

Model 9210	4
Model 9220	6
Model 9230	8
Model 9235	10
Model 9240	12

Heavy-Duty Maximum Security Slide Gate Operators

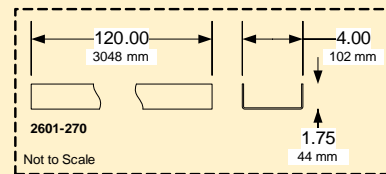
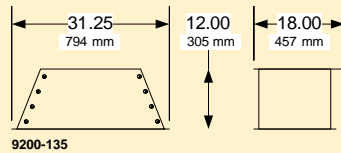
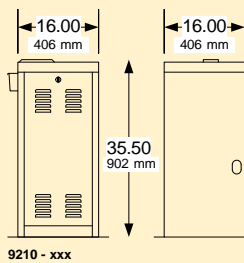
Model 9530	14
Model 9550	16
Model 9555	18
Model 9575	20

9210 Slide Gate Operator

Maximum Security Slide Gate Operator

9210

- Adjustable Limits
- Plug-in Loop Detector Ports
- Built-in power and reset switches
- Two 115 VAC convenience outlets
- Partial open / anti-tailgate feature
- 40:1 Gear Reducer Drive Train
- Fixed Speed
- 20-Feet (6m) #50 / #60 Chain
- Gate tracker data output
- Selectable stop/ reverse function



Model	Chain	Speed Fixed	Maximum Gate Weight	Maximum Gate Length	Minimum Gate Length	Mount	Class of Operation ¹	Voltage VAC	HP	Power Outlets	Loop Ports ²
9210	#50	1 Ft/sec .3m/sec	2000 Lbs ³ 907 Kg	100 Ft 30m	10 Ft 3m	Pad or Pedestal ³	III, IV	115, 208, 230, 460	1	2	2
	#60		3000 Lbs ³ 1360 Kg								

1. III = Limited Access; IV = Restricted Access
2. Plug-in loop detector ports; open and reverse. DoorKing plug-in loop detectors only.
3. Requires 9200-135 pedestal.

9210 Slide Gate Operator

Maximum Security Slide Gate Operator

Operators w/#50 Chain

9210-380 1 HP, 115V (9.7A)	4890.00
9210-382 1 HP, 208V 1° (5.0A)	4942.50
9210-384 1 HP, 230V 1° (4.9A)	4942.50
9210-386 1 HP, 208V 3° (3.4A)	5160.00
9210-388 1 HP, 230V 3° (3.3A)	5160.00
9210-390 1 HP, 460V 3° (1.7A)	5160.00

Operators w/#60 Chain

9210-381 1 HP, 115V (9.7A)	4965.00
9210-383 1 HP, 208V 1° (5.0A)	5025.00
9210-385 1 HP, 230V 1° (4.9A)	5025.00
9210-387 1 HP, 208V 3° (3.4A)	5242.50
9210-389 1 HP, 230V 3° (3.3A)	5242.50
9210-391 1 HP, 460V 3° (1.7A)	5242.50

Choose Entrapment Protection (required) Devices

Use Type B1 (non-contact) and/or Type B2 (contact) entrapment protection devices to protect all areas where the risk of entrapment exist - see Section A1, pages 42-43.

Operator will not run without entrapment protection device(s) connected to the controller board.

Loops and Loop Detectors

See section A1, page 44 for a complete list of all loop detectors, prefabricated loops and loop accessories available.

Accessories

9200-135 Mounting Pedestal	894.00
2601-270 Chain Tray Kit 10 Ft (3m) ¹	399.00
1601-195 Heater Kit 120 VAC ²	759.00
1601-197 Heater Kit 208/230 VAC ²	Note 3
1601-198 Heater Kit 480 VAC ²	Note 3

1. 9200-135 required if chain tray is used.
2. Use if temperature routinely falls below 10°F (-12°C).
3. See Section A1, page 31 for pricing.

Chain

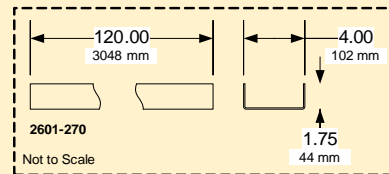
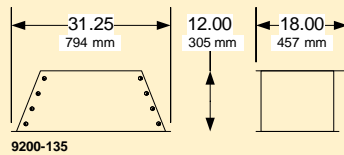
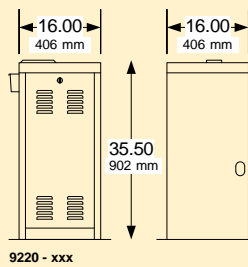
2600-485 #50 Chain, 20-Ft (6 m)	165.00
2600-448 #60 Chain, 20-Ft (6 m)	264.00

9220 Slide Gate Operator

Maximum Security Slide Gate Operator

9220

- Adjustable Limits
- Plug-in Loop Detector Ports
- Built-in power and reset switches
- Two 115 VAC convenience outlets
- Partial open / anti-tailgate feature
- 40:1 Gear Reducer Drive Train
- Variable Speed
- 20-Foot (6m) #60 Chain
- Gate tracker data output
- Selectable stop/ reverse function



Model	Chain	Speed Variable	Maximum Gate Weight	Maximum Gate Length	Minimum Gate Length	Mount	Class of Operation ¹	Voltage VAC	HP	Power Outlets	Loop Ports ²
9220	#60	1-2 Ft/sec .3-.6m/sec	2000 Lbs ³ 907 Kg	100 Ft 30m	20 Ft 6m	Pad or Pedestal ³	III, IV	208, 230, 460	2	2	2

1. III = Limited Access; IV = Restricted Access
2. Plug-in loop detector ports; open and reverse. DoorKing plug-in loop detectors only.
3. Requires 9200-135 pedestal.

9220 Slide Gate Operator

Maximum Security Slide Gate Operator

Operators w/#60 Chain

9220-381 2 HP, 208V 1° (11.7A).....	6052.50
9220-383 2 HP, 230V 1° (11.5A).....	6052.50
9220-385 2 HP, 208V 3° (6.6A).....	6270.00
9220-387 2 HP, 230V 3° (6.2A).....	6270.00
9220-389 2 HP, 460V 3° (3.1A).....	6270.00

Choose Entrapment Protection (required) Devices

Use Type B1 (non-contact) and/or Type B2 (contact) entrapment protection devices to protect all areas where the risk of entrapment exist - see Section A1, pages 42-43.

Operator will not run without entrapment protection device(s) connected to the controller board.

Loops and Loop Detectors

See section A1, page 44 for a complete list of all loop detectors, prefabricated loops and loop accessories available.

Accessories

9200-135 Mounting Pedestal.....	894.00
2601-270 Chain Tray Kit 10 Ft (3m) ¹	399.00
1601-197 Heater Kit 208/230 VAC ²	Note 3
1601-198 Heater Kit 480 VAC ²	Note 3

1. 9200-135 required if chain tray is used.
2. Use if temperature routinely falls below 10°F (-12°C).
3. See Section A1, page 31 for pricing.

Chain

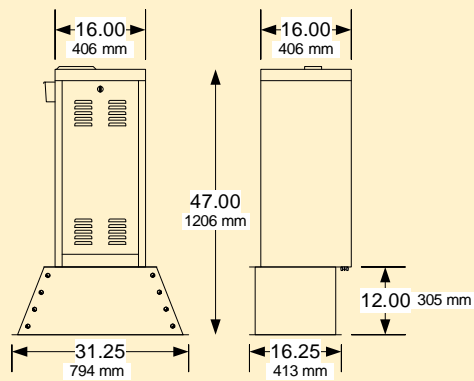
2600-448 #60 Chain, 20-Ft (6 m).....	264.00
--------------------------------------	--------

9230 Slide Gate Operator

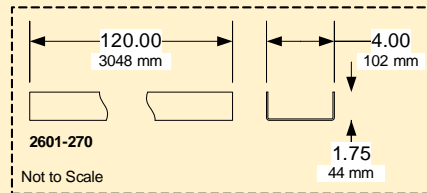
Maximum Security Slide Gate Operator

9230

- Adjustable Limits
- Plug-in Loop Detector Ports
- Built-in power and reset switches
- Two 115 VAC convenience outlets
- Partial open / anti-tailgate feature
- 40:1 Gear Reducer Drive Train
- Variable Speed
- 20-Feet (6m) #60 Chain
- Gate tracker data output
- Selectable stop/ reverse function



9230-xxx



Model	Chain	Speed Variable	Maximum Gate Weight	Maximum Gate Length	Minimum Gate Length	Mount	Class of Operation ¹	Voltage VAC	HP	Power Outlets	Loop Ports ²
9230	#60	1-2 Ft/sec .3-.6m/sec	5000 Lbs ³ 2267 Kg	100 Ft 30m	20 Ft 6m	Pedestal ³	III, IV	208, 230	3	2	2

1. III = Limited Access; IV = Restricted Access
2. Plug-in loop detector ports; open and reverse. DoorKing plug-in loop detectors only.
3. 9200-135 pedestal included.

9230 Slide Gate Operator

Maximum Security Slide Gate Operator

Operators w/#60 Chain

9230-380 3 HP, 208V 3° (9.8A).....	8730.00
9230-381 3 HP, 230V 3° (9.6A).....	8730.00

Choose Entrapment Protection (required) Devices

Use Type B1 (non-contact) and/or Type B2 (contact) entrapment protection devices to protect all areas where the risk of entrapment exist - see Section A1, pages 42-43.

Operator will not run without entrapment protection device(s) connected to the controller board.

Loops and Loop Detectors

See section A1, page 44 for a complete list of all loop detectors, prefabricated loops and loop accessories available.

Accessories

2601-270 Chain Tray Kit 10 Ft (3m).....	399.00
1601-197 Heater Kit 208/230 VAC ¹	Note 2
<i>1. Use if temperature routinely falls below 10°F (-12°C).</i>	
<i>2. See Section A1, page 31 for pricing.</i>	

Chain

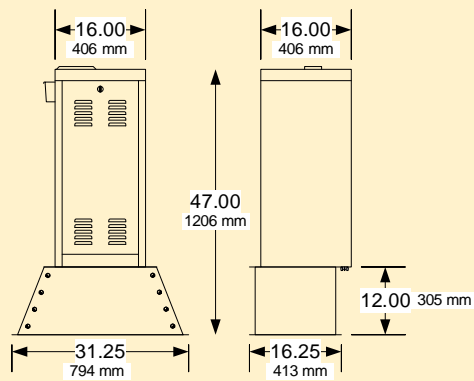
2600-448 #60 Chain, 20-Ft (6 m).....	264.00
--------------------------------------	--------

9235 Slide Gate Operator

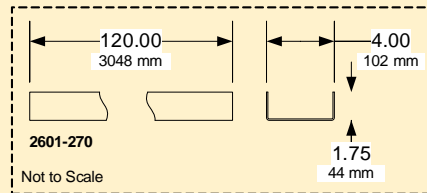
Maximum Security Slide Gate Operator

9235

- Adjustable Limits
- Plug-in Loop Detector Ports
- Built-in power and reset switches
- Two 115 VAC convenience outlets
- Partial open / anti-tailgate feature
- 40:1 Gear Reducer Drive Train
- Variable Speed
- 20-Feet (6m) #60 Chain
- Gate tracker data output
- Selectable stop/ reverse function



9235-xxx



Model	Chain	Speed Variable	Maximum Gate Weight	Maximum Gate Length	Minimum Gate Length	Mount	Class of Operation ¹	Voltage VAC	HP	Power Outlets	Loop Ports ²
9235	#60	1-4 Ft/sec .3-1.2m/sec	3000 Lbs ³ 1360 Kg	100 Ft 30m	30 Ft 9m	Pedestal ³	III, IV	208, 230	3	2	2

1. III = Limited Access; IV = Restricted Access
2. Plug-in loop detector ports; open and reverse. DoorKing plug-in loop detectors only.
3. 9200-135 pedestal included.

9235 Slide Gate Operator

Maximum Security Slide Gate Operator

Operators w/#60 Chain

9235-380 3 HP, 208V 3 [°] (12.8A).....	13,005.00
9235-381 3 HP, 230V 3 [°] (12.6A).....	13,005.00

Choose Entrapment Protection (required) Devices

Use Type B1 (non-contact) and/or Type B2 (contact) entrapment protection devices to protect all areas where the risk of entrapment exist - see Section A1, pages 42-43.

Operator will not run without entrapment protection device(s) connected to the controller board.

Loops and Loop Detectors

See section A1, page 44 for a complete list of all loop detectors, prefabricated loops and loop accessories available.

Accessories

2601-270 Chain Tray Kit 10 Ft (3m).....	399.00
1601-197 Heater Kit 208/230 VAC ¹	Note 2
<i>1. Use if temperature routinely falls below 10°F (-12°C).</i>	
<i>2. See Section A1, page 31 for pricing.</i>	

Chain

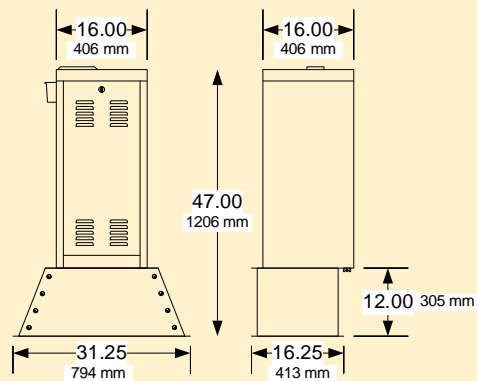
2600-448 #60 Chain, 20-Ft (6 m).....	264.00
--------------------------------------	--------

9240 Slide Gate Operator

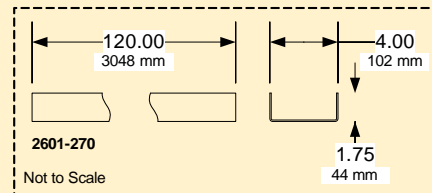
Maximum Security Slide Gate Operator

9240

- Adjustable Limits
- Plug-in Loop Detector Ports
- Built-in power and reset switches
- Two 115 VAC convenience outlets
- Partial open / anti-tailgate feature
- 40:1 Gear Reducer Drive Train
- Variable Speed
- 20-Feet (6m) #80 Chain
- Gate tracker data output
- Selectable stop/ reverse function



9240-xxx



Model	Chain	Speed Variable	Maximum Gate Weight	Maximum Gate Length	Minimum Gate Length	Mount	Class of Operation ¹	Voltage VAC	HP	Power Outlets	Loop Ports ²
9240	#80	1-2 Ft/sec .3-.6m/sec	8000 Lbs ³ 3628 Kg	100 Ft 30m	25 Ft 7.6m	Pedestal ³	III, IV	208, 230	3	2	2

1. III = Limited Access; IV = Restricted Access
2. Plug-in loop detector ports; open and reverse. DoorKing plug-in loop detectors only.
3. 9200-135 pedestal included.

9240 Slide Gate Operator

Maximum Security Slide Gate Operator

Operators w/#80 Chain

9240-380 3 HP, 208V 3° (9.8A).....	13,005.00
9240-381 3 HP, 230V 3° (9.6A).....	13,005.00

Choose Entrapment Protection (required) Devices

Use Type B1 (non-contact) and/or Type B2 (contact) entrapment protection devices to protect all areas where the risk of entrapment exist - see Section A1, pages 42-43.

Operator will not run without entrapment protection device(s) connected to the controller board.

Loops and Loop Detectors

See section A1, page 44 for a complete list of all loop detectors, prefabricated loops and loop accessories available.

Accessories

2601-270 Chain Tray Kit 10 Ft (3m).....	399.00
1601-197 Heater Kit 208/230 VAC ¹	Note 2
<i>1. Use if temperature routinely falls below 10°F (-12°C).</i>	
<i>2. See Section A1, page 31 for pricing.</i>	

Chain

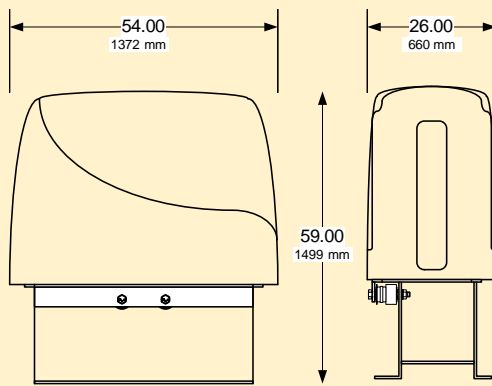
2601-268 #80 Chain, 10-Ft (3 m).....	249.00
2601-269 #80 Chain, 20-Ft (6 m).....	501.00

9530 Slide Gate Operator

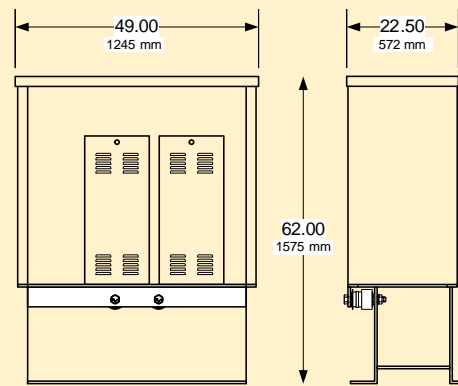
Heavy-Duty Maximum Security Slide Gate Operator

9530

- Adjustable Limits
- Plug-in Loop Detector Ports
- Built-in power and reset switches
- Two 115 VAC convenience outlets
- Partial open / anti-tailgate feature
- 40:1 Gear Reducer Drive Train
- Variable Speed
- 20-Feet (6m) #80 Chain
- Gate tracker data output
- Selectable stop/ reverse function



95xx-xxx with Standard Polyurethane housing



95xx-xxx with optional 10ga. Steel housing

Model	Chain	Speed Variable	Maximum Gate Weight	Maximum Gate Length	Minimum Gate Length	Mount	Class of Operation ¹	Voltage VAC	HP	Power Outlets	Loop Ports ²
9530	#80	1-2 Ft/sec .3-.6m/sec	8000 Lbs ³ 3628 Kg	160 Ft 48m	25 Ft 7.6m	Pad	III, IV	208, 230, 460	3	2	2

1. III = Limited Access; IV = Restricted Access
2. Plug-in loop detector ports; open and reverse. DoorKing plug-in loop detectors only.

9530 Slide Gate Operator

Heavy-Duty Maximum Security Slide Gate Operator

Operators w/#80 Chain

9530-380 3 HP, 208V 3° (9.8A).....	14,595.00
9530-381 3 HP, 230V 3° (9.6A).....	14,595.00
9530-382 3 HP, 460V 3° (4.8A).....	14,595.00

Choose Entrapment Protection (required) Devices

Use Type B1 (non-contact) and/or Type B2 (contact) entrapment protection devices to protect all areas where the risk of entrapment exist - see Section A1, pages 42-43.

Operator will not run without entrapment protection device(s) connected to the controller board.

Loops and Loop Detectors

See section A1, page 44 for a complete list of all loop detectors, prefabricated loops and loop accessories available.

Accessories

2601-270 Chain Tray Kit 10 Ft (3m).....	399.00
1601-197 Heater Kit 208/230 VAC ¹	Note 2
1601-198 Heater Kit 480 VAC ¹	Note 2
9550-205 10 Ga. Steel Housing ³	4095.00

1. Use if temperature routinely falls below 10°F (-12°C).

2. See Section A1, page 31 for pricing.

3. Special order. Contact the factory for lead time.

Chain

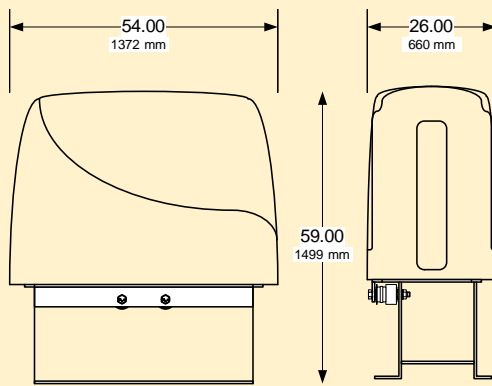
2601-268 #80 Chain, 10-Ft (3 m).....	249.00
2601-269 #80 Chain, 20-Ft (6 m).....	501.00

9550 Slide Gate Operator

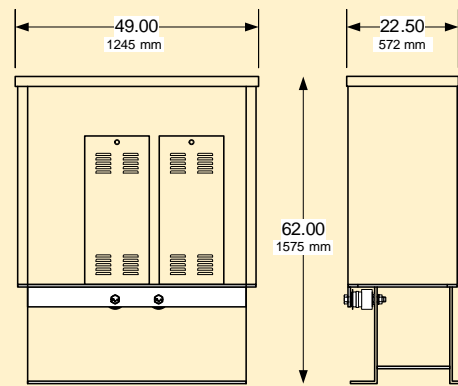
Heavy-Duty Maximum Security Slide Gate Operator

9550

- Adjustable Limits
- Plug-in Loop Detector Ports
- Built-in power and reset switches
- Two 115 VAC convenience outlets
- Partial open / anti-tailgate feature
- 40:1 Gear Reducer Drive Train
- Variable Speed
- 20-Foot (6m) #100 Chain
- Gate tracker data output
- Selectable stop/ reverse function



95xx-xxx with Standard Polyurethane housing



95xx-xxx with optional 10ga. Steel housing

Model	Chain	Speed Variable	Maximum Gate Weight	Maximum Gate Length	Minimum Gate Length	Mount	Class of Operation ¹	Voltage VAC	HP	Power Outlets	Loop Ports ²
9550	#100	.5-1 Ft/sec .15-.3m/sec	15,000 Lbs ³ 6803 Kg	160 Ft 48m	25 Ft 7.6m	Pad	III, IV	208, 230, 460	5	2	2

1. III = Limited Access; IV = Restricted Access
2. Plug-in loop detector ports; open and reverse. DoorKing plug-in loop detectors only.

9550 Slide Gate Operator

Heavy-Duty Maximum Security Slide Gate Operator

Operators w/#100 Chain

9550-380 5 HP, 208V 3° (12.9A).....	25,215.00
9550-381 5 HP, 230V 3° (12.8A).....	25,215.00
9550-382 5 HP, 460V 3° (6.4A).....	25,215.00

Choose Entrapment Protection (required) Devices

Use Type B1 (non-contact) and/or Type B2 (contact) entrapment protection devices to protect all areas where the risk of entrapment exist - see Section A1, pages 42-43.

Operator will not run without entrapment protection device(s) connected to the controller board.

Loops and Loop Detectors

See section A1, page 44 for a complete list of all loop detectors, prefabricated loops and loop accessories available.

Accessories

2601-270 Chain Tray Kit 10 Ft (3m).....	399.00
1601-197 Heater Kit 208/230 VAC ¹	Note 2
1601-198 Heater Kit 480 VAC ¹	Note 2
9550-205 10 Ga. Steel Housing ³	4095.00

1. Use if temperature routinely falls below 10°F (-12°C).
2. See Section A1, page 31 for pricing.
3. Special order. Contact the factory for lead time.

Chain

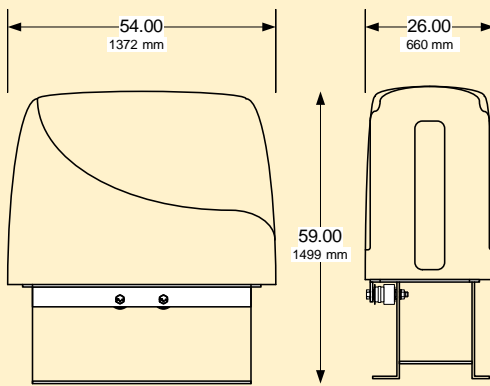
2601-272 #100 Chain, 20-Ft (6 m).....	543.00
---------------------------------------	--------

9555 Slide Gate Operator

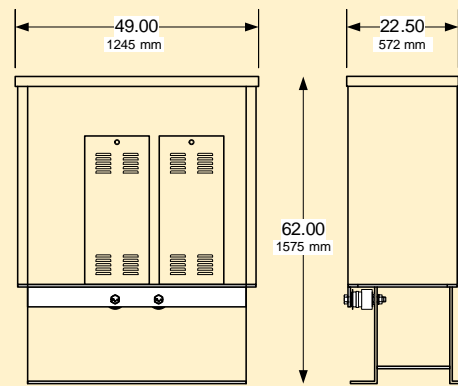
Heavy-Duty Maximum Security Slide Gate Operator

9555

- Adjustable Limits
- Plug-in Loop Detector Ports
- Built-in power and reset switches
- Two 115 VAC convenience outlets
- Partial open / anti-tailgate feature
- 40:1 Gear Reducer Drive Train
- Variable Speed
- 20-Feet (6m) #80 Chain
- Gate tracker data output
- Selectable stop/ reverse function



95xx-xxx with Standard Polyurethane housing



95xx-xxx with optional 10ga. Steel housing

Model	Chain	Speed Variable	Maximum Gate Weight	Maximum Gate Length	Minimum Gate Length	Mount	Class of Operation ¹	Voltage VAC	HP	Power Outlets	Loop Ports ²
9555	#80	1-2 Ft/sec .3-.6m/sec	10,000 Lbs ³ 4535 Kg	160 Ft 48m	25 Ft 7.6m	Pad	III, IV	208, 460	5	2	2

1. III = Limited Access; IV = Restricted Access
2. Plug-in loop detector ports; open and reverse. DoorKing plug-in loop detectors only.

9555 Slide Gate Operator

Heavy-Duty Maximum Security Slide Gate Operator

Operators w/#80 Chain

9555-380 5 HP, 208V 3° (12.9A).....	20,835.00
9555-382 5 HP, 460V 3° (6.4A).....	20,835.00

These operators include a mechanical disc braking system. A brake auto-release can be factory ordered with this operator.

Choose Entrapment Protection (required) Devices

Use Type B1 (non-contact) and/or Type B2 (contact) entrapment protection devices to protect all areas where the risk of entrapment exist - see Section A1, pages 42-43.

Operator will not run without entrapment protection device(s) connected to the controller board.

Loops and Loop Detectors

See section A1, page 44 for a complete list of all loop detectors, prefabricated loops and loop accessories available.

Accessories

2601-270 Chain Tray Kit 10 Ft (3m).....	399.00
1601-197 Heater Kit 208/230 VAC ¹	Note 2
1601-198 Heater Kit 480 VAC ¹	Note 2
9550-205 10 Ga. Steel Housing ³	4095.00

1. Use if temperature routinely falls below 10°F (-12°C).

2. See Section A1, page 31 for pricing.

3. Special order. Contact the factory for lead time.

Chain

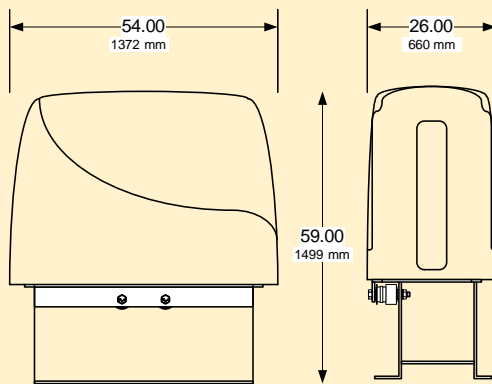
2601-268 #80 Chain, 10-Ft (3 m).....	249.00
2601-269 #80 Chain, 20-Ft (6 m).....	501.00

9575 Slide Gate Operator

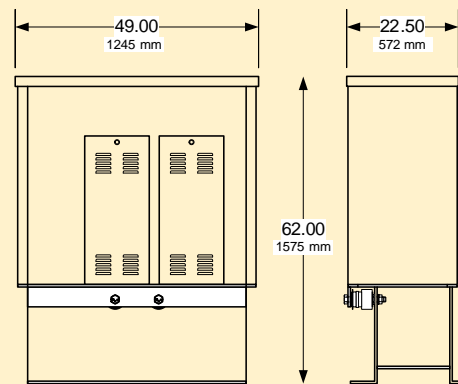
Heavy-Duty Maximum Security Slide Gate Operator

9575

- Adjustable Limits
- Plug-in Loop Detector Ports
- Built-in power and reset switches
- Two 115 VAC convenience outlets
- Partial open / anti-tailgate feature
- 40:1 Gear Reducer Drive Train
- Variable Speed
- 20-Foot (6m) #100 Chain
- Gate tracker data output
- Selectable stop/ reverse function



95xx-xxx with Standard Polyurethane housing



95xx-xxx with optional 10ga. Steel housing

Model	Chain	Speed Variable	Maximum Gate Weight	Maximum Gate Length	Minimum Gate Length	Mount	Class of Operation ¹	Voltage VAC	HP	Power Outlets	Loop Ports ²
9575	#100	1-2 Ft/sec .3-.6m/sec	25,000 Lbs ³ 11,339 Kg	160 Ft 48m	25 Ft 7.6m	Pad	III, IV	208	7.5	2	2

1. III = Limited Access; IV = Restricted Access
2. Plug-in loop detector ports; open and reverse. DoorKing plug-in loop detectors only.

9575 Slide Gate Operator

Heavy-Duty Maximum Security Slide Gate Operator

Operators w/#100 Chain

9575-380 7.5 HP, 208V 3 ϕ (22.6A)..... 32,850.00

Choose Entrapment Protection (required) Devices

Use Type B1 (non-contact) and/or Type B2 (contact) entrapment protection devices to protect all areas where the risk of entrapment exist - see Section A1, pages 42-43.

Operator will not run without entrapment protection device(s) connected to the controller board.

Loops and Loop Detectors

See section A1, page 44 for a complete list of all loop detectors, prefabricated loops and loop accessories available.

Accessories

2601-270 Chain Tray Kit 10 Ft (3m) 399.00

1601-197 Heater Kit 208/230 VAC¹ Note 2

9550-205 10 Ga. Steel Housing³ 4095.00

1. *Use if temperature routinely falls below 10°F (-12°C).*

2. *See Section A1, page 31 for pricing.*

3. *Special order. Contact the factory for lead time.*

Chain

2601-272 #100 Chain, 20-Ft (6 m) 543.00

Blank Page



DKS® (DoorKing®) Connection Options Fee Schedule

Programming your DKS telephone entry / access control system using legacy modem-to-modem connections (a modem and phone line at your PC) is becoming difficult to maintain. Modems are essentially obsolete and their performance is affected by the type of telephone service at your PC. There are also many variable factors that can affect the modem, including the brand and model of the programming PC, which OS version is in use, is the modem connected directly to the PC or through a USB Hub, brand and chipset versions of the modem and modem driver updates. Existing modem-to-modem connections may become unreliable as telephone providers update their systems and infrastructure and as your PC performs updates. These factors are beyond the control of DoorKing.

Beginning January 1, 2017 DoorKing will no longer offer technical support for communication failures between a PC modem and the DKS entry system modem. If the modem connection is found to be functional at the DKS entry system and DoorKing tech support personnel can connect to it via the DKS IM Server connection service, then this will be the recommended corrective action. Alternately, troubleshooting the PC modem will be the responsibility of the owner and their IT (Information Technology) personnel.

Because of these reasons, DoorKing offers a variety of connection options for our telephone entry and access control systems. These options offer a simple plug & play method to program your entry system via an internet or cellular connection and we also offer options for voice communications as well. The type of service you choose should be based on your particular needs, the application that the system is installed in and overall costs associated with these options. In many cases, you will find that the DoorKing options are less costly than legacy options such as a POTS (Plain Old Telephone Service) business line, VoIP (Voice over Internet Protocol) service providers or the time and cost of IT (Information Technology) personnel setting up routers, firewalls, port forwarding, DDNS (Dynamic Domain Name System) charges or static IP addresses.

DKS Cellular Option™

DKS Cellular is a wireless option that replaces standard telephone lines and internet connections and offers voice communication and/or data (programming) to the DKS telephone entry / access control system via the AT&T 4G LTE cellular network (where available). DKS Cellular is available in all states including Alaska and Hawaii and is also available in Puerto Rico, all U.S. territories, Canada and Mexico. This is a monthly cellular subscription service without any long term contracts. DKS Cellular plans include all taxes, fees and charges for voice and data communication, including long distance charges.

- Plug & Play installation. Requires DKS cellular adapter: 1800-080 for 1830 series; 1800-081 for Access Plus series; 1801-080 for 1800 series.
- Monthly fees range from \$39.95 to \$75.95 depending on minutes and/or data used, so your monthly fees may vary from month to month. In many cases, DKS cellular fees will be less than POTS (Plain Old Telephone Service) line charges.
- No phone lines or internet connection cables to run – no trenching or conduits to install.
- No obsolete slow modems – entry systems program much faster.
- Cellular offers crystal clear sound – no hums or buzzes.
- Cellular is practically immune to power surges and lightning damage.
- Use Voice + Data with PC programmable 1830 Series and Access Plus systems. Use Voice only with 1800 Series systems. Use Data only with 1838 Series access controllers.

DKS Cellular¹

Voice + Data		Monthly Fee	Voice Only ²		Monthly Fee	Data Only	Monthly Fee
Voice Minutes/Month	Data Transfers/Month		Voice Minutes/Month			Data Transfers/Month	
Up to 100	Up to 6	39.95	Up to 100		34.95	Up to 60	28.95
101 - 450	7 - 60	49.95	101 - 450		41.95	61 - 120	38.95
451 - 1200	61 - 90	59.95	451 - 1200		49.95	121 +	48.95
1201 - 2500	91 - 120	69.95	1201 - 2500		57.95		
2500 +	121 +	75.95	2500 +		64.95		

1. DKS Cellular is provided by AT&T 4G-LTE (where available). \$45.00 one-time activation fee applies.

2. Voice only cellular option will not support modem communication.

DKS VoIP and Data Options

DKS VoIP and Data services allow you to replace POTS (Plain Old Telephone Service) lines with your internet connection and offers voice communication and/or data (programming) to the DKS telephone entry / access control system. This is a flat rate monthly subscription service without any long term contracts and includes all taxes, fees and charges for voice and/or data communication.

- Plug & Play installation. Requires DKS 1830-186 TCP/IP adapter for programming. DKS 1815-568 VoIP adapter required for voice service. As an option, use the DKS 1830-185 TCP/IP¹ adapter and your own VoIP³ provider.
- Data + VoIP combination simplifies installation. Requires DKS 2334-080 with VoIP + Data subscription.
- Flat rate monthly fee: voice and data \$23.95², voice only \$19.95²; data only \$4.95.
- Requires a network (internet) connection at the system – distance limitations on network wiring do apply.
- You can use your own VoIP service³ and the DKS Data only option for programming.

1. There is a no fee option that will allow you to connect to the entry system via the internet without using DKS data services. This adapter requires manual configuration and fees or charges may be incurred for a static IP address or DDNS (Dynamic Domain Name System) host service. You will also need to use your own VoIP service for communication.
2. VoIP service provided by DKS.
3. If you use your own VoIP service, you will responsible for all charges for this service including hardware, subscription, taxes and other fees.

DKS VoIP and Data Options

VoIP + Data	Monthly Fee ⁴	VoIP Only	Monthly Fee ⁴	Data Only	Monthly Fee
Flat Rate	23.95	Flat Rate	19.95	Flat Rate	4.95

4. Includes VoIP service provided by DKS.

DKS IM Server Modem™ (Pat: 9,049,306)

DKS IM Server utilizes the POTS (Plain Old Telephone Service) line connected to the telephone entry system to provide data (programming) transfer to the DKS telephone entry / access control system via the internet connection at your programming computer. Voice communication is provided over the POTS line. This service is useful if your programming PC does not have a modem, or if your modem cannot communicate with the entry system modem¹. This is a monthly subscription service without any long term contracts and includes taxes and charges for the data communication only. DKS IM Server Modem is only available for use with 1830 series and Access Plus series systems.

- Plug & Play Data transfer connection – voice service provided by local telephone company.
- Monthly fees range from \$6.95 to \$15.45 depending on the number of residents in the system database.
- DoorKing maintains the right to determine excessive usage (data transfers) at any time and may require you to reduce your usage (data transfers). Failure to comply may result in service termination.
- Requires a POTS (Plain Old Telephone Service) line¹ at the entry system. User is responsible for all phone company charges including local and long distance charges, taxes and other fees for this line.

1. DoorKing can no longer guarantee modem connections as some phone company services and switches no longer support modem communications since these devices are considered to be obsolete technology. The telephone line at the entry system must support G.711 level service for the IM Server Modem to work. You should also be aware that modem communications will not work over cellular or VoIP connections.

DKS IM Server Modem™ (Pat: 9,049,306) (Existing Phone Line Service²)

Voice + Data	Pay per Month	Pay per Year
Up to 100 Residents	6.95	76.45
101 – 250 Residents	9.45	103.95
251 – 500 Residents	11.95	131.45
501 + Residents	15.45	169.95

2. POTS (Plain Old Telephone Service) line at the entry system provided by the local telephone company. User is responsible for all phone company charges including local and long distance charges, taxes and other fees for this line.