



2014 Arrow Product Catalog

ASSA ABLOY, the global leader
in door opening solutions

ARROW
LOCK & DOOR HARDWARE
ASSA ABLOY

Arrow Product Catalog

Table of Contents

Arrow Lock Product Matrix	2
Finishes	5
Limited Warranty	6
Stand-Alone Touchpad Lock	
Revolution V1	8
Revolution V2	11
Revolution V3	13
Keys & Cylinders	
Pointe	16
Pointe Flex	17
SFIC Cam Lock	18
Sliding Door IC Core	19
Cylinder Housings	20
Cams and Tailpieces	21
Cylinders	22
Mortise Locks	
AM & BM Series	23
Cylindrical Levers	
QL Series	37
GL Series	40
MLX Series	43
RLX Series	45
RL Series	49
Tubular Locks	
C Series	53
Cylindrical Knobs	
HK Series	57
MK Series	58
RK Series	64
Deadbolts	
D Series	68
E Series	69
DB Series	71
E Series Occupancy Indicator Deadbolt	73
SFIC Management Control Deadbolt	74
D, E, DB Reference Chart	75
N Series	76
Surface Door Closers	
DC300	78
DC500	80
900N	84
5016N	86
7800 & 7900 Powered Door Operators	88
7700 Powered Door Operators	93
Alarmed Hardware	
100 Series	97
300 & 400 Series	98
Exit Devices	
3000 Series	100
4000 Series	102
S1150 & S1250 Series	103
500 & 600 Series	107
Arrow Express	113

We're Here to Help You Choose the Right Products...

SFIC

MORTISE
LOCKSCYLINDRICAL
LEVERSTUBULAR
LOCKSCYLINDRICAL
KNOBS

Premier Products

Point Flex
Point

Patented key design
Lockout feature
Solid brass construction
Reinforced sleeve design

AM/BM

GRADE 1
29 functions
15 knob designs
21 lever designs
8 functions

GL QL
MLX RL RLX

GRADE 1
6 functions (GL)
6 functions (QL)
1 lever design
Overdrive option
IC core option

C

HK MK RK

GRADE 1
6 functions
1 design
IC core options

Classic Products

Point Flex
Point

Solid brass construction
Reinforced sleeve design

AM/BM

GL QL
MLX RL RLX

GRADE 2
7 functions
IC Core Option
1 lever design

C

HK MK RK

GRADE 2
17 functions
6 designs
7 functions
IC core option

Value Products

Point Flex
Point

AM/BM

GL QL
MLX **RL RLX**

Grade 2
7 functions (RL)
2 lever designs (RL)
6 functions (RLX)
1 lever design (RLX)
Overdrive feature (RLX)
IC core option

C

HK MK RK

Grade 2
6 functions
4 lever designs
3 knob designs
5 functions

Grade 2
6 functions
1 design
IC core option



DEADBOLTS

CLOSERS &
OPERATORSREVOLUTION
TOUCHSCREEN
LOCKALARMED
HARDWARE

EXIT DEVICES

Premier Products

D E
DB900N 5016N 7700 7800
7900 DC300 DC500V1
V251 V353

130N 300 400

1000 3000 4000
500/600 S1150/S1250GRADE 1
7 functions
IC core optionsGRADE 1
900N Aluminum
Storefront Closer
5016N Architectural Closer
Door Operator (7800)
Built in Power Supply
Available with
Power Cord (7900)V1 – Grade 1
V2 – Grade 2
V3 – Grade 2
1,000 users (V1)
25 users (V2, V3)
3 languages
Weather resistant
Voice promptedGRADE 1
3 functions
4 hardware finishes
3 versions:
Stand alone (130N)
Paddle (300)
Touchbar (400)GRADE 1
3000: rim, SVR,
CVR, mortise
4000: rim, CVR,
mortise

Classic Products

D E
DB900N 5016N 7700 7800
7900 DC300 DC500V1
V251 V353

130N 300 400

1000 3000 4000
500/600 S1150/S1250GRADE 2
2 styles (41&61)
6 functions (61)
2 functions (41)
7 finishes (61)
3 finishes (41)
IC core option (61)Grade 1
Cast Iron Closer (DC500)
Adjustable size 1-6
2 finishesGRADE 1
1000: rim, SVR, mortise
S1150: SVR
S1250: rim

Value Products

D E
DB900N 5016N 7700 7800
7900 DC300 DC500V1
V251 V353

130N 300 400

1000 3000 4000
500/600 S1150/S12502 functions
3 finishes
IC core optionGrade 1
Adjustable size 1-4
Adjustable size 2-5
Fixed size 4 & 5
2 finishesGrade 1
500: rim
600: SVR



NOTHING COMPARES TO THE REVOLUTION!

Easy install. Easy programming.
Easy to see for yourself!



To see demonstrations visit
arrowlock.com/easydemo

Saves Money • Easy to Reprogram • Voice Prompted
Install Easily Over Existing Holes in Minutes



ASSA ABLOY, the global leader
in door opening solutions



Arrow Product Catalog

Finishes

605 (US3)

Bright Brass

606 (US4)

Satin Brass

609 (US5A)

Satin Brass, Blackened

611 (US9)

Bright Bronze

612 (US10)

Satin Bronze

613 (US10B)

Oil Rubbed Satin Bronze

613E (US10BE)

Dark Oxidized Satin Bronze,
Electroplated

614 (US10BL)

Dark Oxidized Satin Bronze,
Clear Coated

619 (US15)

Satin Nickel

625 (US26)

Bright Chromium Plated

626 (US26D)

Satin Chromium Plated

629 (US32)

Bright Stainless Steel

630 (US32D)

Satin Stainless Steel

689 (US28)

Aluminum (AL)

690

Dark Bronze (DBZ), (BRZ)

691

Light Bronze (LBZ)

GOLD

(GL)

RED

(RD)

The finishes listed above represent a sampling of those most commonly used. Due to the different types of base metals used in the manufacture of our products, finishes may vary slightly.

We strongly urge that when specifying or selecting finishes, careful consideration be given to opening usage requirements and climatic conditions. These factors may over time cause a breakdown to protective coatings or damage metal finishes.

* For availability of non-standard finishes, please consult Arrow customer service, an Arrow sales representative or your authorized Arrow distributor.

Interchangeable Core

Look for this symbol to indicate availability of product with interchangeable core.

ADA/Americans with Disabilities Act

Acceptable Door Hardware: Section 4.13.9

“Handles, pulls, latches and other operating devices on accessible doors shall have a shape that is easy to grasp with one hand and does not require grasping, tight pinching or twisting of the wrist to operate. Lever operated mechanisms, push-type mechanisms and “U” shaped handles are acceptable designs. Hardware for accessible door passage shall be mounted no higher than 48 inches (1219.20mm) above the finished floor.”

Look for the universal symbol next to Arrow products that comply with ADA Accessibility requirements.

Arrow Product Catalog

Limited Warranty

ARROW LOCK® warrants that its products sold under the “ARROW LOCK” trade name in the United States of America are free from defects in workmanship and materials under normal use and service.

This warranty does not cover defects or damage arising from improper installation, lack of or improper maintenance, improper storage, shipping and handling, corrosion, erosion, ordinary wear and tear, misuse, abuse, accident, unauthorized service, or use with unauthorized non-ARROW LOCK products or parts.

This warranty is void if any modification is made to the warranty product, regardless of whether the modification causes or contributes to the alleged defect. All modifications are made at the risk of the party making the modification.

The only liability of ARROW LOCK®, in tort or contract whether under this warranty or otherwise, shall be limited to the repair or replacement of any product or component part which shall prove defective as covered by this warranty, within the stated time period listed below, after delivery to the original purchaser.

- AM & BM Series Mortise Locks – 5 years
- QL & MLX Series Cylindrical Locks – up to 10 years
- RLX Series Cylindrical Locks – up to 10 years
- GL Series Cylindrical Locks – 5 years
- Revolution V1 Series – 3 years
- Revolution V2 Series – 1 year electronic, lifetime mechanical and finish for residential use
– 1 year electronic, 3 years mechanical and finish for commercial use
- S1150 & S1250 Series Exit Devices – 3 years
- 3000 & 4000 Series Exit Devices – 5 years
- Door Closers – 10 years
- Door Operators – 7800 & 7900 Series – 2 years
– 7700 Series – 1 year
- CK & CL Series Tubular Locks – 5 years
- RK & RL Series Cylindrical Locks – 5 years
- 500 & 600 Series Exit Devices – 5 years
- D/E Series Deadbolts – 1 year
- All other ARROW LOCK products – 1 year

Warranty for Cylinders Factory or Field Combinated

Cylinders shall be periodically lubricated depending on environmental conditions. Dry graphite, molybdenum disulfide, or Polyube® are recommended. Petroleum based liquid lubricants should only be used in cylinders in harsh or corrosive environments and should not be mixed with dry lubricants.

Warranty for Cylinders Field Combinated

1. Keys shall be cut to the ARROW LOCK® key biting specifications required for the particular keyway and depth system.
2. All pin lengths shall be selected according to prevailing factory standards.
3. Original ARROW LOCK® cylinder components, including pin tumblers and key blanks, shall be used. We reserve the right to void the warranty if we deem that a malfunction is a result of non-original components which do not conform to ARROW LOCK® standards.

Arrow Product Catalog

Limited Warranty

Keying Systems

All bittings shall be originated or authorized by the ARROW LOCK® Key Systems Department to be compatible with one another in a specific type of cylinder (conventional, security, high security, interchangeable core, removable core) and within a particular keying system.

ARROW LOCK® will not pay for the cost of repair performed other than in accordance with this warranty.

Refer to our Returned Goods Policy regarding the return of a product or component part believed to be defective as covered by this warranty. A brief description of the defect will be required. Product will be examined upon return. In the event such examination reveals a defect covered by this warranty, the product will be repaired or replaced.

THIS WARRANTY IS IN LIEU OF ALL OTHER EXPRESS WARRANTIES. TO THE EXTENT PERMITTED BY LAW, ALL IMPLIED WARRANTIES ARE LIMITED TO THE DURATION OF THIS WARRANTY. ARROW LOCK® MANUFACTURING COMPANY SHALL NOT BE LIABLE FOR ANY INCIDENTAL OR CONSEQUENTIAL DAMAGES. NO AGENT, SALES REPRESENTATIVE OR DEALER HAS THE AUTHORITY TO INCREASE OR ALTER THE OBLIGATIONS OF THIS WARRANTY.

SOME STATES DO NOT ALLOW LIMITATIONS ON HOW LONG AN IMPLIED WARRANTY LASTS OR THE EXCLUSION OR LIMITATION OF INCIDENTAL OR CONSEQUENTIAL DAMAGES, SO THE ABOVE LIMITATIONS OR EXCLUSIONS MAY NOT APPLY TO YOU.

THIS WARRANTY GIVES YOU SPECIFIC LEGAL RIGHTS, AND YOU MAY ALSO HAVE OTHER RIGHTS WHICH VARY FROM STATE TO STATE.

ARROW LOCK® Manufacturing Company

Latest Information:

For the latest information on the Arrow product line, please visit www.arrowlock.com and make sure you sign up to receive our e-newsletter and check out our latest blog for up to date information.

Be sure to check us out on the following social media sites:



Facebook: www.facebook.com/arrowrevolution



Twitter: www.twitter.com/arrowrevolution



YouTube: www.youtube.com/revolutionbyarrow



E-Newsletter Signup: www.arrowlock.com/newsletter

Revolution Stand-Alone Touchscreen Lock

Premier Product

The Arrow Revolution stand-alone touchscreen lock combines the functional elements of a cylindrical lockset with the latest technology designed for electronic aesthetics. Dealers will benefit by providing an up to date technological solution that is also quick and easy to install.

Users benefit from a simple interaction with the lock through a voiceguided touchscreen, making day-to-day use and programming easy. The Revolution is recommended for healthcare facilities, offices, retail environments, multi-family, hospitality, government facilities, as well as K-12 school environments. The Revolution provides a traffic control solution for areas requiring restricted access. If necessary either a single user or all users can be easily locked out by the administrator. This feature provides a quick lockout option in case of a security concern.



REVOLUTION

Certification:



All Arrow Revolution Stand-alone Touchscreen Locks are UL/cUL listed for use on 3 hour, A label or lesser doors and are certified to conform to and exceed the requirements of ANSI/BHMA A156.2, Series 4000, Grade 1.

- Federal Specification FF-H-106C
- ANSI A117.1 Accessibility Code
- California State Reference Code for levers returning to within 1/2" (12.7mm) of door surface



Features & Specifications:

Electronic Elements:

- Stand-alone touchscreen access locking device
- Interactive voice-guided programming
- Tri-lingual, English/Spanish/French
- 4 AA batteries
- Request to enter (REX) input allows remote access capability
- Volume control – High, Low – Default, Silent
- Visual verification of pin code programming
- Feature access through keypad programming, 4-12 digit user pin codes
 - 255 users and 1 master user
 - Lockout Mode
 - Passage Mode
 - Auto Re-Lock

ADA/Americans with Disabilities Act:

Acceptable Door Hardware: Section 4.13.9

Handles, pulls, latches and other operating devices on accessible doors shall have a shape that is easy to grasp with one hand and does not require grasping, tight pinching or twisting of the wrist to operate. Lever operated mechanisms, push-type mechanisms and "U" shaped handles are acceptable designs.



Look for the universal symbol next to Arrow products that comply with ADA accessibility requirements.

Mechanical Components:

- UL listed for use on fire doors
- ADA compliant levers
- Install lock and latch with only 5 screws
- Key Override – Uses standard Arrow cylinders available in AR and CS keyways
- Also available in Small Format Interchangeable and select Large Format Interchangeable Core Prep
- Weather resistant
- Field Reversible
- Door Prep: Standard 161 Prep with one additional 3/4" hole
- Standard three (3) year warranty

Finishes:

- Polished Brass US3, Dark Oxidized Satin Bronze, Electroplated US10BE, Satin Chrome US26D

Functions:

- V1-51 Key Override

Revolution Stand-Alone Touchscreen Lock

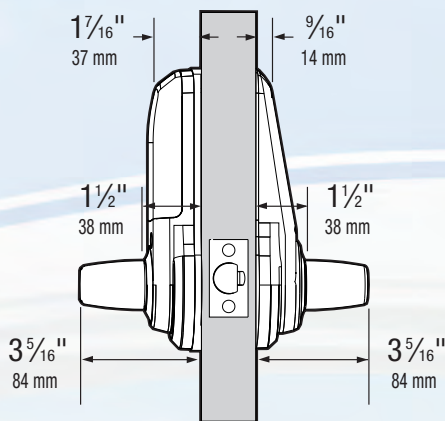
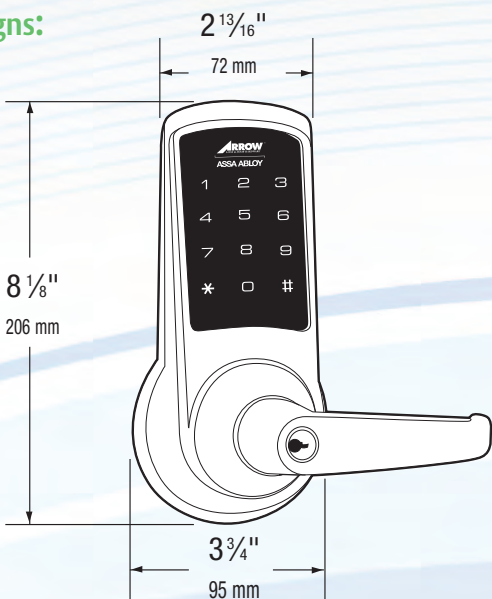
Premier Product

Features (Continued):



OverDrive™ will allow a locked lever to rotate freely without retracting the latch, improving the life and performance of Arrow locksets.

Designs:



OverDrive™ – Freewheeling lever action occurs when latch retraction mechanism disengages from lever handle when handle is locked. Built-in stops in the rose insert prevent lever from traveling beyond approximately 57 degrees.

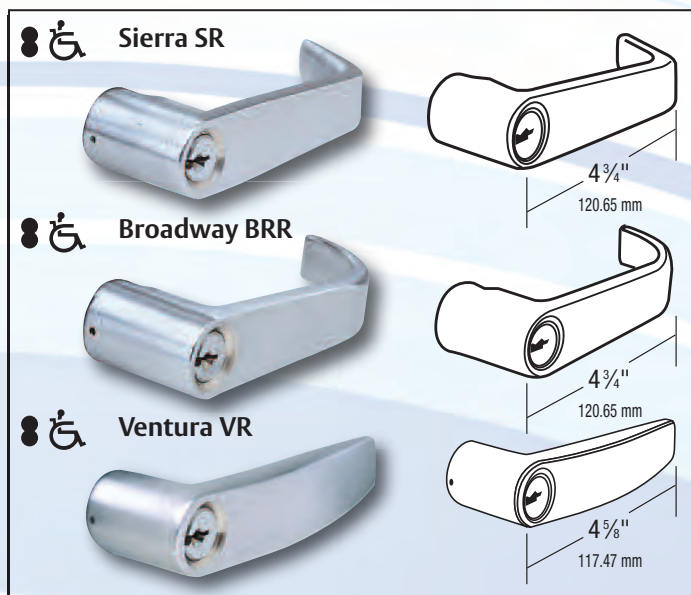
Backset – 2-3/4" (69.85mm) standard. Also available in 2-3/8" backset.

Packaging – 1 per box, 3 per case.

Door Thickness – 1-3/4" (44mm) door thickness standard.

For use on 1-3/8" thick doors, a special thin door kit must be used. To order the 1-3/8" thin door kit, **Specify Part Number: V1-Kit1**. This kit includes inside and outside escutcheon spacers as well as a 2-3/8" latchbolt. **Note:** Using a 2-3/8" latchbolt results in Grade 2 certification on the lock.

Note: Revolution REX Wire Harness sold separately.

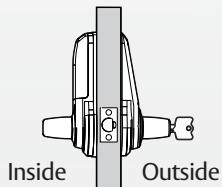


Finishes:

	BHMA	U.S. Equiv.	Arrow Equiv.	Finish
1	605	US3	03	Bright Brass
2	613E	US10BE	10BE	Dark Oxidized Satin Bronze, Electroplated
3	626	US26D	26D	Satin Chromium Plated

ARROW FUNCTION

V1-51 Touchscreen with Key Override



DESCRIPTION

- For doors that require mechanical key override.
- Latchbolt retracted by outside lever with valid pincode; by use of mechanical key, or by operating inside lever.
- Inside lever always active.
- Deadlocking latchbolt.

Revolution Stand-Alone Touchscreen Lock

Premier Product

Order Example:

Series: V1
Function: 51 (touchscreen w/key override)
Trim: SR (lever w/angled return)
Finishes: 26D (US26D), 03 (US3),
 10BE (US10BE)

Strike: V18 (t-strike)
 V14 (ANSI strike)
Latch: V44 (2-3/4" BS x 1-1/8" beveled front)
 V45 (2-3/4" BS x 1-1/8" flat front)

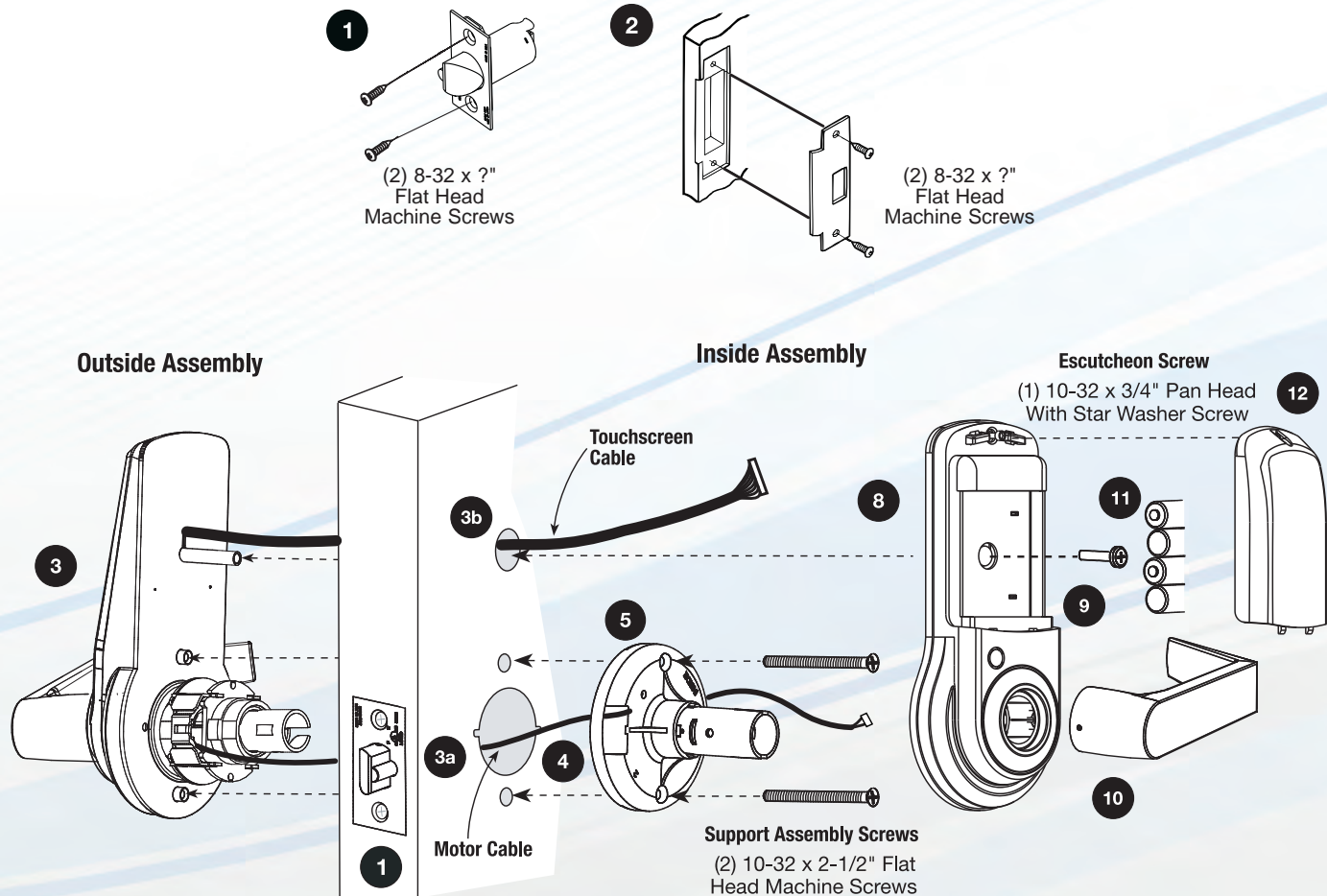
Suffix Options (V1-51 function only):

CIC (Corbin LFIC)
 IC (SFIC less core)
 KD (std. cyl. keyed different)
 LC (less std. cyl.)
 LIC (Medeco/ASSA LFIC)
 OB (0-bitted)
 SIS (Schlage LFIC)

Example: To order a Revolution stand-alone touchscreen lockset with a Sierra design lever, satin chrome finish, with an ASA strike and 2-3/4" backset, keyed different:

Specify:	<u>V1</u>	<u>51</u>	<u>SR</u>	<u>26D</u>	<u>V18</u>	<u>V44</u>	<u>KD</u>
	Series	Function	Design	Finish	Strike	Latch	Suffix Options

How to Install:



LT-503127-10

Revolution Stand-Alone Touchscreen Deadbolt

Premier Product

The NEW Arrow Revolution stand-alone touchscreen deadbolt offers a high-tech, aesthetically pleasing security solution to enhance everyday deadbolt systems. Using state-of-the-art touchscreen technology, end-users can easily grant access for up to 25 individual users without the need to distribute and keep track of multiple keys. The Revolution deadbolt is simple to program and easy to install in a matter of minutes.

Multilingual voice guided technology allows for hassle-free programming without a need for bulky manuals. For any facility application requiring an advanced featured deadbolt to control entry, the Arrow Revolution Deadbolt is the modern, ideal solution.



REVOLUTION

Certification:

- ANSI A117.1 Accessibility Code
- Certified ANSI/BHMA A156.36, Grade 2



Features & Specifications:

Electronic Elements:

- Stand-alone Touchscreen Access Locking Device
- Trilingual – English, Spanish, French
- High Tech Look & Feel
- Volume Levels – High, Low – Default, Silent
- Easy to Use, Install, and Program
- Users:
 - 25 Users
 - Add/Delete Individual Users
- Battery Life – One Year
- Deadbolt Motor – Motorized Bolt In and Out
- Privacy Feature

Mechanical Components:

- Medium Duty Commercial, Grade 2
- Door Thickness:
 - 1-3/8" – 2-1/4" Thick Doors
 - 1-3/8" Requires a Special Thin Door Gasket (Part V1-GSK-PK)
- Keying – Standard Cylinder or SFIC Prep.
- Key Override – Uses standard Arrow cylinders available in CS keyways
- Weather Resistant – Full Wrap Around Gasket on Both Sides
- Manual Retraction – Inside Thumbturn, Clutched Motor Assembly
- Door Prep – Standard Prep; 2-1/8" Through Hole, 1" Bore Hole For Latch
- Backset – Adjustable to 2-3/4" or 2 3/8"
- Warranty – 1 year electronic, lifetime mechanical and finish for residential use.
 - 1 year electronic, 3 years mechanical and finish for commercial use.

Finishes:

- US3, US10BP, US15

Functions:

- V2-51 Touchscreen

Revolution Stand-Alone – Touchscreen & Pushbutton Deadbolt

Order Example:

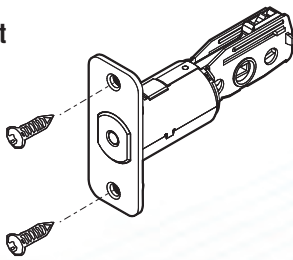
Series:	V2	Strike:	V2S	Suffix Options:	
Function:	41 (pushbutton) 51 (touchscreen)	Latch:	V2L		KD (standard cylinder keyed different)
Finishes:	03 (US3) 10BP (US10BP) 15 (US15)	Keyway:	CS		IC (SFIC less core, not available with 41 function)

Example: To order a Revolution Touchscreen Deadbolt in satin nickel finish, rounded strike, with an adjustable backset for 2-3/8" or 2-3/4", CS keyway, keyed different:

Specify:	<u>V2</u>	<u>51</u>	<u>15</u>	<u>V2S</u>	<u>V2L</u>	<u>CS</u>	<u>KD</u>
	Series	Function	Finish	Strike	Latch	Keyway	Suffix Options

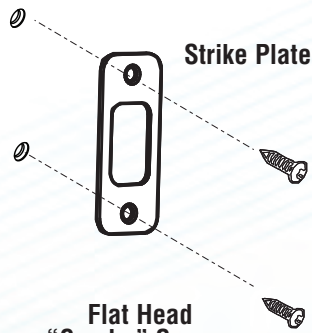
How to Install:

Deadbolt



Flat Head "Combo" Screws

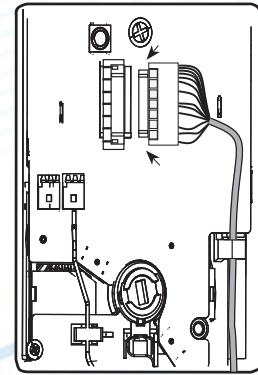
M6 x 8mm
8-32 x 5/16"



Strike Plate

Flat Head "Combo" Screws

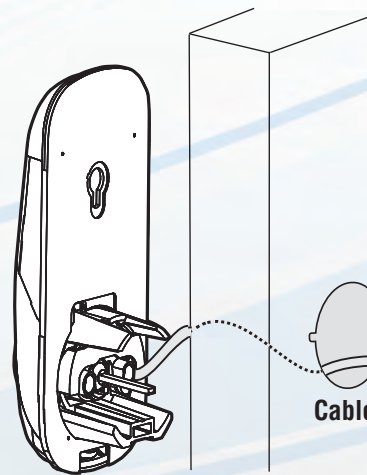
M6 x 8mm
8-32 x 5/16"



Circuit Board

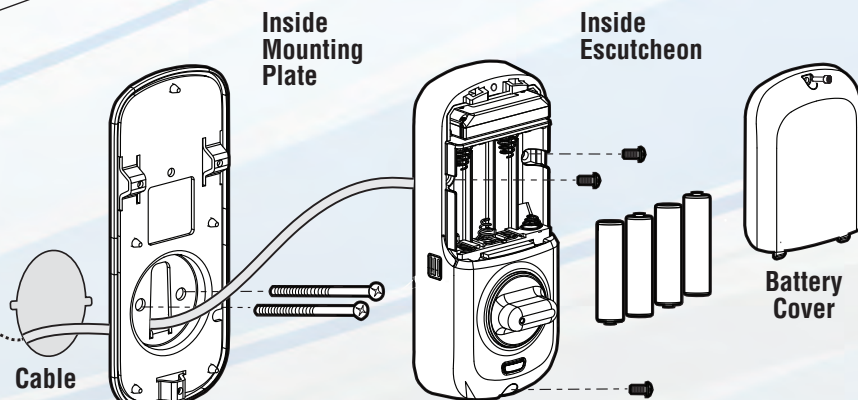
Cable Connector on
inside circuit board

Outside Escutcheon



V2 51 Touchscreen

Inside Escutcheon



Thru-Bolts Pan Head Machine Screws

M6 x 59.5mm
15/64 x 2-11/32"

Pan Head Machine Screws

M4 x 8mm
8-32 x 5/16"

Battery Cover

Revolution Stand-Alone Touchscreen Leverlock

Premier Product

The NEW Arrow Revolution stand-alone touchscreen leverlock offers a high-tech, aesthetically pleasing security solution to enhance everyday leverlock systems. Using state-of-the-art touchscreen technology, end-users can easily grant access for up to 25 individual users without the need to distribute and keep track of multiple keys. The Revolution leverlock is simple to program and easy to install in a matter of minutes.

Multilingual voice guided technology allows for hassle-free programming without a need for bulky manuals. For any facility application requiring an advanced featured leverlock to control entry, the Arrow Revolution leverlock is the modern, ideal solution.



REVOLUTION

Certification:

- ANSI A117.1 Accessibility Code
- Certified ANSI/BHMA A156.36, Grade 2



Features & Specifications:

Electronic Elements:

- Stand-alone Touchscreen Access Locking Device
- Trilingual – English, Spanish, French
- High Tech Look & Feel
- Volume Levels – High, Low – Default, Silent
- Easy to Use, Install, and Program
- Users:
 - 25 Users
 - Add/Delete Individual Users
- Battery Life – One Year

Mechanical Components:

- Medium Duty Commercial, Grade 2
- Door Thickness – 1-3/8" – 1-3/4" Thick Doors
- Key Override – Uses a key-in-lever cylinder available in a CS keyway
- Weather Resistant – Full Wrap Around Gasket on Both Sides
- Door Prep – Standard Prep; 2-1/8" Through Hole, 1" Bore Hole For Latch
- Backset – Adjustable 2-3/8" to 2-3/4"
- Warranty – 1 year electronic, lifetime mechanical and finish for residential use.
 - 1 year electronic, 3 years mechanical and finish for commercial use.

Finishes:

- US3, US10BL, US15

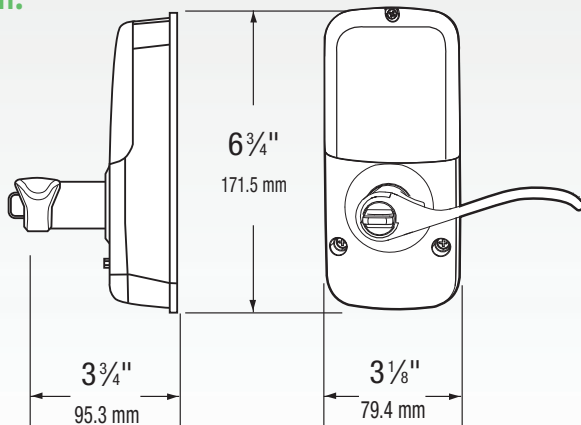
Functions:

- V3-51 Touchscreen

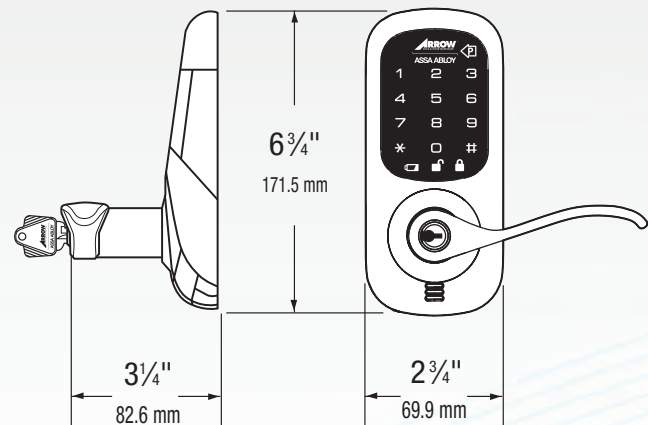
Revolution Stand-Alone Touchscreen Leverlock

Premier Product

Design:



Touchscreen Leverlock Interior



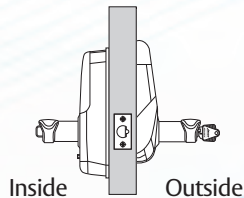
Touchscreen Leverlock Exterior

Finishes:



	BMHA	U.S. Equip	Arrow Equip	Finish
1	605	US3	03	Bright Brass
2	614	US10BL	10BP	Dark Oxide Bronze, Clear Coated
3	619	US15	15	Nickel Plated

ARROW	FUNCTION	DESCRIPTION
V351	Touchscreen with Key Override	<ul style="list-style-type: none"> • For doors that require optional mechanical key override. • Latchbolt retracted by lever outside with valid pincode; by use of mechanical key, or by operating lever inside. • Inside lever always active. • Deadlocking latchbolt.



Order Example:

Series: V3
Function: 51 (Touchscreen w/key override)
Finishes: 03 (US3)
 10BP (US10BL)
 15 (US15)

Strike: V3S (Full lip)
Latch: V3L (Adjustable 2-3/8" to 2-3/4")
Keyway: CS

Suffix Options:
 KD (Standard cylinder keyed different)

Example: To order a Revolution stand-alone touchscreen leverlock in satin nickel finish, with an adjustable backset for 2-3/8" or 2-3/4", CS keyway, keyed different:

Specify:

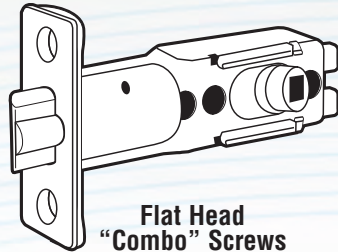
V3	51	LR	15	V3S	V3L	CS	KD
Series	Function	Trim	Finish	Strike	Latch	Keyway	Suffix Options

Revolution Stand-Alone Touchscreen Leverlock

Premier Product

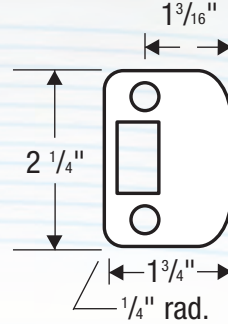
How to Install:

V3L Latchbolt



**Flat Head
"Combo" Screws**
M6 x 19mm
8-32 x 3/4"

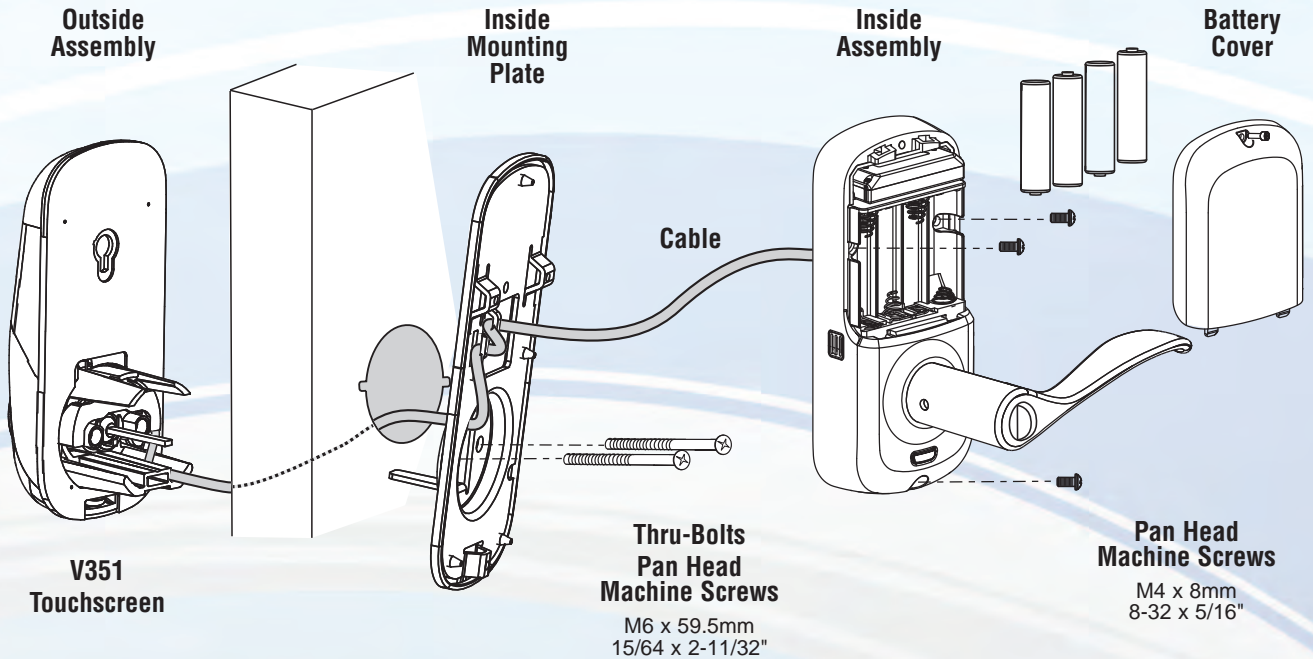
V3S Strike Plate



**Flat Head
"Combo" Screws**
M6 x 19mm
8-32 x 3/4"

Outside Escutcheon

Inside Escutcheon

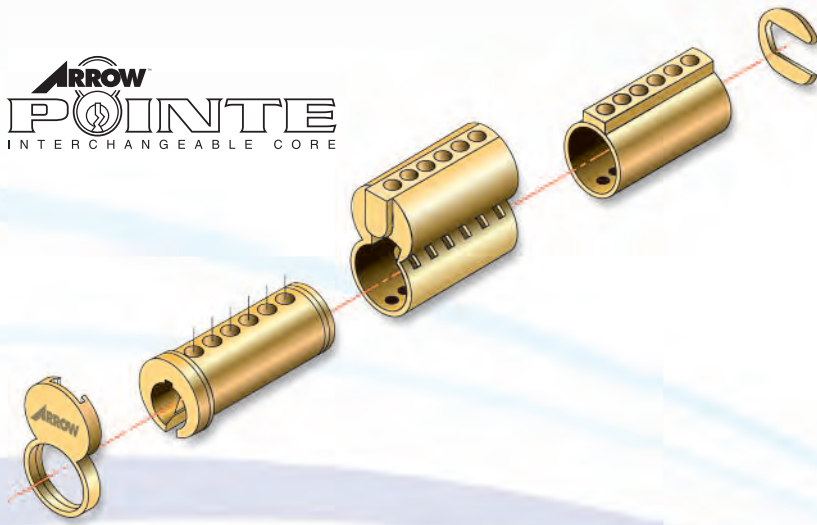


Cylinders & IC Products – Arrow Pointe

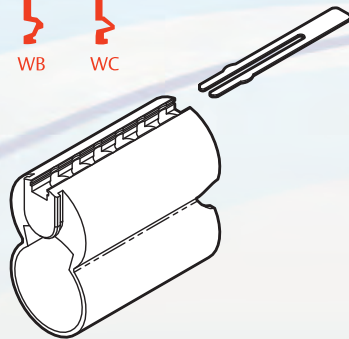
Classic Product

Arrow Pointe interchangeable core products offer dealers unlimited flexibility and keying options. Available in standard 6 and 7 pin format in Arrow and competitive keyways, dealers can install Arrow Pointe in new or existing key systems. Arrow's unique manufacturing process gives Arrow Pointe interchangeable cores unmatched strength and durability. The core features four main components: The plug, shell, sleeve and faceplate. Our precision engineering design, keying capability and availability make Arrow Pointe interchangeable cores our most specified brand for commercial, industrial and institutional applications.

ARROW
POINTE
INTERCHANGEABLE CORE



Arrow & Competitor Keyways:



7 PIN
INTERCHANGEABLE
CORE

6 PIN
INTERCHANGEABLE
CORE

Features:

- Solid Brass Construction
- Reinforced Sleeve Design
- Combined or Uncombined
- US26D or US4 finish

Arrow Keyways:

- 1C & 1D Standard
- Competitive Keyways Available
- Restricted Keyways Available — Consult Factory

Cat No.	Description
100CR	6 Pin Combined Core
100CR-UC	6 Pin Uncombined Core
7100CR	7 Pin Combined Core
7100CR-UC	7 Pin Uncombined Core
C x Keyway	6/7 Pin Key Blank
CP x Keyway	6/7 Pin Key Blank, Plain Bow

SFIC Cores With Alternate Slide Cover

Cat No.	Description
100SR	6 Pin Combined Core
100SR-UC	6 Pin Uncombined Core
7100SR	7 Pin Combined Core
7100SR-UC	7 Pin Uncombined Core

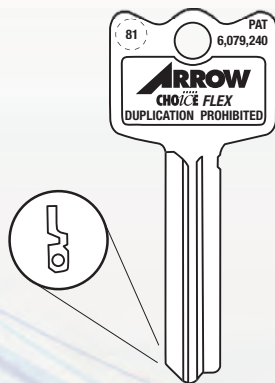
Cylinders & IC Products – Arrow Pointe Flex

Premier Product

The Pointe Flex System offers a totally new concept in interchangeable core key control. The system employs a unique core security feature and patented key design. The unique feature is the pin assembly which runs through the center of the core keyway preventing standard competitive interchangeable core keys from entering the lock cylinder. Only the patented Pointe Flex key can operate locks with the Pointe Flex cylinder. All keyways are restricted and will be issued on a contractual basis, determined by geographical availability. Pointe Flex enables you to create a high/low system, by incorporating core with and without the pin assembly, greatly enhancing flexibility.



7 PIN INTERCHANGEABLE CORE & PATENTED KEY



Features:

- Available 6 and 7 pin
- Solid brass construction
- Reinforced sleeve design
- Combined or Uncombined
- US26D or US4 finish

Arrow Keyways:

Restricted keyways—consult factory for availability.

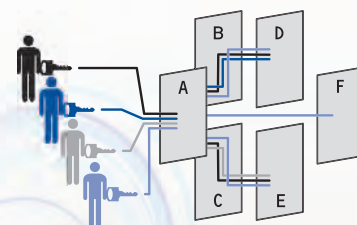
CAT NO.	DESCRIPTION
X1CR	6 Pin Core Combined
X71CR	7 Pin Core Combined
X1CR-UC	6 Pin Core Uncombined
X71CR-UC	7 Pin Core Uncombined

Pointe Flex Key Blanks:

Nickel Silver

CAT NO.	DESCRIPTION
CHX x Keyway	6 or 7 Pin Key Blank, with hole in blade
CH x Keyway	6 or 7 Pin Key Blank without hole in blade

* Dualevel Masterkeying Capabilities.



† Door "F" uses Flexcore within masterkey system.

- Maintenance (A, B, C, D, E)
- Supervisor A (A, B, D)
- Supervisor B (A, C, E)
- General Manager (All doors)†

Cylinders & IC Products – Arrow Cam Locks

Classic Product

The Arrow SFIC keyway Cam Locks offer a retrofit option for keying into existing SFIC system with a 3/4" cylinder. The Arrow Cam Locks are available in all of the Arrow (with the exception of Flex) and the most popular competitor keyways, providing a wide selection for almost any retrofit application.

The Arrow cam locks are ideal for us on cabinets, desks, elevators, alarm panels or other applications to secure valuable data or information.

Our precision engineering and design, keying capabilities and availability make the Arrow Cam Locks an ideal solution for commercial, industrial and institutional applications.

Features:

- Fits any standard 3/4" Double D Hole (Double D Washer included for round hole mounting.)
- Typical uses include drawers, cabinets, secure enclosures, retail fixtures, vending equipment, medical carts and storage, utility boxes
- Cam motion operation — 90 degree, Clockwise or Counterclockwise, Locked Position at 3, 6, 9, or 12 o'clock
- Key motion operation — 90 degree captive (KR), 360 degree non-captive (NKR)

Finishes:

US26D (626)

Standard Kit Includes:

- Sub-assembled cam lock (Plug, Shell, Retainer)
- 90° Stop
- Straight cam
- Offset cam
- 360° Drive Plate (NKR)
- 90° Drive Plate (KR)
- Drive pin
- 2 Plate screws
- Hex nut
- Double D Mounting Washer
- 1/4" spacer

Available Spacers:

1/16", 1/8", 3/16", 1/4" (included in kit), 5/16", 3/8", 7/16"

How To Order:

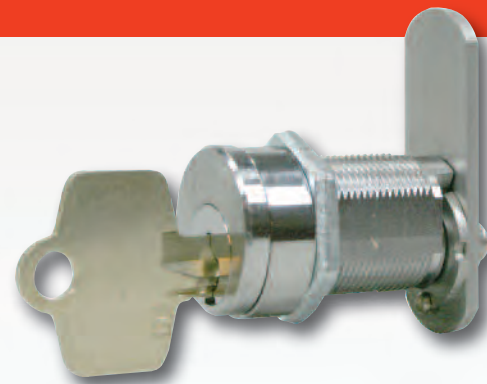
Sub-Assembled Kit – CLK-10-(Specify Keyway).26D.

Assembled Units – CLK-11- (Specify Keyway).26D*.

Example: CLK-10-1D.26D.

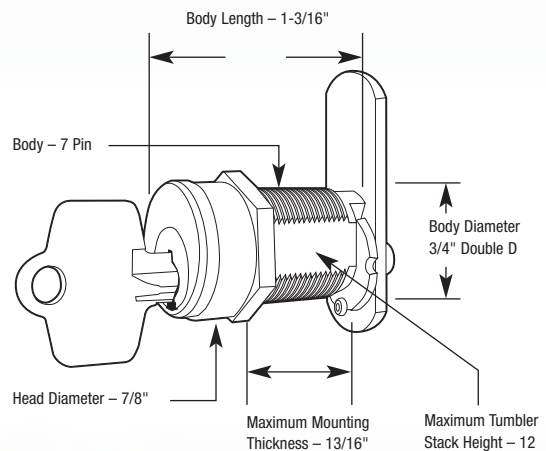
*Standard keying is KD. KA keying also available. Factory master-keyed orders are subject to standard keying charges.

When purchasing the cam lock sub assembled, the cap is required and needs to be purchased separately.



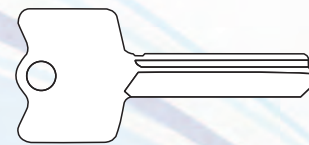
ARROW SFIC KEYWAY CAM LOCK

Model CLK-11 is shown.



Arrow & Competitor Keyways:

1C & 1D Standard keyways or unpublished restricted keyways available — consult factory for availability.



Cylinders & IC Products – Arrow Pointe Sliding Door Core

Classic Product

The Sliding Door Core is an addition to the Arrow Pointe SFIC Pointe product line, the SD series. This core is used to retrofit existing sliding door housings such as the Best® 4S73 and Olympus Lock® 723S sliding door cylinder housing.

This style core is used in conjunction with housings designed to work in display cabinets and storage areas using sliding door panels to secure valuables behind class panels and doors made of other building materials.

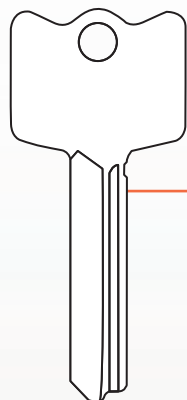
Our precision engineering design, keying capability and availability make Arrow Pointe interchangeable cores our most specified brand for commercial, industrial and institutional applications.



7 PIN
POINTE SLIDING DOOR
INTERCHANGEABLE CORE



Arrow & Competitor Keyways:



Features:

- Reinforced Sleeve Design
- Barrell Cap Design
- Solid Brass Construction

Finishes:

US26D & US4 finishes.

Pinning:

7 Pin: SD7100CR x Keyway — Combined & Uncombined.

Arrow Keyways:

1C & 1D Standard keyways or unpublished restricted keyways available — consult factory for availability.

Pointe Key Blanks:

Nickel Silver

CAT NO.	DESCRIPTION
C x Keyway	7 Pin Key Blank
CP x Keyway	7 Pin Key Blank, Plain Bow

Competitive Keyways:

AB, BB, CB, DB, EB, FB, GB, HB, JB, KB, LB, MB, QB, RB, TA, TB, TC, TD, TE, WA, WB, WC, WG, WH, WY

Cylinders & IC Products – Housings

Mortise Cylinder Housings:

- Body-Brass, 1-5/32" diameter
- Furnished-with cam, cylinder collar
- Length-1-1/8" 6 pin only; 1-1/4" 6 or 7 pin

Rim Cylinder Housing:

- Body-Brass, 1-5/32" diameter; 6 or 7 pin tumbler
- Furnished-with backplate, cylinder collar 2 screws, tailpiece

Mortise Cylinder Housing



16CR-16x (Cam)

Tapered Mortise Cylinder Housing



16CRT-16xAR18

Rim Cylinder Housing



16RCR-16

Rear Staked on Cam



16CR-16xAM2

IC Housings:

Mortise Housings

Description (16CR-001 cam supplied unless otherwise specified)		Part No.
6-pin housings, 1-1/8"	Standard	16CR-16X (cam)
	Tapered	16CRT-16XAR18
7-pin housings, 1-1/4"	Standard	16CR-27X (cam)
	Tapered	16CRT-27XAR18

Rim Housings

Cylinders	Part No.
6-pin housing	16CR-16X (cam)
7-pin housing	16CRT-16XAR18



Front Plus Housing
C16CR-27x (Cam)



Rear Plus Housing Screw-on Cam
C16CR-27x001

Plus Housings:

Mortise Housings

Description (001 cam supplied unless otherwise specified)		Part No.
6-pin housings, 1-1/8"	Standard	16CR-16X (cam)
	Tapered	16CRT-16XAR18
7-pin housings, 1-1/4"	Standard	16CR-27X (cam)
	Tapered	16CRT-27XAR18

Rim Housings

Cylinders	Part No.
6-pin housing	C16RCR-16
7-pin housing	C16RCR-27

Spacers:

CAT NO.	DESCRIPTION
16CR-123-1	1/8" Spacer - Blocking Ring
16CR-123-2	1/4" Spacer - Blocking Ring
16CR-123-3	3/8" Spacer - Blocking Ring
16-113A	Cylinder Collar & Spring

1/8" Spacer



16CR-123-1

1/4" Spacer



16CR-123-2

3/8" Spacer



16CR-123-3

Collar & Spring



16-113A

Cylinders & IC Products – Cams and Tailpieces

Cams:

- Staked cams for standard mortise cylinder housing

CAT NO.	FUNCTIONS & APPLICATION
16CR-001	12, 17, 22, 23, 24, 27, 32 I/S, 33, 37
16CR-AM2	11, 13, 15, 16, 19, 20, 21, 31, 32 O/S, 34, 38, 41, 42, 44
16CR-004	N Series, Exit Device, Exit Alarms
16CR-006	Schlage
16CR-AR18	Adams Rite



16CR-001 16CR-AM2 16CR-004 16CR-006 16CR-AR18

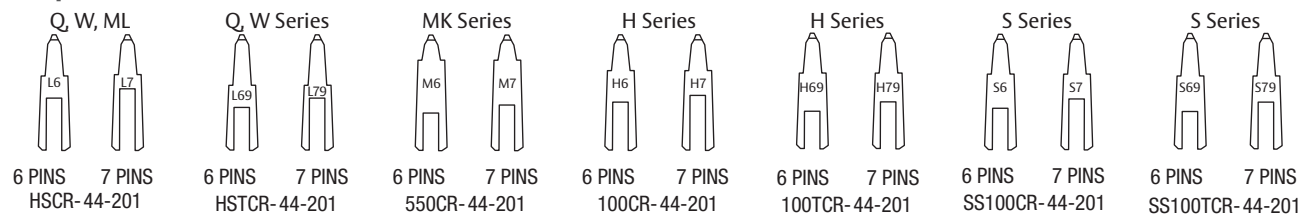
- Screw on cams for Plus IC Housings

CAT NO.	FUNCTIONS & APPLICATION
001	12, 17, 22, 23, 24, 27, 32 I/S, 33, 37
AM2	11, 13, 15, 16, 19, 20, 21, 31, 32 O/S, 34, 38, 41, 42, 44
004	N Series, Exit Device, Exit Alarms
006	Schlage
AR18	Adams Rite



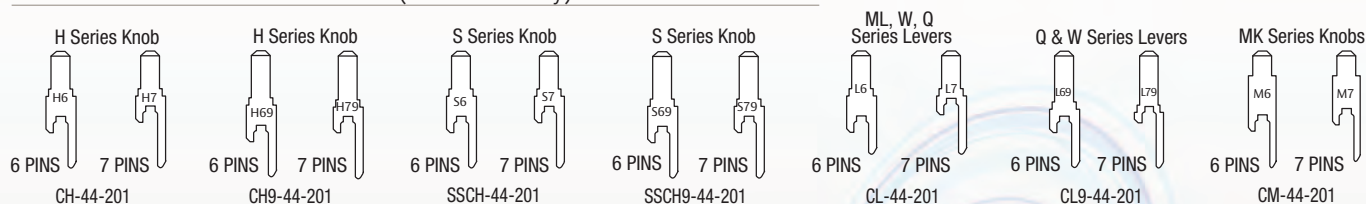
001 AM2 004 006 AR18

Tailpieces:



- For Pointe and Pointe Flex IC Cores.

CAT NO.	DESCRIPTION
HSCR-44-201	Q, W, & ML Series (Except 19 & 15 Functions)
HSTCR-44-201	Q & W Series (19 Function only)
550CR-44-201	MK Series
100CR-44-201	H Series (Except 19 & 15 Functions)
100TCR-44-201	H Series (19 Function only)
HS100CR-44-201	S Series (Except 19 & 15 Functions)
HS100TCR-44-201	S Series (19 Function only)



- Tailpieces for use with Plus IC cores only.

CAT NO.	DESCRIPTION
CH-44-201	H Series Knob - 6, 7 pin (Except 15 & 19 Functions)
CH9-44-201	H Series Knob - 6, 7 pin (19 Function only)
SSCH-44-201	S Series Knob - 6, 7 pin (Except 15 & 19 Functions)
SSCH9-44-201	S Series Knob - 6, 7 pin (19 Function only)
CL-44-201	ML, W, Q, Series levers - 6, 7 pin (Except 19 & 15 Functions)
CL9-44-201	Q & W Series levers - 6, 7 pin (19 & all Overdrive Functions)
CM-44-201	MK Series Knob - 6, 7 pin

Tailpiece is not required for 15 function
All 6 and 7 pin tailpieces sold together as kit

Cylinders & IC Products – Cylinders

Mortise Cylinders:



General Specifications:

Body – Brass, 1-5/32" (29.37mm) diameter. Six pin tumbler cylinder.

Furnished – Standard with cylinder collar.

Length – 1-1/8" (28.57mm), 1-1/4" (31.75mm), 1-1/2" (38mm), 2" (51mm).

Scalp – Brass, Bronze.

Keyway – "A" keyway standard. Arrow sectional keyways available. Consult factory for competitive keyway availability.

Finish:

US3, US4, US10, US10B, US26, US26D.

Cylindrical Lock Cylinders:



General Specifications:

Body – Solid brass pin tumbler 6 chambers. Pinned 5 for Grade 2 Locksets. Pinned 6 for Grade 1 locksets and all hotel locksets.

Keyway – "A" keyway standard. Arrow sectional keyways available. Competitive keyways available.

Finish:

US4, US26D.

Rim Cylinders:



General Specifications:

Body – Brass, 1-5/32" (29.37mm) diameter. Six pin cylinder.

Furnished – With back plate, 2 Screws (2" door max.), tailpiece and cylinder collar.

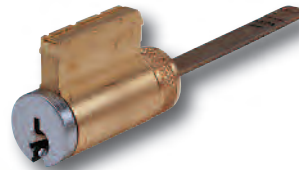
Scalp – Brass, Bronze

Keyway – "A" keyway standard. Arrow sectional keyways available. Consult factory for competitive keyway availability.

Finish:

US3, US4, US10, US10B, US26, US26D.

Deadlock Cylinders:



General Specifications:

Body – Solid brass pin tumbler, 6 chambers for E & D series deadlocks. E series pinned 5. D series pinned 6.

Keyway – "A" keyway standard. Competitive keyways available.

Finish:

US4, US26D.

Product Line	AM/BM	CK	CL	D	E	GL	H	HK	MK	ML
Cylinder	MC61-001 ¹ MC61-AM2 ²	100YC1 ³ 100YC1-750 ⁴	100YC	692C ⁵ 692DC ⁶	96C ⁵ 96DC ⁶ 100 ⁷ 100DC ⁸	600HD-GL	600HD	600HD	100C ³ 100C-750 ⁴	600HD
Product Line	MLX	N	Q	QL	RK	RL	RLX	V1	V2	
Cylinder	600HD	MC61-004	600HD	600HD	100C-RK	600HD	600HD	100C-V1	96C-V2	

1. For mortise functions 12, 17, 22, 23, 24, 27, 32 (i/s), 33, 37
2. For mortise functions 11, 13, 19, 20, 21, 31, 32 (o/s), 34, 38, 40, 41, 42, 44
3. Except for trims with a "B" knob
4. For trims with a "B" knob
5. For single cylinder function
6. For double cylinder function
7. For E41 function
8. For E42 function

ASSA ABLOY, the global leader
in door opening solutions



ASSA ABLOY

AM/BM Series Mortise Locks

Premier Product

Arrow mortise locks are intended for heavy duty use in schools, hospitals and commercial buildings where security, durability and low maintenance are required. They are engineered for strength and performance, and precisely manufactured to exacting standards.

Certification/Compliance:

ANSI

Meets A156.13 Series 1000, Operational Grade 1.

Federal

Meets FF-H-106C, Series 86 and 87.

UL/ULC Positive Pressure

All locks listed for A Label and lesser class doors, 4" (122cm) x 10" (305cm) single or 8" (244cm) x 10" (305cm) pair. Letter F and UL symbol on armored front indicate listing. **California State Reference Code** All levers with returns comply; levers return to within 1/2" (13mm) of door face.



Features:

Handing – Handed; field reversible. The lockset can be re-handed without disassembling the lock case.

Door Thickness – 1-3/4" (4mm) standard.

Backset – 2-3/4" (70mm).

Lockcase – Heavy gauge steel, with zinc dichromate finish for corrosion resistance. 5-7/8" (149mm) x 4" (102mm) x 15/16" (24mm).

Armored Front – Heavy gauge steel, 8" (203 mm) x 1-1/4" (32mm) x 3/32" (2mm). Accommodates flat doors and doors beveled 1/8" (3mm) in 2" (51mm).

Faceplate – Wrought brass, bronze or stainless steel. Attached by machine screws to lockcase front.

Latchbolt – Stainless steel, 2 piece mechanical with anti-friction insert. 5/8" (16mm) x 1" (25mm) x 3/4" (19mm) throw.

Auxiliary Latchbolt – 9/16" (14mm) effective throw and 3/8" (10mm) effective auxiliary latch deadlocking.

Deadbolt – One-piece stainless steel, 19/32" (15mm) x 1 1/4" (32mm) x 1" (25mm) throw.

Hub – Knob: nickel steel, 5/16" (8mm) and 9/32". Lever: nickel steel, 5/16" (8mm).


Spacing – Center to center, hub to cylinder: 3-5/8" (92mm). Center to center, hub to turnpiece 2-7/16" (62 mm).



ADA/Americans with Disabilities Act:

Acceptable Door Hardware: Section 4.13.9

Handles, pulls, latches and other operating devices on accessible doors shall have a shape that is easy to grasp with one hand and does not require grasping, tight pinching or twisting of the wrist to operate. Lever operated mechanisms, push-type mechanisms and "U" shaped handles are acceptable designs.

 Look for the universal symbol next to Arrow products that comply with ADA accessibility requirements.

Strike – Wrought brass, bronze or stainless steel. ANSI straight lip standard, 4-7/8" (124mm) x 1-1/4" (32mm) 1-1/8" (29mm) lip to center. Optional strikes, lip lengths and ANSI wrought strike box available.

Keys – Two nickel silver standard.

Keying Features Available:

- Master keying
- Construction master keying
- Visual key control
- Concealed key control
- Interchangeable core (IC) - Pointe, Choice Base, Plus, and Flex

Warranty – Five-year limited.

Standardized Case – One size case for uniform mortising.

Reversibility – Locks are easily reversed for change of hand.

Self Aligning Trim – Standard with rose trim. Eliminates bind, facilitates installation, gives support and saves labor.

Designs – Broad spectrum of designs including lever handles, knobs for roses and escutcheons in architectural finishes.

Complete Range of Functions – To meet all requirements.

AM/BM Series Mortise Locks

Premier Product

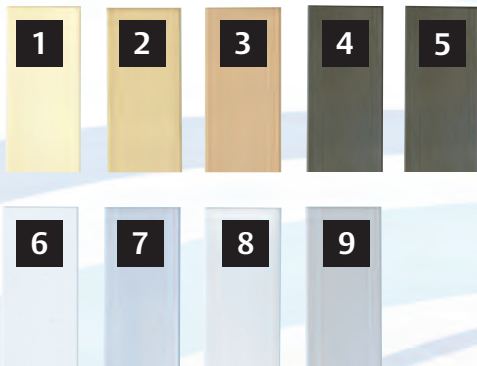


AM Series



BM Series

Finishes:



	BHMA	U.S. Equivalent	Arrow Equivalent	Finish
1	605	US3	03	Bright Brass
2	606	US4	04	Satin Brass
3	612	US10	10	Satin Bronze
4	613	US10B	10B	Dark Oxide Bronze, Oil Rubbed
5	614	US10BL	10BP	Dark Oxide Bronze, Clear Coated
6	625	US26	26	Bright Chromium Plated
7	626	US26D	26D	Satin Chromium Plated
8	629	US32	32	Bright Stainless Steel
9	630	US32D	32D	Satin Stainless Steel

Applications:

Arrow mortise locks are offered in a complete range of functions designed for commercial, institutional and industrial applications. They are engineered for strength and performance, and precisely manufactured to exacting standards.

A wide selection of trim designs and functions are offered which meet or exceed the performance requirements of ANSI Grade 1.

Arrow mortise locks can be found in the following types of facilities:

- Schools
- Office Buildings
- Facilities
- Multi-Family Housing
- Hospitals
- Government



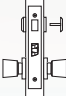
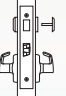


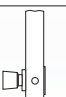
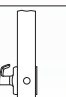
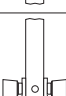
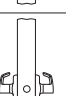


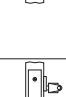
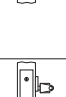
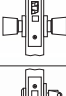
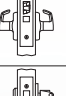
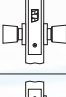
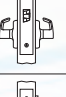
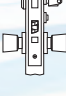

Advantages:

- Easily reversible, enabling the user to reverse hands without disassembling lock case.
- Meets or exceeds ANSI operational Grade 1 requirements.
- Throughbolted trim designs for proper alignment and increased security.
- Many trim designs to complement Arrow cylindrical locks and exit device trims.
- Keyed into new or existing Arrow or competitive master key systems.

* Note: Not all trim designs available in all finishes.

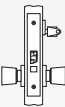
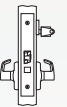
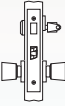
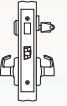
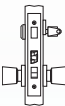
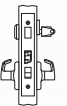
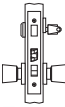

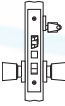
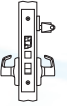
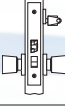
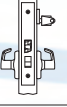
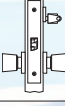

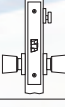
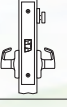
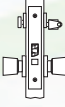
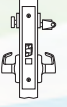
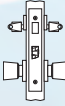
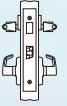
AM/BM Series Mortise Locks

Premier Product

ARROW	FUNCTION	ANSI/ FEDERAL #	AM SERIES	BM SERIES	DESCRIPTION
01	Passage	F01/86N			Latchbolt by knob/lever either side
02	Privacy	F19/86L			Latchbolt by knob/lever either side, except when outside is locked by turnpiece inside. Outside emergency release or operating from inside unlocks lock. Inside knob/lever retracts both bolts.
07	Exit				Latchbolt by knob/lever inside. Auxiliary latchbolt deadlocks latchbolt. No outside trim.
08	Single Dummy Trim				Rigid knob/lever one side of door only. Plug through edge of door ensures stability.
09	Double Dummy Trim				Rigid knob/lever both sides of door. Plug through edge of door ensures stability.
11	Apartment/Front Door	F12/86F			Latchbolt by knob/lever either side except when outside knob/lever is locked by stopworks in lock front, or when the deadbolt is projected. Deadbolt operates by key outside and turnpiece inside. Turning inside knob/lever will retract latchbolt and deadbolt simultaneously.
12	Storeroom	F07/86EW			Outside knob/lever always rigid. Latchbolt retracted only by key outside or by inside knob/lever. Auxiliary latchbolt deadlocks latchbolt.
13	Apartment/Front Door	F21/86B			Latchbolt operated by knob/lever either side. Deadbolt operated by key outside and turnpiece inside. When deadbolt is projected, key outside will retract deadbolt, then latchbolt.
15	Hotel	F15/86H			Inside knob/lever always free, while outside knob/lever is always rigid. Latchbolt operated by knob/lever inside and by key outside. All keys except emergency keys are shut out when deadbolt is projected by turnpiece inside. Turning inside knob/lever will retract both the deadbolt and the latchbolt simultaneously. Auxiliary latchbolt deadlocks latchbolt. Furnished with visual indicator button.
16	Hotel	F15/86H			Inside knob/lever always free, while outside knob/lever is always rigid. Latchbolt operated by knob/lever inside and by key outside. All keys except emergency keys are shut out when deadbolt is projected by turnpiece inside. Turning inside knob/lever will retract both the deadbolt and the latchbolt simultaneously. Auxiliary latchbolt deadlocks latchbolt.

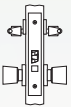
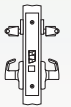
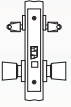
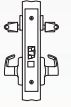
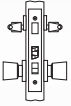
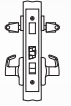
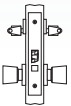
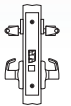

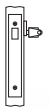

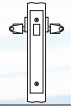

AM/BM Series Mortise Locks

Premier Product

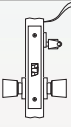
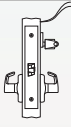
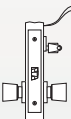
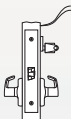
ARROW	FUNCTION	ANSI/ FEDERAL #	AM SERIES	BM SERIES	DESCRIPTION
17	Classroom	F05/86J			Latchbolt operated by knob/lever either side, except when outside knob/lever is locked by key outside. Key operates latch or unlocks outside knob/lever. Inside knob/lever is always free. Auxiliary latchbolt deadlocks latchbolt.
19	Dormitory/Exit	F13/86FW			Latchbolt operated by knob/lever either side. When outside knob/lever is locked by projected deadbolt, (by inside turnpiece or outside key) key outside will retract deadbolt, then latchbolt. Turning inside knob/lever will retract latchbolt and deadbolt simultaneously, which will unlock outside knob/lever. When deadbolt is projected, the latchbolt is deadlocked.
20	Entrance/ Dormitory	F20			Latchbolt operated by knob/lever either side, except when outside knob/lever is locked by stopworks in lock front, or by projecting deadbolt by turnpiece inside or key outside. Turning inside knob/lever will retract latchbolt and deadbolt simultaneously. Deadbolt operated by turnpiece inside or key outside. When deadbolt is projected the latchbolt is deadlocked. Auxiliary latchbolt deadlocks latchbolt.
21	Front Door	F08,F10/86A			Latchbolt operated by knob/lever either side except when outside knob/lever is locked by stopworks in lock front. Deadbolt is operated by turnpiece inside. Key outside operates both bolts.
22	Office	F04/86E			Latchbolt operated by knob/lever either side except when outside knob/lever is locked by stopworks in lock front then operated by key outside. Auxiliary latchbolt deadlocks latchbolt.
23	Vestibule				Latchbolt operated by knob/lever either side, except when outside knob/lever is locked by stopworks in lock front, then operated by key outside.
24	Storeroom				Latchbolt operated by knob/lever inside and by key outside. Outside knob/lever always rigid. Inside knob/lever always free.
26	Privacy	F22/86L			Latchbolt by knob/lever either side, except when outside is locked by turnpiece inside. Operating inside knob/lever, closing door, or with outside emergency release unlocks outside.
27	Institutional				Latchbolt by knob/lever either side, except when Privacy outside is locked by turnpiece inside. Operating inside knob/lever or closing door unlocks outside. Key outside retracts latch at all times, even if thumbturn is held in locked position. Auxiliary latch deadlocks latchbolt.
31	Storeroom	F14/86C			Latchbolt operated by knob/lever either side. Deadbolt is operated by key from either side. When deadbolt is projected, key either side will retract deadbolt, then latchbolt.

AM/BM Series Mortise Locks

Premier Product

ARROW	FUNCTION	ANSI/ FEDERAL #	AM SERIES	BM SERIES	DESCRIPTION
32	Vestibule	F09/86G			Latchbolt operated by knob/lever either side, except when outside knob/lever is locked by key from the inside cylinder. When outside knob/lever is locked, latchbolt is retracted by key outside or by knob/lever inside. Auxiliary latchbolt deadlocks latchbolt.
33	Storeroom	F30			Both knobs/levers rigid at all times. Auxiliary latchbolt deadlocks latchbolt. Latchbolt operated only by key from either side.
34	Storeroom	F35			Latchbolt operated by knob/lever either side except when the outside knob/lever is locked by stop works in lock front then operated by key outside or by knob/lever inside. Deadbolt operated by key from either side.
37	Classroom	F32			Latchbolt by knob/lever either side. Except when outside is locked from inside or outside by key. When outside is locked, latchbolt is retracted by key from inside or outside or by operating inside knob/lever. Auxiliary latch deadlocks latchbolt.
38	Classroom				Latchbolt by lever from either side unless outside lever is locked by projection of deadbolt. Deadbolt thrown by key from either side. Inside lever simultaneously retracts latchbolt and deadbolt, outside lever remains locked. Retracting latchbolt by key unlocks outside lever. Auxiliary latch deadlocks latchbolt.
40	Deadlock	F18/86S			Deadbolt operated only by key outside. (No trim)
41	Deadlock	F17/86P			Deadbolt operated by key outside and turnpiece inside. (No trim)
42	Deadlock	F16/86T			Deadbolt operated by key from either side. (No trim)
44	Classroom Deadlock				Deadbolt by key outside. Turnpiece will retract but will not project bolt.

Electrical Lock Functions:

AM17/BM17 SUFFIX	VOLTAGE	CURRENT			DESCRIPTION
177 179	12V AC/DC 24V AC/DC	612mA 330mA			FAIL SAFE: Power on locks outside lever. Inside lever always free. Latch retracted by key when locked electrically.
181 183	12V AC/DC 24V AC/DC	612mA 330mA			FAIL SECURE: Power off locks outside lever. Inside lever always free. Latch retracted by key when locked electrically.

AM/BM Series Mortise Locks

Premier Product

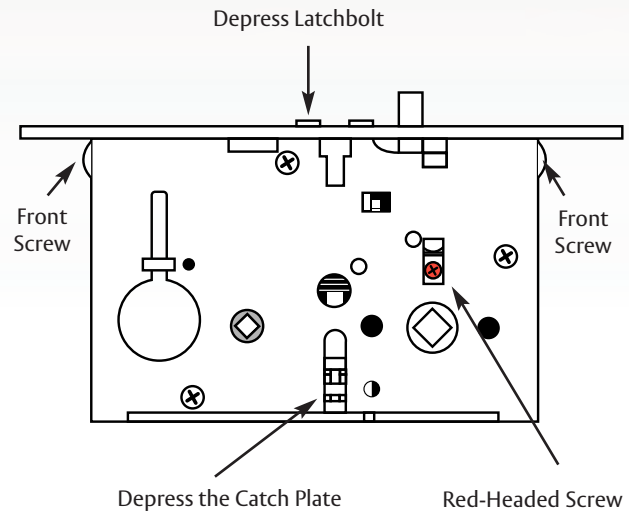
Reversing Hand:

Mortise Locksets AM/BM Series

Please read completely before proceeding and review the drawing below.

Minimal force is required to reverse handing.

1. Remove the armored front.
2. Remove the lockset from the door.
3. Fully depress the latchbolt and hold in the depressed position.
4. With minimal force, depress the catch plate, located at the end of the latchtail, through the oblong cutout in the lockcase cap. While depressing the catch plate, release the latchbolt and remove latch from the lock.
5. Turn the latchbolt over and reinstall into the lock.
6. Depress the latchbolt until it re-engages the tail socket.
7. Remove the red headed screw from the stopworks and place it in the stopworks on the opposite side of the case.
8. Loosen the front screw to change the bevel. Tighten the front screws.
9. Reinstall the lock and armored front into the door.
10. If changing bevel only, i.e. RH to RHR. Omit step 7.



AM/BM Series Mortise Locks – AM Series Knob Designs

Premier Product

HBHD
Knob: HB
Rose: HD
 Heavy Wrought Brass,
 Bronze or Stainless Steel

Technical drawing dimensions:
 Knob diameter: 2 9/16" (65.08 mm)
 Rose diameter: 3 1/8" (79.37 mm)
 Knob height: 2 1/4" (57.15 mm)

HBHA
Knob: HB
Rose: HA
 Heavy Wrought Brass,
 Bronze or Stainless Steel
 Also Available with **HB** Rose

Technical drawing dimensions:
 Knob diameter: 2 9/16" (65.08 mm)
 Rose diameter: 2 9/16" (65.08 mm)
 Knob height: 2 1/4" (57.15 mm)

HBG
Knob: HB
Rose: G
 Wrought Brass, Bronze or Stainless Steel

Technical drawing dimensions:
 Knob diameter: 2 9/16" (65.08 mm)
 Rose diameter: 2 1/4" (57.15 mm)
 Knob height: 2 5/8" (66.67 mm)
 Escutcheon height: 7 1/2" (190.5 mm)
 Escutcheon width: 2 1/4" (57.15 mm)

HBH
Knob: HB
Escutcheon: H
 Heavy Wrought Knob
 Wrought Escutcheon
 Brass, Bronze or Stainless Steel

Technical drawing dimensions:
 Knob diameter: 2 9/16" (65.08 mm)
 Escutcheon height: 8" (203.2 mm)
 Knob height: 2 1/4" (57.15 mm)
 Escutcheon width: 2 1/4" (57.15 mm)

HTHA
Knob: HT
Rose: HA
 Heavy Wrought Brass or Bronze

Technical drawing dimensions:
 Knob diameter: 2 9/16" (65.08 mm)
 Rose diameter: 3" (76.2 mm)
 Knob height: 2 1/4" (57.15 mm)

HTHD
Knob: HT
Rose: HD
 Heavy Wrought Brass,
 Bronze or Stainless Steel

Technical drawing dimensions:
 Knob diameter: 2 9/16" (65.08 mm)
 Rose diameter: 3" (76.2 mm)
 Knob height: 2 1/4" (57.15 mm)

HTHB
Knob: HT
Rose: HB
 Heavy Wrought Brass,
 Bronze or Stainless Steel

Technical drawing dimensions:
 Knob diameter: 3 1/4" (82.55 mm)
 Rose diameter: 3" (76.2 mm)
 Knob height: 2 1/4" (57.15 mm)

HTG
Knob: HT
Escutcheon: G
 Wrought Escutcheon
 Brass, Bronze or Stainless Steel

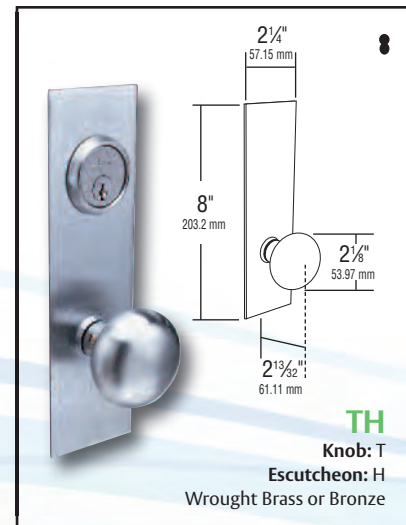
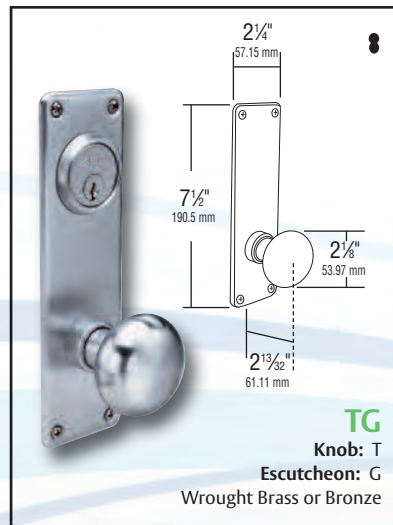
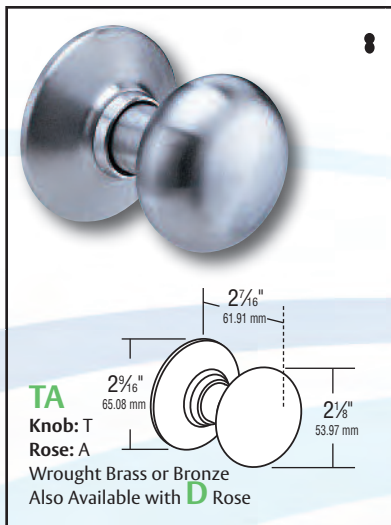
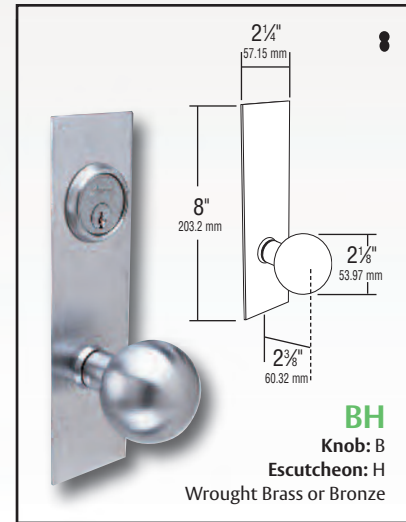
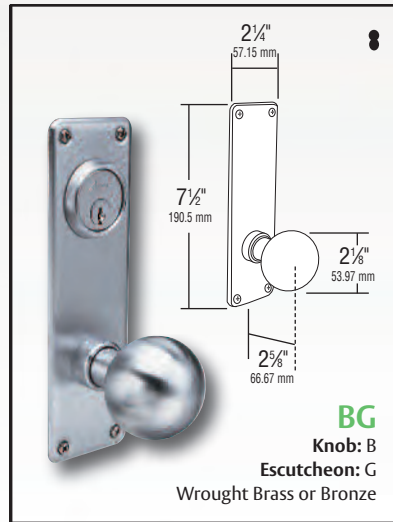
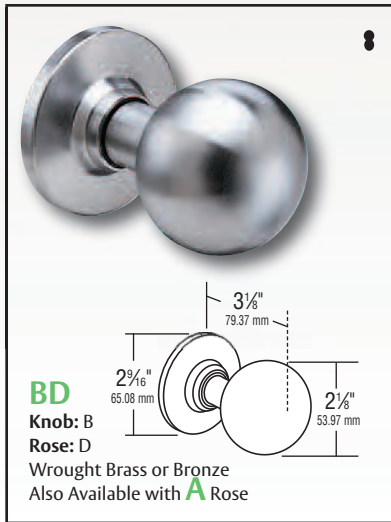
Technical drawing dimensions:
 Knob diameter: 2 9/16" (65.08 mm)
 Escutcheon height: 7 1/2" (190.5 mm)
 Knob height: 2 1/4" (57.15 mm)
 Escutcheon width: 2 1/8" (53.15 mm)

HTH
Knob: HT
Escutcheon: H
 Heavy Wrought Knob
 Wrought Escutcheon
 Brass, Bronze or Stainless Steel

Technical drawing dimensions:
 Knob diameter: 2 9/16" (65.08 mm)
 Escutcheon height: 8" (203.2 mm)
 Knob height: 2 1/8" (53.15 mm)
 Escutcheon width: 2 1/8" (53.15 mm)

AM/BM Series Mortise Locks – AM Series Knob Designs

Premier Product



AM/BM Series Mortise Locks – BM Series Lever Designs

Premier Product

Broadway:

BRL
Lever: BR - Cast
Rose: L - Wrought Brass, Bronze or Stainless Steel

BRG
Lever: BR - Brass or Bronze
Escutcheon: G - Brass or Bronze or Stainless Steel

BRH
Lever: BR - Cast
Escutcheon: H - Wrought Brass, Bronze or Stainless Steel

Hastings:

HSL
Lever: HS - Cast
Rose: L - Brass, Bronze or Stainless Steel

HSG
Lever: HS - Cast
Escutcheon: G - Wrought Brass, Bronze or Stainless Steel

HSH
Lever: HS - Cast
Escutcheon: H - Wrought Brass, Bronze or Stainless Steel

Javelin:

JL
Lever: J - Forged Brass or Cast Bronze
Rose: L - Wrought Brass or Bronze

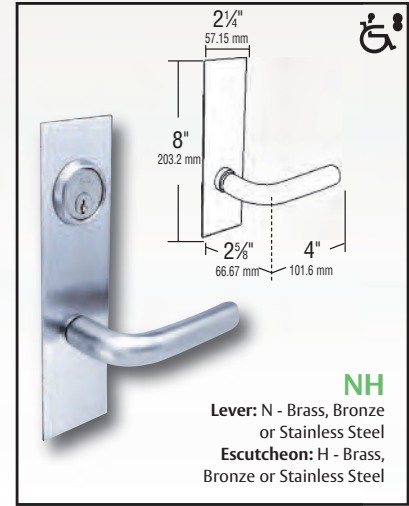
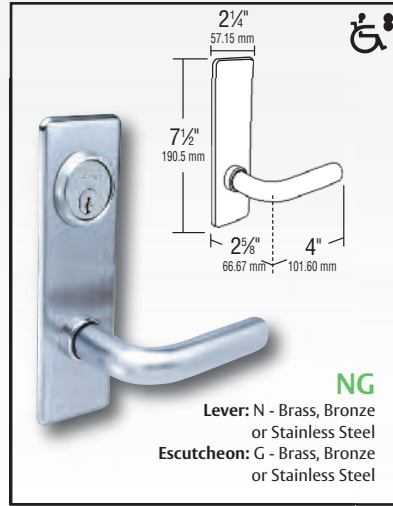
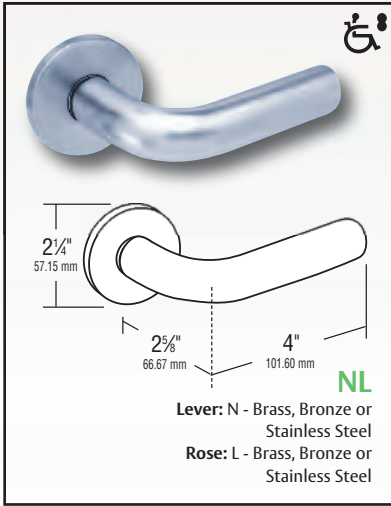
JG
Lever: J - Forged Brass or Cast Bronze
Escutcheon: G - Wrought Brass, Bronze or Stainless Steel

JH
Lever: J - Forged Brass or Cast Bronze
Escutcheon: H - Wrought Brass, Bronze or Stainless Steel

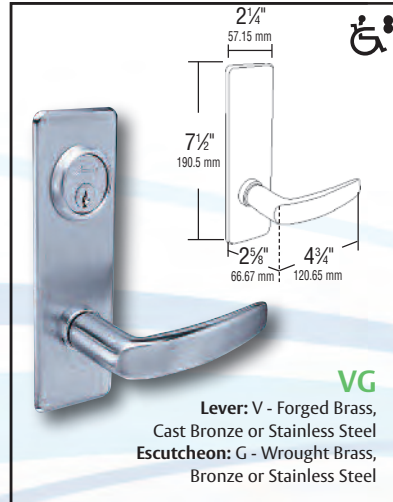
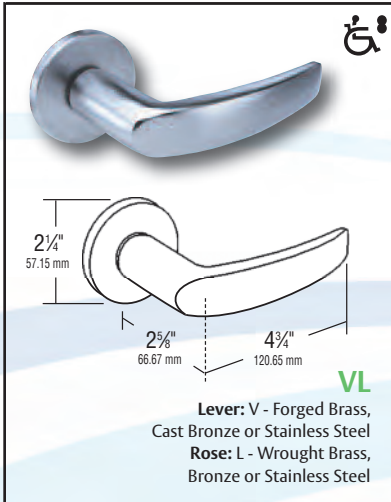
AM/BM Series Mortise Locks – BM Series Lever Designs

Premier Product

Neo:



Ventura:



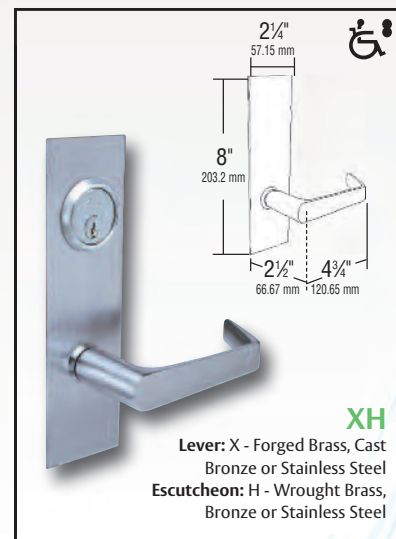
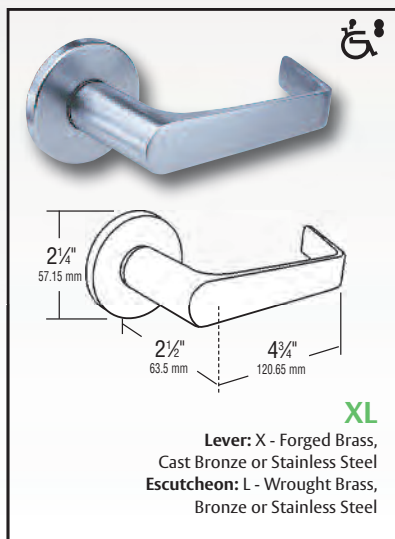
Wave:



AM/BM Series Mortise Locks – BM Series Lever Designs

Premier Product

Xavier:










Strikes:

ANSI Straight Lip (standard)

- Brass or bronze
- Non-handed
- 4-7/8" (124mm) x 1-1/4" (32mm) x 1-1/8" (29mm) lip to center
- Optional lip lengths: 7/8" (22mm), 1-1/4" (32mm), 1-3/8" (35mm), 1-1/2" (38mm), 1-3/4" (44mm), 2" (51mm), 2-1/4" (57mm), 2-1/2" (64mm), 2-3/4" (70mm), 3" (76mm)

ANSI Curved Lip

- Brass or bronze
- Handed
- 4-7/8" (124mm) x 1-1/4" (32mm) x 1-1/4" (32mm) lip to center
- Optional lip lengths: 1-3/8" (35mm), 1-1/2" (38mm), 1-3/4" (44mm), 2" (51mm), 2-1/4" (57mm), 2-1/2" (64mm), 2-3/4" (70mm), 3" (76mm)

		PART NO.	DESCRIPTION
Latchbolt x Deadbolt Functions: 02,11,13,15,16, 19,20,21,31,34,38		460	Straight Lip
		468	Curved Lip for RH
		466	Curved Lip for LH
Latchbolt Only Functions: 01,07,12,17,22,23, 24,26,27,32,33,37		463	Straight Lip
		464	Curved Lip for RH
		462	Curved Lip for LH
Deadbolt Only Functions: 40,41,42,44		456	Straight Lip

Note: Straight lip strikes are standard.
Specify if curved lip strike is required.

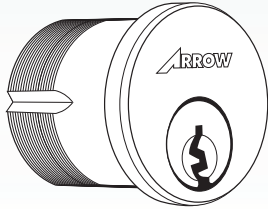
AM/BM Series Mortise Locks

Premier Product

Cylinder:

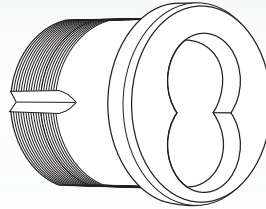
Cylinder

- MC61 - 1-1/8" for 1-3/4" door. Collar-16-113A
- Hotel Cylinder
For function 15 and 16.
MCH61 - 1-18" for 1-3/4" door. Collar-16-113A
- Finishes - 3, 4, 10, 10B, 26, 26D.



Cylinder for Interchangeable Core

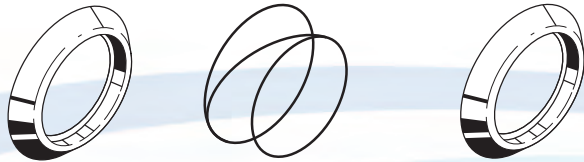
- 16CR-16 - 6 pin-1-1/8"
- 16CR-27 - 6 or 7 pin 1-1/4"
- 16CRH-26 - 6 pin, hotel
- Collar - 16-113A
- Finishes - 3, 4, 10, 10B, 26, 26D



Cylinder Collars:

I.C. Mortise Cylinder Collar 16-113A
(Standard for 16CR-14, 16CR-26, 16CRH-26)

I.C. Rim Cylinder Collar 16RC-113
(Standard for 16RCR-16, 16RCR-27)

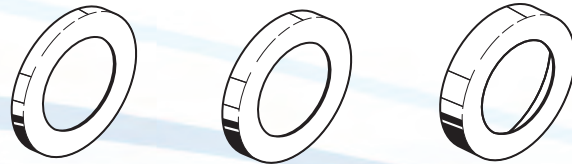


Spacer Rings:

16CR-123-1
1/8" Thick

16CR-123-2
1/4" Thick

16CR-123-3
(Standard for 16RCH-26)
3/8" Thick



Thumb Turn 16-17A:

- Furnished with rose trim. For escutcheon trim, thumb turn is mounted on escutcheon.
- Finishes - 3, 4, 10, 10B, 26, 26D.



Cams:

001



Used with functions
12, 17, 22, 23, 24, 27,
32 (I/S), 33, 37.

AM2



Used with deadbolt functions
11, 13, 15, 16, 19, 20, 21, 31, 32
(O/S), 34, 38, 40, 41, 42, 44.

AM/BM Series Mortise Locks

Premier Product

Face Plates (Scalps):

Part No.
AM-15-305



Function
15, 16, 38

Part No.
AM11-305



Function
11, 21, 34

Part No.
AM12-305



Function
07, 12, 17
27, 32, 33, 37

Part No.
AM02-305



Function
02, 13, 19, 31

Part No.
AM22-305



Function
22

Part No.
AM23-305



Function
23

Part No.
AM41-305



Function
40, 41, 42, 44

Part No.
AM01-305



Function
01, 24, 26

Part No.
AM20-305



Function
20

Spindles:



Knob Spindle

AM 385A—For trim with “H” escutcheon

AM 386A—For trim with “G” escutcheon and all rose trim

NOTE: AM 385A—Inside half-P/N-16-385
Outside half-P/N-BM-383

AM 386A—Inside half-P/N-16-385
Outside half-P/N-BM-383-2



Lever Spindle

BM 385A—For trim with “H” escutcheon and rose trim

BM 386A—For trim with “G” escutcheon

NOTE: BM 385A—Inside half (assembly with screw) 17S-384A
Outside half-BM-383

BM 386A—Inside half (assembly with screw) 17S-385A
Outside half-BM-383-2

AM/BM Series Mortise Locks

Premier Product

Suggested Specification AM/BM:

All locksets shall be Mortise Locksets as supplied by Arrow Lock company.

Locks shall have all functions available in one size case, manufactured from heavy gauge steel, minimum thickness 3/32", chrome plated for corrosion resistance and lubricity of parts. The handing of all locks shall be reversible without the disassembly of the lockcase. Cases are to be closed on all sides to protect internal parts. Locks are to have adjustable, beveled and armored fronts, standard 2-3/4" backset, a full 3/4" throw two-piece mechanical anti-friction latchbolt, and a one-piece stainless steel 1" throw deadbolt, and shall be available for a minimum door thickness of 1-3/8". Internal parts shall be heavy gauge steel, zinc dichromate plated for corrosion resistance.

All locksets with latchbolts, regardless of trim, shall be listed by Underwriters Laboratories for A label and lesser class doors, 4' x 10' single or 8' x 10' pair. Cylinder options shall include interchangeable core.

Lock trim (knob, lever, sectional or escutcheon) shall be throughbolted through the lockcase to assure correct alignment and proper operation.

Certification:

UBC-7(1997) and UL10C-Positive Pressure
Federal Specification FF0H-106G
ANSI A156.13 Series 1000, Operational Grade 1
ANSI A117.1, Accessibility Code, 1989 (Formerly Tile 19, California State Fire Marshal Standard) (lever handle trim).

All locks, trim, and cylinders shall be from one manufacturer.

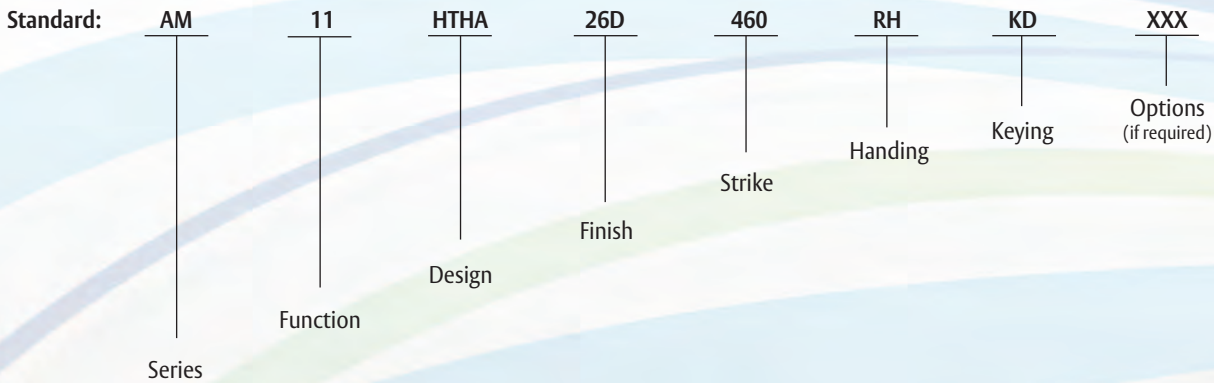
All locksets shall carry a five-year limited warranty.



Order Example:

Example: To order a AM Series Apartment function Mortise lock with HTHA design, satin chrome finish, with a straight lip strike, right handed, keyed different.

Specify:



QL Series Cylindrical Lever Locks

Premier Product



Features:

Door Preparation – Requires standard 2-1/8" (53.97mm) bore through door.

Backset – 2-3/4" (69.85mm)

Door Thickness – Fits 1-3/8" (34.93mm) to 1-3/4" (44.45mm) doors standard.

Latch – Stainless Steel 1/2" (12.7mm) throw, UL Listed, guarded latchbolt on all locking functions

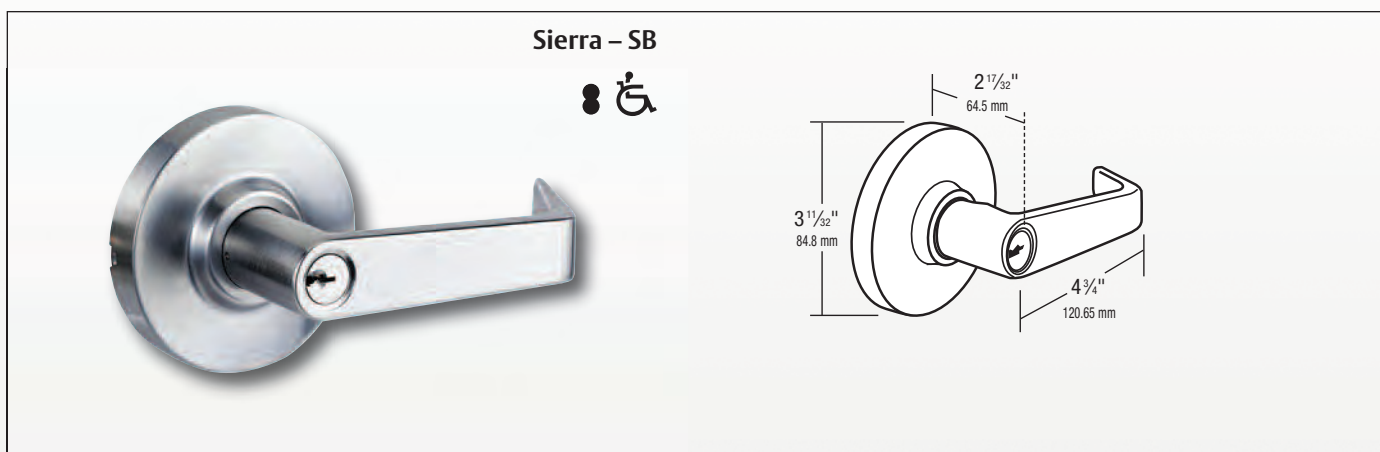
Latch Front – 1-1/8" x 2-1/4" for 2-3/4" (69.85mm) backset.

Exposed Trim – QL Levers are pressure cast zinc measuring 4-3/4" (120.65mm) in length. QL Roses are wrought brass 3-11/32" (84.8mm) diameter. Total projection from face of door is 2-17/32" (64.5mm).

Finishes:

	BHMA	U.S. Equiv.	Arrow Equiv.	Finish
1	605	US3	03	Bright Brass
2	614	US10BL	10BP	Dark Oxide Bronze, Clear Coated
5	626	US26D	26D	Satin Chromium Plated

Design:



The QL Series is a robust Grade 1 lockset featuring a Freewheeling Lever for abuse resistance, two screw lockset install for quick installation and a 10 Year Mechanical Warranty. The perfect solution for replacing or upgrading locksets in commercial applications.

Freewheeling Lever

Warranty – Ten Year Warranty

Handing – Non-handed

Packaging – 6 per case

Strike – 4-7/8" ANSI (123.83mm)

Cylinder – Solid brass 6 pin, Arrow AR and Schlage CS Keyway, keyed different

Keys – 2 brass keys



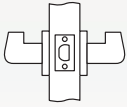
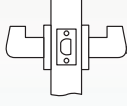

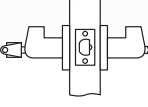
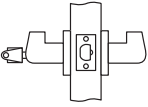
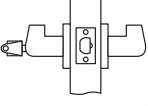
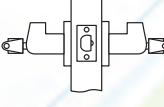
Certification & Compliance:

- Arrow QL Series Cylindrical Lever Locks are BHMA Grade 1 Certified, ANSI/BHMA A156.2, Series 4000
- All Arrow QL Series Locks are U.L. and c.U.L. list for use on 3 hour, A label or lesser doors
- Meets American with Disabilities Act Requirements

QL Series Cylindrical Lever Locks

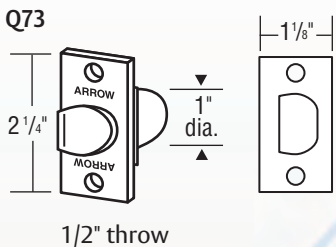
Premier Product

Functions:

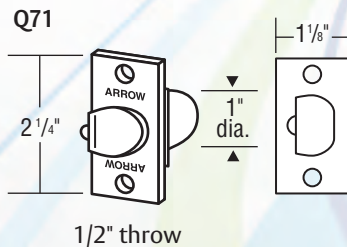
ARROW STANDARD	FUNCTION		DESCRIPTION
QL01	Passage		Latchbolt operated by lever either side.
QL72	Privacy		Latchbolt operated by lever either side except when inside turnbutton locks outside. Unlocked by rotating button or by using tool outside.
QL08	1/2 Dummy Trim		Rigid trim for one side of door only. Used as pull or to match active trim.
QL81	Entrance		Latchbolt operated by lever either side except when outside lever is locked by turn-button inside. When outside lever is locked, latchbolt operated by key outside or turning inside lever. Inside button must be manually released.
QL82	Storeroom		Outside lever always locked. Latchbolt operated by key in outside lever, or by turning inside lever.
QL87	Classroom		Latchbolt operated by lever either side except when key outside locks outside lever. Inside lever always free. Key outside locks/unlocks outside lever only.
QL97	Intruder Classroom		Deadlocking latch bolt operated by lever from either side. Key either inside or outside locks or unlocks outside lever. Inside lever always operates latchbolt.

Latches & Strikes:

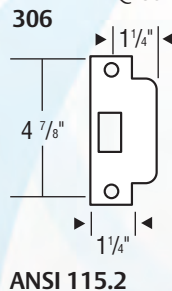
Spring Latches 2-3/4" Backset



Dead Latches 2-3/4" Backset

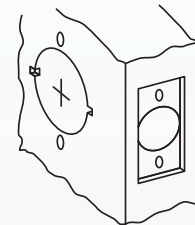


Strikes Standard with QL Series



Installation:

161 prep for retrofit and secure installation.



Order Example:

Example: To order a QL Series entry function lockset with a Sierra design lever, satin stainless steel finish, with an Q71 strike, and 2-3/4" deadlocking latch, keyed different:

Specify:

Standard:	QL	81	SB	26D	306	Q71	KD	XXX
	Series	Function	Design	Finish	Strike	Latch	Keying	Options (if required)

QL Series Electro-Mechanical Cylindrical Lever Locks

Premier Product



Features:

Door Preparation – Requires standard 2-1/8" (53.97mm) bore through door.

Backset – 2-3/4" (69.85mm)

Door Thickness – Fits 1-3/8" (34.93mm) to 1-3/4" (44.45mm) doors standard.

Latch – Stainless Steel 1/2" (12.7mm) throw, UL Listed, guarded latchbolt on all locking functions

Latch Front – 1-1/8" x 2-1/4" for 2-3/4" (69.85mm) backset.

Exposed Trim – QL Levers are pressure cast zinc measuring 4-3/4" (120.65mm) in length. QL Roses are wrought brass 3-11/32" (84.8mm) diameter. Total projection from face of door is 2-17/32" (64.5mm).

Finishes:

BHMA	U.S. Equiv.	Arrow Equiv.	Finish
626	US26D	26D	Satin Chromium Plated

Design:

Sierra – SB



Electrical Lock Functions:

FUNCTION	VOLTAGE	CURRENT	RESISTANCE
QLE1	12V AC/DC	375mA	32 ohms
QLE2	24V AC/DC	150mA	160 ohms
QLE3	12V AC/DC	375mA	32 ohms
QLE4	24V AC/DC	150mA	160 ohms

Arrow electro-mechanical locksets can be integrated into life safety or security systems. Fail safe or fail secure options offer flexibility for most any application while meeting U.L. requirements for fire labeled doors.

Cylinder Options – ARKD (solid brass 6-pin cylinder, Arrow A keyway, keyed different), CSKD (solid brass 6-pin cylinder, Schlage C keyway, keyed different), IC (small format IC prep less core), SIC (Schlage large format IC prep less core).

Freewheeling Lever

Warranty – Three Year Warranty

Handing – Non-handed

Packaging – 6 per case

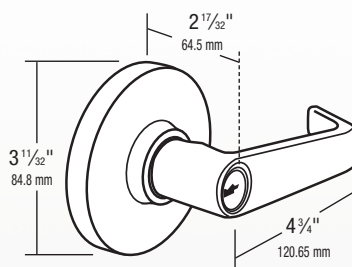
Strike – 4-7/8" ANSI (123.83mm)

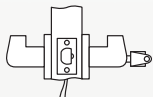
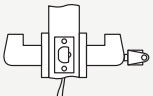
Keys – 2 nickel plated brass keys



Certification & Compliance:

- Arrow QL Series Cylindrical Lever Locks are BHMA Grade 1 Certified, ANSI/BHMA A156.2, Series 4000
- All Arrow QL Series Locks are U.L. and c.U.L. list for use on 3 hour, A label or lesser doors
- Meets American with Disabilities Act Requirements



DESCRIPTION
 <p>FAIL SAFE: Power on locks outside lever. Inside lever always free. Latch retracted by key when locked electrically.</p>
 <p>FAIL SECURE: Power off locks outside lever. Inside lever always free. Latch retracted by key when locked electrically.</p>

How to Order:

Function & Trim	QLE1-SB
Finish	QLE1-SB-26D
Strike	QLE1-SB-26D-306
Latch	QLE1-SB-26D-306-Q71
Keying	QLE1-SB-26D-306-Q71-ARKD

GL Series Cylindrical Lever Locks

Premier Product

Arrow GL Series Grade 1 heavy duty levers offer an economically pleasing solution for ADA compliance. The GL solution is designed with the installer in mind, providing fewer subcomponents to allow for an easier to install system. Simply put, the GL Series will be your number one choice when economy is your first priority.



Certification:



All Arrow GL Series locks are UL/cUL listed for use on 3 hour, A label or lesser doors and are certified to conform to the requirements of ANSI/BHMA A156.2, Series 4000, Grade 1.

- Federal Specification FF-H-106C
- ANSI A117.1 Accessibility Code
- California State Reference Code for levers returning to within 1/2" (12.7mm) of door surface



Features:

Housing – Interlocking lever tubes are made from dichromate plated steel. The tubes are attached to the rose insert. This offers fantastic support for a ridged feel without excess movement. Standard bearing sleeves used on most other Arrow lever series are not used on the GL.

Requires standard 2-1/8" (53.97mm) bore through door.

Thru-Bolts – Removable thru-bolts standard on GL Series



OverDrive™ will allow a locked lever to rotate freely without retracting the latch, improving the life and performance of Arrow locksets.

OverDrive™ – Freewheeling lever action occurs when latch retraction mechanism disengages from lever handle when handle is locked. Built-in stops in the rose insert prevent lever from traveling beyond approximately 70 degrees.

Backset – 2-3/4" (69.85mm) standard. See price book for alternate backsets.

Latch – Stainless Steel with 1/2" (12.7mm) throw standard. Latch housing is steel, zinc dichromate finish for corrosion resistance. 1" (25.4mm) bore in edge of door is required.

Latch Front – Brass and stainless steel. 2-1/4" (57.15mm) x 1-1/8" (28.57mm), 1/8" (3.175mm) in 2" (50.8mm).

ADA/Americans with Disabilities Act:

Acceptable Door Hardware: Section 4.13.9

Handles, pulls, latches and other operating devices on accessible doors shall have a shape that is easy to grasp with one hand and does not require grasping, tight pinching or twisting of the wrist to operate. Lever operated mechanisms, push-type mechanisms and "U" shaped handles are acceptable designs.



Look for the universal symbol next to Arrow products that comply with ADA accessibility requirements.

Exposed Trim – Levers are pressure cast zinc. Streamline rose scalp of brass or bronze complements other series of lever locks.

Rose Inserts – Contain coil spring which is a permanent assembly within rose insert. Inside and outside rose scalps are retained by dimples that create an interference fit with the rose inserts.

There are no special retention features added to the rose insert that align the scalp.

Strikes – Brass and stainless steel. ANSI A115.2, 4-7/8" (123.82mm) x 1-1/4" (31.75mm) curved lip strike standard.

Door Thickness – 1-3/8" (34.92mm) to 2" (50.8mm).

Handing – Non-handed. Levers operate bi-directionally.

Finishes – US3, US10B, US26D.

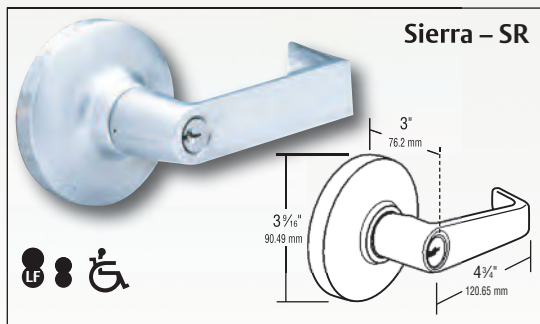
Packaging – 1 per box, 10 per case.

Warranty – Limited five year warranty.

GL Series Cylindrical Lever Locks

Premier Product

Design:



Finishes:



	BHMA	U.S. Equiv.	Arrow Equiv.	Finish
1	605	US3	03	Bright Brass
2	613	US10B	10B	Dark Oxide Bronze, Oil Rubbed
3	626	US26D	26D	Satin Chromium Plated

Cylinders:

Conventional—GL Series locksets are supplied standard with Arrow "A" keyway, 6 pin cylinder. As with all other lock series, various levels of masterkeying are available. Conventional cylinders are available in a variety of competitive manufacturers keyways. Supplied with two nickel silver keys.

Interchangeable Core:

Look for these symbols to indicate when product is available in either large or small format interchangeable core.

Cylinder Options—Interchangeable core – lockset prepared for use with 6 or 7 pin interchangeable core. Supplied less core, but packed with 6 and 7 pin tailpieces. Suffix "IC" to request Small Format Interchangeable Core prep and "LIC" for Medeco Large Format Interchangeable core prep.

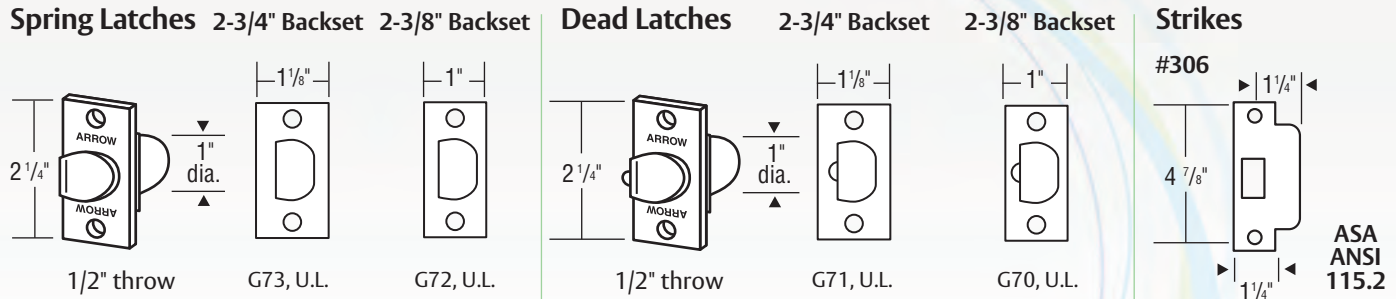
Functions:

ARROW STANDARD	ARROW OVERDRIVE™	ANSI/FEDERAL #	FUNCTION	DESCRIPTION
GL01		F75/161N	Passage	Latchbolt operated by lever either side.
GL02		F76/161L	Privacy	Latchbolt operated by lever either side except when inside pushbutton locks outside lever. Unlocked by turning inside lever, using emergency key outside or closing door.
GL08			Single Dummy Trim	Rigid trim for one side of door only. Used as pull or to match active trim.
GL81	F109		Entrance/Office	Dead locking latch bolt operated by lever from either side except when outside lever is locked by pushing turn button inside. Key outside or operating inside lever releases turn button unlocking outside lever except when turn button had been rotated to keep outside lever locked. Inside turn button must be manually operated to unlock outside lever. Inside lever always operates latch bolt.
GL82	F86/161D		Storeroom	Latchbolt operated by key in outside lever or by inside lever. Outside lever always rigid.
GL87	F84/161R		Classroom	Latchbolt operated by lever either side except when key outside locks outside lever. Inside lever always free. Key outside locks/unlocks outside lever only.
GL97	F110		Intruder Classroom	Deadlocking latch bolt operated by lever from either side. Key either inside or outside locks or unlocks outside lever. Inside lever always operates latchbolt.

GL Series Cylindrical Lever Locks

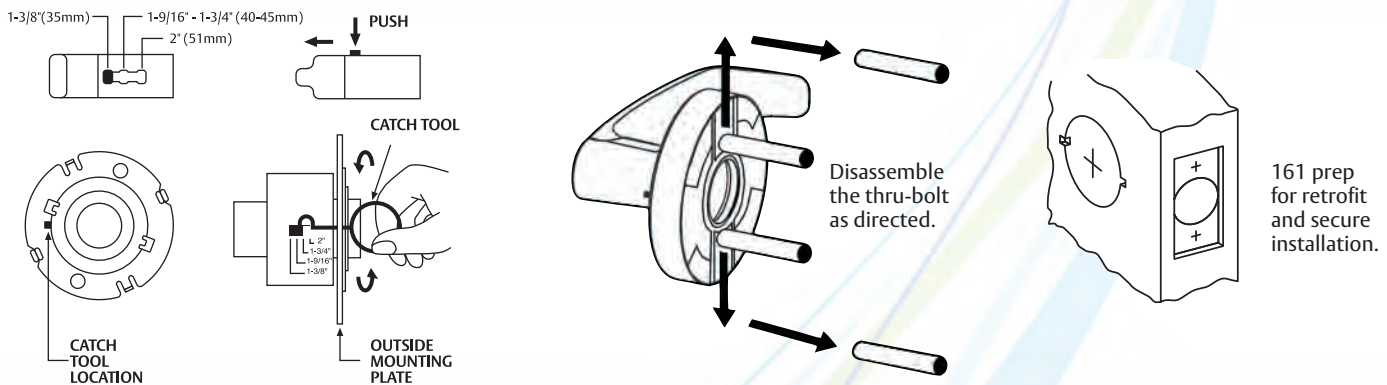
Premier Product

Latches & Strikes:



Installation:

Adjustable Mounting Plate



Suggested Specification:

All locksets shall be GL Series Cylindrical locksets as supplied by Arrow Lock company.

Locksets shall meet ANSI/BHMA requirements for Series 4000, Grade 1, and shall be U.L. and c.U.L. listed for 3 hour, A label openings. Lockset conforms to ANSI A117.1 for barrier-free accessibility, and the California State Reference Code (formerly Title 19, California State Fire Marshall Standard).

Lockset shall be non-handed and no exposed screws. Chassis mounting screws may be accessed only when lever and rose are removed.

Inside and outside rose inserts shall have independent heavy strength coil springs allowing lever handle to move bi-directionally.

Lockset shall be equipped with OverDrive™, freewheeling feature whereby the latch retraction mechanism disengages from the lever handle allowing lever to move freely when locked, without retraction the latch. A built in stop in the rose insert shall prevent lever from travelling beyond approximately 70 degrees.

Lever trim shall consist of cast levers with wrought brass or bronze rose scalps. Levers shall be a minimum of 4-5/8" in length and where applicable shall return to within 1/2" of the door surface.

Disassembly of lockset for cylinder removal shall not be required. Cylinder shall be changed by removing the lever.

All products shall be of one manufacturer.

All locksets shall carry a five year limited warranty.

Order Example:

Example: To order a GL Series classroom function lockset with a Sierra design lever, satin chrome finish, with an ASA strike and 2-3/4" backset, keyed different:

Specify: GL | 87 | SR | 26D | 306 | G71 | KD | XXX
 Series | Function | Design | Finish | Strike | Latch | Keying | Options (if required)

MLX Series Cylindrical Lever Locks

Classic Product



Features:

Door Preparation – Requires standard 2-1/8" (53.97mm) bore through door.

Backset – 2-3/4" (69.85mm)

Door Thickness – Fits 1-3/8" (34.93mm) to 1-3/4" (44.45mm) doors standard.

Latch – Stainless Steel 1/2" (12.7mm) throw, UL Listed, guarded latchbolt on all locking functions

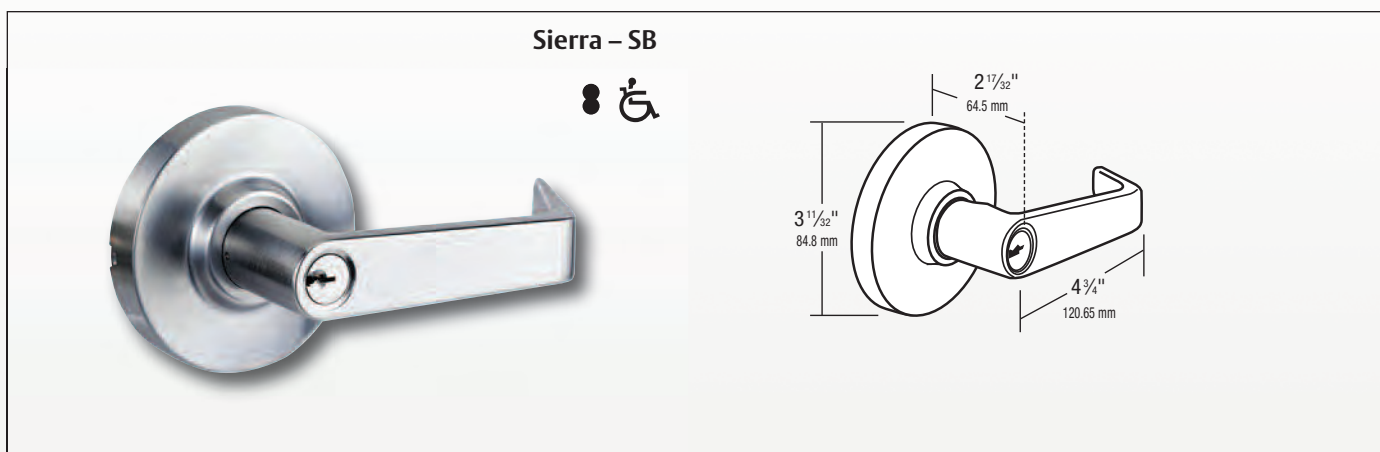
Latch Front – 1-1/8" x 2-1/4" for 2-3/4" (69.85mm) backset.

Exposed Trim – MLX Levers are pressure cast zinc measuring 4-3/4" (120.65mm) in length. MLX Roses are wrought brass 3-11/32" (84.8mm) diameter. Total projection from face of door is 2-17/32" (64.5mm).

Finishes:

	BHMA	U.S. Equiv.	Arrow Equiv.	Finish
1	605	US3	03	Bright Brass
2	614	US10BL	10BP	Dark Oxide Bronze, Clear Coated
5	626	US26D	26D	Satin Chromium Plated

Design:



The MLX Series is a robust Grade 2 lockset featuring a FreeWheeling Lever for abuse resistance, two screw lockset install for quick installation and a 10 Year Mechanical Warranty. The perfect solution for replacing or upgrading locksets in commercial applications.

Freewheeling Lever

Warranty – Ten Year Warranty

Handing – Non-handed

Packaging – 6 per case

Strike – 4-7/8" ANSI (123.83mm)

Cylinder – Solid brass 6 pin, Arrow AR and Schlage CS Keyway, keyed different

Keys – 2 brass keys

Certification & Compliance:

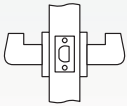
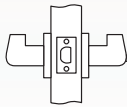
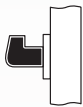
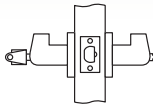
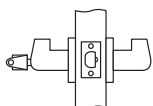
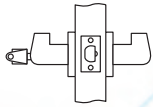


- Arrow MLX Series Cylindrical Lever Locks are BHMA Grade 2 Certified, ANSI/BHMA A156.2, Series 4000
- All Arrow MLX Series Locks are U.L. and c.U.L. list for use on 3 hour, A label or lesser doors
- Meets American with Disabilities Act Requirements

MLX Series Cylindrical Lever Locks

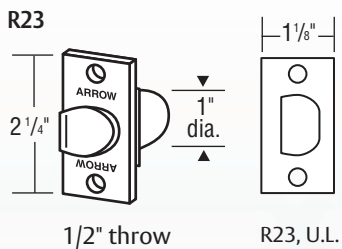
Classic Product

Functions:

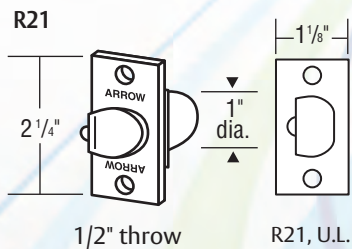
ARROW STANDARD	FUNCTION		DESCRIPTION
MLX01	Passage		Latchbolt operated by lever either side.
MLX72	Privacy		Latchbolt operated by lever either side except when inside turnbutton locks outside. Unlocked by rotating button or by using tool outside.
MLX08	1/2 Dummy Trim		Rigid trim for one side of door only. Used as pull or to match active trim.
MLX81	Entrance		Latchbolt operated by lever either side except when outside lever is locked by turn-button inside. When outside lever is locked, latchbolt operated by key outside or turning inside lever. Inside button must be manually released.
MLX82	Storeroom		Outside lever always locked. Latchbolt operated by key in outside lever, or by turning inside lever.
MLX87	Classroom		Latchbolt operated by lever either side except when key outside locks outside lever. Inside lever always free. Key outside locks/unlocks outside lever only.

Latches & Strikes:

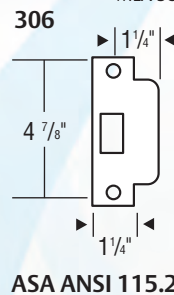
Spring Latches 2-3/4" Backset



Dead Latches 2-3/4" Backset

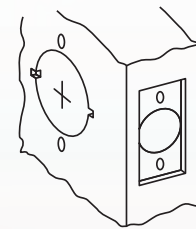


Strikes Standard with MLX Series



Installation:

161 prep for retrofit and secure installation.



Order Example:

Example: To order a MLX Series entry function lockset with a Sierra design lever, satin stainless steel finish, with an R21 strike, and 2-3/4" deadlocking latch, keyed different:

Specify:

Standard:	MLX	81	SB	26D	306	R21	KD	XXX
	Series	Function	Design	Finish	Strike	Latch	Keying	Options (if required)

RLX Series Cylindrical Lever Locks

Value Product

The RLX Series is a robust Grade 2 lockset with a freewheeling lever operation for enhanced abuse resistance. The RLX is an Arrow Professional Replacement Product featuring removable through bolts and a variety of designs, finishes and functions. The RLX Series cylindrical locksets are a perfect solution for replacing or upgrading locksets in commercial applications.



Certification:


The RLX Series is certified to conform to the requirements of ANSI, A156.2, Series 4000, Grade 2 UL Listed for use on 3 hour, A label single swinging doors.

RLX Levers conform to ADA requirements.

ADA/Americans with Disabilities Act:

Acceptable Door Hardware: Section 4.13.9

Handles, pulls, latches and other operating devices on accessible doors shall have a shape that is easy to grasp with one hand and does not require grasping, tight pinching or twisting of the wrist to operate. Lever operated mechanisms, push-type mechanisms and "U" shaped handles are acceptable designs.

 Look for the universal symbol next to Arrow products that comply with ADA accessibility requirements.

Features:

Construction – Cold rolled steel with zinc dichromate finish for corrosion resistance. Requires standard 2-1/8" (53.97mm) bore through door.

Backset – 2-3/4" (69.85mm)

Door Thickness – Fits 1-3/8" (34.93mm) to 1-3/4" (44.45mm) doors standard.

Latch – Stainless Steel 1/2" (12.7mm) throw, UL Listed, guarded latch-bolt on all locking functions

Latch Front – 1-1/8" x 2-1/4" for 2-3/4" (69.85mm) backset.

Exposed Trim – RLX Levers are pressure cast zinc measuring 4-3/4" (120.65mm) in length. RLX Roses are wrought brass 3-11/32" (84.8mm) diameter. Total projection from face of door is 2-17/32" (64.5mm).

Strike – 4-7/8" ANSI (123.83mm)

Cylinder – Solid brass 6 pin, Schlage CS keyway, keyed different

Keys – 2 brass keys

Handing – Non-handed

Thru-bolts – Removable thru-bolts standard on RLX Series

Packaging – 6 per case

Warranty – Five Year Mechanical Warranty



OverDrive™ will allow a locked lever to rotate freely without retracting the latch, improving the life and performance of Arrow locksets.

OverDrive™ – Freewheeling lever action occurs when latch retraction mechanism disengages from lever handle when handle is locked. Built-in stops in the rose insert prevent lever from traveling beyond approximately 45 degrees.

Finishes:



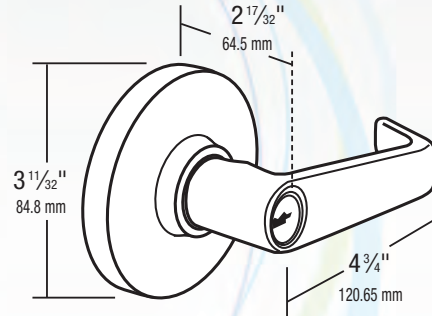
	BHMA	U.S. Equivalent	Arrow Equivalent	Finish
1	605	US3	03	Bright Brass
2	614	US10BL	10BP	Dark Oxide Bronze, Clear Coated
3	626	US26D	26D	Satin Chromium Plated

RLX Series Cylindrical Lever Locks

Value Product

RLX Series lever designs

Sierra SR



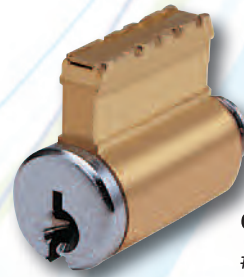
RLX Series cylinders

Solid Brass 6 pin cylinder, pinned. "CS" Keyway standard. Arrow sectional keyways available. Competitive keyways available. US4, US26D finish.

Tailpiece

Part

1001-44



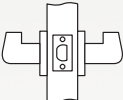
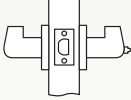

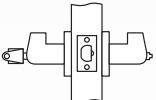
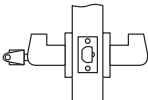
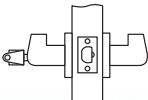
Cylinder Part
#600HD

Interchangeable Core:

- Look for this symbol to indicate availability of product with interchangeable core design.

RLX Series Cylindrical Lever Locks

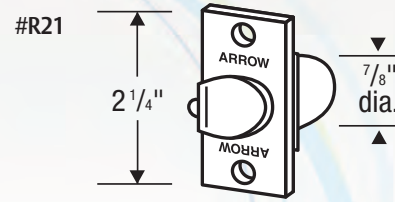
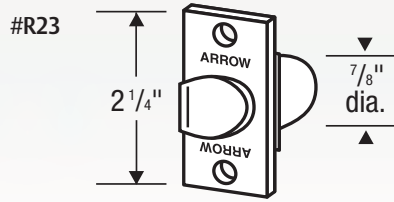
Value Product

ARROW STANDARD	FUNCTION		DESCRIPTION
RLX01	Passage		Latchbolt operated by lever either side.
RLX02	Privacy		Latchbolt operated by lever either side except when inside turnbutton locks outside. Unlocked by rotating button or by using tool outside.
RLX08	1/2 Dummy Trim		Rigid trim for one side of door only. Used as pull or to match active trim.
RLX81	Entrance		Latchbolt operated by lever either side except when outside lever is locked by turn-button inside. When outside lever is locked, latchbolt operated by key outside or turning inside lever. Inside button must be manually released.
RLX82	Storeroom		Outside lever always locked. Latchbolt operated by key in outside lever, or by turning inside lever.
RLX87	Classroom		Latchbolt operated by lever either side except when key outside locks outside lever. Inside lever always free. Key outside locks/unlocks outside lever only.

RLX Series Cylindrical Lever Locks

Value Product

Latches & Strikes:



Latch Standards

UL Spring Latches

UL Dead Latches

2-3/4" Backset

#R23

#R21

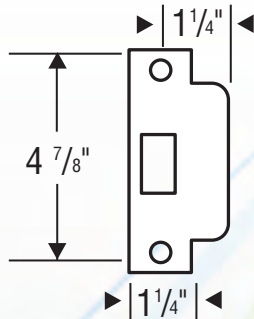


Accessories:

Strikes

306 Strike

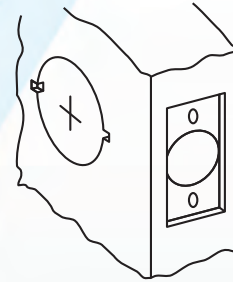
Standard with RLX Series



ASA
ANSI 115.2

Installation:

161 prep for retrofit and secure installation.



Order Example:

Example: To order a RLX Series entry function lockset with a Sierra design lever, satin stainless steel finish, with an R21 strike, and 2-3/4" deadlocking latch, keyed different:

Specify:

Standard:

RLX
Series

81
Function

SR
Design

26D
Finish

306
Strike

R21
Latch

KD
Keying

XXX
Options
(if required)

RL Series Cylindrical Lever Locks

Value Product

The RL Series has been enhanced to offer removable throughbolts and a wide variety of designs, finishes and functions. The RL Series cylindrical locksets are an economical value for a variety of application. Perfect for multi-family housing markets, as well as light commercial applications.



Certification:

The RL Series has been designed to meet the requirements of ANSI, A156.2, Series 4000, Grade 2 UL Listed for use on 3 hour, A label single swinging doors.

RL Levers conform to ADA requirements.



Features:

Construction – Cold rolled steel with zinc dichromate finish for corrosion resistance. Requires standard 2-1/8" (53.97mm) bore through door.

Backset – 2-3/8" (60.31mm) or 2-3/4" (69.85mm)

Door Thickness – Fits 1-3/8" (34.93mm) to 1-3/4" (44.45mm) doors standard.

Latch – Brass 1/2" (12.7mm) throw, UL Listed, guarded latchbolt on all locking functions

Latch Front – 1" x 2-1/4" (25.40mm x 57.15mm) for 2-3/8" backset (60.32mm) or 1-1/8" x 2-1/4" for 2-3/4" (69.85mm) backset.

Exposed Trim – RL Levers are pressure cast zinc measuring 4-3/4" (120.65mm) in length. RL Roses are wrought brass 3-3/8" (85.73mm) diameter. Total projection from face of door is 2-1/2" (63.5mm).

Finishes:




	BHMA	U.S. Equivalent	Arrow Equivalent	Finish
1	605	US3	03	Bright Brass
2	606	US4	04	Satin Brass
3	612	US10	10	Satin Bronze
4	613	US10B	10B	Dark Oxide Bronze, Oil Rubbed
5	625	US26	26	Bright Chromium Plated
6	626	US26D	26D	Satin Chromium Plated

ADA/Americans with Disabilities Act:

Acceptable Door Hardware: Section 4.13.9

Handles, pulls, latches and other operating devices on accessible doors shall have a shape that is easy to grasp with one hand and does not require grasping, tight pinching or twisting of the wrist to operate. Lever operated mechanisms, push-type mechanisms and "U" shaped handles are acceptable designs.

 Look for the universal symbol next to Arrow products that comply with ADA accessibility requirements.

Strike – 4-7/8" ANSI (123.83mm), 2-3/4" (69.85mm) T strike, or 2-1/4" (57.15mm) full lip strike.

Cylinder – Solid brass 6 pin. Arrow "A" keyway standard. Available in Schlage CS keyway and other competitive keyways.

Keys – 2 brass keys

Handing – Non-handed

Thru-bolts – Removable thru-bolts standard on RL Series

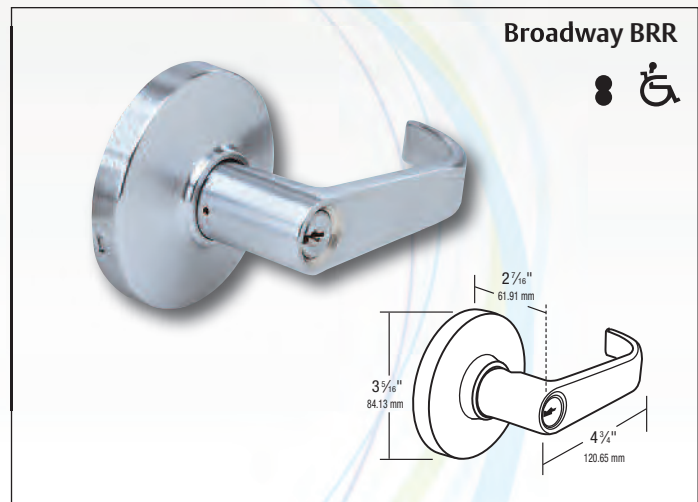
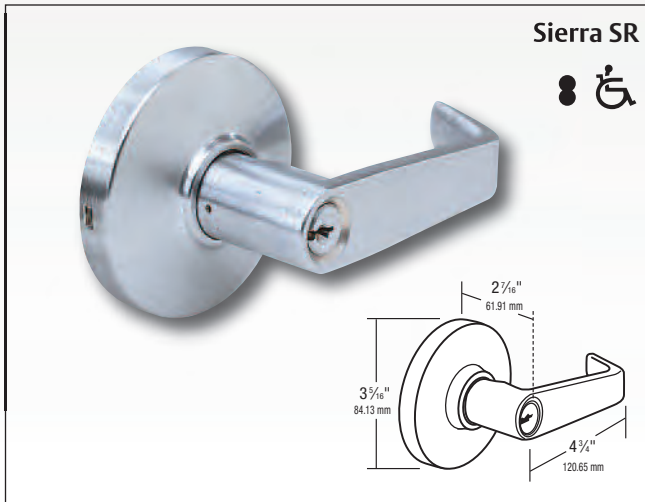
Packaging – 10 per case

Warranty – Five Year Mechanical Warranty

RL Series Cylindrical Lever Locks

Value Product

RL Series lever designs



R Series cylinders

Solid Brass 6 pin cylinder pinned 5 for RK, pinned 6 for RL. "A" Keyway standard. Arrow sectional keyways available. Competitive keyways available. US4, US26D finish.

Tailpieces

Part #	Series
1001-44	RL Series
550RK-44	RK Series

Interchangeable Core:

- Look for this symbol to indicate availability of product with interchangeable core design.



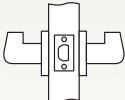
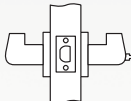
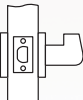

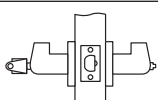
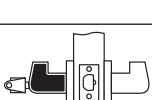
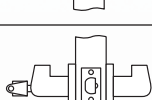

Cylinder Part

#100C-RK – RK Series

#600HD – RL Series

RL Series Cylindrical Lever Locks

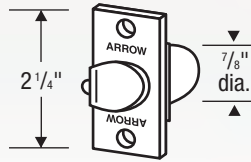
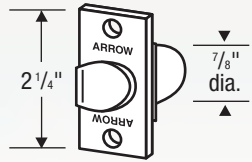
Value Product









ARROW STANDARD	FUNCTION		DESCRIPTION
RL01	Passage		Latchbolt operated by lever either side.
RL02	Privacy		Latchbolt operated by lever either side except when inside turnbutton locks outside. Unlocked by rotating button or by using tool outside.
RL03	Communicating		Latchbolt by inside lever only. Blank rose only outside.
RL08	1/2 Dummy Trim		Rigid trim for one side of door only. Used as pull or to match active trim.
RL11	Entrance		Latchbolt operated by lever either side except when outside lever is locked by turn-button inside. When outside lever is locked, latchbolt operated by key outside or turning inside lever. Inside button must be manually released.
RL12	Storeroom		Outside lever always rigid. Latchbolt operated by key in outside lever, or by turning inside lever.
RL17	Classroom		Latchbolt operated by lever either side except when key outside locks outside lever. Inside lever always free. Key outside locks/unlocks outside lever only.
			Indicates lever rigid at all times.

RL Series Cylindrical Lever Locks

Value Product

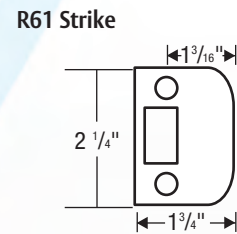
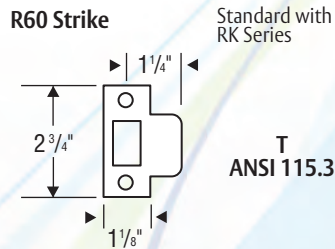
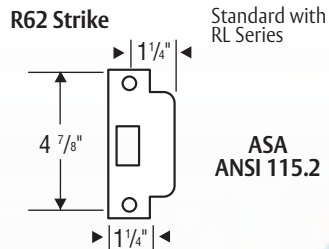
Latches & Strikes:



Latch Standards	UL Spring Latches	UL Dead Latches	Drive-In Latches	
2-3/8" Backset	 #R72	 #R70	 #R74 Deadlatch	 #R76 Springlatch
2-3/4" Backset	 #R73	 #R71	 #R75 Deadlatch	 #R77 Springlatch

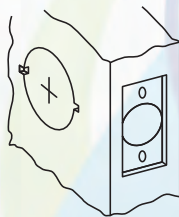
Accessories:

Strikes



Installation:

161 prep for retrofit and secure installation.



Order Example:

Example: To order a RL Series entry function lockset with a Sierra lever design, satin chrome finish, with a R71 strike, and 2-3/4" deadlocking latch, keyed different:

Specify:

Standard:	RL	11	SR	26D	R62	R71	KD	XXX
	Series	Function	Design	Finish	Strike	Latch	Keying	Options (if required)

C Series Residential Locks

Value Product

The return of the Comet brings with it the exceptional value and quality required to meet the demands of the single and multi-family housing markets, as well as light commercial applications.

Combining a variety of knob and lever designs, convenient installation and the Arrow benchmark for dependability, the C Series is perfect in most any space.

Certification:

The C Series has been designed to meet the requirements of ANSI, A156.2, Series 4000, Grade 2.

Features:

Construction – Tubular chassis

Backset – Universal latch is standard. Adjustable for both 2-3/8" (60mm) or 2-3/4" (70mm).

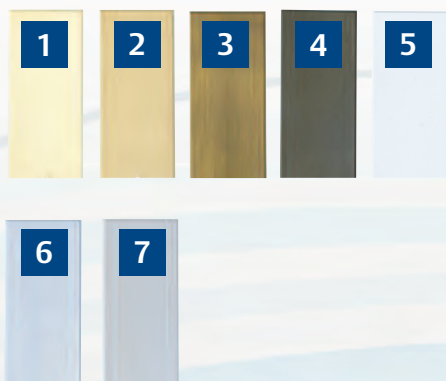
Latch – Brass front. Supplied standard with 1" x 2-1/4" (25mm x 57mm) square corner, 1" x 2-1/4" radius corner and 1-1/8" x 2-1/4" (29mm x 57mm) square corner latch fronts. Available with drive-in latches.

Strike – 1-5/8" x 2-1/4" (41mm x 57mm) full lip strike standard. Available with 1-1/8" x 2-3/4" (29mm x 70mm) "T" strike, or 1-1/4" x 4-7/8" (32mm x 124mm) ANSI strike.

Door Thickness – Fits 1-3/8" to 1-3/4" (35mm-44mm) doors standard.

Exposed Trim – Knobs are wrought brass. Levers are zinc based and are plated to match finish requirements.

Finishes:



	BMHA	U.S. Equiv	Arrow Equiv	Finish
1	605	US3	03	Bright Brass
2	606	US4	04	Satin Brass
3	609	US5	05A	Satin Brass, Blackened
4	614	US10BL	10BP	Dark Oxide Bronze, Clear Coated
5	625	US26	26	Bright Chromium Plated
6	626	US26D	26D	Satin Chromium Plated
7	619	US15	15	Nickel Plated



ADA/Americans with Disabilities Act:

Acceptable Door Hardware: Section 4.13.9

Handles, pulls, latches and other operating devices on accessible doors shall have a shape that is easy to grasp with one hand and does not require grasping, tight pinching or twisting of the wrist to operate. Lever operated mechanisms, push-type mechanisms and "U" shaped handles are acceptable designs.



Look for the universal symbol next to Arrow products that comply with ADA accessibility requirements.

Mounting – Knobsets are supplied with exposed screws on inside rose. Leversets are supplied with concealed screws on inside rose.

Cylinder – Solid brass, 6 pin tumbler, pinned 5. "A" keyway standard. Available in a variety of competitive manufacturers keyways. Supplied with 2 brass keys.

Finishes – US3, US5, US26, US26D, US15.

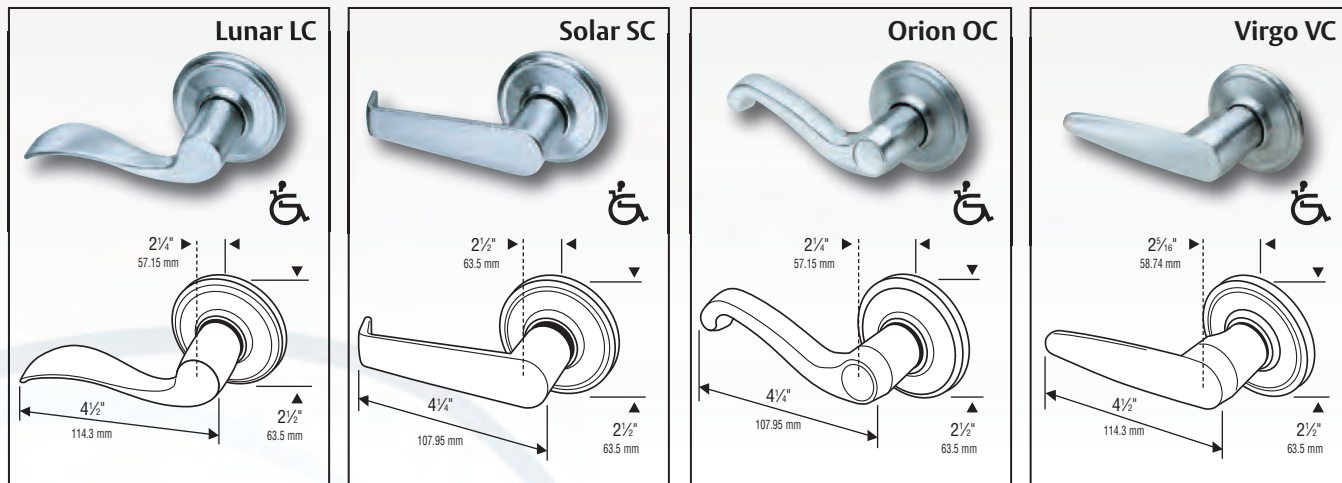
Packaging – Both knob and leversets are packed 1 per box, 20 per carton.

Warranty – 5 year mechanical, 5 year finish.

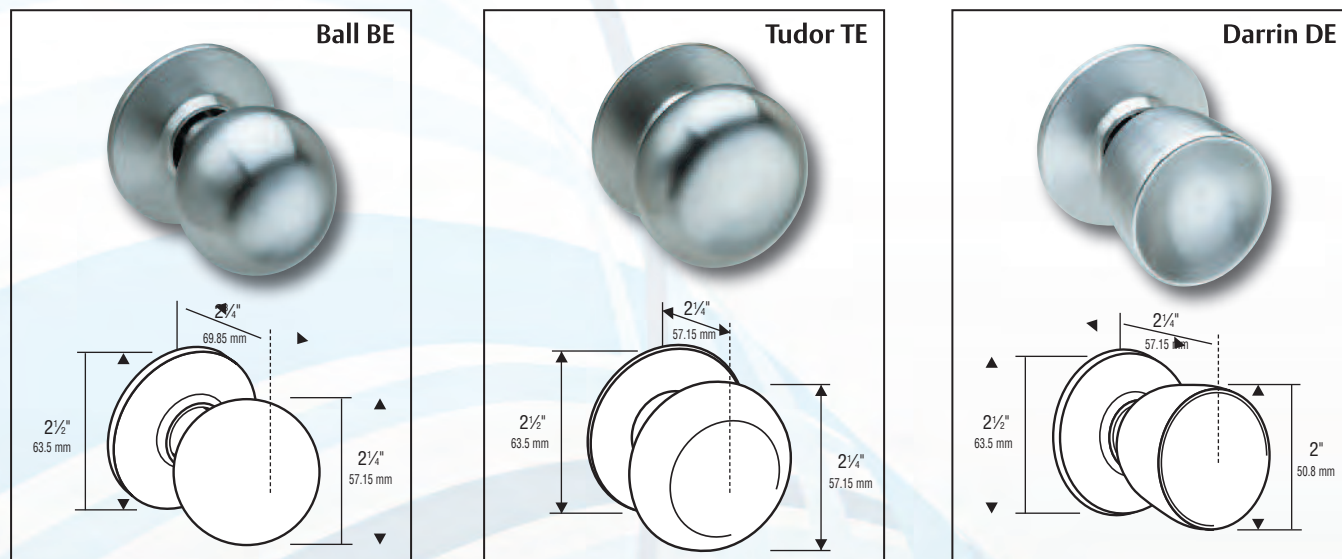
C Series Residential Locks

Value Product

CL Series lever designs

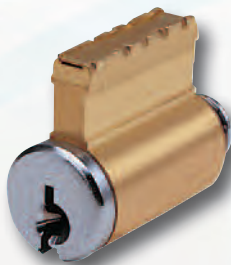


CK Series knob designs



C Series cylinders

Solid brass pin tumbler 6 chambers. Pinned 5 for Grade 2 Locksets. "A" keyway standard. Arrow sectional keyways available. Competitive keyways available. US4, US26D finish.



Tailpieces

Part #	Description
10CL-44	Standard Tailpiece (except for BE design)
10CB-44	Standard Tailpiece for BE design

Cylinders

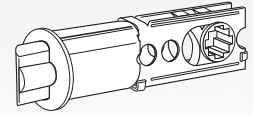
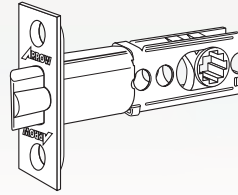
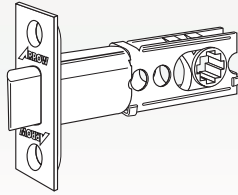
Part #	Description
100YC	Standard Cylinder with tailpiece (except for BE design)
100YC-750	Standard Cylinder with tailpiece for BE design

C Series Residential Locks

Value Product

Latches & Strikes:

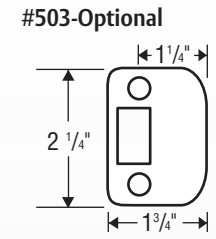
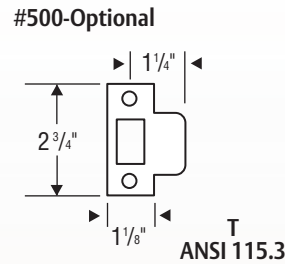
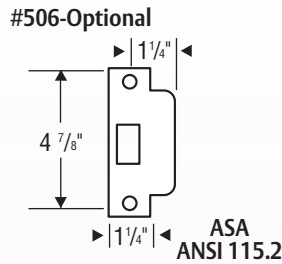
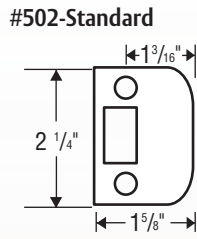
Latches



	Spring Latch	Dead Latch	Drive-In
2-3/8" - 2-3/4" Adjustable Backset	<p>#501 Standard Optional UL Latch #531</p>	<p>#511 Standard Optional UL Latch #521</p>	<p>Spring Latch #505 Dead Latch #515</p>
	<p>Note: Standard latch provided with these three faceplates. 1" x 2-1/4" square corner 1" x 2-1/4" radius corner 1-1/8" x 2-1/4" square corner</p>	<p>Note: Standard latch provided with these three faceplates. 1" x 2-1/4" square corner 1" x 2-1/4" radius corner 1-1/8" x 2-1/4" square corner</p>	

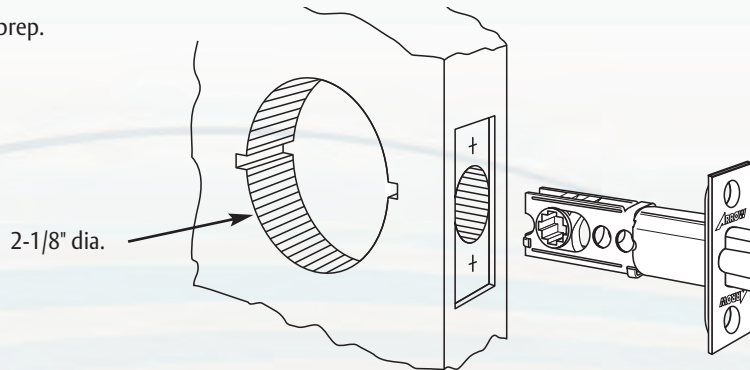
Accessories:

Strikes



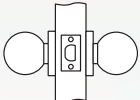
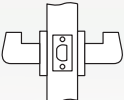
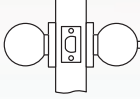
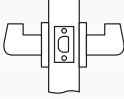
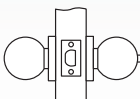
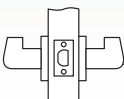
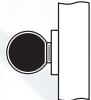
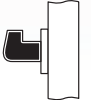
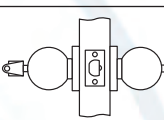
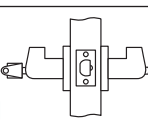
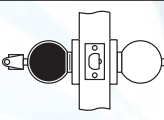
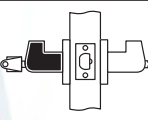
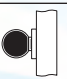

Installation:

Standard 2-1/8" door prep.



C Series Residential Locks

Value Product

ARROW STANDARD	FUNCTION			DESCRIPTION
CK01/CL01	Passage			Latchbolt operated by knob/lever either side.
CK02/CL02	Privacy			Latchbolt operated by knob/lever either side except when inside turnbutton locks outside. Unlocked by rotating button or by using tool outside.
CK04/CL04	Patio			Both knob/levers locked by inside button. Deadlocking latch standard.
CK08/CL08	1/2 Dummy Trim			Rigid trim for one side of door only. Used as pull or to match active trim.
CK11/CL11	Entrance			Latchbolt operated by knob/lever either side except when outside knob/lever is locked by turn-button inside. When outside knob/lever is locked, latchbolt operated by key outside or turning inside knob/lever. Inside button must be manually released.
CK12/CL12	Storeroom			Outside knob/lever always rigid. Latchbolt operated by key in outside knob/lever, or by turning inside knob/lever.
				Indicates knob/lever rigid at all times.

Order Example:

Example: To order a CL Series entry function lockset with a Virgo design lever, satin chrome finish, with a full lip strike and adjustable backset, keyed different:

Specify:

Standard:	<u>CL</u>	<u>11</u>	<u>VC</u>	<u>26D</u>	<u>502</u>	<u>511</u>	<u>KD</u>	<u>XXX</u>
	Series	Function	Design	Finish	Strike	Latch	Keying	Options (if required)

HK Series Cylindrical Lock

Premier Product



Features:

Lock Chassis – Cold rolled steel with zinc dichromate finish for corrosion resistance. Latch retractor is precision stainless steel. Requires standard 2-1/8" (53.97mm) bore through door.

Door Thickness – 1-3/8" (35mm) to 2" (50.80mm)

Latch – Stainless steel with 1/2" (12.7mm) throw. Latch housing is steel, zinc dichromate finish for corrosion resistance. 1" (25.4mm) bore in edge of door required.

Latch Front – Brass or stainless steel, 2-1/4" (57.15mm) x 1-1/8" (28.57mm), beveled 1/8" (3.17mm) in 2" (50.8mm)

Handing – Reversible.

The HK series Grade 1 Cylindrical Knob lock is designed and tested for the most robust applications for Grade 1 knob locksets. Backed by the Arrow 10 year warranty and Certified to BHMA Grade 1 it is the worry free solution when a Grade 1 knob lock is needed.

Strike – Brass or stainless steel. ANSI A115.2, 4-7/8" (123.82mm) x 1-1/4" (31.75mm) curved lip standard with a 1-1/4" (31.75mm) lip to center dimension.

Cylinder, Standard – Solid brass 6 pin cylinder supplied with two 6 pin nickel plated brass keys. Available in Arrow AR or Schlage CS keyway.

Cylinder Options – Interchangeable core-lockset prepared for use with 6 or 7 pin interchangeable core available. SFIC format. Supplied less core. Suffix "IC" to design.

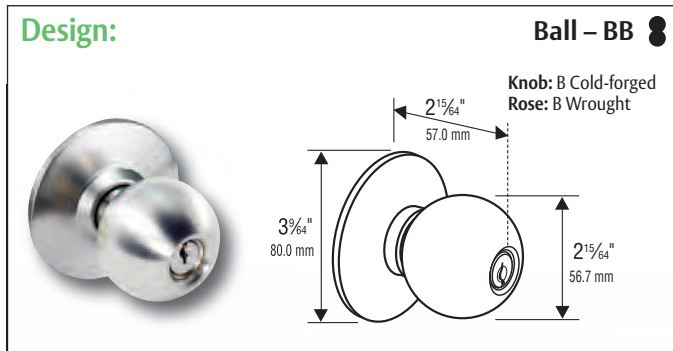


Certification & Compliance:

- ANSI/BHMA A156.2, Series 4000, Grade 1.
- Underwriters Laboratories (UL and CUL) listed for use on 3 hour, A label single swinging doors.

Finishes:

	BHMA	U.S. Equiv.	Arrow Equiv.	Finish
1	605	US3	03	Bright Brass
2	614	US10BL	10BP	Dark Oxide Bronze, Clear Coated
3	630	US32D	32D	Satin Stainless Steel



ARROW FUNCTION STANDARD

DESCRIPTION

ARROW FUNCTION STANDARD	DESCRIPTION
HK01 Passage/Closet	Latchbolt operated by knob either side.
HK02 Privacy/Bathroom	Latchbolt operated by knob either side except when inside pushbutton locks outside knob. Unlocked by turning inside knob, using emergency key outside or closing door.
HK08 Single Dummy Trim	Rigid trim for one side of door only. Used as pull or to match active trim.
HK11 Entrance/Office	Latchbolt operated by knob either side except when outside knob is locked by turnbutton inside. When outside knob is locked, latchbolt operated by key outside or turning inside knob. Pushing and turning inside button will cause outside knob to remain locked. Button will then need to be manually rotated to unlock outside knob.
HK12 Storeroom	Latchbolt operated by key in outside knob or by inside knob. Outside knob always rigid.
HK17 Classroom	Latchbolt operated by knob either side except when key outside locks/unlocks outside knob. Inside knob always free. Key outside locks/unlocks outside knob only.

How to Order

Function & Trim	HK11-BB
Finish	HK11-BB-32D
Strike	HK11-BB-32D-306
Latch	HK11-BB-32D-306-Q71
Keying	HK11-BB-32D-306-Q71-ARKD

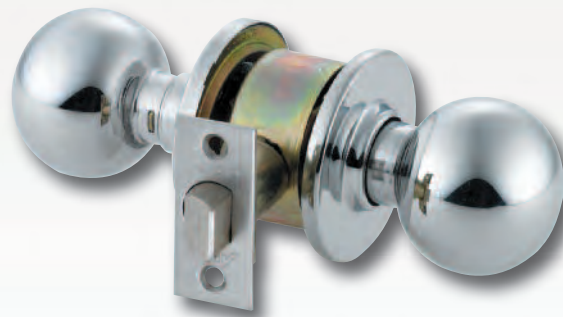
ASSA ABLOY, the global leader in door opening solutions



MK Series Cylindrical Locksets

Classic Product

Arrow MK Series offer the designer, architect and contractor simple solutions to accessibility requirements. Their clean designs, architectural finishes and available functions make them ideal for commercial applications where heavy duty grade one hardware may not be necessary.



Certification:

All Arrow MK Series locks are U.L. and c.U.L. listed for use on 3 hour, A label or lesser doors and are certified to conform to the requirements of ANSI/BHMA A156.2, Series 4000, Grade 2.

- Federal Specification FF-H-106C



General Specifications:

Lock Chassis – Cold rolled steel with zinc dichromate finish for corrosion resistance. Requires standard 2-1/8" (53.97mm) bore through door.

Backset – 2-3/8" (60.32mm) standard. 2-3/4" (69.85mm), 3-3/4" (95.25mm) and 5" (127mm) available.

Door Thickness – 1-3/8" (34.92mm) to 1-3/4" (44.45mm).

Latch – Brass with 1/2" (12.7mm) throw. Latch housing is steel, with zinc dichromate finish for corrosion resistance. 7/8" (22.225mm) bore in edge of door is required.

Latch Front – Brass, bronze or stainless steel. Standard faceplate for 2-3/8" (60.32mm) backset measures 2-1/4" (57.15mm) x 1" (25.40mm) with a flat front, for 2-3/4" (69.85mm) backset standard faceplate measures 2-1/4" (57.15mm) x 1-1/8" (28.57mm) with beveled front 1/8" (3.17mm) in 2" (50.8mm).

Strike – Brass, bronze or stainless steel. Standard "T" strike measures 2-3/4" (69.85mm) x 1-1/8" (28.57mm). Optional ANSI A115.1 strike measures 4-7/8" (123.82mm) x 1-1/4" (31.75mm). All strikes have a 1-1/4" (31.75mm) lip to center dimension.

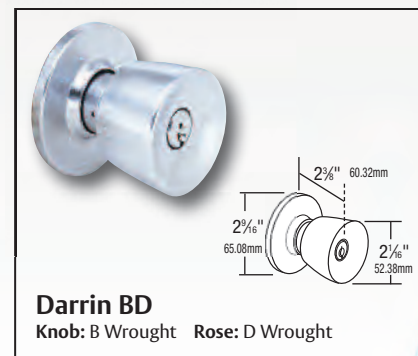
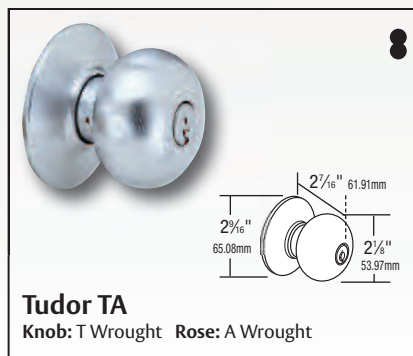
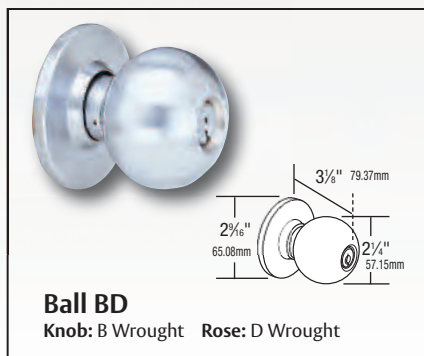
Handing – Reversible.

Cylinder, Standard – Solid brass 6 pin cylinder with Arrow "A" keyway, keyed to 5 pin for stock. Can be masterkeyed, grandmaster keyed and construction masterkeyed. Conventional cylinders are also available in a variety of competitive manufacturer's keyways. Supplied with two 5 pin brass keys for stock. Available in Schlage CS keyway and other competitive keyways.

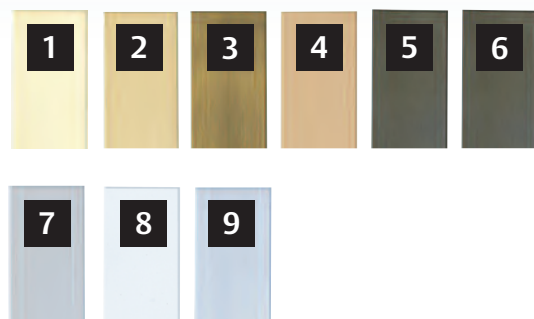
MK Series Cylindrical Locksets

Classic Product

Designs:



Finishes:



	BHMA	U.S. Equivalent	Arrow Equivalent	Finish
1	605	US3	03	Bright Brass
2	606	US4	04	Satin Brass
3	609	US5	05A	Antique Brass
4	612	US10	10	Satin Bronze
5	613	US10B	10B	Dark Oxide Bronze, Oil Rubbed
6	614	US10BL	10BP	Dark Oxide Bronze, Clear Coated
7	619	US15	15	Nickel Plated
8	625	US26	26	Bright Chromium Plated
9	626	US26D	26D	Satin Chromium Plated

Cylinder Options:

Conventional—MK Series locksets are supplied standard with Arrow "A" keyway, 6 pin cylinder. As with all other lock series, various levels of masterkeying are available. Conventional cylinders are available in a variety of competitive manufacturers keyways. Supplied with two brass keys.

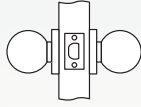
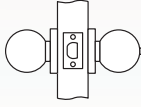
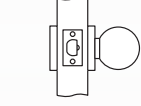
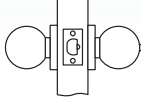
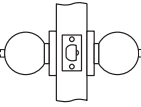
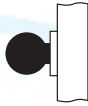
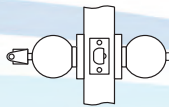
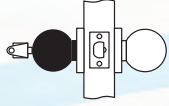
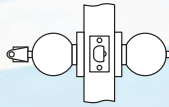

Interchangeable Core—Lockset prepared for use with 6 or 7 pin interchangeable core. Supplied less core, but packed with 6 and 7 pin tailpieces. Will also accept cores manufactured by Best™, Falcon™, Medeco Keymark™ and others. Suffix "IC" to design. Temporary Arrow construction cores are also available.

Interchangeable Core:

- Look for this symbol to indicate availability of product with interchangeable core.

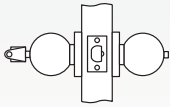
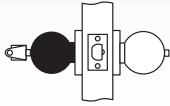
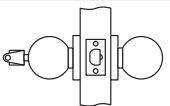
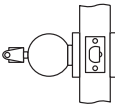
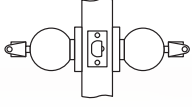
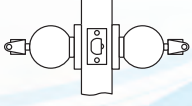
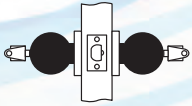
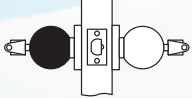
MK Series Cylindrical Locksets

Classic Product

ARROW STANDARD	ANSI/ FED#	FUNCTION		DESCRIPTION
MK01	F75/161N, 160N	Passage		Latch bolt operated by knob from either side at all times
MK02	F76/161L, 160L	Privacy		Latch bolt operated by knob from either side. Outside knob is locked by push button inside and unlocked by emergency release outside, operating inside knob or closing door.
MK03	F111	Communicating Passage		Dead locking latch bolt operated by knob one side only at all times. Non removable blank trim outside.
MK04	F77/161P, 160P	Patio		Dead locking latch bolt operated by knob from either side. Outside knob is locked by push button inside and unlocked by operating inside knob or closing door. Do not use on doors in rooms that have no other entrance.
MK05	F78/161M, 160M	Communicating		Dead locking latch bolt operated by knob from either side. Turn button on either side locks or unlocks opposite knob. Do not use on doors in rooms that have no other entrance.
MK08		Single Dummy Trim		Rigid trim for one side of door only. Used as pull or to match active trim.
MK11	F109 (F81 & F82)/ 161A, 160A	Entrance/Office		Dead locking latch bolt operated by knob from either side except when outside knob is locked by pushing turn button inside. Key outside or operating inside knob releases turn button unlocking outside knob except when turn button has been rotated to keep outside knob locked. Inside turn button must be manually operated to unlock outside knob. Inside knob always operates latch bolt.
MK12	F86/161D, 160D	Storeroom		Dead locking latch bolt operated by key in outside knob or by operating inside knob. Outside knob is always inoperable.
MK13	F82A/161B, 160B	Exterior		Dead locking latch bolt operated by knob from either side except when outside knob is locked by push button inside. When outside knob is locked, operating key in outside knob or operating inside knob unlocks push button and retracts latch bolt. Closing door does not release push button.
				Indicates knob rigid at all times.

MK Series Cylindrical Locksets

Classic Product

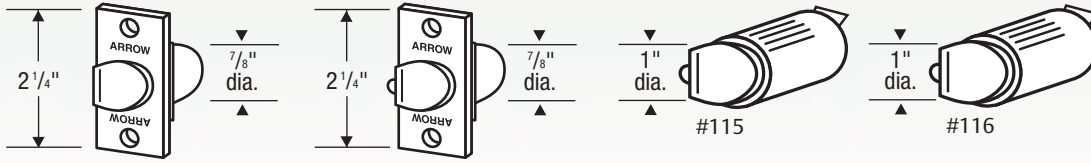
ARROW STANDARD	ANSI/ FED#	FUNCTION		DESCRIPTION
MK14	F92/161E, 160E	Service Station		Dead locking latch bolt operated by knob from either side except when outside knob is locked by push button inside. Key outside, operating inside knob or closing door releases push button unlocking outside knob except when slotted push button is in a locked position. Inside knob always operates latch bolt.
MK15	F93/161H, 160H	Hotel		Dead locking latch bolt operated by knob from inside at all times. Outside knob always inoperable. Latch bolt operated by key from outside except when push button inside is operated thus shutting out all keys except emergency key. Operating push button operates outside visual indicator showing room is occupied. Operating inside knob or closing door releases indicator and shut out feature except when shut out is activated by turning inside button with spanner key.
MK17	F84/161R, 160R	Classroom		Dead locking latch bolt operated by knob from either side except when outside knob is locked from outside by key. When outside knob is locked, latch bolt is operated by inside knob.
MK18	F113	Communicating Classroom		Dead locking latch bolt operated by knob one side only except when knob is locked by key. Non removable blank trim outside.
MK31	F80/161S, 160S	Communicating		Dead locking latch bolt operated by knob from either side. Turning key in either knob locks or unlocks its own knob independently. Do not use on doors in rooms that have no other entrance.
MK32	F88/161C, 160C	Public Entrance		Dead locking latch bolt operated by knob from either side except when outside knob is locked by key from inside. When outside knob is locked, latch bolt is retracted by key in outside knob or by operating inside knob.
MK33	F87/161W, 160W	Asylum		Dead locking latch bolt operated by key in knob from either side. Both knobs always inoperable.
MK34		Exterior		Dead locking latch bolt operated by key from outside or by knob from inside except when inside knob is locked by key from inside knob. Outside knob is always inoperable.

MK Series Cylindrical Locksets

Classic Product

Latches & Strikes:

Latches

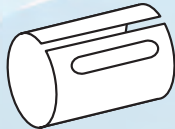


Latch Standards	Spring Latches	Dead Latches	Strikes
2-3/8" Backset	 #101 non-UL #221 UL	 #111 non-UL #121 UL	 ANSI 115.3
2-3/4" Backset	 #104 non-UL #224 UL	 #114 non-UL #124 UL	 ASA ANSI 115.2
3-3/4" Backset	 #108 non-UL #228 UL	 #118 non-UL #128 UL	<h4>Boxes</h4> For 306 For 300

Latch Options: #272 - 2-3/4" backset 1" x 2-1/4" #282 - 2-3/4" backset 1" x 2-1/4"

Accessories:

Sleeve



K-179: For 1" diameter latch hole, fits all spring and dead latches.

MK Series Cylindrical Locksets

Classic Product

Suggested Specification:

All locksets shall be MK Series Cylindrical locksets as supplied by Arrow Lock company.

Locksets shall meet ANSI/BHMA requirements for Series 4000, Grade 2, and shall be U.L. and c.U.L. listed for 3 hour, A label openings.

Lockset shall be non-handed. Lockset shall have no exposed screws. Chassis mounting screws may be accessed only when knob and rose are removed.

Trim shall consist of wrought with wrought brass or bronze rose scalps.

Disassembly of lockset for cylinder removal shall not be required. Cylinder shall be changed by removing the knob.

All products shall be of one manufacturer.

All locksets shall carry a three year limited warranty.

Order Example:

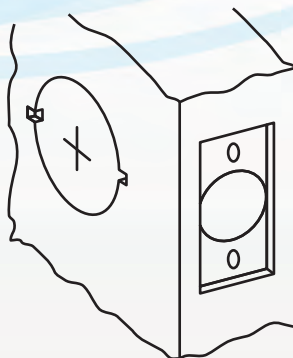
Example: To order a MK Series classroom function lockset with a BB design, satin chrome finish, with an ASA strike and 2-3/4" backset, keyed different:

Specify:

Standard:	MK	17	BB	26D	306	124	KD	XXX
	Series	Function	Design	Finish	Strike	Latch	Keying	Options (if required)

Installation:

161 prep for retrofit and secure installation.



RK Series Cylindrical Locksets

Value Product

The RK Series has been enhanced to offer a wide variety of finishes and functions. The RK Series cylindrical locksets are an economical value for a variety of application. Perfect for multi-family housing markets, as well as light commercial applications.



Certification:

The RK Series has been designed to meet the requirements of ANSI, A156.2, Series 4000, Grade 2 UL Listed for use on 3 hour, A label single swinging doors.



Features:

Construction – Cold rolled steel with zinc dichromate finish for corrosion resistance. Requires standard 2-1/8" (53.97mm) bore through door.

Backset – 2-3/8" (60.31mm) or 2-3/4" (69.85mm).

Door Thickness – Fits 1-3/8" (34.93mm) to 1-3/4" (44.45mm) doors standard.

Latch – Brass 1/2" (12.7mm) throw, UL Listed, guarded latchbolt on all locking functions.

Latch Front – 1" x 2-1/4" (25.40mm x 57.15mm) for 2-3/8" backset (60.32mm) or 1-1/8" x 2-1/4" for 2-3/4" (69.85mm) backset.

Exposed Trim – RK Roses are wrought brass 2-1/2" (63.5mm) diameter. Total projection from face of door is 2-3/4" (69.85mm).

Strike – 4-7/8" ANSI (123.83mm), 2-3/4" (69.85mm) T strike, or 2-1/4" (57.15mm) full lip strike.

Cylinder – Solid brass 6 pin. Arrow "A" keyway standard. Available in Schlage CS keyway and other competitive keyways.

Keys – 2 brass keys.

Handing – Non-handed.

Thru-bolts – Removable thru-bolts standard on RL Series.

Packaging – 10 per case.

Warranty – Five Year Mechanical Warranty.

Finishes:

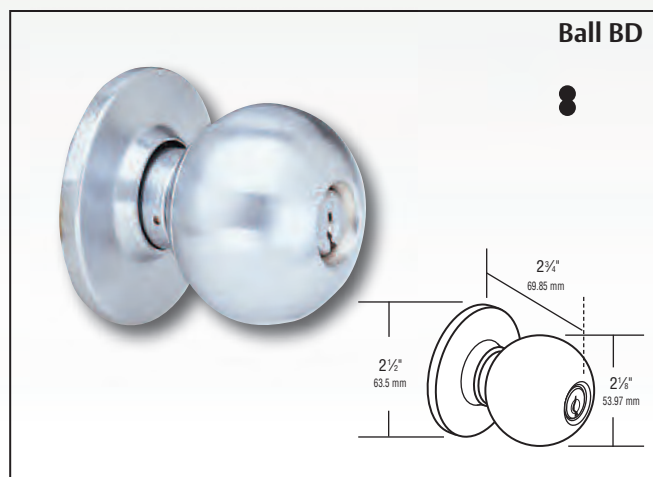


	BHMA	U.S. Equivalent	Arrow Equivalent	Finish
1	605	US3	03	Bright Brass
2	606	US4	04	Satin Brass
3	612	US10	10	Satin Bronze
4	613	US10B	10B	Dark Oxide Bronze, Oil Rubbed
5	629	US32	32	Bright Stainless Steel
6	630	US32D	32D	Satin Stainless Steel

RK Series Cylindrical Locksets

Value Product

RK Series knob designs:



R Series cylinders:

Solid Brass 6 pin cylinder pinned 5 for RK, pinned 6 for RL. "A" Keyway standard. Arrow sectional keyways available. Competitive keyways available. US4, US26D finish.

Tailpieces:

PART #	SERIES
1001-44	RL Series
550RK-44	RK Series

Interchangeable Core:

Look for this symbol to indicate availability of product with interchangeable core design.



Cylinder Part

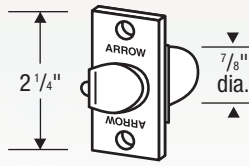
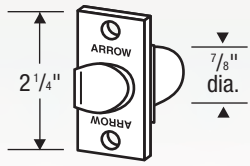
#100C-RK – RK Series

#600HD – RL Series

RK Series Cylindrical Locksets

Value Product

Latches & Strikes:



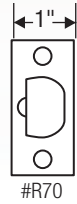
Latch Standards

UL Spring Latches

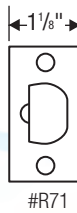
UL Dead Latches

Drive-In Latches

2-3/8" Backset

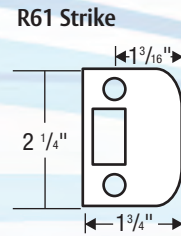
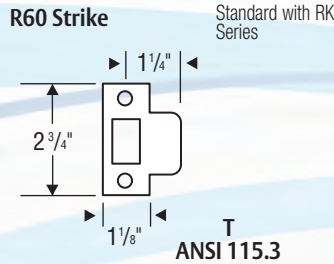
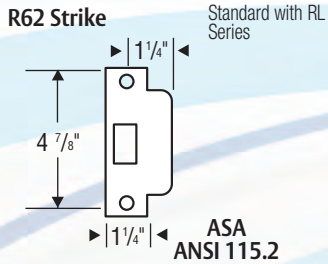


2-3/4" Backset



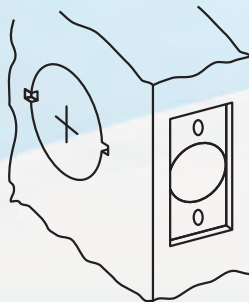
Accessories:

Strikes



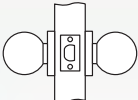
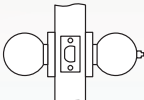
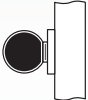
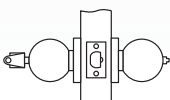
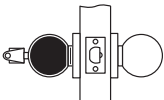
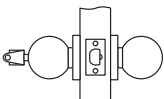
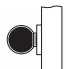
Installation:

161 prep for retrofit and secure installation.



RK Series Cylindrical Locksets

Value Product

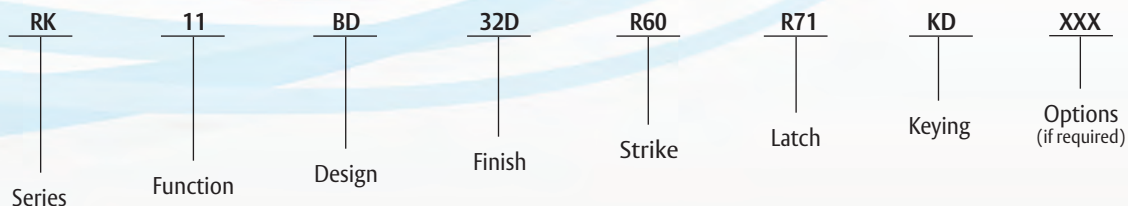
ARROW STANDARD	FUNCTION		DESCRIPTION
RK01	Passage		Latchbolt operated by knob/lever either side.
RK02	Privacy		Latchbolt operated by knob/lever either side except when inside turnbutton locks outside. Unlocked by rotating button or by using tool outside.
RK08	1/2 Dummy Trim		Rigid trim for one side of door only. Used as pull or to match active trim.
RK11	Entrance		Latchbolt operated by knob/lever either side except when outside knob/lever is locked by turn-button inside. When outside knob/lever is locked, latchbolt operated by key outside or turning inside knob/lever. Inside button must be manually released.
RK12	Storeroom		Outside knob/lever always rigid. Latchbolt operated by key in outside knob/lever, or by turning inside knob/lever.
RK17	Classroom		Latchbolt operated by knob/lever either side except when key outside locks outside lever. Inside lever always free. Key outside locks/unlocks outside lever only.
			Indicates knob/lever rigid at all times.

Order Example:

Example: To order a RK Series entry function lockset with a Ball design lever, satin stainless steel finish, with a R60 strike, and 2-3/4" deadlocking latch, keyed different:

Specify:

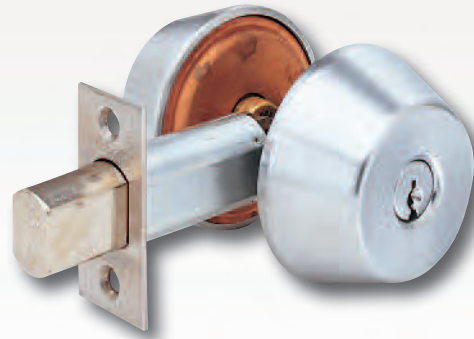
Standard:



D Series Deadbolts

Premier Product

Arrow D Series deadlocks are engineered to perform under the most extreme conditions where security is critical. Our Grade 1 extra heavy duty deadlock surpasses the demands of industrial, institutional and commercial applications.



Certification & Compliance:

- ANSI A156.5, Auxiliary Locks, Grade 1
- Underwriters Laboratories (UL and CUL) listed for use on 20 minute fire doors when used in conjunction with a rated primary latching device



General Specifications:

Housing—Two-piece housing, with free-spinning outer ring to prevent wrenching. Concealed mounting screws are standard on double cylinder functions.

Deadbolt—1" (25.40mm) throw, solid steel deadbolt with hardened, free spinning, steel pin & insert.

Backset—2-3/8" (60.32mm), 2-3/4" (69.85mm).

Deadbolt fronts—2-1/4" (57.15mm) x 1" (25.40mm) standard for 2-3/8" (60.32mm) backset, 2-1/4" (57.15mm) x 1-1/8" (28.57mm) standard for 2-3/4" (69.85mm) backset. Drive-in deadbolts are available.

Doors—1-3/8" (34.925mm) to 1-3/4" (44.45mm) thick standard.

Strikes—Supplied standard with the #346 wood frame strike and BX91D strike reinforcement. The #345 metal frame strike is optional.

Handing—All functions are reversible.

Cylinder, Standard—Solid brass, Arrow "A" keyway, 6 pin cylinder. Supplied with two nickel silver keys. Available in Schlage CS keyway and other competitive keyways.

Cylinder Options—Accepts 6 or 7 pin, small format, interchangeable cores. Supplied less cores. Will accept Best™ or Falcon™ type cores (except the E41).

Finishes:



	BHMA	U.S. Equivalent	Arrow Equivalent	Finish
1	605	US3	03	Bright Brass
2	606	US4	04	Satin Brass
3	609	US5	05A	Antique Brass
4	612	US10	10	Satin Bronze
5	613	US10B	10B	Dark Oxide Bronze, Oil Rubbed
6	614	US10BL	10BP	Dark Oxide Bronze, Clear Coated
7	625	US26	26	Bright Chromium Plated
8	626	US26D	26D	Satin Chromium Plated

E Series Deadbolts

Classic Product

Arrow E Series deadlocks are unsurpassed for value, quality and durability. Our tamper resistant rotating wrench-proof collar, steel deadbolt with hardened steel pin insert and concealed screws are security features that have made the E Series the most specified deadlock in its class.



Certification & Compliance:

- ANSI A156.5, Auxiliary Locks, Grade 2
- Underwriters Laboratories (UL and CUL) listed for use on 3 hour fire doors when used in conjunction with a rated primary latching device.



General Specifications:

Housing – Two-piece housing, with free spinning outer ring to prevent wrenching. Concealed mounting screws standard on double cylinder functions.

Thru-bolting – supplied with two 1/4" (6.35mm) steel thru-bolts.

Deadbolt – 1" (25.40mm) throw, solid steel deadbolt with hardened, free spinning, steel pin insert.

Backset – 2-3/8" (60.32mm), 2-3/4" (69.85mm)

Deadbolt Fronts – 2-1/4" (57.15mm) x 1" (25.40mm) standard for 2-3/8" (60.32mm) backset, 2-1/4" (57.15mm) x 1-1/8" (28.57mm) standard for 2-3/4" (69.85mm) backset. Drive-in deadbolts are available.

Finishes:



Doors – 1-3/8" (34.925mm) to 1-3/4" (44.45mm) thick standard.

Strikes – Supplied standard with the #346 wood frame strike. The #345 metal frame strike is optional.

Handing – All functions are reversible.

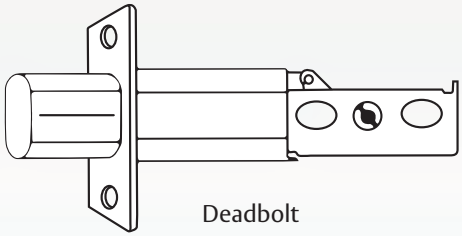
Cylinder, Standard – Solid brass, Arrow "A" keyway, drilled for 6 pins, pinned to 5. E41 and E42 low profile deadbolts are supplied with 5-pin cylinders. Supplied with two brass keys. Available in Schlage CS keyway and other competitive keyways.

Cylinder Options – Accepts 6 or 7 pin, small format, interchangeable cores. Supplied less cores. Will accept Best™ or Falcon™ type cores.

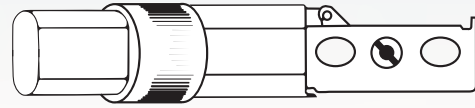
	BHMA	U.S. Equivalent	Arrow Equivalent	Finish
1	605	US3	03	Bright Brass
2	606	US4	04	Satin Brass
3	609	US5	05A	Antique Brass
4	612	US10	10	Satin Bronze
5	613	US10B	10B	Dark Oxide Bronze, Oil Rubbed
6	614	US10BL	10BP	Dark Oxide Bronze, Clear Coated
7	619	US15	15	Nickel Plated
8	625	US26	26	Bright Chromium Plated
8	626	US26D	26D	Satin Chromium Plated

D & E Series Deadbolts

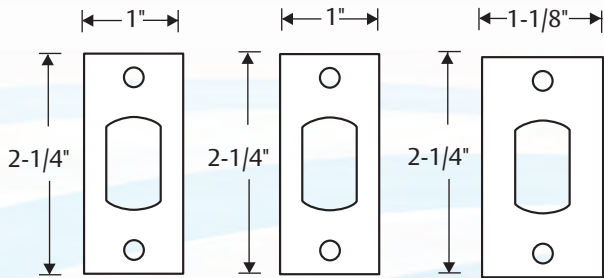
Deadbolts:



Deadbolt



Drive-In Deadbolt

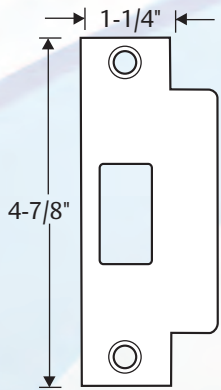


Part No.	#141	#142	#144
Backset	2-3/8"	2-3/4"	2-3/4"

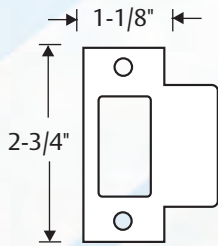


#145	#146
2-3/8"	2-3/4"

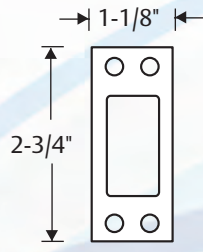
Strikes:



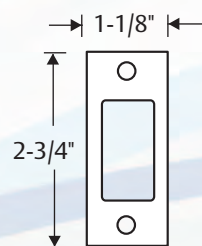
#347
ASA



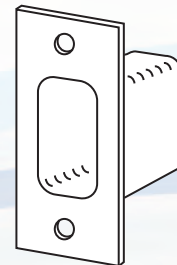
#350
T



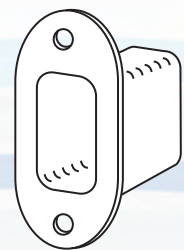
#345
(for metal doors)



#346
(for wood doors)



BX91D
(D Series)



BX91
(E Series)

Parts:

Thick Door Pack – For doors 2-1/4" thick

DB Series Deadbolts

Value Product

The DB series is a Grade 2 commercial deadbolt that features an adjustable backset in an attractive low profile package. It is ideal for commercial common areas and residential use.

Certification & Compliance:

- Designed to meet ANSI A156.36, Auxiliary Locks, Grade 2
- Underwriters Laboratories (UL and CUL) listed for use on 3 hour fire doors when used in conjunction with a rated primary latching device.



Function – Single Cylinder; Double Cylinder.

Housing – Solid zinc cylinder housing.

Latch Bolt – 1" (25mm) throw brass deadbolt with hardened, free spinning, steel pin insert.

Deadbolt Front – 2-1/4" (57mm) x 1" (25mm). Plastic spacer supplied for 1-1/8" (27.5mm) mortise.

Backset – 2-3/8" – 2-3/4" (60mm – 70mm), adjustable.

Door Thickness – 1-3/8" – 2" (35mm – 50mm).

Strike – 1/32" (2.3mm) steel with wood frame reinforcer.

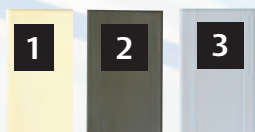
Cylinder – Solid brass, drilled for 6 pins pinned to 5. Supplied with 2 nickel plated brass keys per keyed lock.

Keyway – Schlage C standard.

Cylinder Options – Accepts 6 or 7 pin, small format interchangeable cores. Supplied less core. Will accept Best or Falcon type cores

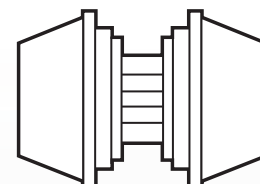
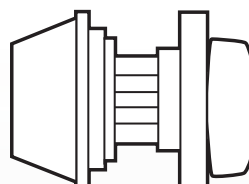
Finishes – 605/613/630.

Finishes:



Single Cylinder

Double Cylinder



	BHMA	U.S. Equivalent	Arrow Equivalent	Finish
1	605	US3	03	Bright Brass
2	614	US10BL	10BP	Dark Oxide Bronze, Clear Coated
3	630	US32D	32D	Satin Stainless Steel

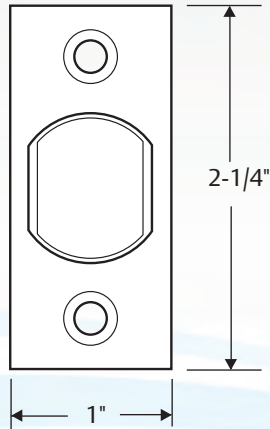
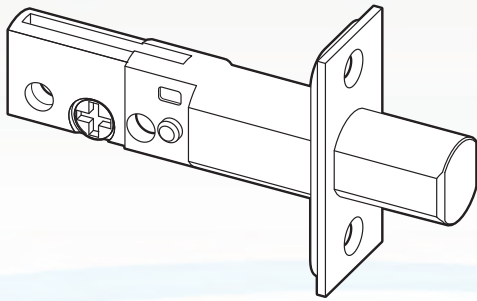
DB Series Deadbolts

Value Product

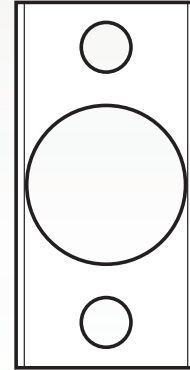
Deadbolt:

Part No. #157

Backset: Adjustable Backset 2-3/8" or 2-3/4"

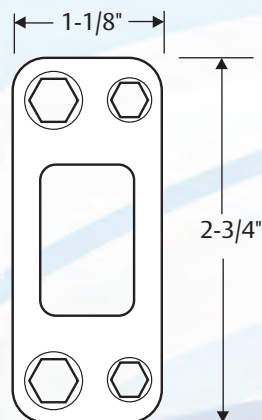


Spacer for 1-1/8" latch mortise.
Supplied with lock.

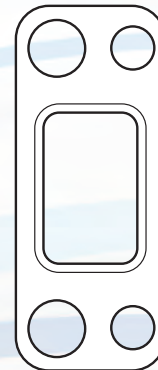


Strikes:

Part No. #394 (Includes the Frame Reinforcer)



Frame Reinforcer
supplied with lock.



Cylinder:

Part No. 95C-CS (CS Keyway)
95C (AR Keyway)

E Series Occupancy Indicator Deadbolt

Classic Product

The Arrow Occupancy Indicator deadbolt, available on the E Series Grade 2 Arrow Deadbolt, provides privacy control by utilizing a large external viewing window that signals when the room is occupied. The Arrow Occupancy Indicator uses an emergency key override to unlock the door from the outside in case of emergency. When the deadbolt is in the locked position, an external slot is exposed that provides for the use of the override key. When this key is used, the key is captured in the deadbolt and cannot be removed until the deadbolt is retracted or turned to the "Vacant" or unlocked position. This product is ideal for use in restroom facilities and other areas requiring visual notification of use and secured privacy.



Certification & Compliance:

- ANSI A156.5, Auxiliary Locks, Grade 2



General Specifications:

Housing – Two-piece housing, with free spinning outer ring to prevent wrenching. Concealed mounting screws standard on double cylinder functions.

Thru-bolting – supplied with two 1/4" (6.35mm) steel thru-bolts.

Deadbolt – 1" (25.40mm) throw, solid steel deadbolt with hardened, free spinning, steel pin insert.

Backset – 2-3/8" (60.32mm), 2-3/4" (69.85mm)

Deadbolt Fronts – 2-1/4" (57.15mm) x 1" (25.40mm) standard for 2-3/8" (60.32mm) backset, 2-1/4" (57.15mm) x 1-1/8"

(28.57mm) standard for 2-3/4" (69.85mm) backset. Drive-in deadbolts are available.

Doors – 1-3/8" (34.925mm) to 1-3/4" (44.45mm) thick standard.

Strikes – Supplied standard with the #346 wood frame strike. The #345 metal frame strike is optional.

Handing – All functions are reversible.

Emergency Key – The deadbolt can be unlocked from the outside with an emergency key.

Finishes:



	BHMA	U.S. Equivalent	Arrow Equivalent	Finish
1	605	US3	03	Bright Brass
2	606	US4	04	Satin Brass
3	609	US5	05A	Antique Brass
4	612	US10	10	Satin Bronze
5	613	US10B	10B	Dark Oxide Bronze, Oil Rubbed
6	614	US10BL	10BP	Dark Oxide Bronze, Clear Coated
7	619	US15	15	Nickel Plated
8	625	US26	26	Bright Chromium Plated
9	626	US26D	26D	Satin Chromium Plated

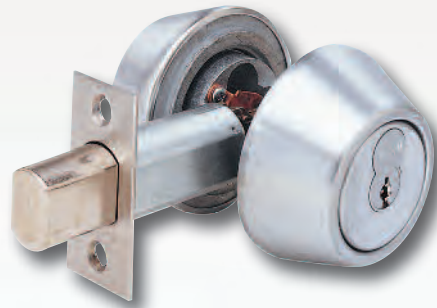
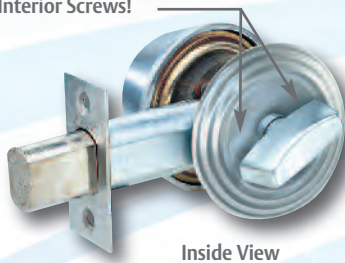
SFIC Management Control Deadbolt

Premier Product

The Arrow Management Control Deadbolt gives facility managers control on deadbolt installation and removal with our concealed mounting screws technology. The Arrow Management Control Deadbolt requires an operational control key in order to access the deadbolt attachment screws as illustrated below.

This product is ideal for use in multifamily housing applications including apartments, dormitories and military.

No Interior Screws!



D62IC Grade 1
Double Cylinder



D71IC Grade 1
Single Cylinder



E62IC Grade 2
Double Cylinder

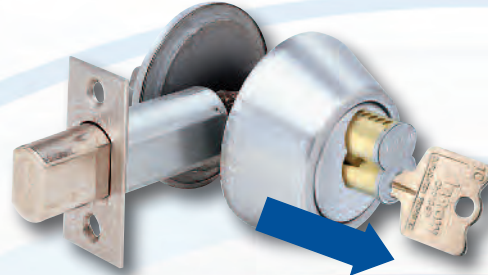


E71IC Grade 2
Single Cylinder

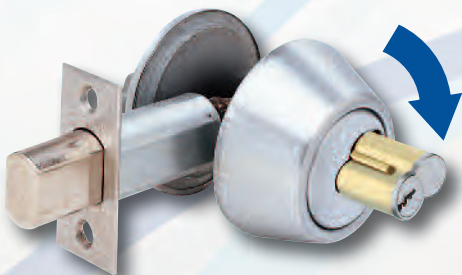
How to Remove the Deadbolt



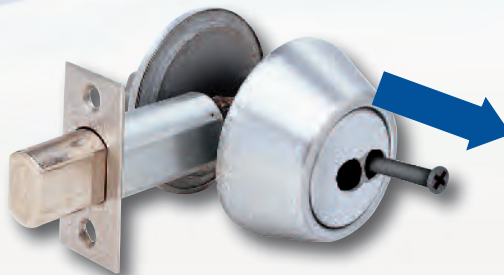
Step 1 – Use the Control Key and Rotate the Cylinder.



Step 2 – Remove the SFIC Cylinder.

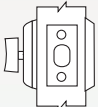
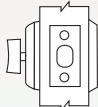
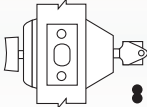
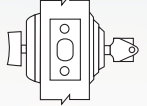
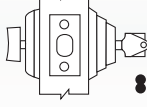
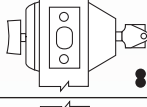
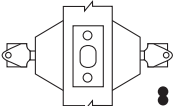
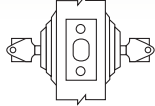
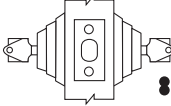
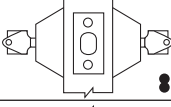
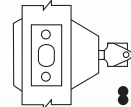
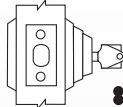
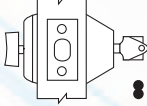
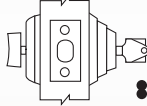
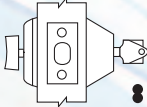
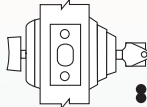
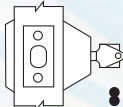
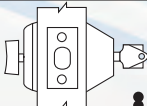



Step 3 – Using the end of the Cylinder rotate the face plate 90 Degrees.



Step 4 – Remove the Screw, Rotate the Plate 180 Degrees and Remove the other Screw. You may now remove the deadbolt.

D, E, DB Series Deadbolts

Grade 1		Grade 2		Function		Operation		
Arrow	BHMA	Arrow	BHMA			Inside	Outside	
D60	E0111		E60	E0112		Exit	Turnpiece Retracts & Projects Bolt	Blank Plate
D61	E0151		E41	E0152		Single Cylinder	Turnpiece Retracts & Projects Bolt	Key Retracts & Projects Bolt
			E61					
			DB61					
D62	E0141		E42	E0142		Double Cylinder	Key Retracts & Projects Bolt	Key Retracts & Projects Bolt
			E62					
			DB62					
D63	E0161		E63	E0162		Single Cylinder	Blank Plate	Key Retracts & Projects Bolt
D64	E0171		E64	E0172		Classroom	Turnpiece Retracts Bolt But Does Not Project Bolt	Key Retracts & Projects Bolt
D71-IC	E0151		E71-IC	E0152		Single Cylinder With Concealed Mounting Screws (IC Only)	Turnpiece Retracts & Projects Bolt	Key Retracts & Projects Bolt
D73-IC	E0161		—	—	—	Single Cylinder With Concealed Mounting Screws (IC Only)	Blank Plate	Key Retracts & Projects Bolt
D74-IC	E0171		E74-IC	E0172		Classroom With Concealed Mounting Screws (IC Only)	Turnpiece Retracts Bolt But Does Not Project Bolt	Key Retracts & Projects Bolt

E41 & E42 functions are not BHMA certified.

How to Order D, E, or DB Series Deadbolt:

Example: To order a D Series Single Cylinder Deadbolt, Satin Chromium Plated finish, 1-1/8" x 2-3/4" square corner strike, a 2-3/4" backset with 1-1/8" square corner latch, keyed different.

Specify: **D** **61** **26D** **346** **144** **KD**

| | | | | | |

Series Function Finish Strike Bolt Keying Cylinder

N Series Deadlock

Arrow N Series Mortise deadlock security and mortise cylinder convenience with interchangeable core compatibility.



Certification & Compliance:

- Underwriters Laboratories (UL and CUL) listed for use on A label or lesser doors when used in conjunction with a rated primary latching device

General Specifications:

Housing – Heavy wrought steel with zinc dichromate finish.
Deadbolt – 1" (25.40mm), throw solid brass deadbolt with hardened steel pin.

Backset – 2-3/4" (69.85mm).

Doors – 1-3/8" (34.92mm) to 1-3/4" (44.45mm) thick standard.

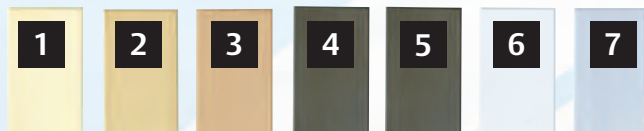
Strikes – Supplied standard with #380 security strike for steel frame and #356 security strike for wood frame.

Handing – All functions are reversible.

Cylinder, Standard accepts standard 1-1/8" mortise cylinder – Solid brass, Arrow "A" keyway, drilled for 6 pins, pinned to 5. Supplied with two brass keys.

Cylinder Option – Accepts 6 or 7 pin, small format, interchangeable cores. Supplied less cores. Will accept Best™ or Falcon™ type cores. ASSA high security cylinders are available.


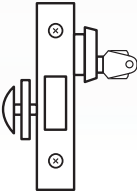
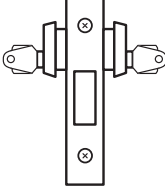
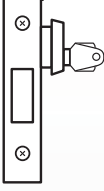
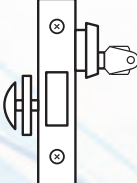
Finishes:



	BHMA	U.S. Equivalent	Arrow Equivalent	Finish
1	605	US3	03	Bright Brass
2	606	US4	04	Satin Brass
3	612	US10	10	Satin Bronze
4	613	US10B	10B	Dark Oxide Bronze, Oil Rubbed
5	613E	US10BE	10BE	Dark Oxide Bronze, Electroplated
6	625	US26	26	Bright Chromium Plated
7	626	US26D	26D	Satin Chromium Plated

N Series Deadlock

Functions:

ARROW	ANSI		FUNCTION	DESCRIPTION/OPERATION
N40			Exit	Throw or retract bolt by thumbturn only.
N41	E06071		Single Cylinder	Throw or retract bolt by key outside, thumbturn inside.
N42	E06061		Double Cylinder	Throw or retract bolt by key either side.
N43	E06081		Single Cylinder	Throw or retract bolt by key one side.
N44	E06091		Classroom	Throw or retract bolt by key—Thumbturn retracts dead bolt, but does not project it.

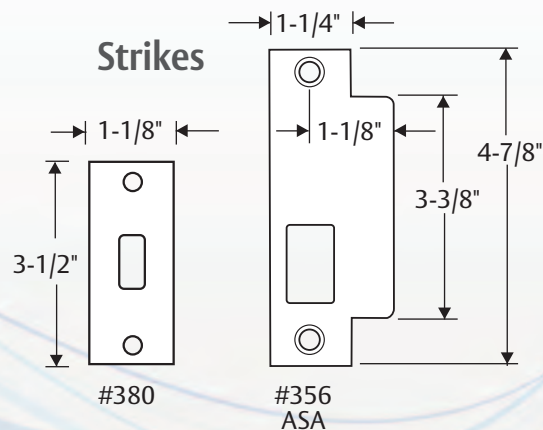
Order Example:

Example: To order a N Series Single Cylinder Deadlock, Satin Chromium Plated finish with a 1-1/8" x 3-1/2" square corner strike, a 1" deadbolt, keyed different.

Specify:

Standard: **N** **41** **26D** **380** **KA4**

Series Function Finish Strike Keying Cylinder



DC300 Series Door Closers

Value Product

The Arrow DC300 Series surface applied door closers are an economical value for customers requiring convenience and security in an affordable package. They are ideally suited for retail or office buildings.

Compliance:

- UL/cUL listed.
- UL10C listed for positive pressure to comply with UBC-72 (1997).
- Meets requirements of ANSI A156.4. Grade 1
- Adjustable size closers may be adjusted to meet requirements of ADA and ANSI ICC A117.1.



Look for the universal symbol next to Arrow products that comply with ADA accessibility requirements.

Sizes (Adjustable/Fixed):

- DC314 – Adjustable sizes 1 through 4.
- DC325 – Adjustable sizes 2 through 5.

Interior Door Width

	24" (610mm)	30" (762mm)	34" (865mm)	38" (965mm)	48" (1219mm)	54" (1372mm)
Regular Arm & Top Jamb	Size 1	Size 2	Size 3	Size 4	Size 5	
Parallel Arm	Size 2	Size 3	Size 4	Size 5		

Exterior (& Vestibule) Door Width

	24" (610mm)	30" (762mm)	36" (914mm)	42" (1067mm)
Regular Arm & Top Jamb	Size 3	Size 4	Size 5	
Parallel Arm	Size 4	Size 5		

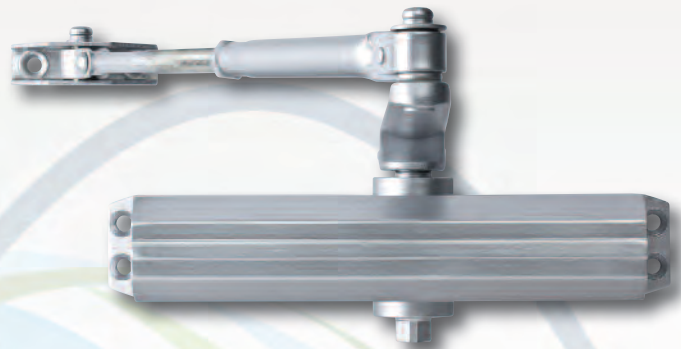
Features:

- Cast aluminum body.
- Hardened steel rack and pinion.
- High tensile steel springs.
- Staked valves
- Two non-critical adjusting valves (sweep and latch) control closing speed.
- Backcheck intensity valve.
- All temperature fluid.
- Full plastic cover available (sold separately).
- Non-handed for regular, top jamb and parallel arm mount applications.

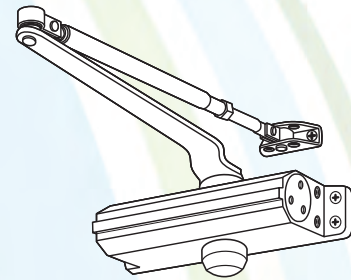
- Hold open arm available on adjustable closers – Specify: DC3xx-1.
- Supplied with fully threaded wood screws, machine screws and thru-bolts for 1-3/4" thick doors.
- Packaging: one per box and six boxes per carton.
- 10 year limited warranty.

Finishes:

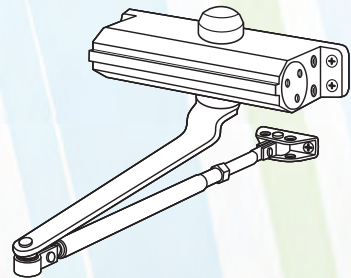
- Aluminum (689), Specify **AL**
- Dark Bronze (690), Specify **DBZ**



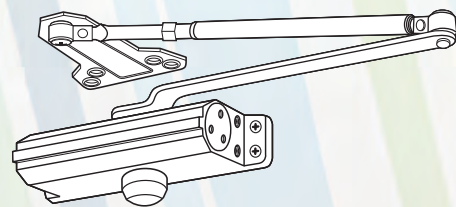
Regular Arm Installation



Top Jamb Installation



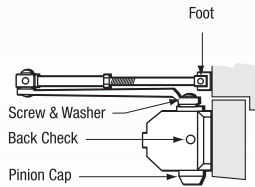
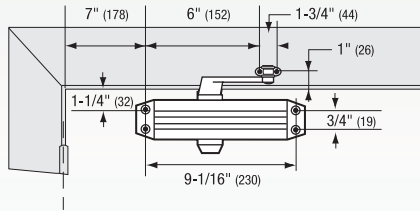
Parallel Arm Installation



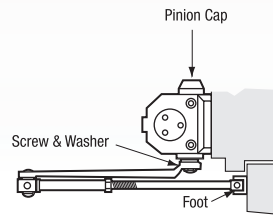
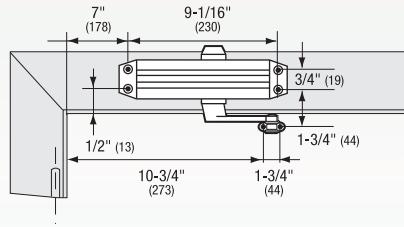
DC300 Series Door Closers

Value Product

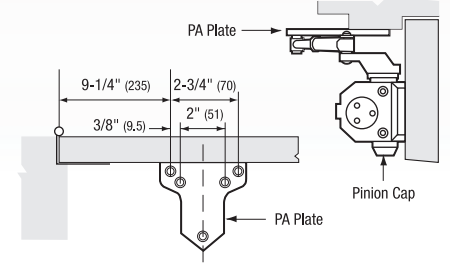
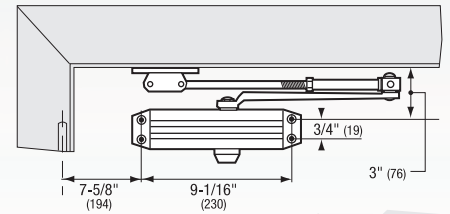
Regular Arm Installation



Top Jamb Installation



Parallel Arm Installation



How to order the DC300 Series

Ordering Example:

Quantity	Part Number	Finish
20	DC314-1	• AL

Complete Units:

	Part No.
Size 1-4, Standard Non-Hold Open Arm with PA Bracket	DC314
Size 1-4, Standard Hold Open Arm with PA Bracket	DC314-1
Size 2-5, Standard Non-Hold Open Arm with PA Bracket	DC325
Size 2-5, Standard Hold Open Arm with PA Bracket	DC325-1

Parts & Accessories:

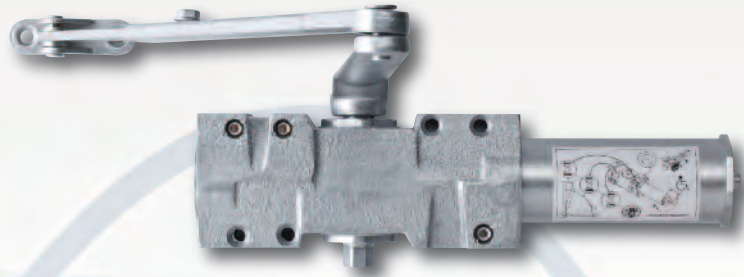
	Part No.
Full Plastic Cover, Screw Pack, 1-3/8" Thru-bolts	DC3CVR
Thru-bolts 2-1/4"	DC300TB2

Specify Finish **AL** or **DBZ**.

DC500 Series Door Closers

Classic Product

The Arrow DC500 Series Heavy Duty Surface Applied Door Closers are ideal for Institutions or other high traffic applications. The DC500 is designed for end users looking for value and versatility in a rugged design making this series suitable for a wide variety of applications.



Compliance:

- UL/cUL listed.
- UL10C listed for positive pressure to comply with UBC-72 (1997).
- Meets the requirements of ANSI A156.4 and ANSI ICC A117.1. Grade 1
- Meets ADA requirements (Americans with Disabilities Act).



Look for the universal symbol next to Arrow products that comply with ADA accessibility requirements.

Sizes (Adjustable):

- DC516 closers are adjustable for spring sizes 1 through 6.

Interior Door Width	24"	30"	34"	38"	48"	54"	60"
	(610mm)	(762mm)	(865mm)	(965mm)	(1219mm)	(1372mm)	(1524mm)
Regular Arm & Top Jamb	Size 1	Size 2	Size 3	Size 4	Size 5	Size 6	
Parallel Arm	Size 2	Size 3	Size 4	Size 5	Size 6		

Exterior (& Vestibule) Door Width	24"	30"	36"	42"	48"
	(610mm)	(762mm)	(914mm)	(1067mm)	(1219mm)
Regular Arm & Top Jamb	Size 3	Size 4	Size 5	Size 6	
Parallel Arm	Size 4	Size 5	Size 6		

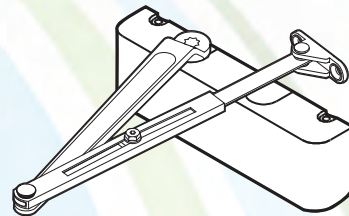
Features:

- Heavy duty cast iron body.
- Hardened steel rack and pinion.
- High tensile steel springs.
- Staked valves
- Two non-critical adjusting valves (sweep and latch) control closing speed.
- Backcheck intensity valve.
- All temperature fluid.
- Full plastic cover standard.
- Non-handed for regular, top jamb and parallel arm mount applications.
- Supplied with fully threaded self-reaming/tapping screws, sleeve nuts and thru-bolts for 1-3/4" thick doors.
- DC516-1 Series door closers are supplied with a hold open arm.
- DC516-2 has a heavy duty parallel arm with a stop feature for door openings between 90° and 110°.
- DC516-3 has a heavy duty parallel arm with a stop and thumb turn hold open feature for door openings between 90° and 110°.
- Packaging: one per box and four boxes per carton.
- 10 year limited warranty.

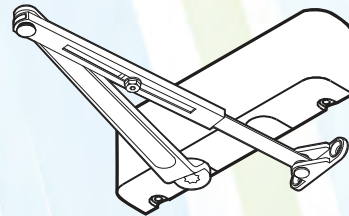
Finishes:

- Aluminum (689), Specify AL
- Dark Bronze (690), Specify DBZ

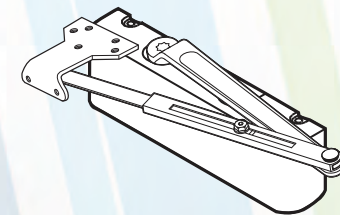
Regular Arm Installation



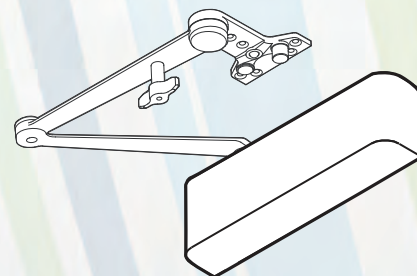
Top Jamb Installation



Parallel Arm Installation



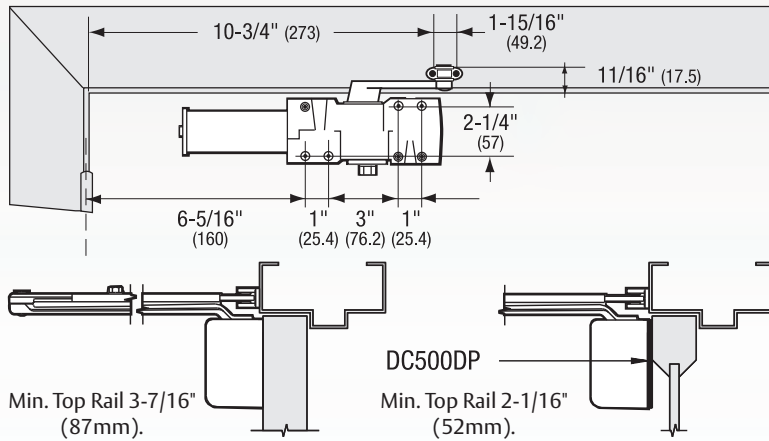
Heavy Duty Parallel Arm Installation



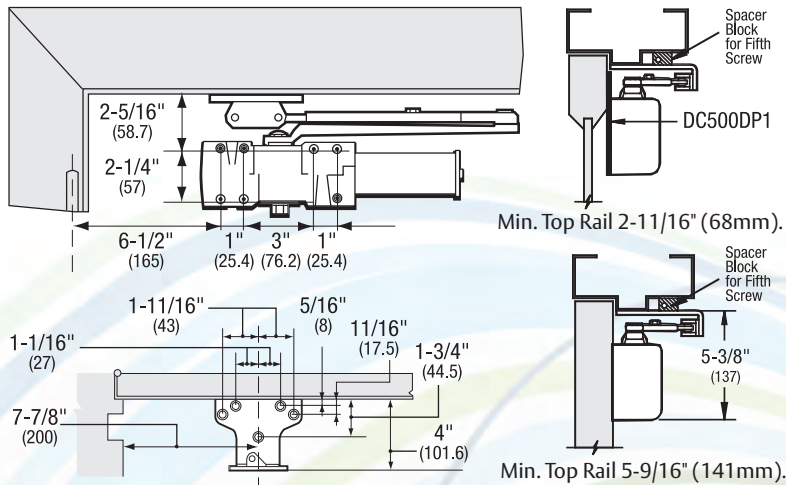
DC500 Series Door Closers

Classic Product

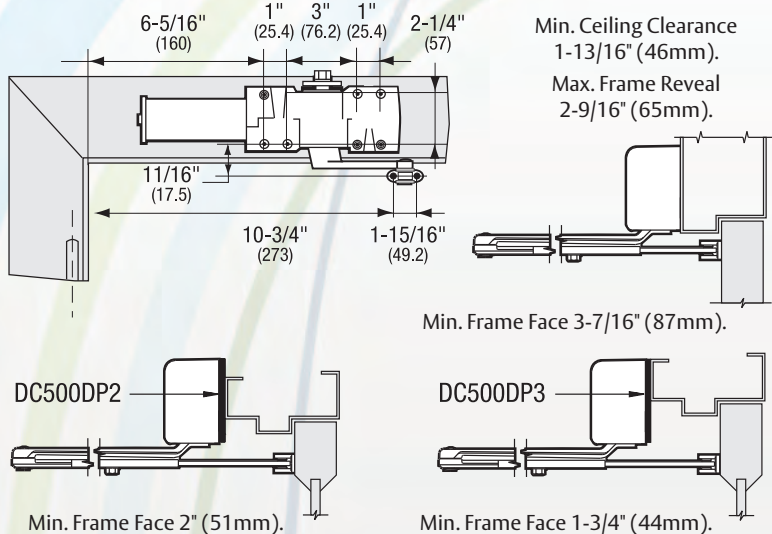
Regular Arm Installation



Parallel Arm Installation (180° maximum door swing template illustrated).

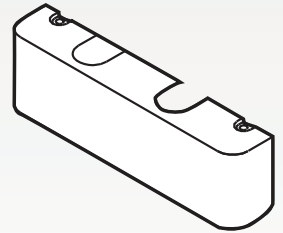


Top Jamb Installation

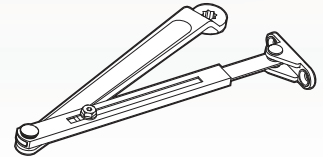


Parts:

Cover with Screw Pack
• DC500COV

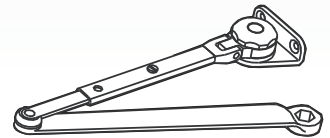


Non-Hold Open Arm (Standard with)
• DC516



(To order separately)
• DC500A

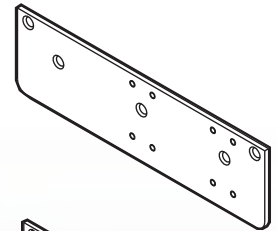
Hold Open Arm (Standard with)
• DC516-1



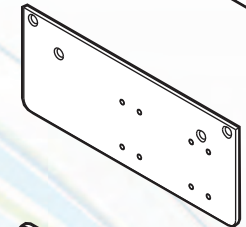
(To order separately)
• DC500A1

Drop Plates

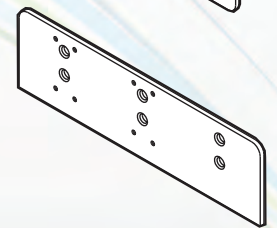
Regular Arm Application
• DC500DP



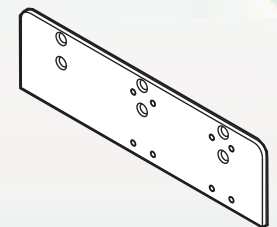
Parallel Arm Application
• DC500DP1



Top Jamb Application
• DC500DP2



Top Jamb Low Ceiling Application
• DC500DP3

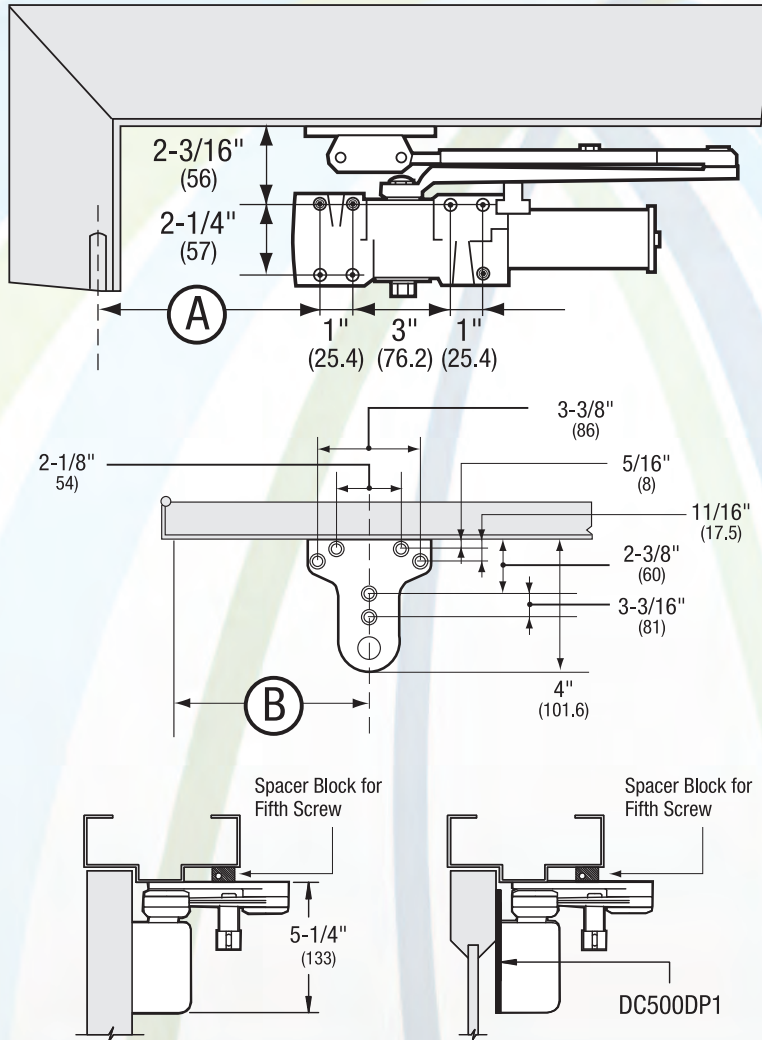


DC500 Series Door Closers

Classic Product

Heavy Duty Parallel Arm with a choice:

- DC516-2 – Non-Hold Open Arm with Stop Feature
- DC516-3 – Thumbturn Hold Open Arm with Stop Feature
- Door Closer can be installed to stop door at:
85°, 90°, 100° or 110° of door swing.



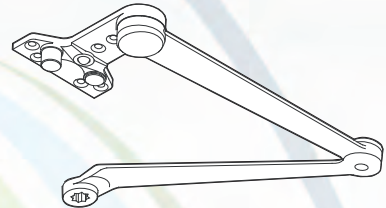
Parts:

Heavy Duty Parallel Arm Non-Hold Open with Stop Feature (Standard with)

- DC516-2

(To order separately)

- DC500A2

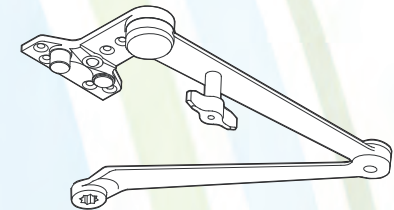


Heavy Duty Parallel Arm with Thumbturn Hold Open and Stop Feature (Standard with)

- DC516-3

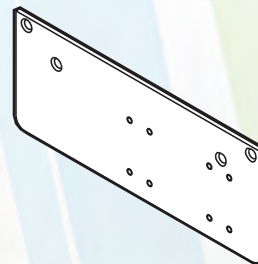
(To order separately)





- DC500A3



Drop Plate

- DC500DP1



"A" Dimension	9-1/2" (241)	8-3/4" (222)	7-5/8" (194)	6-5/8" (168)
"B" Dimension	11-1/8" (283)	10-1/2" (267)	9-1/4" (235)	8-3/8" (213)
Degree of Stop	85° 	90° 	100° 	110° 

DC500 Series Door Closers

Classic Product

How to order the DC500 Series

Ordering Example:

Quantity	Part Number	Finish
20	DC516-3	• AL

Complete Units:

	Part No.
Size 1-6, Non-Hold Open Arm with PA Bracket, Full Plastic Cover, Screw Pack, 1-3/4" Thru-bolts	DC516
Size 1-6, Hold Open Arm with PA Bracket, Full Plastic Cover, Screw Pack, 1-3/4" Thru-bolts	DC516-1
Size 1-6, Heavy-Duty Dead Stop NHO, Full Plastic Cover, Screw Pack, 1-3/4" Thru-bolts	DC516-2
Size 1-6, Heavy-Duty Dead Stop HO, Full Plastic Cover, Screw Pack, 1-3/4" Thru-bolts	DC516-3

Parts & Accessories:

	Part No.
Full Plastic Cover	DC500CV
Drop Plate - Regular	DC500DP
Drop Plate - Parallel Arm	DC500DP1
Drop Plate - Top Jamb	DC500DP2
Drop Plate - Top Jamb, Flush Ceiling	DC500DP3
Thru-bolts 1-3/4"	DC500TB1
Thru-bolts 1-3/8"	DC500TB3
Thru-bolts 2-1/4"	DC500TB2
Supplemental Reaming/Tapping Screw Pack	DC500SP1
Standard Screw Pack	DC500SP2
Standard Non-Hold Open Arm	DC500A
Standard Hold Open Arm	DC500A1
Heavy-Duty Dead Stop Arm Non-Hold Open	DC500A2
Heavy-Duty Dead Stop Arm Hold Open	DC500A3
Heavy-Duty Cushion Arm Kit	DC500A4
Heavy-Duty Hold Open Cushion Arm Kit	DC500A5

Specify Finish **AL** or **DBZ**.

900N Series Door Closers

Premier Product

The Arrow 900N Series Surface Applied Door Closers are ideal for dealers or end users looking for value and versatility in a compact design. The adjustable spring sizes and ADA barrier free accessibility make this Series ideally suitable for a wide variety of applications.

Compliance:

- UL/cUL listed.
- Meets the requirements of UL10C and UBC7.2 (1997) for positive pressure.
- Meets the requirements of ANSI A156.4 and ANSI ICC A117.1. Grade 1
- Meets ADA requirements (Americans with disabilities Act).



Look for the universal symbol next to Arrow products that comply with ADA accessibility requirements.

Sizes (Adjustable):

- 914N – Adjustable sizes 1 through 4.
- 936N – Adjustable sizes 3 through 6.

Interior Door Width	24"	30"	34"	38"	48"	54"	60"
	(610mm)	(762mm)	(865mm)	(965mm)	(1219mm)	(1372mm)	(1524mm)
Regular Arm & Top Jamb	Size 1	Size 2	Size 3	Size 4	Size 5	Size 6	
Parallel Arm	Size 2	Size 3	Size 4	Size 5	Size 6		

Exterior (& Vestibule) Door Width	24"	30"	36"	42"	48"
	(610mm)	(762mm)	(914mm)	(1067mm)	(1219mm)
Regular Arm & Top Jamb	Size 3	Size 4	Size 5	Size 6	
Parallel Arm	Size 4	Size 5	Size 6		

Features:

- Cast aluminum body.
- Hardened steel rack and pinion.
- High tensile steel springs.
- Staked valves
- Two non-critical adjusting valves (sweep and latch) control closing speed.
- Backcheck intensity valve.
- All temperature fluid.
- Non-handed for regular, top jamb and parallel arm mount applications.
- Hold open arm available: Specify "H" Suffix.
- Supplied with machine screws, fully threaded self-reaming/tapping screws, sleeve nuts and thru-bolts for 1-3/4" thick doors.

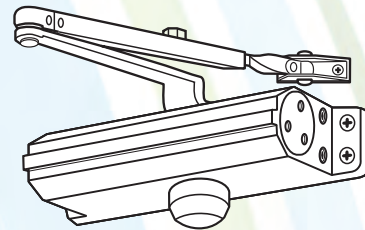
- Packaging: one per box and six boxes per carton.
- 10 year limited warranty.

Finishes:

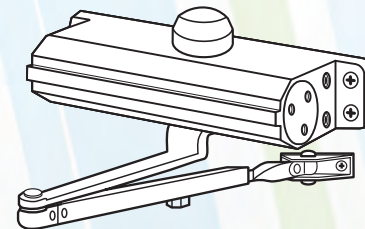
- Aluminum (689), Specify **AL**
- Dark Bronze (690), Specify **DBZ**
- Light Bronze (691), Specify **LBZ**
- Gold (696), Specify **GL**
- Black (693), Specify **BLK**



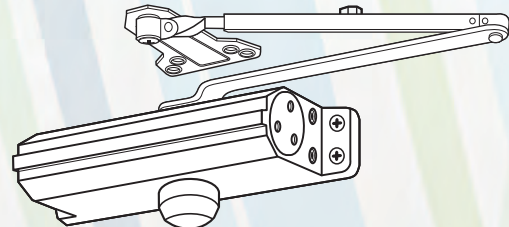
Regular Arm Installation



Top Jamb Installation

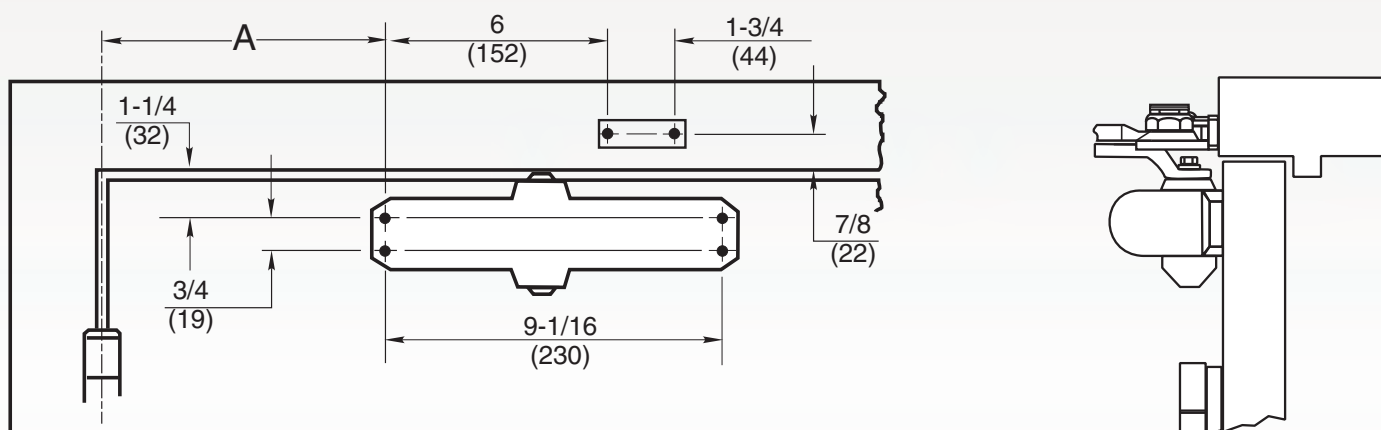


Parallel Arm Installation



900N Series Door Closers

Premier Product



How to order the 900N Series

Ordering Example:

Quantity	Part Number	Finish
20	936N	• AL

Complete Units:

	Part No.
Tri-Pack, Standard Arm, Sizes 1-4.....	914N
Tri-Pack, Standard Arm, Sizes 3-6.....	936N
Tri-Pack, Hold Open Arm, Sizes 3-6.....	936NH
Tri-Pack, Hold Open Arm, Sizes 1-4.....	914NH

Parts & Accessories:

	Part No.
Drop Plate.....	936DP
914N Closer Body Only.....	914BO
936N Closer Body Only.....	936BO
Through-Bolts for 1-3/8" Thick Door.....	5016TB38
Through-Bolts for 1-3/4" Thick Door.....	5016TB34
Complete Non-Hold Open Arm Assembly (tri-pack).....	5016CNA
Complete Hold Open Arm Assembly (tri-pack).....	5016CHA

Specify Finish: AL, DBZ, LBZ, GL, or BLK

5016N Series Door Closers

Premier Product

The Arrow 5016N Series Surface Applied Door Closers are ideal for use in commercial and institutional facilities where there is a demand for reliability and flexibility. Arrow offers multiple options for compliance with barrier-free codes for interior or exterior doors.

Compliance:

- UL/cUL listed.
- Meets the requirements of UL10C and UBC7.2 (1997) for positive pressure.
- Meets the requirements of ANSI A156.4 and ANSI ICC A117.1. Grade 1
- Meets ADA requirements (Americans with disabilities Act).



Look for the universal symbol next to Arrow products that comply with ADA accessibility requirements.

Sizes (Adjustable):

- 5016N– Adjustable sizes 1 through 6, Standard Arm or Hold Open Arm.

Interior Door Width	24"	30"	34"	38"	48"	54"	60"
	(610mm)	(762mm)	(865mm)	(965mm)	(1219mm)	(1372mm)	(1524mm)
Regular Arm & Top Jamb	Size 1	Size 2	Size 3	Size 4	Size 5	Size 6	
Parallel Arm	Size 2	Size 3	Size 4	Size 5	Size 6		

Exterior (& Vestibule) Door Width	24"	30"	36"	42"	48"
	(610mm)	(762mm)	(914mm)	(1067mm)	(1219mm)
Regular Arm & Top Jamb	Size 3	Size 4	Size 5	Size 6	
Parallel Arm	Size 4	Size 5	Size 6		

Features:

- Cast aluminum body.
- Hardened steel rack and pinion.
- High tensile steel springs.
- Staked valves
- Two non-critical adjusting valves (sweep and latch) control closing speed.
- Backcheck intensity valve.
- All temperature fluid.
- Available with a full plastic cover or a slim plastic cover (specify "S" suffix)..
- Non-handed for regular, top jamb and parallel arm mount applications.
- Hold open arm available on adjustable closers.

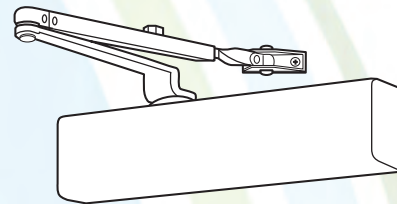
- Available with optional delayed action adjusted with separate independent valve. Delays door closing to allow unimpeded passage through the opening. Specify "D" suffix
- Supplied with machine screws, fully threaded self-reaming/tapping screws, sleeve nuts and thru-bolts for 1-3/4" thick doors.
- Packaging: one per box and four boxes per carton.
- 10 year limited warranty.

Finishes:

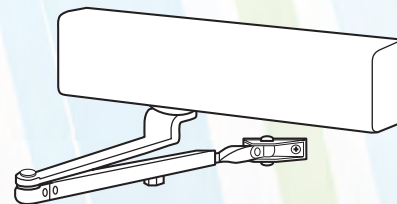
- Aluminum (689), Specify **AL**
- Dark Bronze (690), Specify **DBZ**
- Light Bronze (691), Specify **LBZ**
- Gold (696), Specify **GL**
- Black (693), Specify **BLK**



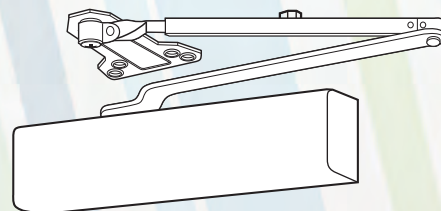
Regular Arm Installation



Top Jamb Installation

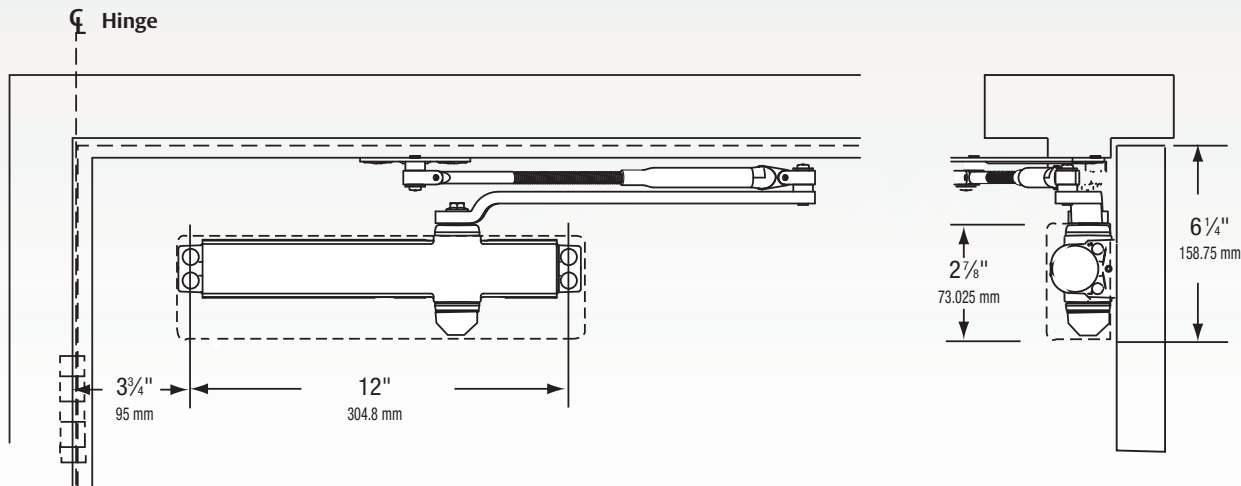


Parallel Arm Installation



5016N Series Door Closers

Premier Product



How to order the 5016N Series

Ordering Example:

Quantity	Part Number	Finish
20	5016N	• AL

Complete Units:

	Part No.
Tri-Pack, Slim Plastic Cover, Standard Arm, Sizes 1-6.....	5016NS
Tri-Pack, Full Plastic Cover, Standard Arm, Sizes 1-6	5016N
Tri-Pack, Slim Cover, Standard Arm, Sizes 1-6, Delayed Action	5016NSD
Tri-Pack, Full Cover, Standard Arm, Sizes 1-6, Delayed Action.....	5016ND
Tri-Pack, Slim Plastic Cover, Hold Open Arm, Sizes 1-6.....	5016NSH
Tri-Pack, Full Plastic Cover, Hold Open Arm, Sizes 1-6.....	5016NH
Tri-Pack, Slim Plastic Cover, Hold Open Arm, Sizes 1-6, Delayed Action.....	5016NSHD
Tri-Pack, Full Plastic Cover, Hold Open Arm, Sizes 1-6, Delayed Action	5016NHD

Parts & Accessories:

	Part No.
Drop Plate	5016DP
Full Plastic Cover.....	5016FC
Slim Plastic Cover	5016SC
5016N Closer Body Only.....	5016BO
5016N Closer Body Only with Delayed Action	5016BOD
Through-Bolts for 1-3/8" Thick Door	5016TB38
Through-Bolts for 1-3/4" Thick Door	5016TB34
Complete Non-Hold Open Arm Assembly (tri-pack)	5016CNA
Complete Hold Open Arm Assembly (tri-pack)	5016CHA

Specify Finish: AL, DBZ, LBZ, GL, or BLK

7800 & 7900 Powered Door Operators


Premier Product

The Arrow 7800 & 7900 Series Powered Door Operators are low-energy operators which function as standard spring-force closers during close cycles when a door is opened manually, or if power is lost or turned off.

The 7800 is a hard wired door operator ideal for doctors' offices, retirement facilities, schools, churches, and other applications where noise may be a concern. The 7900 Series builds off the platform of the 7800 but is supplied with a plug-in power cord.

Compliance:

- UL/cUL listed.
- Certified to ANSI/BHMA A 156.19 Meets ANSI/BHMA A 156.4 requirements.
- Meets ADA requirements (Americans with disabilities Act).

 Look for the universal symbol next to Arrow products that comply with ADA accessibility requirements.



Interior Door Width

	24" (610mm)	30" (762mm)	34" (865mm)	38" (965mm)	48" (1219mm)	54" (1372mm)	60" (1524mm)
Regular Arm & Top Jamb	Size 1	Size 2	Size 3	Size 4	Size 5	Size 6	
Parallel Arm	Size 2	Size 3	Size 4	Size 5	Size 6		

Exterior (& Vestibule) Door Width

	24" (610mm)	30" (762mm)	36" (914mm)	42" (1067mm)	48" (1219mm)
Regular Arm & Top Jamb	Size 3	Size 4	Size 5	Size 6	
Parallel Arm	Size 4	Size 5	Size 6		

Features:

- Ease of installation and setup
- Simple instructions
- Application versatility and ease of adjustment. Push or pull side mounted units available
- Operates as mechanical surface closer during close cycles, when door is opened manually or if power is interrupted
- Quiet operation
- Spring force provides the feel of a normal manual door closer
- Adjustable Spring Power
- Backcheck Valve
- Sweep Valve & Latch Valve
- Non-Handed
- Unit Activation Options:
 - Wall switches
 - Radio frequency device
- End-User On/Off Switch
- Hold Open options:
 - 0-30 seconds (5 seconds minimum required for ADA and ANSI/BHMA A156.19)

- Obstruction Detection:
 - Motor stops if door is obstructed during a powered opening cycle
 - Door closes under manual spring force (not to exceed 15lbs)
- Power Input: 120 VAC, 60Hz
- Current Draw: .6A
- Relay Output: DPDT
 - Normally Open/Normally Closed (jumper) for electric strike function
- On Board UL Listed Power Supply
 - Rated at 1.1 amps
 - 24VDC filtered and regulated voltage output
- 2-year warranty

Finishes:

- Aluminum (689), Specify AL
- Dark Bronze (690), Specify DB

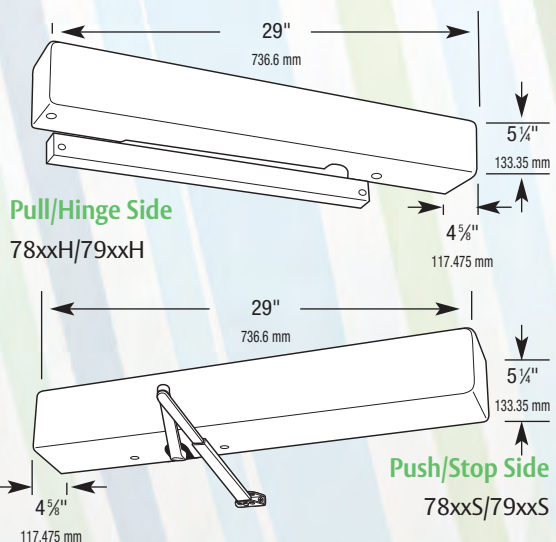


Introducing the Arrow 7900 Series Door Operator with Plug-in Power Cord!

Arrow is pleased to announce the addition of the 7900 series powered door operator to its product line. This series is an extension of the 7800 series but offers the convenience of a plug-in power cord, in lieu of the hard wire power input requirement for the 7800 series. The 7900 series, once installed, simply plugs into a code compliant 120 VAC power receptacle.



The power cord is only available on new 7900 Series products and cannot be added to 7800 Series operators. The offering is the same as our current non-power cord version (7800 Series) except that the part numbers begin with 79xx instead of 78xx.



7800 & 7900 Powered Door Operators

Premier Product

Standard Applications:



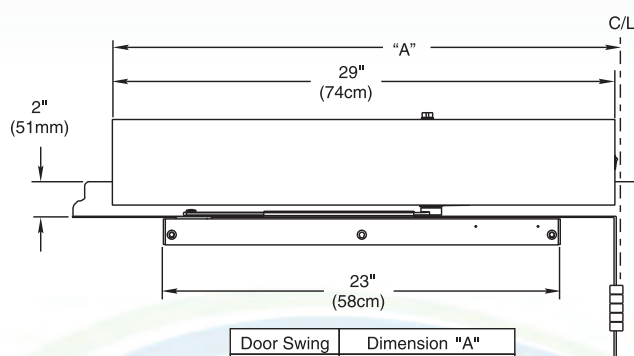
7814H/7836H/7914H/7936H

Hinge (Pull) Side of Door

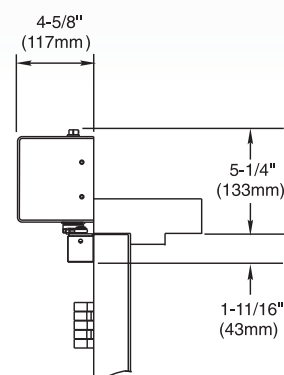
- Adjustable Stop
- 180° swing (trim permitting)

Minimum Door width
 Single Door – 29" (74cm)
 Double Door – 30" (76cm)

An auxiliary door stop is suggested where severe conditions exist, or door opens beyond 110°.



Door Swing	Dimension "A"
110	29-13/16" (76cm)
180	27-9/16" (70cm)



NOTE: Contact factory for use on doors exceeding 250 lbs.

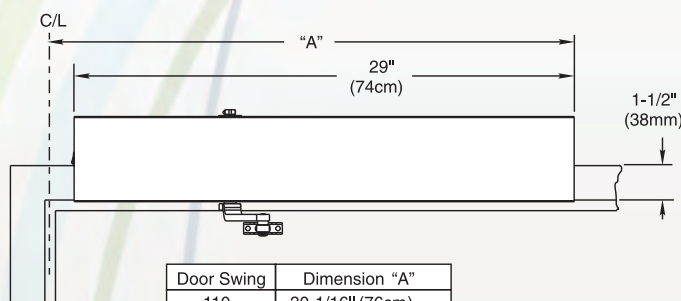


7814S/7836S/7914S/7936S

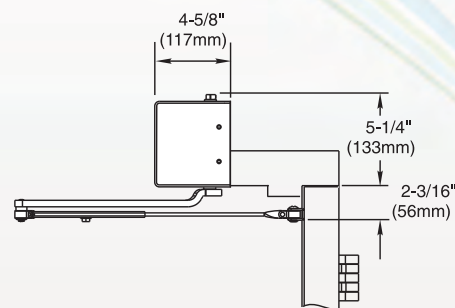
Stop (Push) Side of Door

Standard Duty Double Lever Arm

- Frame reveals 2-5/8" to 6-3/4" (67-171mm)
- An auxiliary door stop is required for these applications.
- 170° swing (trim permitting)



Door Swing	Dimension "A"
110	30-1/16" (76cm)
170	27-9/16" (70cm)



NOTE: Contact factory for use on doors exceeding 250 lbs.

7800 & 7900 Powered Door Operators

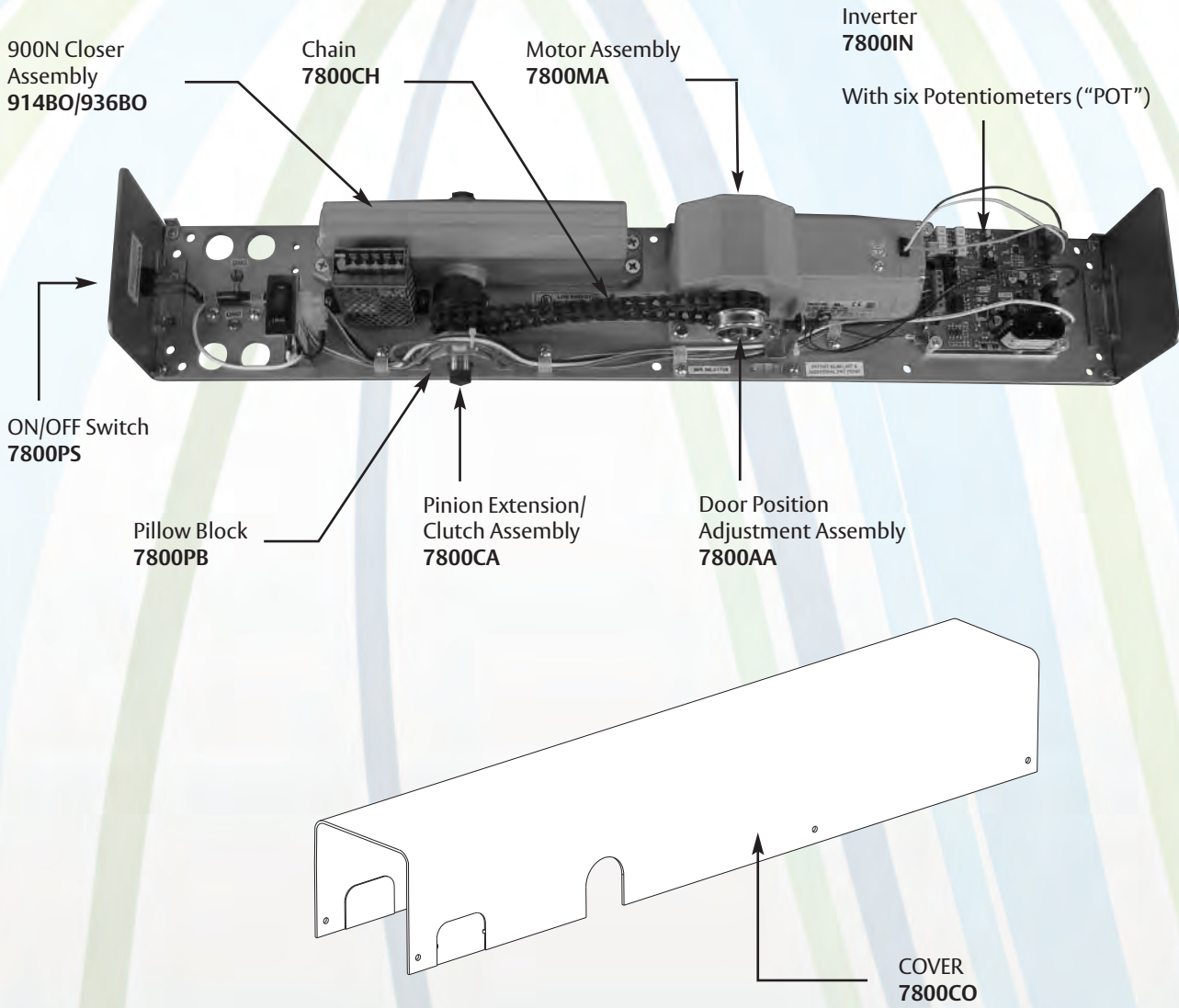
Premier Product

Internal Components & Mechanism:



- Circuit breaker
- Activation switch terminal
- Relay terminal

POT	DESCRIPTION
COMP	Motor Torque at Hold Open Position
ACC	Door Mounting (Factory Set)
DEC/B	Hold Open Time (5-30 Seconds)
MIN	Motor Reversing Speed
MAX	Door Open Speed
CL	Obstruction Detection on Open



7800 & 7900 Powered Door Operators

Premier Product

Parts & Accessories:

Arm and Track Assemblies



7800TC – Arm and Track Assembly
7800TA – Arm Assembly
7800TO – Track Assembly



7800SC – Arm Assembly
7800SA – Main Arm & Adjusting Tube
7800ST – Rod & Shoe

Signage

- Supplied standard



2 Per Operator



1 Per Switch



1 Per Switch

Push Switches

- 6-5/8" square (box); 8-1/8" square (trim)
- 9 volt battery for RF switches
- Temperature: -4° F to 122° F
- 15 amp @ 125VAC
- Flush or surface† mounted
- Stainless steel with blue letters
- 7800WSHR and 7800WSTR – radio frequency (433MHz)
- For units with radio frequency option having the 7800RK kit
- 7800WST and 7800WSH – hard wired*

* Switches may be installed with single or double gang electrical box using fasteners included.

† When surface mounted, switches project 2" from wall.



7800WSH, 7800WSHR



7800WST, 7800WSTR

Radio Frequency Kit

- Radio Frequency Receiver (433 MHz)
- 24 VDC power supply
- Activation switches not included.
- Order 7800KF, 7800T1, 7800T2, 7800WSHR, or 7800WSTR separately.



7800RK

Key Fob 7800KF

- Used with radio frequency option 7800RK kit



7800KF

Transmitters

- Single Channel 7800T1**
 - 2-3/8" w x 4-3/16" h x 15/16" d
- Two Channel 7800T2**
 - 2-3/8" w x 4-3/16" h x 15-16" d



A.
7800T1



B.
7800T2

7800 & 7900 Powered Door Operators

Premier Product

How to order the 7800 & 7900 Series

Ordering Example:

Quantity **Part Number** **Finish**
 20 7836H • AL

7800 & 7900 Series Powered Door Operators

Mount Application	Closer Size	Radio Frequency	2 Wall Switches	7800	7900
Hinge/Pull	1-4	✓		7814H	7914H
		✓	✓	7814HR	7914HR
		✓		7814HRP	7914HRP
	3-6	✓		7836H	7936H
		✓	✓	7836HR	7936HR
		✓		7836HRP	7936HRP
Stop/Push	1-4	✓		7814S	7914S
		✓	✓	7814SR	7914SR
		✓		7814SRP	7914SRP
	3-6	✓		7836S	7936S
		✓	✓	7836SR	7936SR
		✓		7836SRP	7936SRP
Universal	1-4	✓		7814U	7914U
	3-6	✓		7814UR	7914UR
		✓		7836U	7936U
				7836UR	7936UR

Accessories

Description	Radio Frequency	Switch Displays Handicap Icon	Part Number
6" x 6" Door Switch	✓		7800WSTR
	✓	✓	7800WSHR
		✓	7800WSH
			7800WST
Key Fob			7800KF
Single Channel Hand Held Transmitter			7800T1
Two Channel Hand Held Transmitter			7800T2
Radio Frequency Kit			7800RK
Mounted Sample Unit (includes 7800MK)			M7802
Display Mounting Kit			7800MK

Parts

Description	Part Number
Chain	7800CH
Motor Assembly	7800MA
Inverter	7800IN
On/Off Switch	7800PS
Pillow Block	7800PB
Pinion Extension Clutch Assembly	7800CA
Door Position Adjustment Assembly	7800AA
Cover	7800CO
Arm & Track Assembly	7800TC
Arm Assembly	7800TA
Track Assembly	7800TO
Standard Arm Assembly	7800SC
Main Arm & Rod	7800SA
Adjusting Tube & Shoe	7800ST

Complete Units, Specify Finish AL or DBZ.



ASSA ABLOY

7700 Powered Door Operator

Classic Product

The Arrow 7700 Series offers functionality and control at an affordable price. Ideal for retrofit applications, the 7700 Series converts interior, non-fire rated doors for ADA compliance easily and affordably while providing a simple way to achieve touchless environments in public restrooms. Furnished standard with a track assembly, the pull-side mounted unit can be operated manually or activated by wall switches, or radio frequency devices. Easy to install, set-up and adjust, the 7700 Series is perfect for ADA-compliant offices, classrooms and dorm rooms, and touch free applications like public restrooms, labs and examination rooms.




An optional plug in power cord model can be ordered. Plug in plate will be installed to the 7700 series by the factory.

Introducing the Arrow 7710P and 7710PRF1 Series Door Operator with an Optional Plug-in Power Cord!

Compliance:

- * ETL Certified
- * Meets the requirements of ANSI/U.L. standard 325 for automatic closing doors
- * Meets the requirements of ANSI/BHMA standard A117.1
- * Meets ADA requirements (Americans with Disabilities Act)

 Look for the universal symbol next to Arrow products that comply with ADA accessibility requirements.

Features:

- Pull side mounting
- Non-handed
- Quiet operation
- Electrically controlled backcheck, sweep and latch
- Activation options: wall switches, radio frequency devices
- Ease of installation and set-up
- On/Off Switch
- Hold open options: 0-30 seconds (5 seconds minimum required for ADA and ANSI/BHMA A156.19)
- Onboard 24VDC (1.1A) power supply for accessories
- Door closer mode for manual usage
- Electronic motor dampening
 - provides feel of normal, manual door closer
- Electric hardware and access control interface
- Optional AC power cord
- Push & Go
 - As the door is manually opened, the operator “senses” movement and opens door to the full-open position.

- Obstruction Detection
 - Motor stops if door is obstructed during opening
- Motor Start Delay
 - 0-5 second delay to allowing locking hardware to release first
- Overload Safety Shut-Off
 - After two minutes of receiving a door activation signal, the inverter will time out and close the door
 - Prevents motor/inverter damage
- Power Input; 120 VAC, 60Hz
- Current Draw: .6A
- Relay Output: SPDT
 - Normally Open/Normally Closed (jumper)
 - For electric strike function
- 1-year warranty

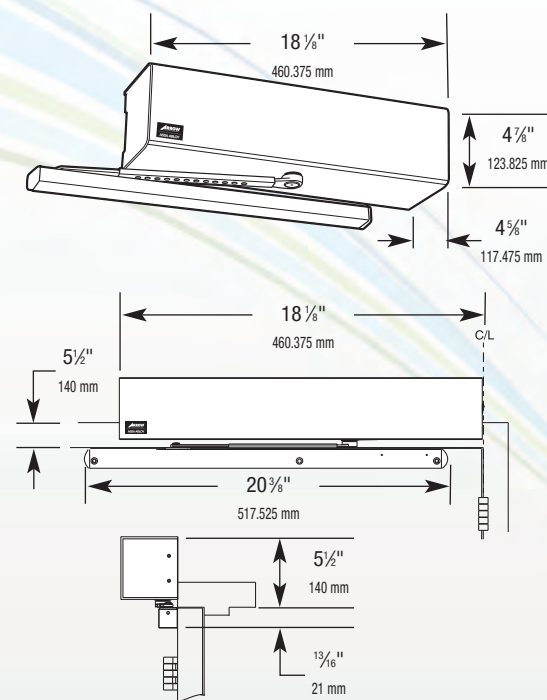
Finishes:

- Aluminum (689), Specify AL
- Dark Bronze (690), Specify DB

Arrow is pleased to announce the addition of the 7700 series powered door operator to its product line. The 7700 series requires hard wired installation with standard electric power. An optional plug in power cord model can be ordered (factory installed only) and will simply plug into a code compliant 120 VAC power receptacle.

Radio frequency can also be ordered as an additional feature for convenience. See the parts reference chart and ordering requirements for more information.

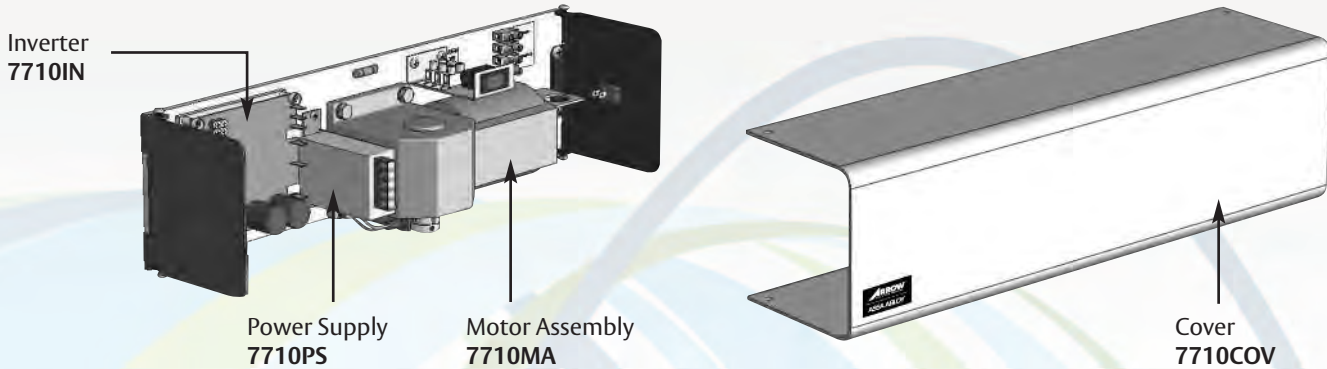
Pull/Hinge Side



7700 Powered Door Operator

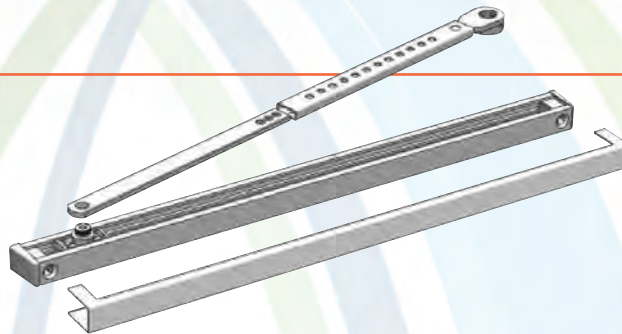
Classic Product

Internal Components & Mechanism:



Parts & Accessories:

7710-1 – Arm and Track Assembly



7800SW2,
7800SW3

Push Door Switches

- 6" width x 6" height
- 9 volt battery
- 15 amp @ 125VAC
- Flush or surface mounted
- Stainless steel with blue letters
- 7800SW1, 7800SW2 Radio frequency (433MHz). Used with RF1 option and 7710RK Radio Frequency Kit.
- 7800SW1, 7800SW2 – hard wired*



7800SW1,
7800SW4

* Switches may also be installed with single or double gang electrical box using fasteners included.



7710SW5

Touchless Wall Switch

- Single gang and double gang
- Doppler radar
- Sensor requires movement for activation
- Variable relay-hold time from 1 to 10 seconds
- Range of 2" to 24" – field adjustable
- 2-3/4" (Single); 4-1/2" (Double) w x 4-1/2" h.



7710RK

Radio Frequency Receiver

- Radio Frequency Receiver (433 MHz)
- Activation switches not included.



7710PC

Replacement Power Cord

18" power cord. This replacement can be ordered if the original is lost or damaged.

7700 Powered Door Operator

Classic Product

How to order the 7700 Series

Ordering Example:

Quantity	Part Number	Finish
20	7710	• AL

7700 Series Powered Door Operator

Mount Application	Radio Frequency	Part Number
Hinge (Pull) Side of Door		7710.AL
Hinge (Pull) Side of Door		7710.DBZ
Hinge (Pull) Side of Door with Radio Frequency	✓	7710RF1.AL
Hinge (Pull) Side of Door with Radio Frequency	✓	7710RF2.DBZ
Hinge (Pull) Side of Door with Power Cord		7710PC.AL
Hinge (Pull) Side of Door with Power Cord		7710PC.DBZ
Hinge (Pull) Side of Door with Radio Frequency & Power Cord	✓	7710PRF1.AL
Hinge (Pull) Side of Door with Radio Frequency & Power Cord	✓	7710PRF2.DBZ

Accessories

Description	Radio Frequency	Switch Displays Handicap Icon	Part Number
Door Switch – 6" x 6", Radio Frequency, ADA Symbol	✓	✓	7800SW2
SPDT Door Switch – 6" x 6", Hard Wired			7800SW4
Door Switch – 6" x 6", Radio Frequency	✓		7800SW1
SPDT Door Switch – 6" x 6", Hard Wired, ADA Symbol		✓	7800SW3
Touchless Wall Switch			7710SW5
Radio Frequency (RF1) Kit	✓		7710RK

Parts

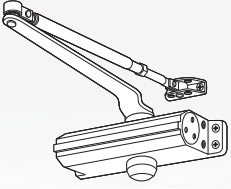
Description	Part Number
Power Cord	7710PC
Inverter	7710IN
Cover	7710COV.AL/DBZ
Screw Pack	77107710SP
Arm and Track Assembly	7710-1.AL/DBZ
Power Supply	7710PS

Complete Units, Specify Finish AL or DBZ.

Arrow Door Closers

Limited Warranty

DC300

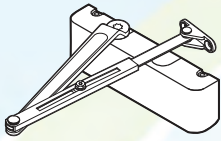


ARROW LOCK® warrants that its products sold under the “ARROW LOCK” trade name in the United States of America are free from defects in workmanship and materials under normal use and service.

This warranty does not cover defects or damage arising from improper installation, lack of or improper maintenance, improper storage, shipping and handling, corrosion, erosion, ordinary wear and tear, misuse, abuse, accident, unauthorized service, or use with unauthorized non-ARROW LOCK products or parts.

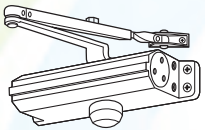
This warranty is void if any modification is made to the warranty product, regardless of whether the modification causes or contributes to the alleged defect. All modifications are made at the risk of the party making the modification.

DC500



The only liability of ARROW LOCK®, in tort or contract whether under this warranty or otherwise, shall be limited to the repair or replacement of any product or component part which shall prove defective as covered by this warranty, within the stated time period listed below, after delivery to the original purchaser.

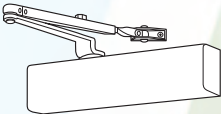
900N



- Door Closers – 10 years
- 7800 & 7900 – 2 Years
- 7700 – 1 Year

ARROW LOCK® will not pay for the cost of repair performed other than in accordance with this warranty.

5016N



Refer to our Returned Goods Policy regarding the return of a product or component part believed to be defective as covered by this warranty. A brief description of the defect will be required. Product will be examined upon return. In the event such examination reveals a defect covered by this warranty, the product will be repaired or replaced.

THIS WARRANTY IS IN LIEU OF ALL OTHER EXPRESS WARRANTIES. TO THE EXTENT PERMITTED BY LAW, ALL IMPLIED WARRANTIES ARE LIMITED TO THE DURATION OF THIS WARRANTY. ARROW LOCK® MANUFACTURING COMPANY SHALL NOT BE LIABLE FOR ANY INCIDENTAL OR CONSEQUENTIAL DAMAGES. NO AGENT, SALES REPRESENTATIVE OR DEALER HAS THE AUTHORITY TO INCREASE OR ALTER THE OBLIGATIONS OF THIS WARRANTY.

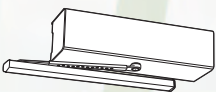
7800/7900



Pull/Hinge Side

SOME STATES DO NOT ALLOW LIMITATIONS ON HOW LONG AN IMPLIED WARRANTY LASTS OR THE EXCLUSION OR LIMITATION OF INCIDENTAL OR CONSEQUENTIAL DAMAGES, SO THE ABOVE LIMITATIONS OR EXCLUSIONS MAY NOT APPLY TO YOU.

7700



THIS WARRANTY GIVES YOU SPECIFIC LEGAL RIGHTS, AND YOU MAY ALSO HAVE OTHER RIGHTS WHICH VARY FROM STATE TO STATE.

100, 300, 400 Series Alarmed Hardware

Premier Product

130N Series exit alarm

General Specifications:

Chassis – Base is 8.3" L x 3.1" x 2.0" D

Power/Electronics – 9-Volt Alkaline battery (supplied).

Alarm/Horn – This alarm features a Peizo horn which blasts a deafening 105+ decibels to alert the violation. Manual or automatic alarm reset adjustable for 2, 5 or 10 minutes.

Cylinders – Each unit is supplied with keyed-alike cam lock to hold cover in place.

Mortise cylinder for interior arming/disarming and rim cylinder for exterior arming/disarming if required are ordered separately.

Features:

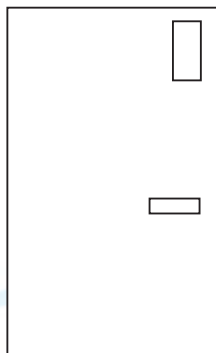
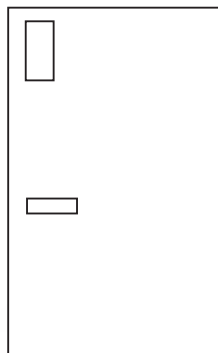
Adjustable REX and Passage Time Delay for 7, 10, 15, or 20 seconds. Adjustable LED's colors indicating armed or violated states.



Finishes:

TAN.

Typical Installation:



100, 300, 400 Series Alarmed Hardware

Premier Product

300 Series exit alarm

General Specifications:

Chassis—Paddle, chassis and cover made from a non-ferrous alloy. Cover 12-3/4" (323.85 mm) x 2" (50.8 mm) x 2-5/8" (66.67 mm); paddle projection 3-1/4" (88.25 mm); length to end of paddle 10-3/8" (263.52 mm).

Power/Electronics—9 volt battery powered. Modern solid state electronics.

Latch—3/4" (19.05 mm) latchbolt monitored by an electronic sensor switch. Any unauthorized movement of the latchbolt will cause unit to go into alarm.

Doors—For outward swinging doors 1-3/4" (44.45 mm) thick with a 4" minimum stile.

Alarm/Horn—Alarm sounds for 2 minutes, shuts off and automatically rearms itself. Piercing, dual frequency pulsating horns. Rated for 90 decibels at 6 feet.

Cylinders—Inside cylinder operation to arm or disarm unit using 1-1/8" (28.57 mm) mortise cylinder. (Order cylinder separately).

Hand—Reversible. Units are packed RHRB.

Features:

Model 330—Auto relatching.

Red LED indicator flashes when violation occurs. Light continues to flash beyond alarm cycle and can only be turned off by the inside key.

One chassis will accept all available trim options.

Unit must be activated to test available battery power.

Low battery alert feature causes unit to chirp intermittently to indicate low battery power.



Finishes

Powder coated painted finishes: AL, BRZ, RD.

Hardware finishes: US10, US10B, US26, US26D.

Certification and Compliance

 **UL listed.** Designed to meet ANSI 156.5-1984 and A117.1-1980 for Accessibility Standards.

400 Series exit alarm

General Specifications:

Chassis—Chassis and cover made from a non-ferrous alloy, 12-3/4" (323.85 mm) x 2" (50.8 mm) x 2-5/8" (66.67 mm).

Touchbar—Rolled steel touchbar assembly to fit 30" (762.0 mm) to 36" (914.40 mm) door furnished standard. Bars to fit 24" (609.60 mm) to 30" (762.0 mm) and 37" (939.80 mm) to 48" (1219.20 mm) available. Can be cut to size in the field. Specify door width.

Power/Electronics—9 volt battery powered. Modern, solid state electronics.

Latch—3/4" (19.05 mm) latchbolt monitored by an electronic sensor switch. Any unauthorized movement of the latchbolt will cause the unit to go into alarm.

Doors—for outward swinging doors 1-3/4" (44.45 mm) thick with 4" (101.60 mm) minimum stile.

Horn/Alarm—Piercing, dual frequency pulsating horns. Rated for 90 decibels at 6 feet. Alarm sounds for two minutes then, shuts down and rearms automatically. A 15 second delay feature allows authorized egress without sounding alarm.

Cylinders—Inside cylinder operation to arm or disarm unit using a 1-1/8" (28.57 mm) mortise cylinder. (Order cylinder separately).

Hand—Reversible. Unit is packed RHRB.

Features:

Model F430—Fire rated.

Model 430—Red LED indicator flashes when violation occurs. Light continues to flash beyond alarm cycle and can only be returned off by the inside key.

Units set up to accept outside cylinder operation as standard.

One chassis will accept all available trim options.

Unit must be activated to test available battery power.

Low battery alert feature causes unit to chirp intermittently to indicate low battery power.



Finishes:

Powder coated painted finishes: AL, BRZ, RD.

Hardware finishes: US10, US10B, US26, US26D.

Certification and Compliance:

 **UL listed for exit hardware.** Also available UL rated for fire exit hardware (Prefix "F" to model number).

Designed to meet ANSI 156.3-1984 and A117.1-1980 for Accessibility Standards.

Packed - 1 each.

100, 300, 400 Series Alarmed Hardware

Premier Product

100, 300, 400 Series trim

Exit Alarm Trim

Matching trim available to complement other series of cylindrical locks, BM Series Mortise locks, exit devices and alarms.

Finishes

Knobs: US3, US4, US10, US10B, US26, US26D

Lever: US26D, US10B

Plate: AL, BRZ

100, 300, 400 Series accessories

Functions

Passage – Trim always operative

Storeroom – Key retracts latch, key removable only when trim is locked

Classroom – Key locks/unlocks trim

Ordering Information:

Trim Type	Passage	Storeroom	Classroom
Lever	SRX01	SRX82	SRX87
Ball Knob	BD01	BD12	BD17
Tudor Knob	TA01	TA12	TA17
Plate	SF01	SF03	n/a

Thru Bolts

#S30 (300, 400 series, 1-3/4" doors).

#S32 (F-400 series, 1-3/4" doors).

Specify finish: AL, BRZ.

To add extra strength to mounting.

Narrow Stile Mounting Plates

#S73 (100 series).

#S74 (300 series).

#S75 (400 series).

Specify finish: AL, BRZ.

For doors with stile widths 1-3/4"–4".

Not for use with F-400 series.

Options:

Automatic Rearming

- Units are provided with spring loaded on/off switch. Switch automatically returns to the on position after removal of the key.
- Alarm can never be left off.
- Available for all alarm models.
- Prefix AR to catalog number.

Remote Monitor

- Alarm units are supplied with 8-foot leads of wire. Wire attached to the electronics assembly to allow monitoring from a remote location.
- Can be used in conjunction with Arrow S40 remote panel or with panel, light or bell provided by others.
- Closed loop circuitry provides highest security.
- Prefix RM to catalog number (not available on 110 or 130 models).

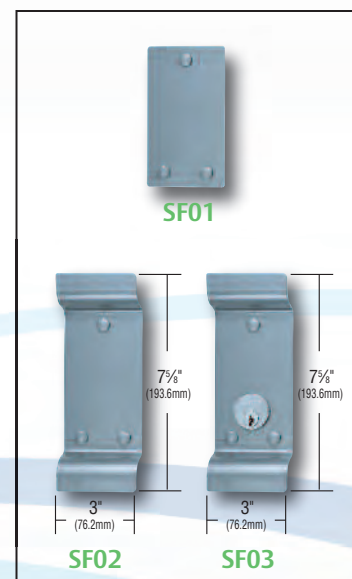
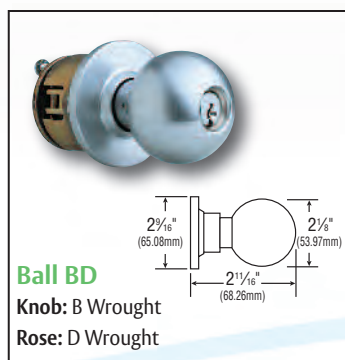
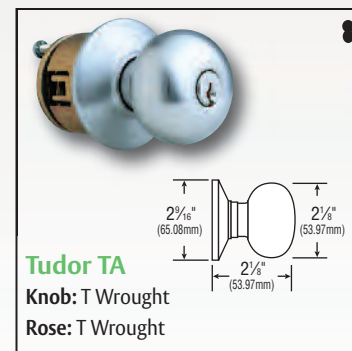
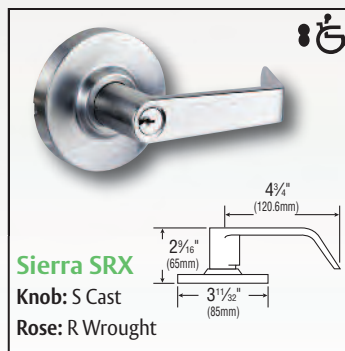
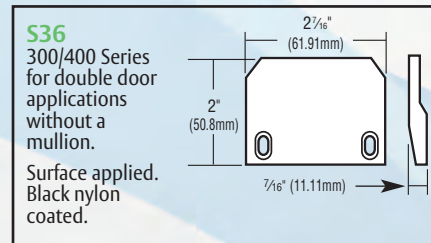
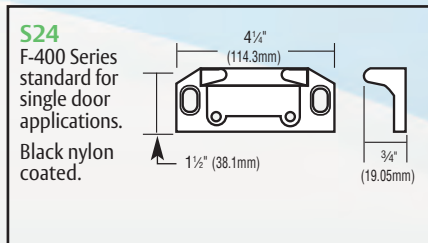
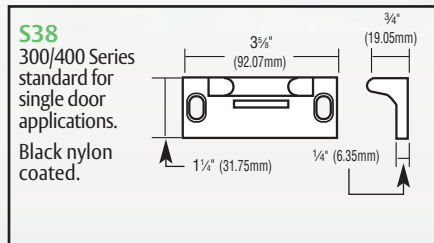
Continuous Alarm

- Horns will sound continuously after a violation has occurred—does not shut off after 2 minute alarm cycle.
- Only disarming by key operation will quiet the alarm.
- Remote power is recommended for units with this feature.
- Prefix CA to catalog number (not available on 110 or 130 models).

Remote Power

- Alarm units are supplied with 8-foot leads of wire. Wire attached to electronics assembly to power unit from an external source.
- Can be used in conjunction with Arrow S63 Hard Wired Battery Eliminator or by other remote 9V power source.
- Prefix RP to catalog number (not available on 110 and 130 models).

Strikes:



3000 Series Exit Devices

Premier Product

Certification & Compliance:

- ANSI/BHMA A156.3, Grade 1
- ANSI A117.1 Accessibility Code
- Underwriters Laboratories (UL and CUL) listed for accident hazard (panic) standard.
- Fire Exit hardware for hollow metal doors, UL and CUL listed for 3 hour, A label and lesser doors, Prefix "F" before part number.
- Fire Exit hardware for wood doors, listed up to 1-1/2 hour, B label doors.
- All exit devices comply with life safety code NFPA 101.
- All fire rated devices comply with fire door and window code NFPA80.

3880
Rim Exit Device



3900
Mortise Exit Device



3700 Surface
Vertical Rod Exit Device



General Specifications:

	3700	3880	3900
Chassis	Non-ferrous alloy	Non-ferrous alloy	Non-ferrous alloy
Chassis cover	Cold drawn brass, bronze or stainless steel	Cold drawn brass, bronze or stainless steel	Cold drawn brass, bronze or stainless steel
Door Types	Wood or metal	Wood or metal	Wood or Metal
Door Thickness	1-3/4" (44.45mm) standard up to 2-1/4" (57.15mm) available	1-3/4" (44.45mm) standard up to 2-1/4" (57.15mm) available	1-3/4" (44.45mm) standard up to 2-1/4" (57.15mm) available
Stile	4-1/2" (144.30mm) minimum with trim, 3-1/2" (88.90mm) minimum without trim.	See trim page for stile dimensions	4-1/2" (144.30mm) minimum
Mounting	Supplied with wood and machine screws. Available with thru bolts.	Supplied with wood and machine screws. Available with thru bolts	Supplied with wood and machine screws. Available with thru bolts.
Handing	Handed. Specify LHRB or RHRB	Handed. Specify LHRB or RHRB	Handed. Specify LHRB or RHRB.
Dogging	Allen type standard. Available with cylinder dogging (suffix "CD")	Allen type standard. Available with cylinder dogging (suffix CD)	Allen type standard. Available w/ cylinder dogging (suffix CD)
Top/Bottom Bolts	Brass	N/A	N/A
Latchbolt	N/A	Stainless steel, 3/4" (19.05mm) throw	Brass, 3/4" (19.05mm) throw
Rail	Roll-formed brass, bronze or stainless steel	Roll-formed brass, bronze or stainless steel	Roll-formed brass, bronze or stainless steel
Rail Projection	3-1/4" (82.55mm) maximum	3-1/4" (82.55mm) maximum	3-1/4" (82.55mm) maximum
Opening Height	90" (2286.00mm) standard	N/A	N/A
Fire Exit Hardware-up to:	4' x 8' single door 8' x 8' pairs of doors	4' x 8' single door 8' x 8' pairs of doors with S21 mullion.	4' x 10' single 8' x 10' pairs of doors (with 3600-FR) 8' x 8' pairs of doors (with 3700-FR)
Trim	See trim pages 110, 111	See trim pages 110, 111	See trim pages 110, 111
Finishes	AL, US3, US4, US10, US10B, US10BL, US32, US32D	AL, US3, US4, US10, US10B, US10BL, US32, US32D	AL, US3, US4, US10, US10B, US10BL, US32, US32D

Order Example:

Example: To order 3880 Rim Exit Device with SL Trim.

Specify:

Standard:

38	88	SL	26D	F	32D	RR	xxx
Series	Function	Outside Trim (If Applicable)	Outside Finish	Rail Size	Push Bar Finish	Handing	Options (If Required)

3000 Series Exit Devices

Premier Product

3000 Series Functions: Standard Strikes				
3700 Series	<p>S22 Top Strike</p> <p>Standard strike. Surface applied to stop. No mortise required. Black nylon coated.</p>	<p>S23 Bottom Strike</p> <p>Standard strike. Surface applied to threshold or floor. Black nylon coated.</p>	<p>S60</p> <p>For mounting top plate on doors with flush panel heads.</p>	
	<p>S43 Bottom Strike</p> <p>Standard for SB3700. Alternate for S3700. No mortise required. Black nylon coated.</p>			
3800 Series	<p>S38</p> <p>Standard strike for 3800. Surface applied.</p>	<p>S39</p> <p>Alternate for 3800. Fully mortised. Dimension "L" equal to 1/2" greater than door thickness. Nylon coating on lip only.</p>	<p>S36</p> <p>Double door strike. Alternate for 3800. Use on a pair of doors with a mullion.</p>	<p>S31</p> <p>Alternate for 3800. Half mortised. Nylon coating on face only.</p>
	<p>S48C</p> <p>Standard for S3900. Curved lip ANSI A115.1. Handed. 1 1/4" lip standard. Longer lips available in 1/4" increments up to 2 7/8".</p>	<p>S48</p> <p>Alternate for S3900. Flat lip ANSI A115.1. Non-handed. 1 1/4" lip standard. Longer lips available in 1/4" increments up to 2 7/8".</p>	<p>S47</p> <p>Alternate for S3900. Open back ANSI A115.14. Beveled 1/8" in 2". Handed. Specify hand of active door.</p>	
3900 Series				

4000 Series Exit Devices

Premier Product

Certification & Compliance:

- ANSI/BHMA A156.3, Grade 1
- ANSI A117.1 Accessibility Code
- Underwriters Laboratories (UL and CUL) listed for accident hazard (panic) standard.
- Fire Exit hardware for hollow metal doors, UL and CUL listed for 3 hour, A label and lesser doors, Prefix "F" before part number.
- Fire Exit hardware for wood doors, listed up to 1-1/2 hour, B label doors.
- All exit devices comply with life safety code NFPA 101.
- All fire rated devices comply with fire door and window code NFPA80.



4800
Narrow Stile Rim Exit Device



4900
Narrow Stile Mortise Device



General Specifications:

	4800	4900
Chassis	Non-ferrous alloy	Non-ferrous alloy
Chassis cover	Cold drawn brass, bronze or stainless steel	Cold drawn brass, bronze or stainless steel
Door Types	Wood, hollow metal or extruded aluminum	Wood or hollow metal
Door Thickness	1-3/4" (44.45mm) minimum	1-3/4" (44.45mm) standard, up to 2-1/4" (57.15mm) available
Stile	1-3/4" (44.45mm) minimum	4-1/2" (114.30mm) minimum
Mounting	Supplied with wood and machine screws. Available with thru bolts.	Supplied with wood and machine screws. Available with thru bolts.
Handing	Handed. Specify LHRB or RHRB	Handed. Specify LHRB or RHRB
Dogging	Allen-type standard. Available with cylinder dogging (suffix CD)	Allen-type standard. Available with cylinder dogging (suffix CD)
Top/bottom bolts	N/A	N/A
Latchbolt	Stainless steel, 3/4" (19.05mm) throw	Brass, 3/4" (19.05 mm) throw
Rail	Roll formed brass, bronze or stainless steel	Roll formed brass, bronze or stainless steel
Rail Projection	3-1/4" (82.55mm) maximum	3-1/4" (82.55mm) maximum
Opening Height	N/A	N/A
Fire Exit Hardware—up to:	N/A	4' x 8' single door 8' x 8' pairs of doors
Trim	See trim pages 110, 111	See trim pages 110, 111
Finishes	US3, US4, US10, US10B, US10BL, US32, US32D	US3, US4, US10, US10B, US10BL, US32, US32D

Order Example:

Example: To order 4800 Narrow Stile Rim Exit Device with SL Trim.

Specify:

Standard:	<u>48</u>	<u>08</u>	<u>SL</u>	<u>26D</u>	<u>F</u>	<u>32D</u>	<u>RR</u>	<u>xxx</u>
	Series	Function	Outside Trim (If Applicable)	Outside Finish	Rail Size	Push Bar Finish	Handing	Options (If Required)

S1150 & S1250 Series Exit Devices

Classic Product

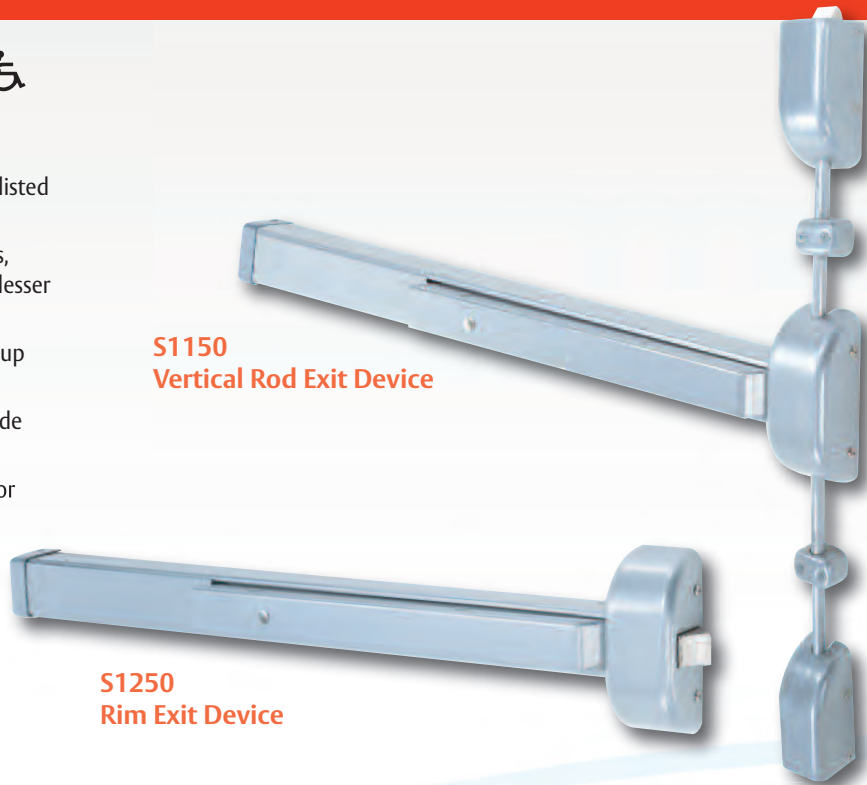
Certification & Compliance:

- ANSI/BHMA A156.3, Grade 1
- ANSI A117.1 Accessibility Code
- Underwriters Laboratories (UL and CUL) listed for accident hazard (panic) standard.
- Fire Exit hardware for hollow metal doors, UL and CUL listed for 3 hour, A label and lesser doors, Prefix "F" before part number.
- Fire Exit hardware for wood doors, listed up to 1-1/2 hour, B label doors.
- All exit devices comply with life safety code NFPA 101.
- All fire rated devices comply with fire door and window code NFPA80.



S1150
Vertical Rod Exit Device

S1250
Rim Exit Device



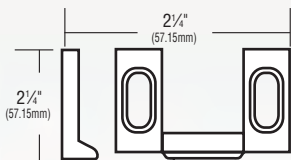
General Specifications:

	S1150	S1250
Chassis & Cover	Non-ferrous alloy	Non-ferrous alloy
End caps	Metal	Metal
Doors	1-3/4" (44.45mm) thick wood or hollow metal 3-3/4" minimum stile for single doors 3-1/2" (88.90mm) minimum stile for double doors	1-3/4" (44.45mm) thick wood or hollow metal 4-1/2" (114.3mm) minimum stile 4-5/8" for fire-labeled devices
Handing	Reversible	Reversible
Dogging	Allen-type key standard, cylinder available.	Allen-type key standard, cylinder available.
Top/Bottom Bolts/ Latchbolt	Brass 1/2" (12.7mm) throw top, 3/4" (19.05mm) bottom	3/4" (19.05mm) throw, stainless steel
Throughbolts	Order separately	Order separately
Rail Assembly	Steel	Steel
Rail Size	Furnished standard for doors up to 36", can be cut down to accommodate 32" doors. Alternate rail sizes available for narrow or wide doors	Furnished standard for doors up to 36", can be cut down to accommodate 32" doors. Alternate rail sizes available for narrow or wide doors
Rods	90"-extension kits available	N/A
Trim	See trim page 105	See trim page 105
Finishes	AL, BRZ, LBZ (sprayed finishes)	AL, BRZ, LBZ (sprayed finishes)

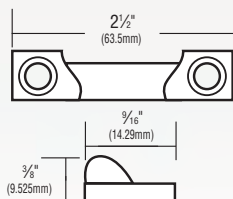
S1150 & S1250 Series Exit Devices

Classic Product

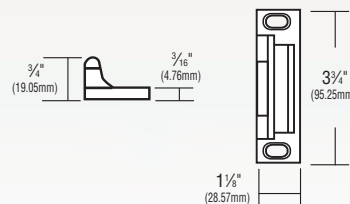
Strikes – S1150 Series:



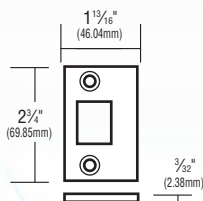
Standard Top Strike - S22
S22 top strike surface applied to stop, no mortise required. Black nylon coated, furnished standard.



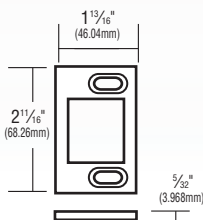
Standard Bottom Strike - S23
S23 bottom Strike surface applied to threshold or floor. Black nylon coated, furnished standard.



Fire Rated Top Strike - 646
Standard for FS1150. Surface applied. Nylon Coated.

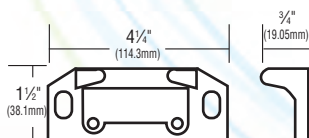


Fire Rated Bottom Strike - S65
Standard for FS1150. Flush mounted, stainless steel. Furnished with expansion shields.

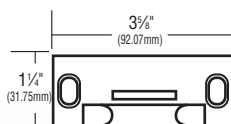


Sliding Bottom Bolt - S43
Alternate bottom strike for SVR.

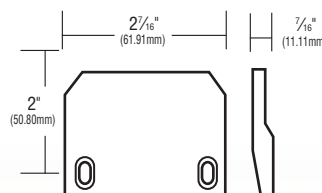
Strikes – S1250 Series:



Fire Rated Surface Strike - S24
Surface applied nylon coated for fire labeled S1250



Standard Surface Strike - S38
Surface applied furnished standard.



Double Door Strike - S36
Strike for double doors without mullion.

Parts:

Chassis Covers, End Caps & Dogging Key

	Part No.
Chassis cover for 1150	28-0018
Chassis cover for 1250	28-0013
End cap for 1150 & 1250	28-0012
End cap mounting bracket	68-0080
Dogging Key	97-0001

Rail Assemblies – Standard Rail, Sprayed Finish

24" - 32" Doors	PR-24
32-1/4" - 36" Doors	PR-36
36-1/4" - 48" Doors	PR-48
Add "F" prefix for fire rated	

Rail Assemblies – Rail with Cylinder Dogging, Sprayed Finish

24" - 32" Doors	PR-24 CD
32-1/4" - 36" Doors	PR-36 CD
36-1/4" - 48" Doors	PR-48 CD

Extension Rod Kit for S1150 Series

18 inch	VRX-18
24 inch	VRX-24

S1150 & S1250 Series Exit Devices

Classic Product

S1150 & S1250 Exit Device Trim:

Matching trim available to complement: cylindrical locks mortise locks, exit devices, and alarms.

Functions:

Passage – Trim always operative.

Storeroom – Key retracts latch, key removable only when trim is locked.

Classroom – Key locks/unlocks trim.

Ordering Information:

Trim Type	Passage	Storeroom	Classroom
Lever	SRX01	SRX82	SRX87
Ball Knob	BD01	BD12	BD17
Tudor Knob	TA01	TA12	TA17
Plate	SF01	SF12	n/a

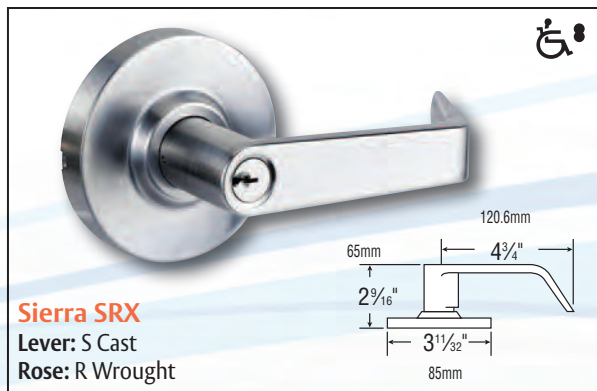
Finish:

Knobs: US3, US4, US10, US10B, US26, US26D

Levers: US26D, US10B

Plate: AL, BRZ

Lever Trim:



Knob Trim:

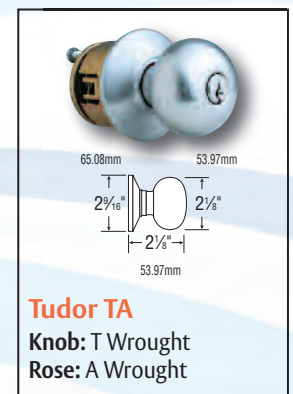
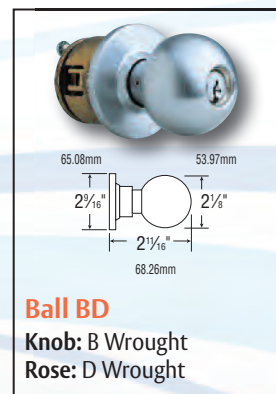
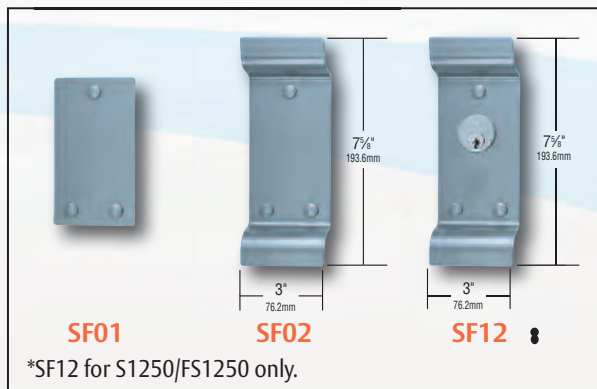


Plate Trim:



Lever Trim Cover Plate:



3000, 4000 Series Exit Devices

Arrow 3000 & 4000 Series

Exit Device Trim:

Optional Slip-Clutch Lever Design

- Optional slip-clutch is built in beneath security collar added to shank of lever.
- Available for use with SL88, SL33 and SL08 exit device trim for 3000 Series Exit Devices. (Not available for S1150 or S1250 Series devices.)



Vandal-resistant slip-clutch lever releases when excessive force is applied without retracting latch. Easily reset by returning lever to horizontal position.

Exit Device Type:

ANSI TYPE	ARROW DEVICE	
Type 1	Rim	S1250, 3800
Type 2	Surface Vertical Rod	S1150, 3700
Type 3	Mortise	3900
Type 4	Narrow Stile Rim	4800
Type 6	Narrow Stile Concealed Vertical Rod	4600
Type 8	Metal Door Concealed Vertical Rod	3600
Type 10	Narrow Stile Mortise	4900
Type 22	Removable Mullion	S20, S21

Exit Device Function:

ANSI	ARROW FUNCTION	
01	Exit only; no outside trim	01, 03
02	Entry by trim when actuating bar is locked	01, 02, 03
03	Entry by trim when latchbolt retracted by key. Key removable only when trim is locked.	03
05	Entry by thumbpiece when thumbpiece locked/unlock by key.	05
05A	Entry by thumbpiece; thumbpiece always operative, no outside cylinder.	5A
08	Entry by knob/lever; outside key locks, unlocks knob/lever.	08
08A	Entry by knob/lever; outside knob/lever always operative.	08A
11	Entry by auxiliary control turnpiece key locks, unlocks control.	11
12	Entry by auxiliary control turnpiece only when released by turning key. Key removable only when locked.	12

Exit Device Trim Functions:

Function	3700/3700-FR	3800/3800-FR	3900/3900-FR
02*	SP, SS, SB, SN, SL	SP, SS, SB, SN, SL	SP, SS, SB, SN, SL
03	N/A	SP, SS, SB, SN, SL	SP, SS, SB, SN, SL
05	SP, SS, SB, SN	SP, SS, SB, SN	SP, SS, SB, SN
05A	SP, SS, SB, SN	SP, SS, SB, SN	SP, SS, SB, SN
08	SL	SL	SL
08A	SL	SL	SL
11	S311	N/A	N/A
12	S312	N/A	N/A

Function	4800	4900/4900-FR
02*	SS, SL	SS, SN, SL
03	SS, SL	SS, SN, SL
05	N/A	SS, SN
05A	N/A	SS, SN
08	SL	SL
08A	SL	SL
11	N/A	N/A
12	N/A	N/A

*02 not available fire rated.

Order Example:

Example: To order.

Specify:

Standard:	<u>38</u>	<u>88</u>	<u>SL</u>	<u>26D</u>	<u>F</u>	<u>32D</u>	<u>RR</u>	<u>xxx</u>
	Series	Function	Outside Trim (If Applicable)	Outside Finish	Rail Size	Push Bar Finish	Handing	Options (If Required)

500 & 600 Series Exit Devices

Value Product

Certification & Compliance:

- ANSI/BHMA A156.3, Grade 1
- Underwriters Laboratories (UL and CUL) Listed for accident hazard (panic) standard.
- Fire Exit hardware for hollow metal doors, UL and CUL listed for 3 hour, A label and lesser doors, Suffix "-FR" after part number.
- Fire Exit hardware for wood doors, listed up to 1-1/2 hour, B label doors
- All exit devices comply with life safety code NFPA 101
- All fire rated devices comply with fire door and window code NFPA80.



600 Series
Vertical Rod Exit Device



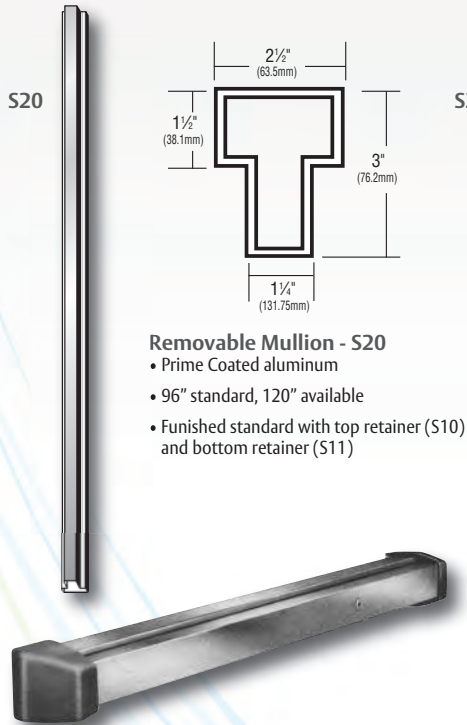
500 Series
Rim Exit Device

General Specifications:

	500	600
Chassis	Non-ferrous materials	Non-ferrous alloy
Chassis Cover	Black Lexan	Black Lexan
Door Type	Hollow metal or aluminum	Hollow metal or aluminum
Door Thickness	1-3/4" (44.5mm) thick doors standard. 500DK Kits available for use with 161 door prep	1-3/4" (44.5mm) thick doors standard. 500DK Kits available for use with 161 door prep
Stile	4-1/2" (114.30mm) minimum	3-1/2" (88.90mm) minimum
Mounting	Wood and Machine screws furnished standard	Wood and Machine screws furnished standard
Handing	Reversible	Reversible
Dogging	Hex-type hold down not available with fire rated devices	Hex-type hold down not available with fire rated devices
Latchbolt	Stainless Steel	Top bolt - stainless; Bottom bolt - brass, -FR top and bottom bolts - stainless
Rail Assembly	Powder Coated Steel	Powder Coated Steel
Fire Exit Hardware-up to:	4' x 8' single door, 8' x 8' pairs of doors	8' x 8'
Trim	See S1250 Series	See S1150 Series
Finishes	Exit devices & Pulls: AL & DBZ, Lever Trim 10B & 26D	Exit devices & Pulls: AL & DBZ, Lever Trim 10B & 26D
Strike	S38 Strike	Top 646, Bottom S23
Size		90" Standard, Optional door height available 96"
Door Width	530 Device is for 36" door can be cut for a minimum 30" door width. 540 Device is for 48" door can be cut for a minimum 37" door width	630/638 Device is for 36" door can be cut for a minimum 30" door width. 640/648 Device is for 48" door can be cut for a minimum 37" door width

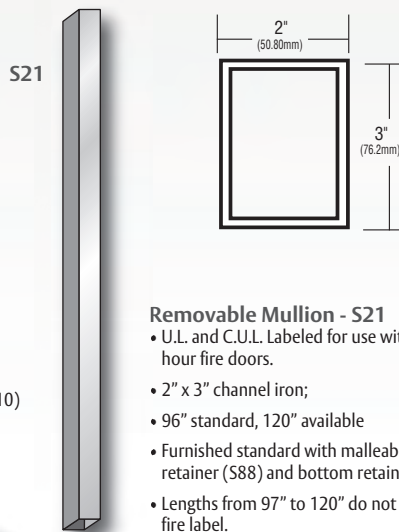
Mullions & Accessories Series Exit Devices

Mullions & Accessories:



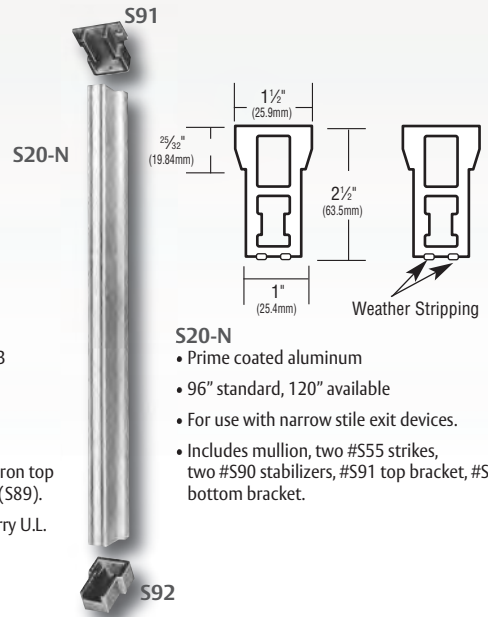
Removable Mullion - S20

- Prime Coated aluminum
- 96" standard, 120" available
- Finished standard with top retainer (S10) and bottom retainer (S11)



Removable Mullion - S21

- U.L. and C.U.L. Labeled for use with 3 hour fire doors.
- 2" x 3" channel iron;
- 96" standard, 120" available
- Furnished standard with malleable iron top retainer (S88) and bottom retainer (S89).
- Lengths from 97" to 120" do not carry U.L. fire label.



S20-N

- Prime coated aluminum
- 96" standard, 120" available
- For use with narrow stile exit devices.
- Includes mullion, two #S55 strikes, two #S90 stabilizers, #S91 top bracket, #S92 bottom bracket.

S3000 Dummy Rail

A non-functioning rail assembly for use on double doors. Matches S3000 and S4000 series exit devices. Available in sizes 24 (for 24"-29" doors), 36 (for 30"-36" doors), 48 (for 37"-48" doors). Bars can be cut down in the field. For stile width under 4-1/2", specify next larger size. Available in finishes - 3, 4, 10, 10B, 32, 32D, AL, BRZ.



Cylinder Dogging Rail

- Optional cylinder dogging available



VRX-18 Rod Extension

- Prime Coated aluminum
- 96" standard, 120" available
- Furnished standard with top retainer (S10) and bottom retainer (S11)



Mullions:

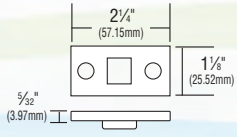
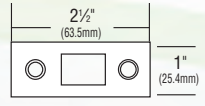
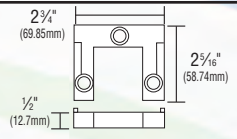
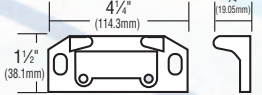
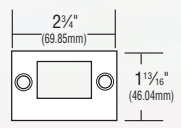
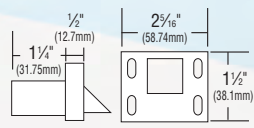
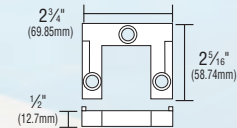
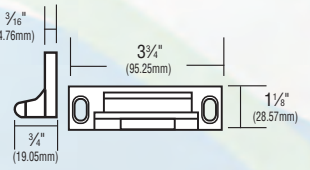
Description	Part No.
Removable mullion - 96"	S20
Removable Mullion - 120"	S20-120
Key removable mullion - 96", less cylinder	S20-K
Removable mullion for narrow stile - 96"	S20-N
Removable mullion for narrow stile - 120"	S20-N-120
Fire-rated removable mullion - 96"	S21
Fire-rated key removable mullion - 96", less cylinder	S21-K
Top retainer for S20	S10
Bottom retainer for S20	S11
Top retainer for S20-N	S91
Bottom retainer for S20-N	S92
Stabilizer for S20-N	S90
Top retainer for S21	S88
Bottom retainer for S21	S89

Fire Labeled Hardware Exit Devices

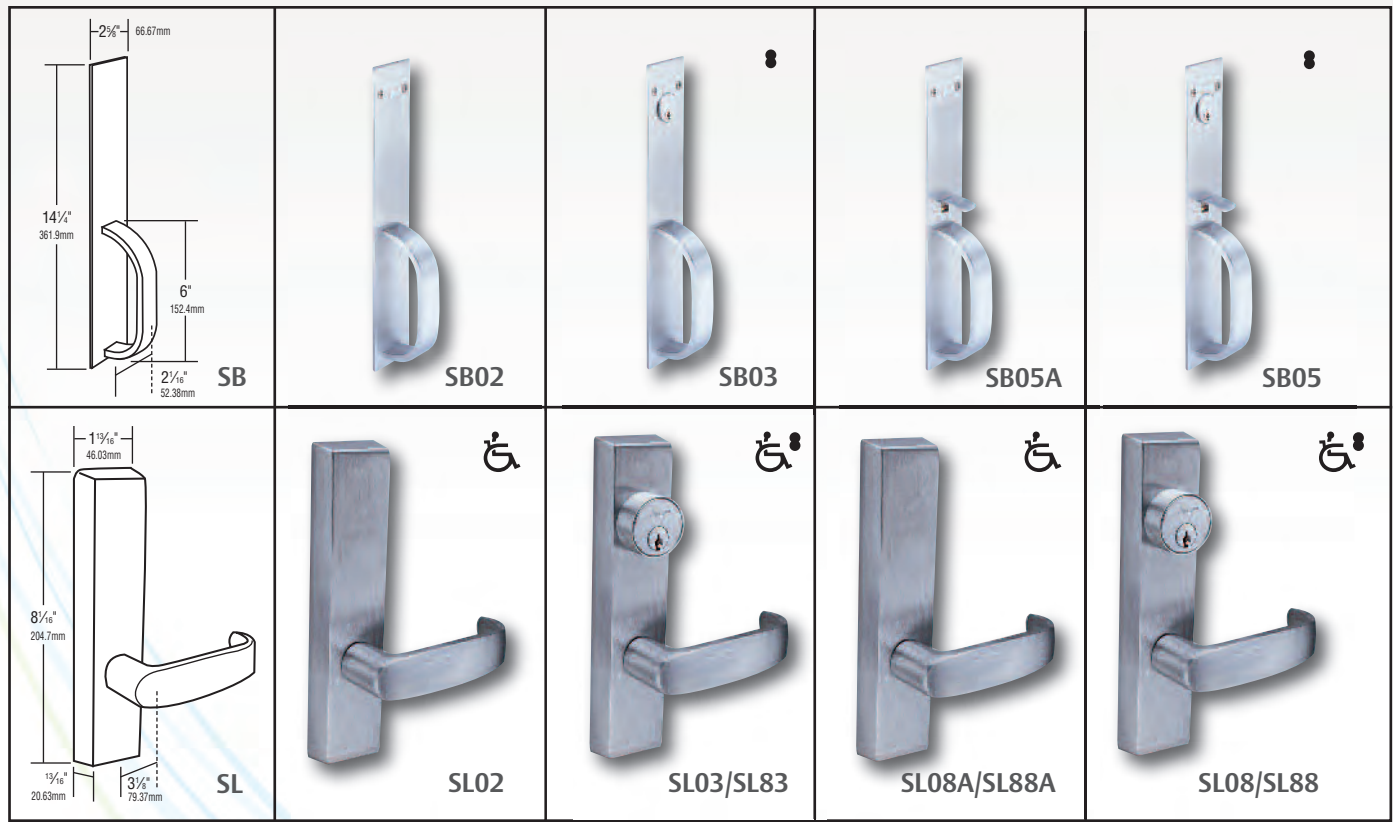
Selection chart for A through E labeled doors

For reference only. Refer to latest UL building materials list for complete information.














Application	Type	Narrow Device	Standard Device	Maximum Door Opening
Single Door	Rim	—	FS1250 1800-FR 3800-FR	4'0" x 8'0"
	Mortise	4900-FR	1900-FR 3900-FR	4'0" x 8'0"
Double Doors with S21 Mullion	Rim	—	FS1250 x FS1250 1800-FR x 1800-FR 3800-FR x 3800-FR	8'0" x 8'0"
	Mortise x concealed vertical rod	4900-FR x 4600-FR	3900-FR x 3600-FR	8'0" x 8'0"
Double Doors without Mullion	Mortise x surface vertical rod	—	1900-FR x 1700-FR 3900-FR x 3700-FR	8'0" x 8'0"
	Two concealed vertical rod	4600-FR x 4600-FR	3600-FR x 3600-FR	8'0" x 8'0"
	Two surface vertical rod	—	FS1150 x FS1150 1700-FR x 1700-FR 3700-FR x 3700-FR	8'0" x 8'0" (B-E)
Double Egress Doors	Two concealed vertical rod	4600-FR x 4600-FR	3600-FR x 3600-FR	8'0" x 7'2" (A) 8'0" x 8'0" (B-E)
	Two surface vertical rod	—	FS1150 x FS1150 1700-FR x 1700-FR 3700-FR x 3700-FR	8'0" x 7'2" (A) 8'0" x 8'0" (B-E)

 <p>S13 Bottom Strike Stainless steel. Furnished with expansion shields. Stainless steel.</p>	 <p>S14 For application to wood or hollow metal doors.</p>	 <p>S15 Bottom Strike Alternate for 1700-FS. For use on 1/2" threshold. Stainless steel. Furnished with expansion shields.</p>	 <p>S24 F-400 Series standard for single door applications. Black nylon coated.</p>
 <p>S45 Standard for F-S1700. Flush mounted. Stainless steel. Furnished with expansion shields.</p>	 <p>S46 Bottom Strike Standard for F-S1150, F-S3700. Flush mounted. Furnished with expansion shields. Stainless steel, black nylon coated.</p>	 <p>S58 Bottom Strike Alternate for F-S1150, 3700-FS. For use on 1/2" threshold. Stainless steel, nylon coated. Furnished with expansion shields.</p>	 <p>646 Fire Rated Top Strike Standard for FS1150 and 3700-FR. Surface applied. Nylon Coated</p>

Exit Device Trim



Exit Device Trim

	<p>Auxiliary Outside Control</p>	 <ul style="list-style-type: none"> • S311—Use with S3700, FS3700, S1700, FS1700. Key locks or unlocks turn lever. S312—Use with S3700, FS3700, S1700, FS1700. Turn lever operative only with key in cylinder and turned. S411—Use with S3600, FS3600, FS4600. Key locks or unlocks turn lever. S412—Use with S3600, FS3600, FS4600. Turn lever operative only with key in cylinder and turned. S511—Use with S4600. Key locks or unlocks turn lever. S512—Use with S4600. Turn lever operative only with key in cylinder and turned. 		
<p>SP</p>	 <p>SP02/SP82</p>	 <p>• SP03/SP83</p>	 <p>SP05A</p>	 <p>• SP05</p>
<p>SS</p>	 <p>SS02/SS82</p>	 <p>• SS03/SS83</p>	 <p>SS05A</p>	 <p>• SS05</p>
<p>SN</p>	 <p>SN02/SN82</p>	 <p>• SN03/SN83</p>	 <p>SN05A</p>	 <p>• SN05</p>

Exit Device Selection Chart

For reference only. Refer to latest UL building materials list for complete information.

Application	Type	Narrow Stile Touch Bar	Standard Touch Bar	Crossbar
Single Door Mortise	Rim	4800	S1250, FS1250 3800, 3800-FR	—
	Vertical Rod	—	S1150, FS1150 3700, 3700-FR	Mortise
	Mortise	4900, 3900-FR	3900, 3900-FR	Mortise
Double Doors with Mullion	Rim	4800 x 4800 with S20-N mullion	S1250 x S1250 3800 x 3800 with S20 mullion FS1250 x FS1250 3800-FR x 3800-FR with S21 mullion	Mortise
Double Doors without Mullion	Concealed Vertical Rod	4600 x 4600	3600 x 3600	Mortise
	Vertical Rod	—	S1150 x S1150 FS1150 x FS1150 S3700 x S3700 3700-FR x 3700-FR	Mortise
	Vertical Rod x Mortise	—	3700 x 3700 3700-FR x 3700-FR	Mortise





ASSA ABLOY

ARROW USA

Phone: 800-839-3157

Fax: 800-421-6615

ARROW CANADA

Phone: 1-888-633-3264

Fax: 1-888-263-3326

Visit us at our Website:

www.arrowlock.com

For more information regarding
Arrow locksets, exit devices,
door closers and key systems,
contact your authorized
Arrow distributor.



Facebook: www.facebook.com/arrowrevolution



Twitter: www.twitter.com/arrowrevolution



YouTube: www.youtube.com/revolutionbyarrow



E-Newsletter Signup: www.arrowlock.com/newsletter

ASSA ABLOY is the
global leader in door
opening solutions
dedicated to satisfying
end-user needs for
security, safety and
convenience.