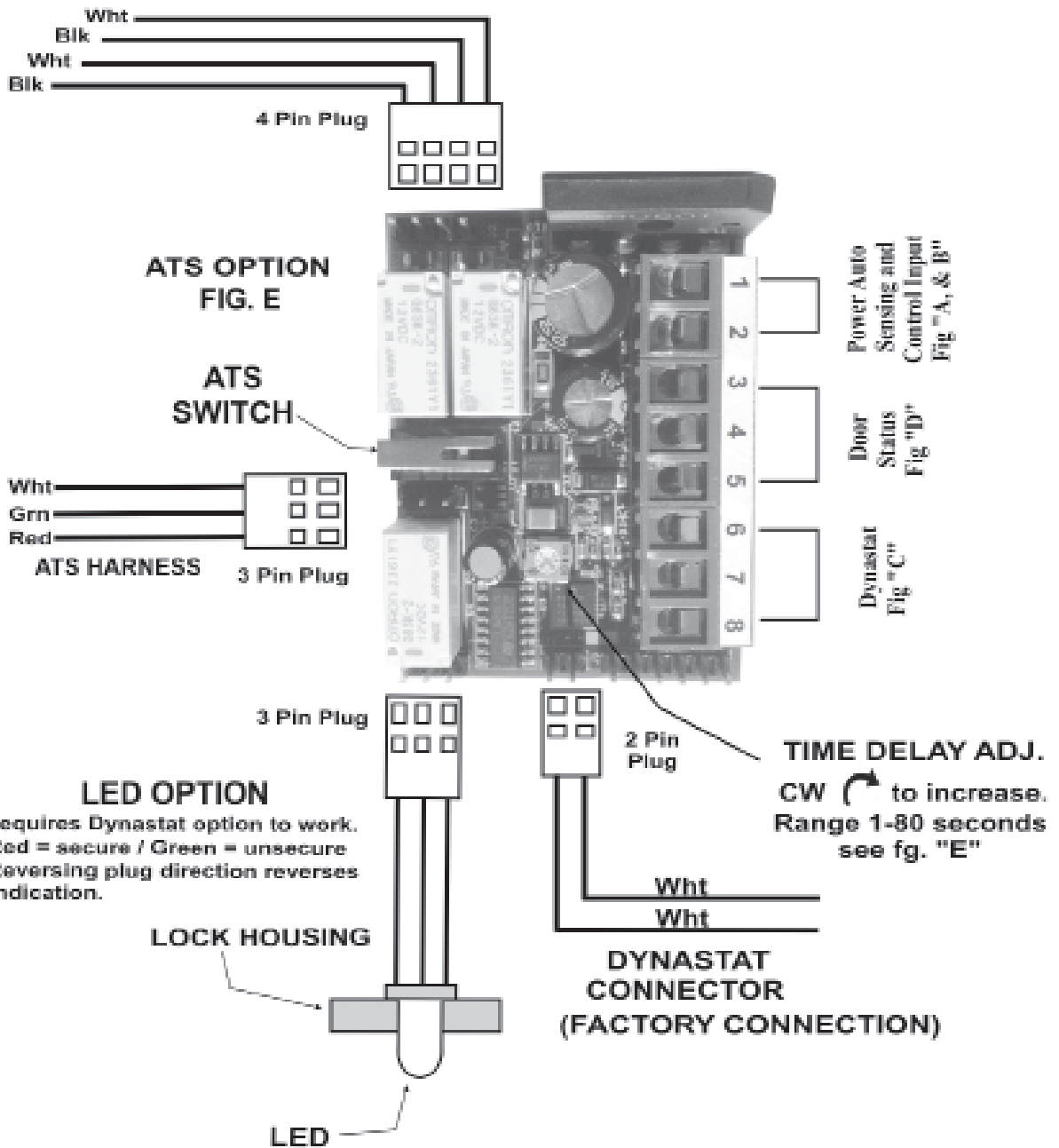


PLEASE READ BEFORE ATTEMPTING INSTALLATIONS
3000/ 3000LC/ 2000/2050/2280 SERIES
CIRCUIT BOARD DESCRIPTION
 Refer to Page 2 & 3 for wiring instructions

The Coil Connector is not polarized and may go on in either direction.



WIRING INSTRUCTIONS

FIG. A

3000/2000/2280
12/24 VDC INPUT

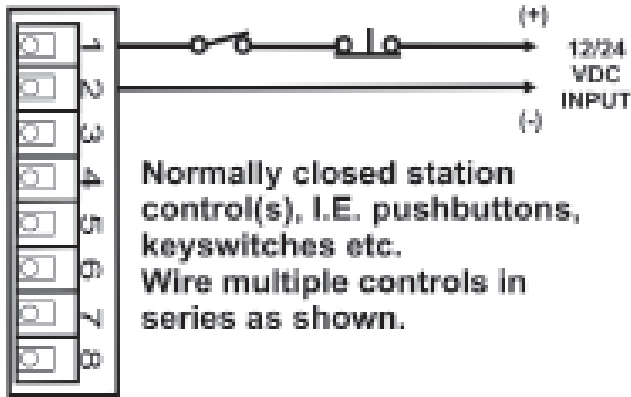


FIG. B

3000/2000/2280
12/24 VAC INPUT

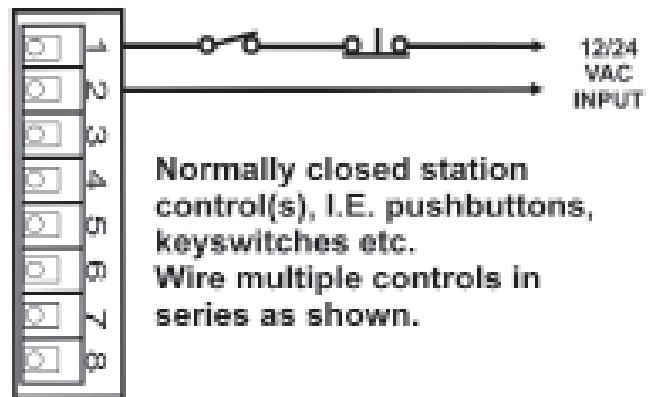


FIG. C

DYNASTAT OPTION

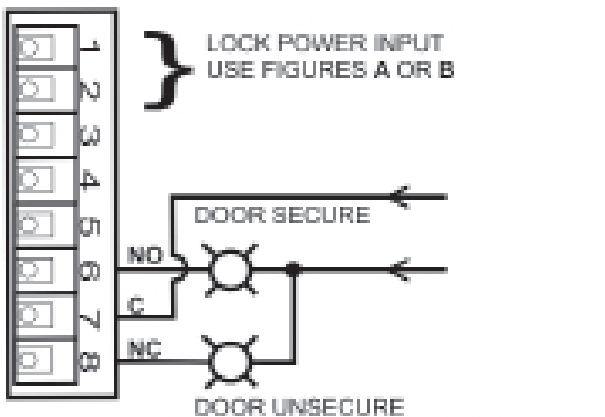


FIG. D

DSM OPTION

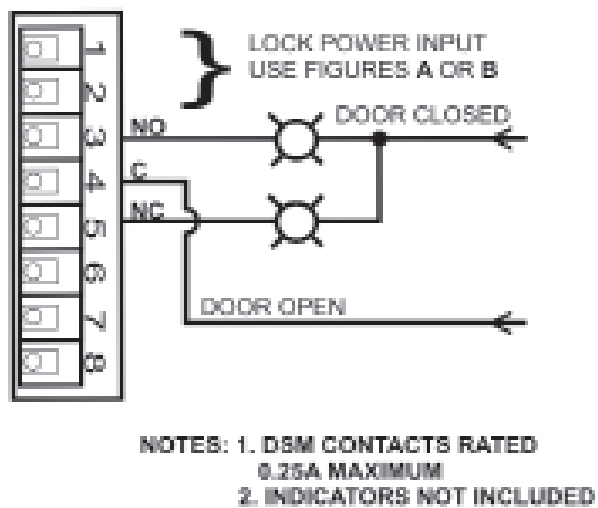
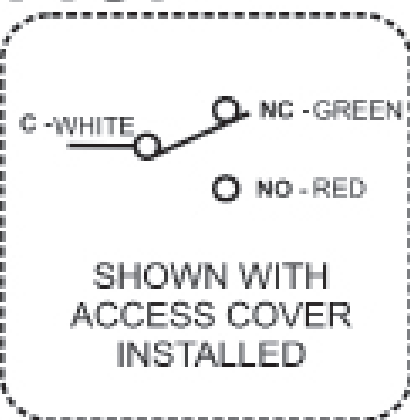
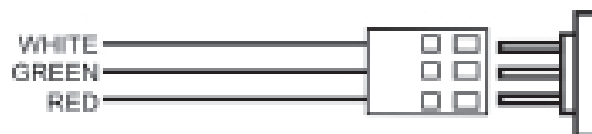


FIG. E

ANT-TAMPER (ATS)
OPTION



ANTI-TAMPER OPTION INDICATES REMOVAL OF ACCESS COVER. THIS SWITCH IS LOCATED ON THE PRINTED CIRCUIT BOARD.



DRY CONTACT RATING 3A @ 30VDC/125VAC

ELECTRICAL SPECIFICATIONS

OPERATING VOLTAGES

12 OR 24 VAC / VDC

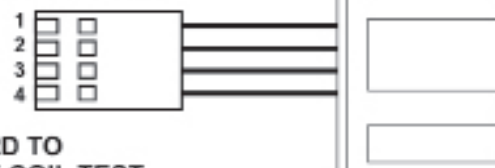
CURRENT CONSUMPTION, ALL MODELS

12 VAC / VDC - 0.44 A

24 VAC / VDC - 0.22 A

COIL RESISTANCE CHECK

REMOVE THE
MAGNET COIL
CONNECTOR
FROM THE
CIRCUIT BOARD TO
PERFORM THE COIL TEST



PROPER COIL RESISTANCE SHOULD BE
FROM POINTS 1 TO 3, ~ 53 OHMS
FROM POINTS 2 TO 4, ~ 53 OHMS

TROUBLESHOOTING TIPS

SYMPTOM	POSSIBLE CAUSE	CHECK FOR
DOOR WILL NOT LOCK OR NO MAGNETIC HOLDING FORCE	<ul style="list-style-type: none"> ● NO INPUT POWER ● AN OPEN CIRCUIT IN THE COIL 	<ul style="list-style-type: none"> <input type="checkbox"/> CHECK ALL CONNECTIONS. CHECK FOR VOLTAGE AT POWER SOURCE AND LOCK TERMINAL STRIP. <input type="checkbox"/> PERFORM THE COIL RESISTANCE CHECK. REFER TO BOTTOM OF THE PAGE 3.
LOW HOLDING FORCE	<ul style="list-style-type: none"> ● ARMATURE MOUNTING TOO RIGID ● INSUFFICIENT SUPPLY VOLTAGE 	<ul style="list-style-type: none"> <input type="checkbox"/> CHECK ARMATURE MOUNTING FOR FREE PIVOTING AND FULL CONTACT BETWEEN THE MATING SURFACE OF THE LOCK AND ARMATURE. <input type="checkbox"/> CHECK SUPPLY FOR PROPER INPUT VOLTAGE, SHOULD BE WITHIN 10%
MAGNET OVERHEATS AND / OR DRAWS EXCESS CURRENT	<ul style="list-style-type: none"> ● POSSIBLE SHORTED COIL 	<ul style="list-style-type: none"> <input type="checkbox"/> PERFORM THE COIL RESISTANCE CHECK. REFER TO BOTTOM OF PAGE 3.
DYNASTAT BOND SENSOR NOT INDICATING DOOR SECURE WHEN CLOSED AND LOCKED (WHEN APPLICABLE)	<ul style="list-style-type: none"> ● MAGNET AND / OR ARMATURE FACE DIRTY OR BURRED ● POOR LOCK / ARMATURE ALIGNMENT 	<ul style="list-style-type: none"> <input type="checkbox"/> CLEAN BOTH SURFACES WITH SCOTCH BRITE TYPE CLOTH AND APPLY WD-40. CHECK FOR BURRS. <input type="checkbox"/> CORRECT AS NECESSARY
DSM (DOOR STATUS MONITOR) NOT INDICATING DOOR CLOSED / OPEN STATUS (WHEN APPLICABLE)	<ul style="list-style-type: none"> ● DSM MAGNETS NOT INSTALLED IN ARMATURE HOUSING ● POOR LOCK / ARMATURE ALIGNMENT 	<ul style="list-style-type: none"> <input type="checkbox"/> REPLACE / INSTALL AS NECESSARY <input type="checkbox"/> CORRECT AS NECESSARY

Notes:

1. This lock may accept any one of 4 different input voltages and be furnished with a combination of options. Refer to page 1 for option location and pages 2 and 3, figure A thru E, for wiring instructions that apply to your specific installation.
2. For additional system wiring information, refer to the installation documentation furnished with the external hardware and / or peripheral devices (I.E. power supply, station controls, keypad, card readers, etc.) supplied by DynaLock and / or others.

**PLEASE DELIVER THIS MANUAL
TO THE END-USER UPON COMPLETION
OF THE INSTALLATION**

**FOR PRODUCT SUPPORT AND PARTS
ORDERING INFORMATION CONTACT:**

DynaLock Corp.
705 Emmett Street
Bristol, CT 06010
Bus: (877) DYNALOCK, Toll-Free USA
(860) 582-4761
Fax: (860) 585-0338

DYNALOCK ON THE INTERNET:

E-mail: info@dynalock.com
Website: www.dynalock.com