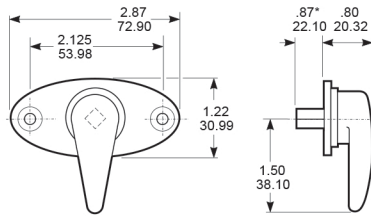
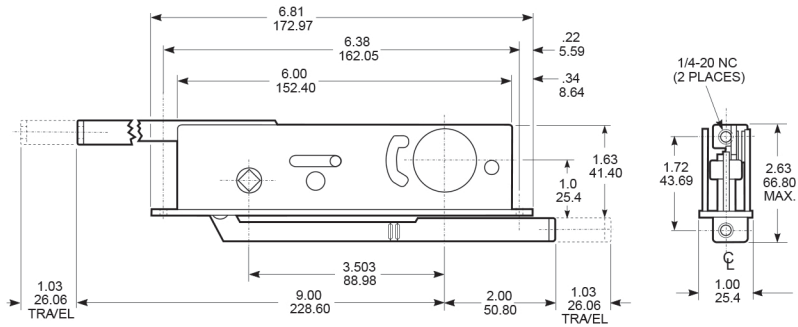
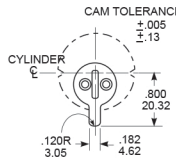


INCHES  
MILLIMETERS  
Nominal, subject to tolerance extremes.



4060 Turn

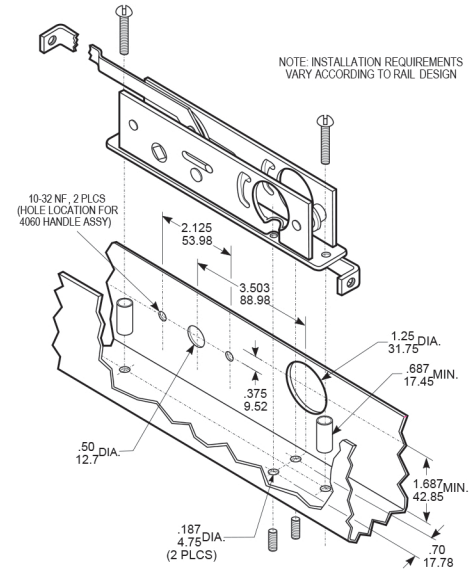
\*FOR 1-3/4" THICK DOOR



CAM TOLERANCE: Cylinder Cam

1875 deadbolts are operable by any standard 1-5/32" diameter mortise cylinder with special MS® cam dimensioned as shown. Cylinders with MS® cams can be readily obtained from most cylinder manufacturers. See page SW-28 for cylinder make and trim ring information.

## INSTALLATION



**ADAMS RITE MANUFACTURING CO.**

260 Santa Fe Street, Pomona, CA 91767  
Phone: (909) 632-2300 Fax: (909) 632-2369

**1875 Two Point Deadbolt**