

Universal Stopper Install

STI-13000 & STI-14000 Series



Installation Notes

- When used outdoors, the manual station must also be rated for outdoor use.
- UL Listing does not permit external power source or connection of horn relay contacts to fire alarm or life safety devices.
- When properly installed, the operation of this cover will not interfere with the function of your life safety system.
- Horn operation and performance must be tested annually. Battery replacement is recommended annually dependent on usage and battery expiration date.
- Ensure the service pin is properly inserted in the service pin receptor to silence horn while performing installation or servicing horn.
- If mounting to an uneven surface, a backplate (STI-1314) is recommended to help ensure proper sealing to mounting surface.
- The backplate may be drilled if wire access or screw mounting holes are needed.

Specifications

Polycarbonate Enclosure

- Flammability - flush and surface mount models (Fig. 2 & 3): UL 94 V-2, enclosed flush and enclosed back box models (Fig. 4 & 5): UL 94 5VA
- Cover wall thickness 0.125 inches

Gaskets

STI-1318 3" Gasket - Neoprene 1/8" diameter

Mounting gasket (embedded in housing at STI factory prior to shipping) - Two part polyurethane
STI-6004 1/2" or 3/4" conduit weather gasket - Closed Cell Neoprene

Horn

- Low (95 dB @ 1 ft.)
- High (105 dB @ 1 ft.)
- Min. Operating Req.

9V (Battery included)

40mA
105mA
2V @ 20mA

12V

38mA
125mA
4V @ 20mA

24V

22mA
95mA
4V @ 20mA

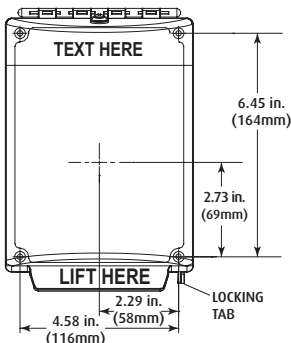
Dry Contact Relay

- 30 VAC/VDC, 1A

Temperature Range

- Electronics operating range: -40° to 120°F (-40° to 49°C) **Below -4°F (-20°C), a remote power source is recommended**
- Polycarbonate rated: -40° to 284°F (-40° to 140°C)

Fig. 1 - Dimensions



Center pull station to the Universal Stopper with the help of dimensions shown in **Fig. 1**.

Open cover, use frame or optional backplate to mark mounting holes.

NOTE: Be sure the entire cover travel will not interfere with operation of the pull station or other safety system equipment when installed.

Fig. 2 - Flush Mounting Option - Models 130 & 140****

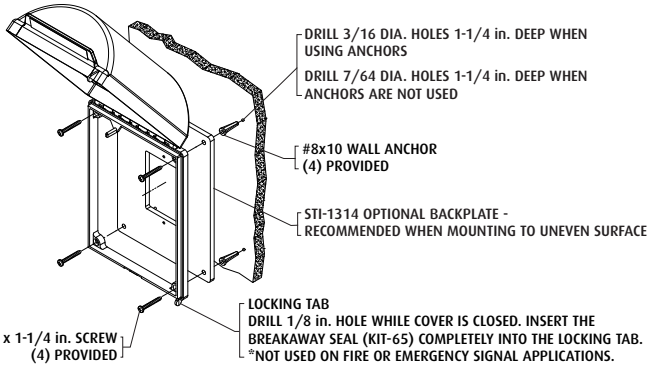


Fig. 3 - Universal Stopper® Install - Models 131 & 141****

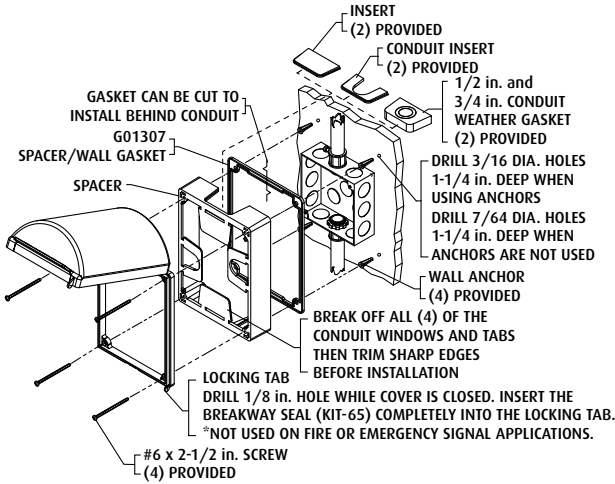
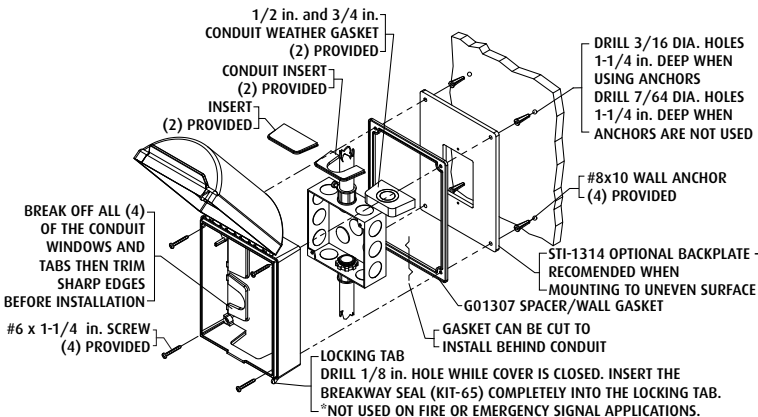


Fig. 4 - Surface Mounting Option - Models 132 & 142****



Fit appropriate conduit weather gasket to conduit. Then fit gasket to insert or directly to the housing knock-out. For additional seal reliability a bead of silicone may be applied to conduit fitting.

Fig. 5 - Enclosed Flush Mounting Option - Models 133 & 143** NEMA TYPE 3RX**

| Models | Back Box Conduit Thread | Electrical Box Type |
|---------------------|-------------------------|---------------------|
| STI-134** STI-144** | 3/4 NPT | North America |
| STI-135** STI-145** | | |
| STI-136** STI-146** | 20mm | European |
| STI-137** STI-147** | 3/4 NPT | European |
| STI-138** STI-148** | | |
| STI-139** STI-149** | 20mm | North America |
| STI-13A** STI-14A** | 3/4 NPT | North America |
| STI-13B** STI-14B** | | |

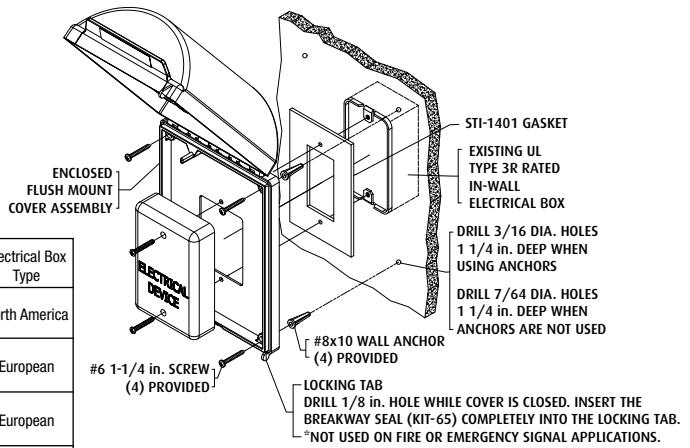


Fig. 6 - Enclosed Back Box Mounting Option - Models 134, 135**, 138**, 139**, 144**, 145**, 148** & 149** NEMA TYPE 3RX**

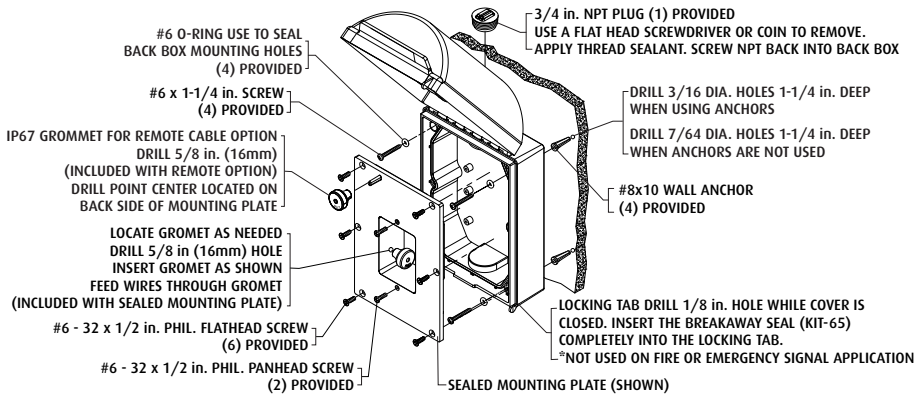
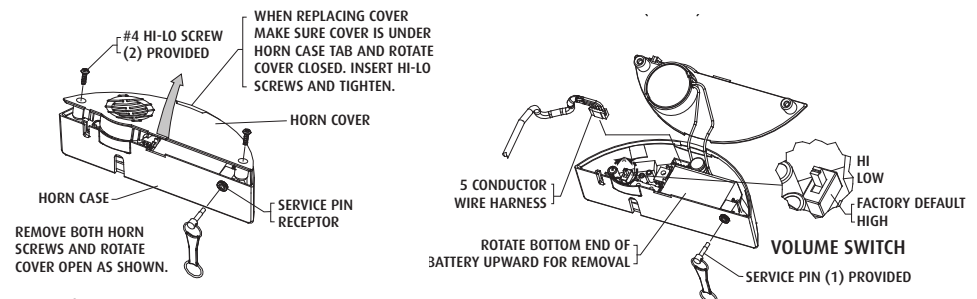


Fig. 7 - Horn Option - Wiring Details - Remote Power/Relay Options *9V battery acts as a backup power when using remote power



| Wire | Description |
|--------|------------------|
| Red | +12V - 24V |
| Black | -12V - 24V |
| Blue | Common |
| Green | NC - Norm Closed |
| Yellow | NO - Norm Open |

Remove service pin and horn should sound. Close covers and horn should silence. When performing annual battery test/replacement or when servicing alarm system, insert service pin to prevent horn from sounding. Remember to remove to return to normal operation.

Approvals

It has been tested and approved or listed by:

- UL, CUL Listed - S2466
- UL Certified to meet ADA
- NEMA Type 3RX models with enclosed flush mount and enclosed back box options

Polycarbonate Cleaning Instructions

Rinse with water to remove abrasive dust and dirt. Wash with soap or mild detergent, using a soft cloth. Rinse once more then dry with a soft cloth or chamois. Exercise caution when using water inside enclosure. Make sure unit is completely dry inside before reassembling. To remove grease or wet paint from exterior of cover, rub gently with a soft cloth thoroughly wetted with Naptha. Then wash and rinse. **Do not use razor blades.**

Options Available

| | |
|-----------|---|
| STI-1314 | Universal Stopper Backplate |
| STI-1331 | 1 1/2" (37mm) Spacer |
| STI-6602* | Horn Assembly |
| KIT-319 | Wiring harness for remote power |
| KIT-320 | Wiring harness for remote power (for STI-1X4XX and STI-1X5XX) |
| KIT-65 | Breakaway Seal (qty. 5) |

*Available in red, green, blue, yellow, white or black.

Warranty

Three year guarantee against breakage of polycarbonate in normal use (one year on electro mechanical and electronic components).

Electronic warranty form at www.sti-usa.com/wc14.

Important Notice (when used on fire systems)

The Universal Stopper is intended to be used in areas where the incidence of false fire alarms from manual pull stations is high or has proven to be a serious problem. Any disadvantage of this device is more than balanced when one considers the consequences of false fire alarms, especially if fire service personnel and equipment are responding to a false fire alarm when they are needed for a real fire somewhere else. Add to this, the disruption to the facility when false alarms occur. If you have, or may have, a problem with false fire alarms or physical/weather damage to your fire alarm activation devices, the Universal Stopper could prove invaluable. Avis important (en cas d'utilisation sur les réseaux d'incendie)

Avis important (en cas d'utilisation sur les réseaux d'incendie)

Le Universal Stopper est destiné à être utilisé dans les zones où l'occurrence de fausses alertes d'incendie issues d'avertisseurs d'incendie manuels est élevée ou présente un problème grave. Un quelconque inconfort de ce dispositif est vite contrecarré par les conséquences des fausses alertes d'incendie, surtout lorsque le personnel et l'équipement des services d'incendie réagissent à une fausse alerte d'incendie alors que leur intervention ailleurs sur un vrai incendie s'avère nécessaire en même temps. À cela s'ajoute l'agitation éprouvée dans l'établissement au moment du déclenchement d'une fausse alerte. Si vous rencontrez, ou risquez de rencontrer, un problème avec les fausses alertes d'incendie ou avec l'éventuel endommagement par effet climatique ou physique de vos dispositifs de déclenchement des alertes d'incendie, le Universal Stopper pourra alors se révéler d'une valeur inestimable.



**Safety Technology
International**

2306 Airport Rd • Waterford, MI 48327, USA
Phone: 248-673-9898 • Fax: 248-673-1246
info@sti-usa.com • www.sti-usa.com

Safety Technology International Ltd

Taylor House • 34 Sherwood Road • Bromsgrove
Worcestershire • B60 3DR • England • Tel: +44 (0)1527 520 999
Fax: +44 (0)1527 501 999 • info@sti-emea.com • www.sti-emea.com

Subject to change
without notice.
Printed in USA

Univ Stopper IS
Mar 2017