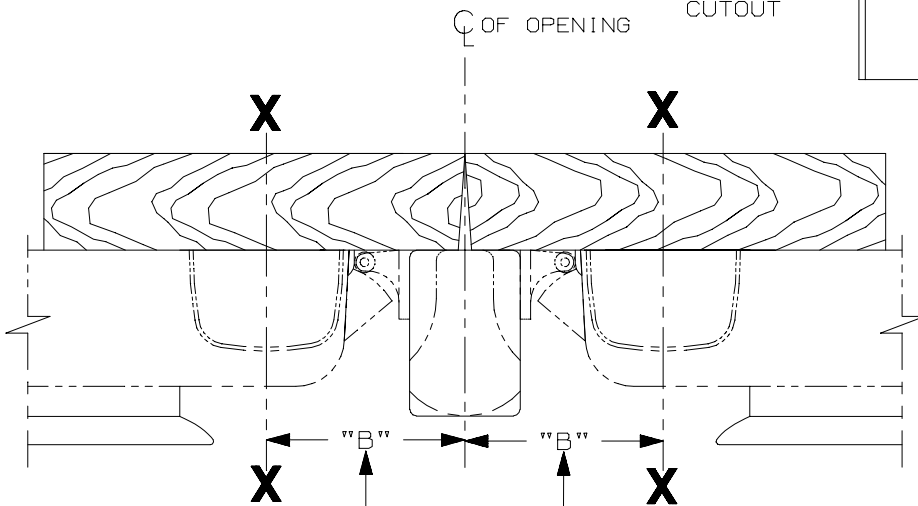
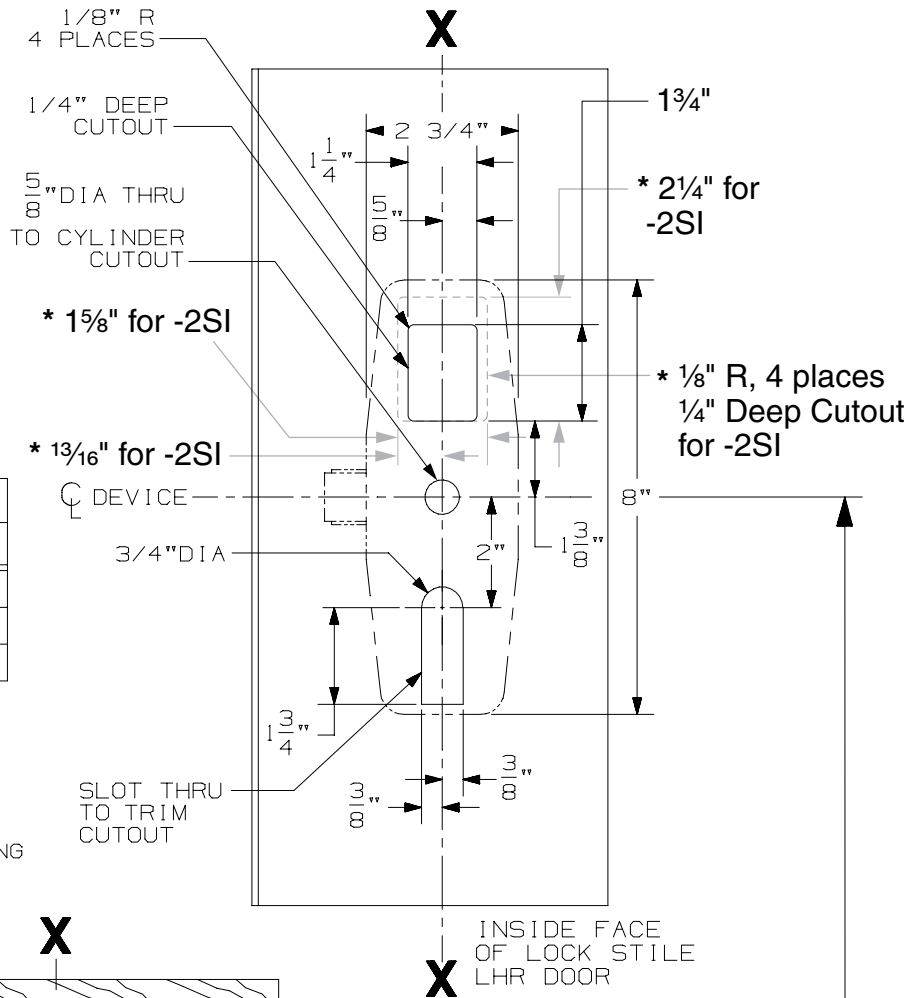


SINGLE DOOR INSTALLATION

STRIKE	DIM. "B"	MIN. STILE
299/299-F	2 3/8"	4 1/2"
1409/1439	1 9/16"	3 13/16"
1606	1 15/16"	4 1/16"



DOUBLE DOOR INSTALLATION WITH VON DUPRIN MULLIONS

MULLION	STRIKE	DIM. "B"	MIN. STILE
4954	299	3 3/8"	4 7/8"
9954	499-F	3 1/2"	5 "
5654	299	2 15/16"	4 3/8"
5754	1408	2 1/8"	3 13/16"
1654	1606	2 15/16"	4 3/8"

FOR OUTSIDE TRIM PREPARATION, WHEN REQUIRED, SEE ADDITIONAL TRIM TEMPLATE

SINGLE DOOR OPENING
39 13/16" TO FINISHED FLOOR

DOUBLE DOOR OPENING
WITH VON DUPRIN MULLION
39 11/16" TO FINISHED FLOOR

LHR SHOWN
RHR OPPOSITE

REMOVE GLASS STOP OR BEAD
IN AREA OF DEVICE IF REQUIRED
UNLESS GBK IS USED.

NOTES:

1. MOUNTING HOLES TO BE PREPARED AT INSTALLATION ON DOOR.
- * 2. FOR THE -2SI MODEL, HEIGHT OF CUTOUT INCREASES TO 2 1/4" AND WIDTH INCREASES TO 1 5/8".

**98/99-2 & 98/99-2-F TP, K, & L Series
Rim Device (Wood Door)**

VON DUPRIN®

NOTES: SEE MASTER SHEET #10001 FOR SUGGESTED REINFORCING

TEMPLATE
NUMBER:

W10322_c

DATE:
10-22-13