



23737901

# HDB



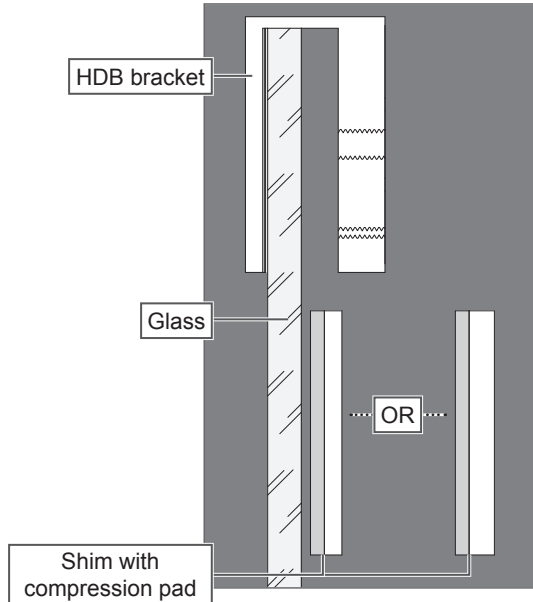
M400 Series Glass Door Kit

Installation Instructions

① **Herculite Door Bracket (HDB) is to be used with 1/2" - 3/4" thick glass doors.**

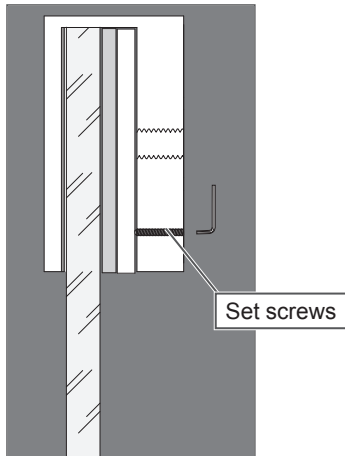
## 1 Install HDB bracket.

1a Select appropriate shim.



1b Install HDB bracket.

- Install appropriate shim (padded side toward glass).
- Tighten set screws (3/32" hex wrench included).

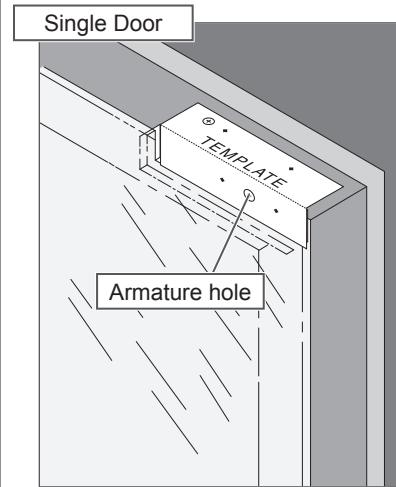


Shim with compression pad to be installed on top of glass opposite the hinge side with the hole for the armature facing toward the "push" side of the opening.

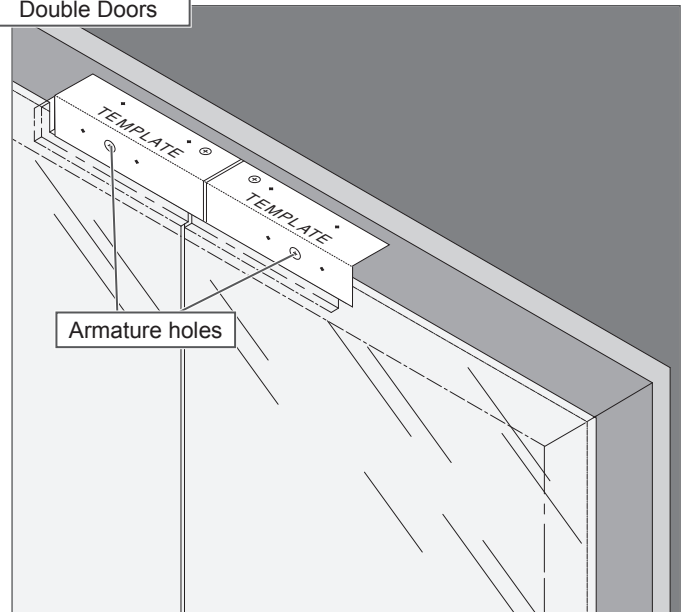
## 2 Prepare frame.

2a Tape template on HDB bracket and frame.

- Align armature hole on template with armature hole in HDB bracket.
- Prepare frame holes per template.

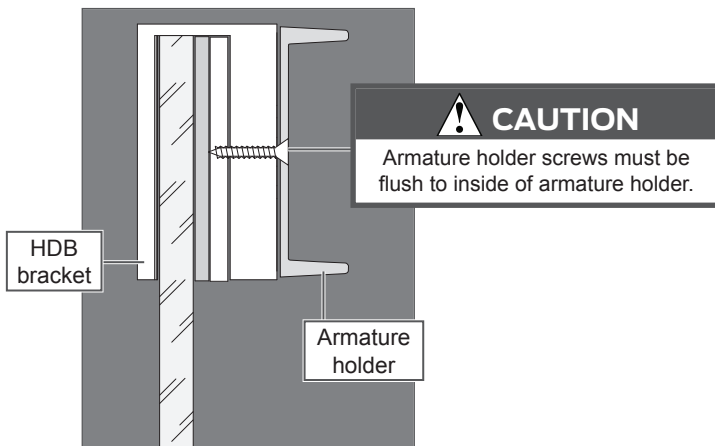
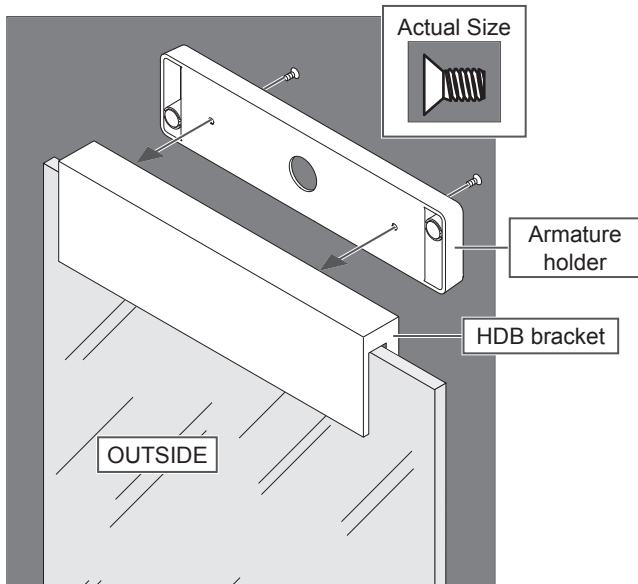


Double Doors

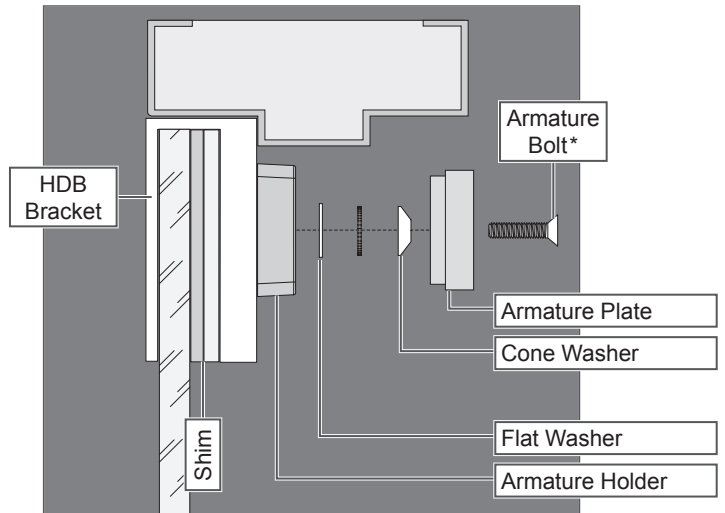


### 3 Install magnetic lock.

3a Attach armature holder to HDB bracket.



3b Install armature plate.



\* Use bolt supplied in HDB kit. M490 armature must be disassembled to replace armature bolt

#### **WARNING**

Armature bolt must be tightened to at least 120 in.-lbs.  
DO NOT back off bolt after tightening! Backing off the bolt after tightening will loosen the thread-locking patch, which may allow the bolt to loosen over time.

ⓘ **Note: Some warming of electromagnetic locks under routine operation is normal.**

3c Continue installation per Magnetic Lock Installation Instructions.

**Customer Service**

1-877-671-7011

[www.allegion.com/us](http://www.allegion.com/us)



© Allegion 2015  
Printed in U.S.A.  
23737901 Rev. 11/15-d