



72 Series



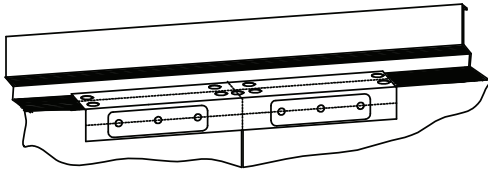
39474

Magnetic Lock

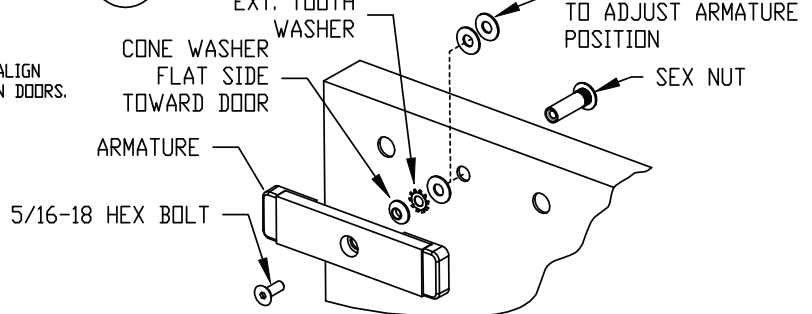
Installation Instructions

NOTE: MAGNET AND ARMATURE PLATE MUST MATE WHEN DOOR IS IN CLOSED (AND LATCHED - IF APPLICABLE) POSITION. ADJUSTMENT IS BY ADDING/SUBTRACTING WASHERS.

1 PLACE TEMPLATE ON DOOR AND FRAME AS SHOWN. ALIGN CENTER OF TEMPLATE WITH PARTING LINE BETWEEN DOORS. TAPE IN PLACE AND DRILL REQUIRED HOLES.

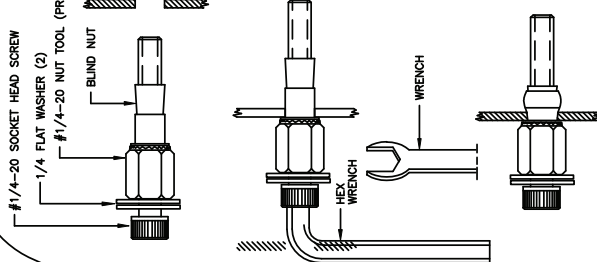


3 INSTALL TWO ARMATURES:

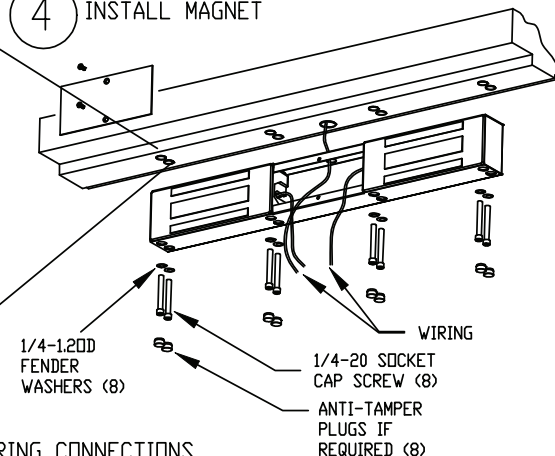


2 INSTALL EIGHT BLIND NUTS AS SHOWN

ASSEMBLE PARTS AS SHOWN AND INSERT INTO HOLE WHILE HOLDING TOOL IN PLACE WITH WRENCH TIGHTEN TO COLLAPSE NUT WITH HEX WRENCH



4 INSTALL MAGNET

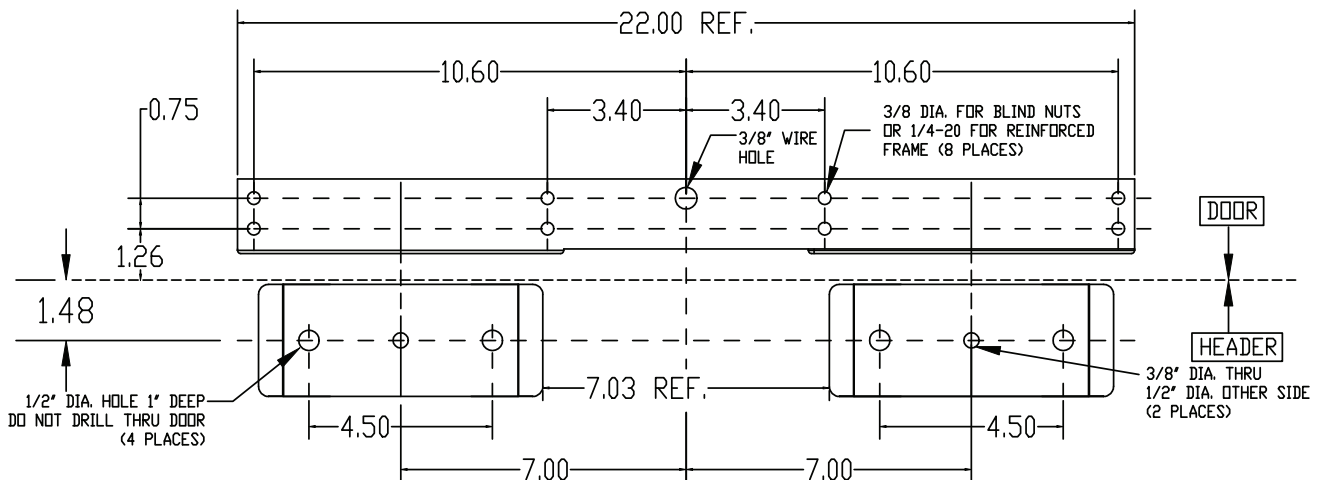


5 MAKE WIRING CONNECTIONS AND INSTALL WIRE COVER.

THE MAGNET IS POWERED BY 12 OR 24 VDC ONLY. LOCKNETCS OFFERS SEVERAL POWER SUPPLIES WHICH CAN BE USED TO POWER MAGNETIC LOCKS. MAGNETIC LOCKS ARE USUALLY CONTROLLED BY AN ACCESS CONTROL READER (CARD/PROX, ETC.) AND AN EGRESS DEVICE SUCH AS AN EXIT DEVICE WITH A SWITCH, PUSHBUTTON AND/OR MOTION DETECTOR. IN MOST CASES IT IS REQUIRED THAT ACTIVATION OF THE BUILDING FIRE ALARM SYSTEM CAUSE ALL MAGNETIC LOCKS TO UNLOCK. CONSULT LOCAL AUTHORITY HAVING JURISDICTION REGARDING SYSTEM REQUIREMENTS FOR LOCAL LIFE SAFETY AND ELECTRICAL CODES.

WIRING:	(CURRENT PER MAGNET)
RED: (+)	0.300 AMP @ 12VDC
BLACK: (-)	0.150 AMP @ 24VDC
WHITE:	MBS C
GREEN:	MBS NO
ORANGE:	MBS NC
	1 AMP MAX. @ 30VDC
YELLOW:	DSM C
BLUE:	DSM NO
BROWN:	DSM NC
	0.10 AMP MAX. @ 30VDC

72 Template: Not to Scale



Customer Service

1-877-671-7011 www.allegion.com



© Allegion 2014
Printed in U.S.A.
39474 Rev. 01/14-a