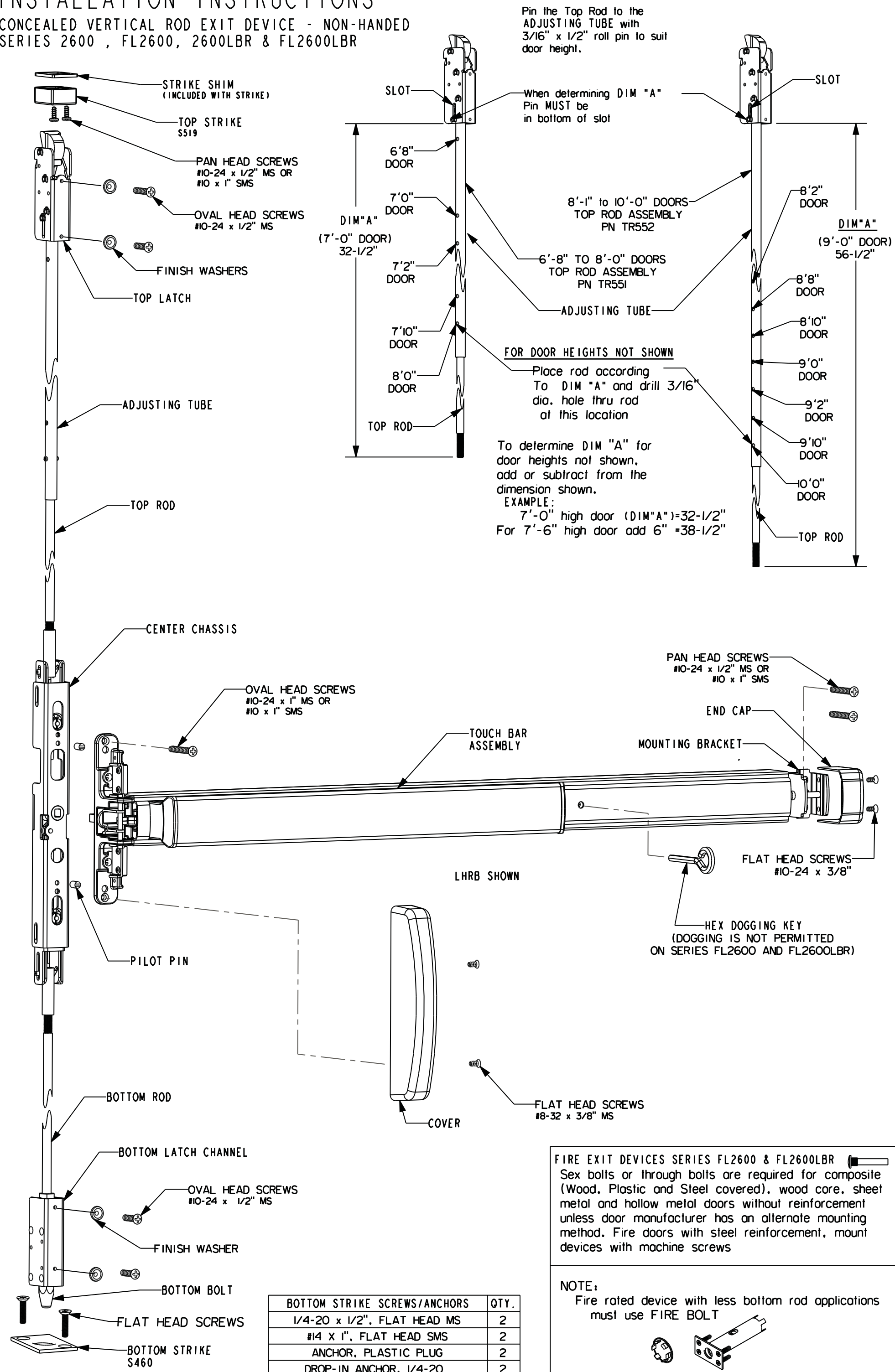
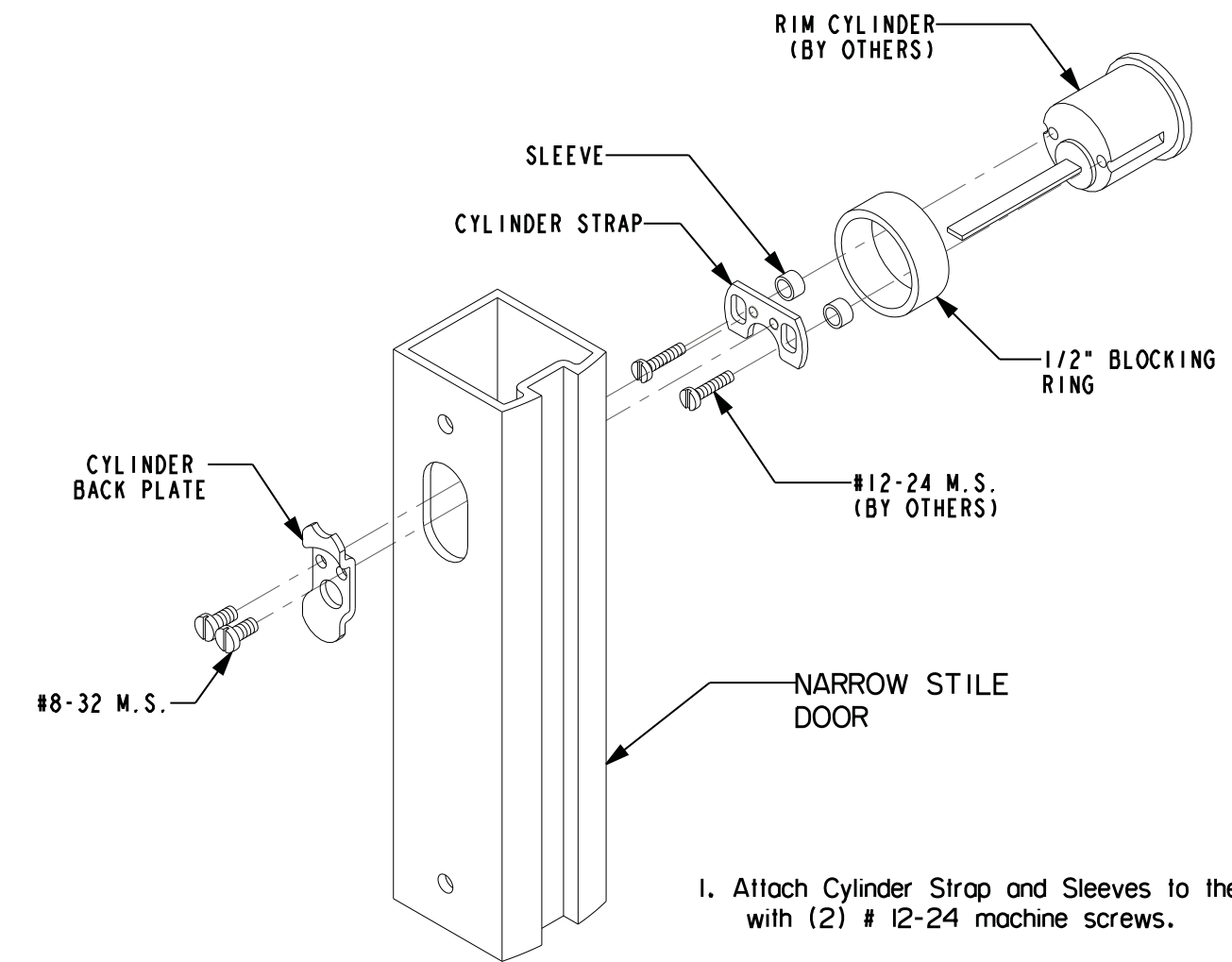


INSTALLATION INSTRUCTIONS

CONCEALED VERTICAL ROD EXIT DEVICE - NON-HANDED
 SERIES 2600, FL2600, 2600LBR & FL2600LBR

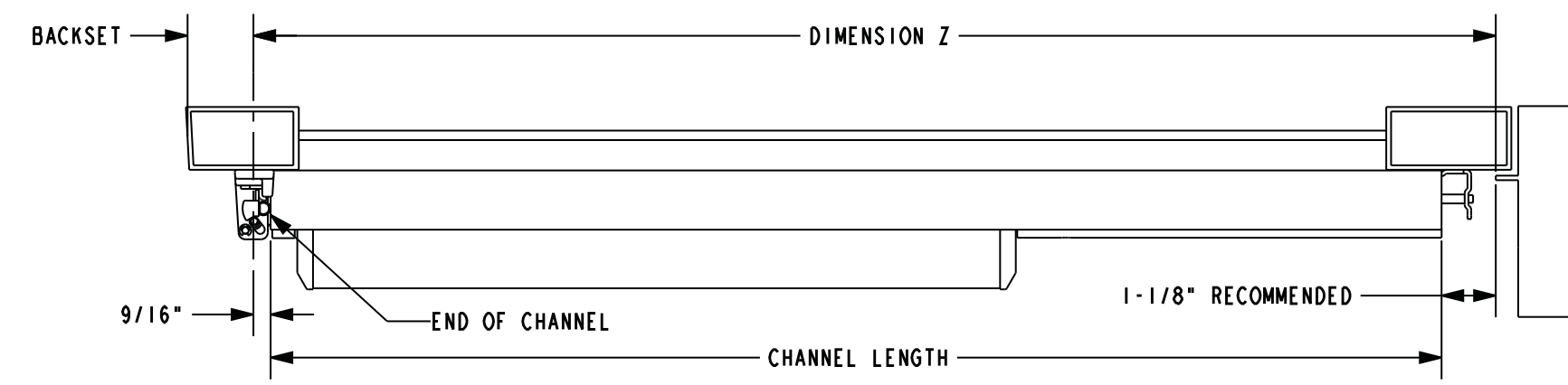


CYLINDER ONLY INSTALLATION



1. Attach Cylinder Strap and Sleeves to the Rim Cylinder with (2) # 12-24 machine screws.
2. Insert Rim Cylinder thru Blocking Ring and outside hole as shown.
3. Position Cylinder Back Plate on inside of door as shown centered in the hole in the door and with the cylinder tailpiece thru the hole in the backplate. Secure with (2) #8-32 machine screws provided.
4. The Cylinder Tailpiece should extend past the inside face of the door by 1/4" to 5/16".

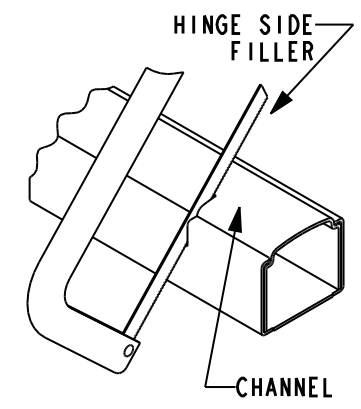
DEVICE PREPARATION



- CUT DEVICE: - If Required
1. Determine proper CHANNEL LENGTH by subtracting 1-11/16" from dimension Z.
 2. Mark cut off point (hinge side filler must be all the way inside of channel).
 3. Cut off channel and hinge side filler and deburr.

WARNING:
 If your device is equipped with ALK, CD, DE, or DS then please refer to instruction sheet listed below prior to cutting the device.

ALK	Alarm Kit	01639-11-000
CD	Cylinder Dogging	01725-11-000
DE	Delayed Egress	01844-11-000
DS	Door Position	02187-11-000



- CAUTION -
 PROTECT INSIDE OF DEVICE FROM METAL SHAVINGS

FIRE EXIT DEVICES SERIES FL2600 & FL2600LBR
 Sex bolts or through bolts are required for composite (Wood, Plastic and Steel covered), wood core, sheet metal and hollow metal doors without reinforcement unless door manufacturer has an alternate mounting method. Fire doors with steel reinforcement, mount devices with machine screws

NOTE:
 Fire rated device with less bottom rod applications must use FIRE BOLT

CONCEALED VERTICAL ROD EXIT DEVICE - NON-HANDED
 SERIES 2600, FL2600, 2600LBR & FL2600LBR

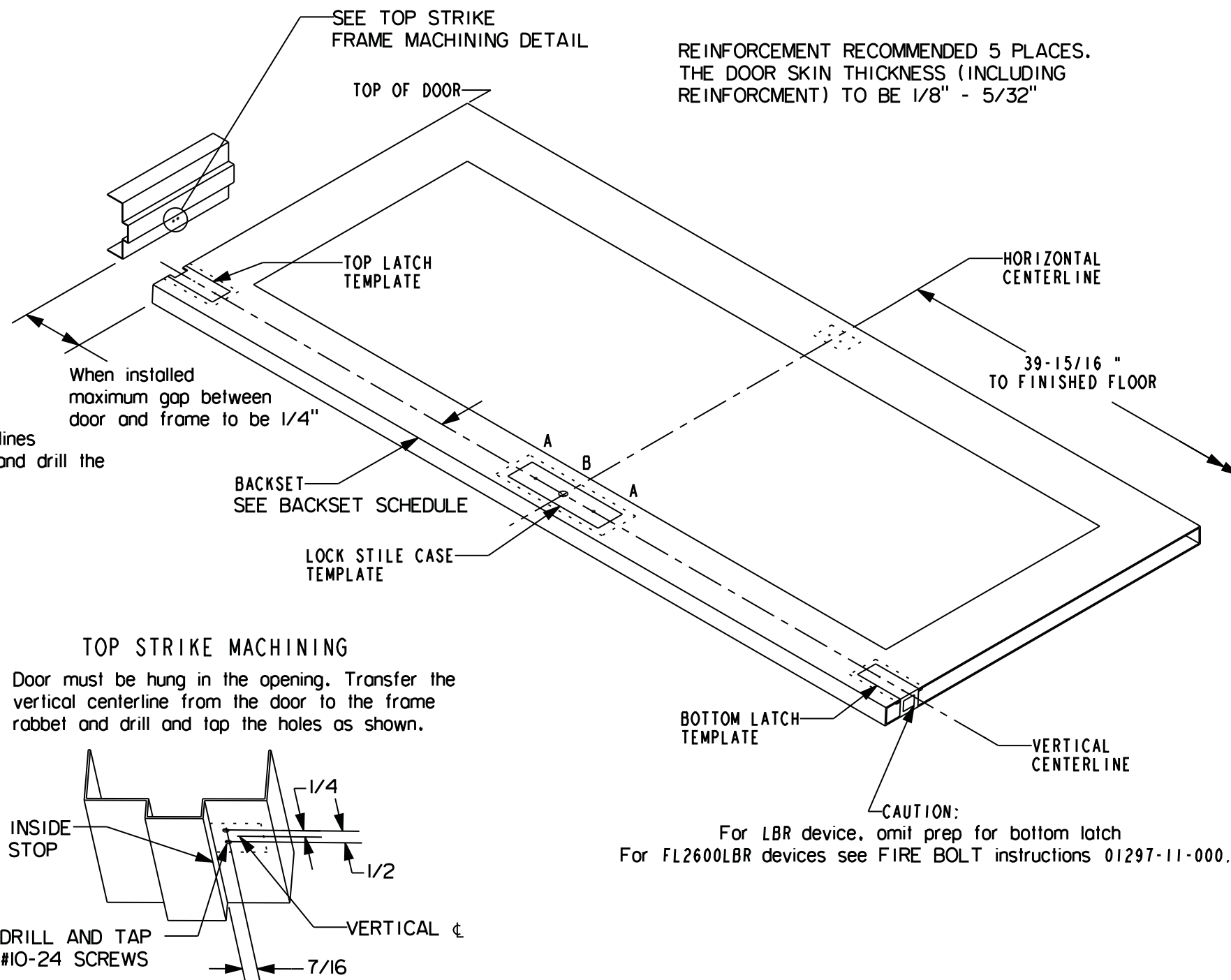
STANLEY
 phi
 Precision Hardware
 a Division of Stanley Security Solutions, Inc.
 www.stanleysecuritysolutions.com

DRWG 01788-11-000
 DATE 09/2014
 REVISION C

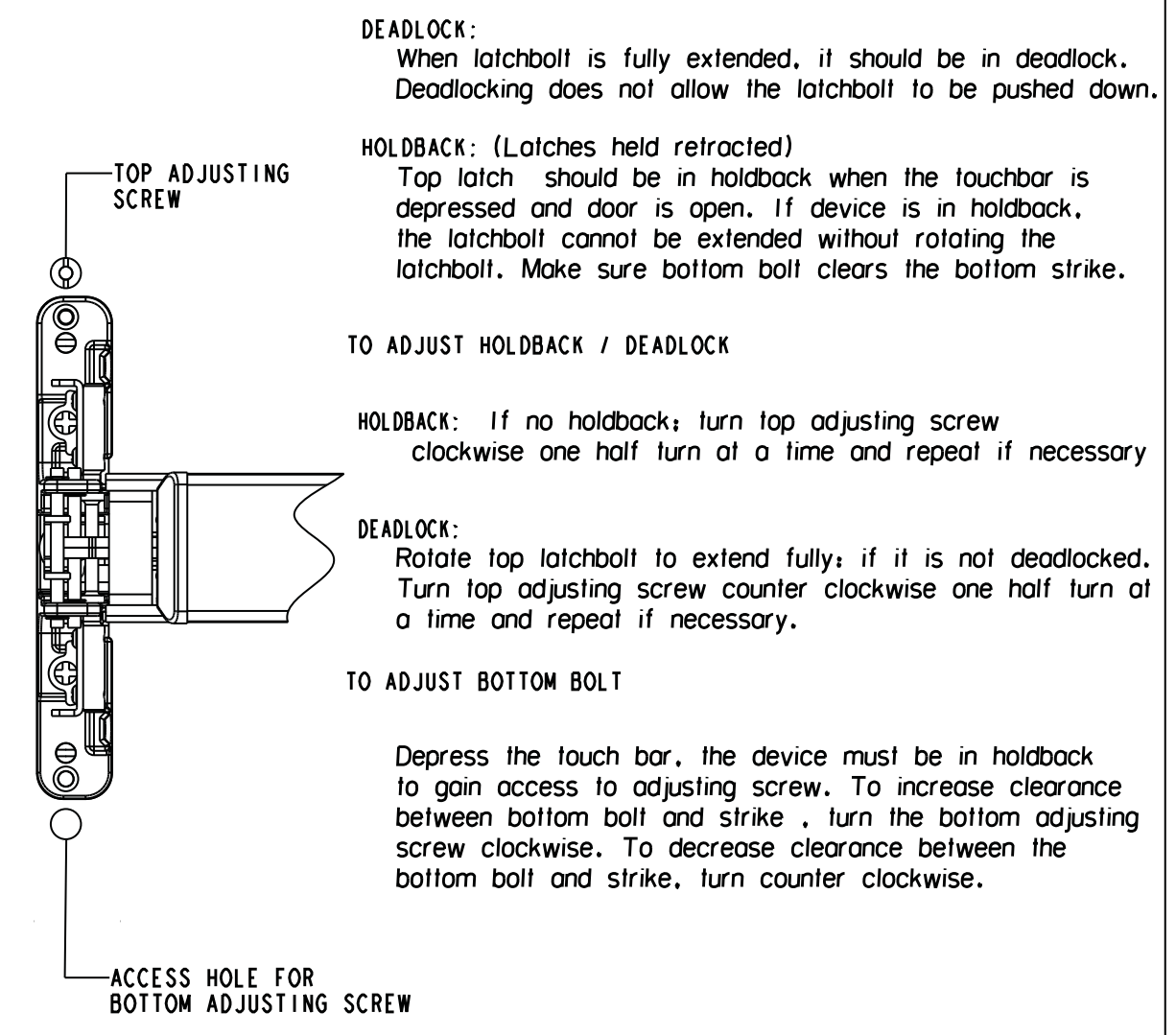
1 DOOR PREPARATION

- Circle the following BACKSET in the chart below. TRIM NO. (if specified) at various locations (holes B and C) on the TRIM TEMPLATE.
 - Mark HORIZONTAL CENTERLINE on inside face of door 39-15/16" from finished floor as shown. (Continue horizontal centerline to outside face of door if Trim is specified).
 - Mark VERTICAL CENTERLINE per BACKSET SCHEDULE at lock side on full height of door and carry it onto the under side of the DOOR STOP. (Mark vertical centerline at lock side using Backset dimension on outside face of door if Trim is specified).
- CAUTION: Vertical centerlines on both sides of the door should be the same dimension from the edge of the door.
- Tape LOCK STILE CASE, TOP LATCH and BOTTOM LATCH Templates (and Trim Template if Trim specified) to the door so that the centerlines on the Template line up with centerlines on the door. Mark centers and drill the required holes as indicated on the templates.

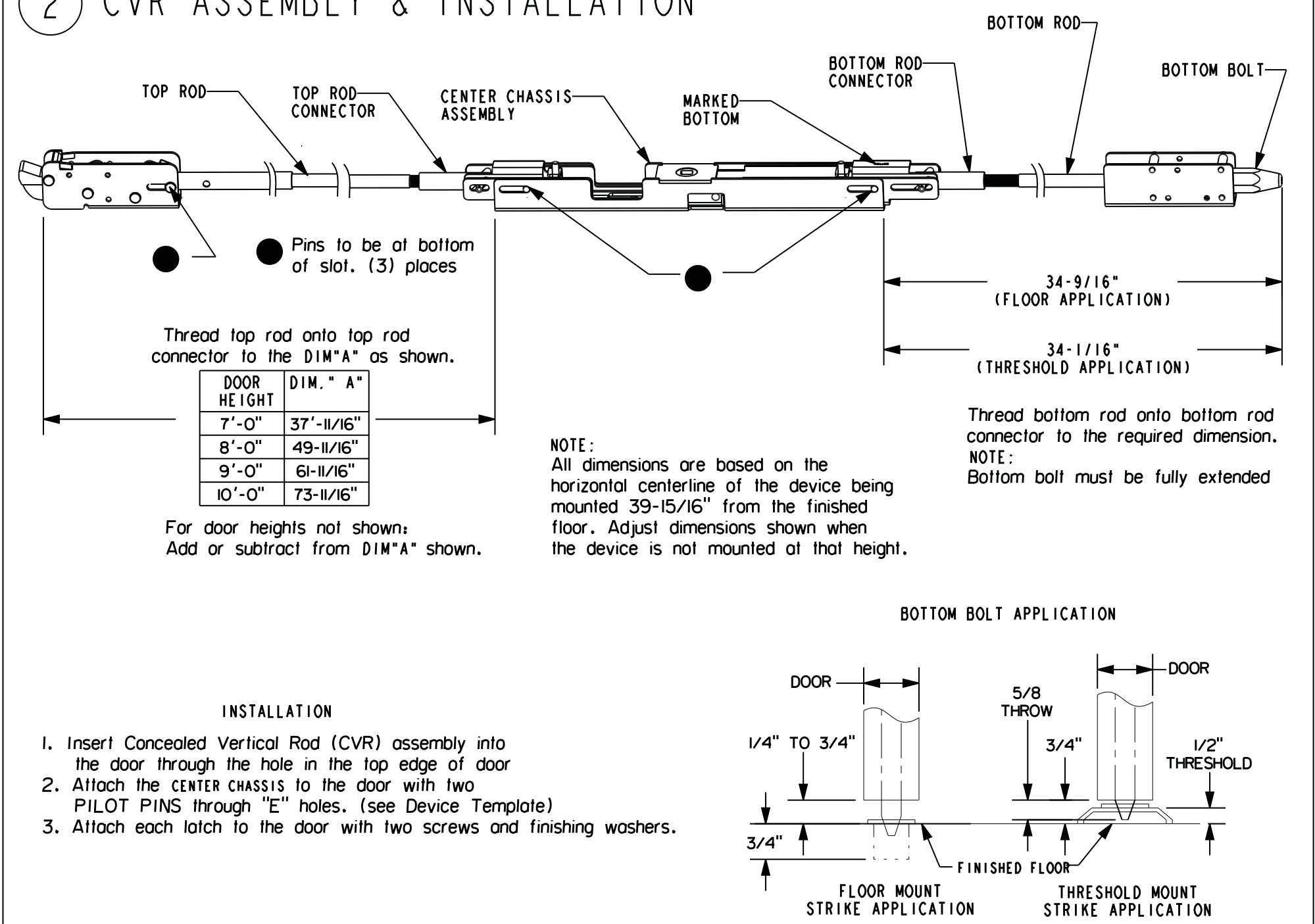
DOOR TYPE	ALUMINUM		HOLLOW METAL	
	SINGLE DOOR	PAIR OF DOORS	SINGLE DOOR	PAIR OF DOORS
BACKSET	1-1/16"	1-1/16"	1-11/16"	1-11/16"
STILE WIDTH	1-3/4" MINIMUM	1-3/4" MINIMUM	3" MINIMUM	3" MINIMUM



4 DEADLOCK/HOLDBACK ADJUSTMENT



2 CVR ASSEMBLY & INSTALLATION



3 APPLY DEVICE

