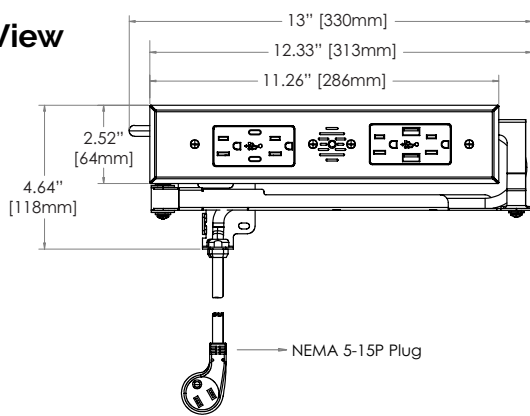


Blade Series Blade Duo 1514-213

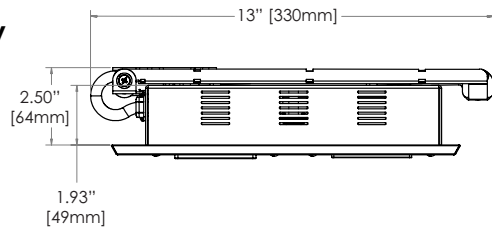
Outlet Dimensions

Outlet Width	13" (330mm)
Outlet Height	4.64" (118mm)
Outlet Depth	2.5" (64mm)
Receptacle Box Depth	1.93" (49mm)
Cover Plate Height	2.52" (64mm)
Cover Plate Width	11.26" (286mm)

Front View



Top View

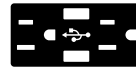


Outlet Specifications



2 AC &
2 USB-C

AC: 15 amps @ 120 VAC
 USB-C (single port connected to PD device):
 3 amps @ 9 VDC (30W)
 USB-C (single port connected to non-PD
 device): 3 amps @ 5 VDC (15W)
 USB-C (both ports connected):
 3 amps @ 5 VDC (30W total power)



2 AC &
2 USB-A

AC: 15 amps @ 120 VAC
 USB-A: 3.6 amps @ 5 VDC

Recommended Locations for the In-Cabinet Electrical Supply

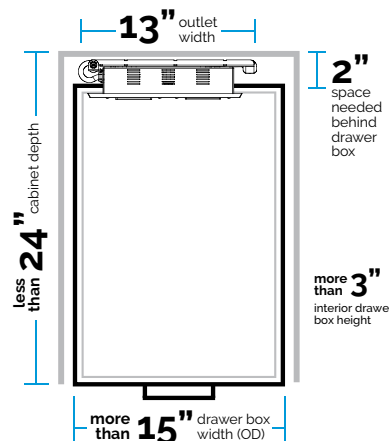


Do NOT put the electrical supply directly behind the drawer box as it may interfere with the cable management arms



Cabinet Specifications

Outlet Width	13"
Minimum Drawer Box Width (OD)	15" or more
Minimum Interior Drawer Box Height	3" or more
Minimum Space Behind Drawer Box	2" or more
Maximum Base Cabinet Depth	24" or less



Resources & Downloads

Docking Drawer provides all of the necessary resources to plan a Blade Series outlet installation. Download the following resources at dockingdrawer.com/downloads:

- Spec Book
- DXF, Step and Solidwork Files
- Mounting Diagrams
- Installation Instructions

Ready to Order?

Source directly from Docking Drawer or from one of our distribution partners. [Learn more.](#)

Project Name:

Where to Source: Docking Drawer Distributor

Lead Time - 2 weeks Freight - FOB San Ramon Warranty - 2 Years [Terms & Conditions](#)