



U.S.
**STORAGE
SOLUTIONS**



CONVENIENCE
OPEN ACCESS
MADE IN GERMANY
FLOW
ORGANIZATION
RELIABILITY
TIMELESSNESS

MAKES THE DIFFERENCE

At Vauth-Sagel, we believe comfort should be felt – in every movement, every reach, every moment of your day.

Our solutions are designed to make life easier: with smooth access, perfect organization and intuitive use.

It's the little things that turn everyday routines into everyday ease. That's the difference comfort makes.



VS TAL®
TALL CABINETS

VS SUB®
BASE CABINETS

VS COR®
CORNER CABINETS

VS ENVI®
WASTE BIN SYSTEMS

COMFORT FOR EVERY KITCHEN AND UTILITY ROOM

CONTENTS

SOLUTIONS FOR EVERY LIVING SPACE

To provide you with a clear overview of the areas in which our products are applicable, we have incorporated the following indicators:



Kitchen



Utility area

VS TAL® – TALL CABINETS 4

VS TAL® Pantry 6 - 9

VS SUB® – BASE CABINETS 10

VS SUB® Pantry 12 - 15

VS SUB® Side 16 - 19

VS ENVI® – WASTE BIN SYSTEMS 20

VS ENVI® BMT Saphir 22 - 25

VS ENVI® BMT Planero 26 - 29

VS COR® – CORNER CABINETS 30

VS COR® – BLIND CORNER

VS CORNERSTONE® Maxx 32 - 35

VS CORNERSTONE® Swing 36 - 39

VS COR® Flex 40 - 43

VS COR® – LAZY SUSAN

VS COR® Wheel Pro 44 - 45

VS COR® Susan Kidney / Fullround 46 - 47

VAUTH-SAGEL

Designs 48 - 49

About Vauth-Sagel 50 - 51

Sustainability 52 - 53

Useful Information 54 - 55

Quality 56

VS
TAL



VS TAL® – TALL PANTRY PULL-OUT

An elegant tall cabinet is the key to a happy kitchen. As a storage cabinet for food or as a practical storage option for kitchen utensils, it significantly contributes to improved working

efficiency and an increased quality of life. Neither narrow gaps nor small opening angles stand in the way of our tall cabinet solutions.


  TOP AND BOTTOM MOUNTED TALL CABINET PULL-OUT

VS TAL® PANTRY

YOUR STOCKPILE OF ACCESSIBLE STORAGE SPACE.

Every kitchen needs an elegant design. **The front opens and shuts easily and silently** due to the damping and self closing mechanism of the **full extension runners**. The frame and the front connections are designed in a high-quality, double powder-coated surface.

Pull-out pantries are a **game changer** in the kitchen, with optimized, centralized storage space. Enjoy easy access, enhanced efficiency and style for effortless everyday tasks.

- Suited for US cabinets: 12" (305 mm), 15" (381 mm), 18" (457 mm), 21" (533 mm)
- Load capacity: max. 176 lbs
- Design: SCALEA
- Finish:  platinum/maple



SCALEA

PAM: OPTIONAL POWER ASSISTED MOVEMENT –

Smooth movement for maximum comfort

Maximum ergonomics and effortless handling: our Power Assisted Movement (PAM) ensures smooth and even movement.

- Soft-close and soft-open mechanism
- Smooth movement thanks to optimized power transmission
- Durable & reliable - Tested for the highest loads

FOR FACE FRAME & FRAMELESS KITCHEN

ADVANTAGES AND BENEFITS



PAM: Optional Power Assisted Movement
Dual-direction power mechanism, makes accessing and returning trays super easy. One move a fully loaded VS TAL® Pantry.



Synchronised Movement with Soft And Self-Closing
Providing smooth operation with silent movement.



EasyFit
Self-locking system for tool-free installation of frame into upper and lower guide rails.



Comfort
Optimal access & visibility from both sides of the pantry, providing ease of utilisation saving time for the user.



Load Adjustment
Integrated design that eliminates drop on heavy load.



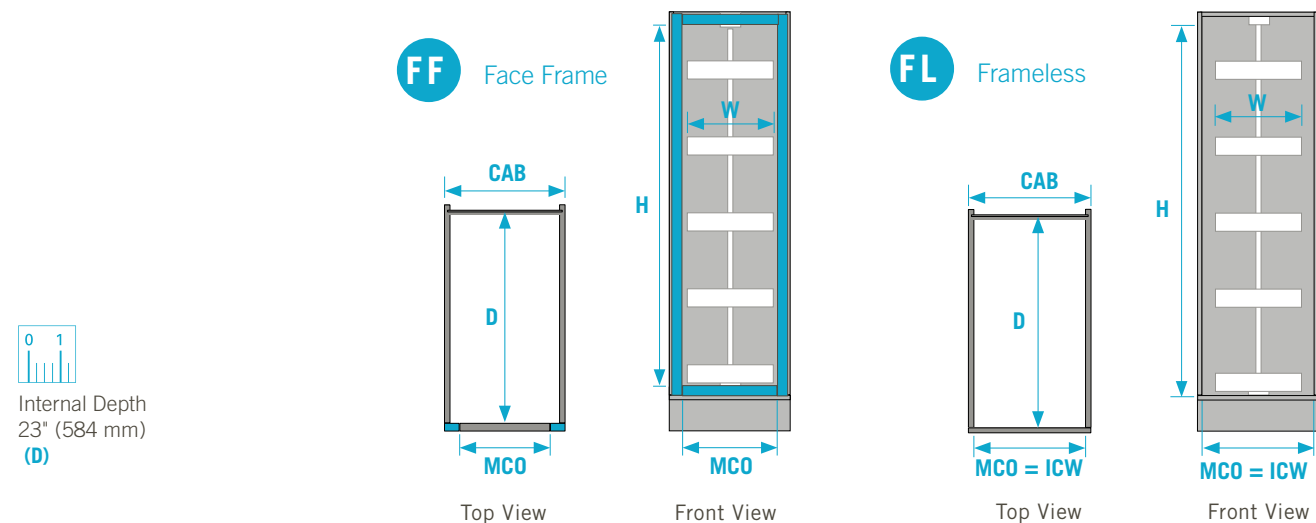
3D Front Adjustment
Simple, fast and trouble free adjustment, even after the unit is installed! Up, down, left, right, in and out adjustments are achieved with a simple turn of a screwdriver.

Color/design options available via special order (see page 50/51)

Get in touch with your Richelieu Sales Rep for more info.

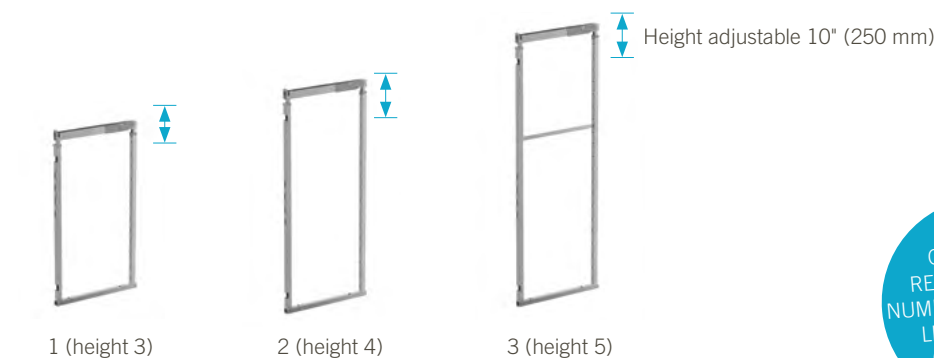


HOW TO ORDER VS TAL® PANTRY



STEP 1: CHOOSE A FRAME (sold each)

The **frame** comes in 3 different heights. Each frame is **telescopic**. Identify your cabinet size.



ORDER THE RECOMMENDED NUMBER OF SHELVES LISTED BELOW (SEE STEP 4)

Picture	Description	Internal Height (H)	Number of Shelves Recommended	Silver Gray
1	Frame	47-1/4" (1200 mm) - 57" (1450 mm)	4 - 5 shelves	908731100
2	Frame	57" (1450 mm) - 67" (1700 mm)	4 - 5 shelves	908732100
3	Frame	67" (1700 mm) - 76-3/4" (1950 mm)	5 - 6 shelves	908733100

STEP 2: ORDER RUNNER (sold each)

Picture	Description	Silver Gray
	Pantry Runner, top and bottom, soft close included	908735100

STEP 3: ORDER DOOR MOUNTING BRACKETS (sold as a pair)

Picture	Description	Product Width (W)	Cabinet Width (CAB)	Silver Gray
1	Door mounting brackets	8-1/2" (216 mm)	12" (305 mm)	902177100
2	Door mounting brackets	11-1/2" (292 mm)	15" (381 mm)	902178100
3	Door mounting brackets	14-1/2" (368 mm)	18" (457 mm)	902179100
4	Door mounting brackets	17-1/2" (444 mm)	21" (533 mm)	902180100

STEP 4: ORDER SHELVES (sold in sets of 2 or 3)

Picture	Description	Product Width (W)	Min. Cabinet Opening (MCO)	Cabinet Width (CAB)	Platinum/Maple
1	Set of 2 shelves	8-1/4" (210 mm)	9" (230 mm)	12" (305 mm)	9583146150
1	Set of 3 shelves	8-1/4" (210 mm)	9" (230 mm)	12" (305 mm)	9584146150
2	Set of 2 shelves	11" (280 mm)	12" (305 mm)	15" (381 mm)	9585146150
2	Set of 3 shelves	11" (280 mm)	12" (305 mm)	15" (381 mm)	9586146150
3	Set of 2 shelves	13-3/4" (350 mm)	15" (381 mm)	18" (457 mm)	9587146150
3	Set of 3 shelves	13-3/4" (350 mm)	15" (381 mm)	18" (457 mm)	9588146150
4	Set of 2 shelves	16-1/2" (420 mm)	18" (457 mm)	21" (533 mm)	9589146150
4	Set of 3 shelves	16-1/2" (420 mm)	18" (457 mm)	21" (533 mm)	9590146150

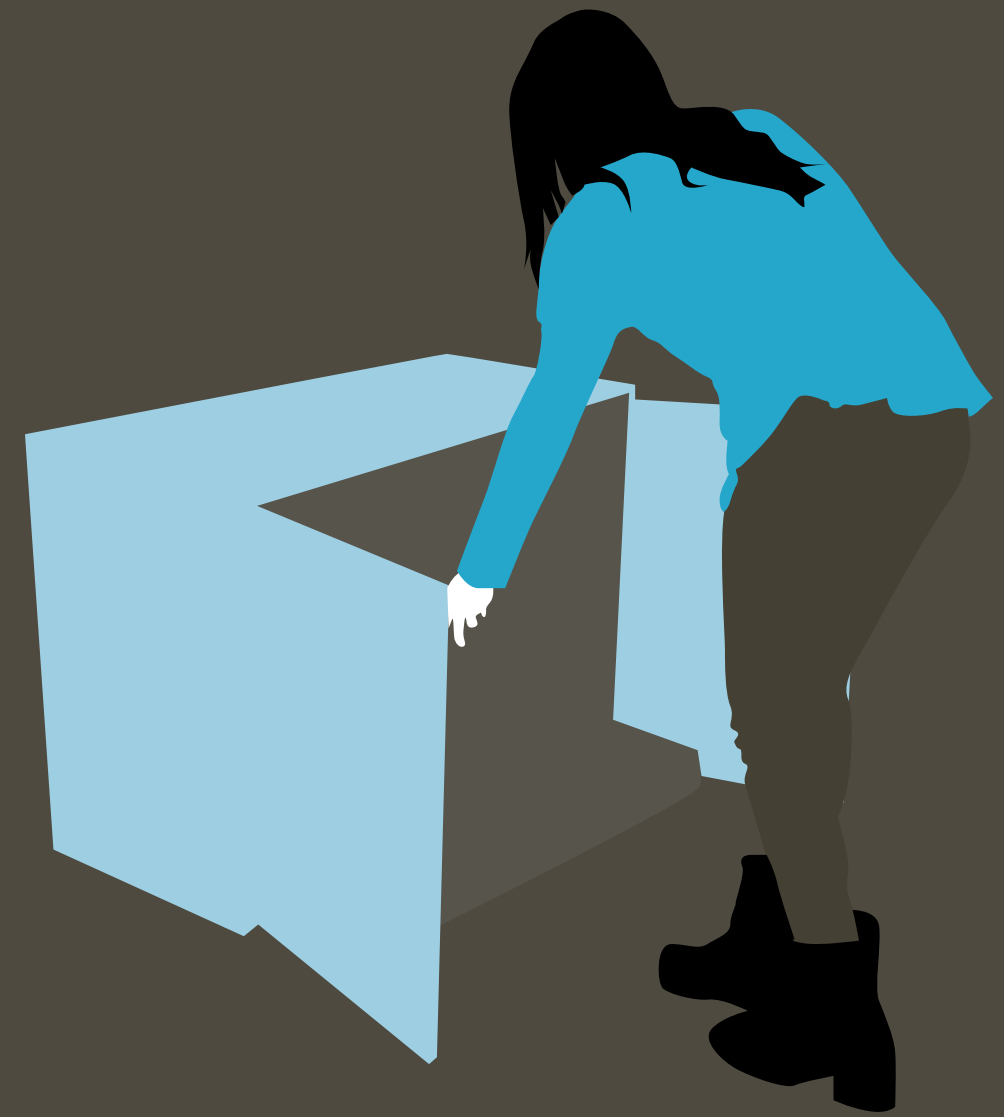
OPTIONAL - STEP 5: ORDER PAM, POWER ASSISTED MOVEMENT

Picture	Description	Silver Gray
	PAM device to enhance the comfort use	908105100

OPTIONAL - STEP 6: ORDER A CENTER BRACKET (sold each)

If internal height is over 57", order additional center bracket to ensure adequate support.

Picture	Description	Product Width (W)	Cabinet Width (CAB)	Silver Gray
1	Center bracket	8-1/2" (216 mm)	12" (305 mm)	902183100
2	Center bracket	11-1/2" (292 mm)	15" (381 mm)	902214100
3	Center bracket	14-1/2" (368 mm)	18" (457 mm)	902215100
4	Center bracket	17-1/2" (444 mm)	21" (533 mm)	902216100



VS SUB[®] – BASE CABINETS

The base cabinet is the foundation of every kitchen. What happens under the countertop is as important as what happens on top. Whether food or cooking utensils, cutlery or dishes,

whether for a small student's flat or a trendy loft – our base cabinet solutions are intelligent, versatile and flexible in order to make everyday life easier.


VS
SUB

  BOTTOM MOUNTED BASE CABINET PULL-OUT

VS SUB® PANTRY

NEAT AND TIDY FROM THE BOTTOM UP.

The new VS SUB® Pantry base unit solution is perfect for anyone who loves a well-organized kitchen. With **full visibility from both sides**, everything is easy to see at a glance and **comfortable to access** — whether you're storing food, kitchen tools, or cleaning supplies, depending on your needs. Even better: **all shelves in the VS SUB® Pantry are fully compatible with the VS TAL® Pantry**, creating maximum flexibility and endless possibilities for customized storage.

- Suited for US cabinets: 12" (305 mm), 15" (381 mm), 18" (457 mm), 21" (533 mm)
- Load capacity: max. 48.5 lbs
- Design: SCALEA
- Finish:  platinum/maple



SCALEA

Color/design options available via special order (see page 50/51)

Get in touch with your Richelieu Sales Rep for more info.



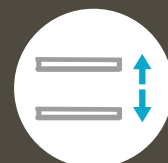
FOR
FACE FRAME &
FRAMELESS
KITCHEN

ADVANTAGES AND BENEFITS



Comfort

Optimal access & visibility, providing ease of utilisation saving time for the user.



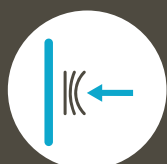
Individual height adjustment of the shelves

Simply adapt the VS SUB® Pantry to your individual needs.



EasyFit

Toolless mounting of frame to slide and door to frame.



Soft- and self-closing

The integrated cushioning mechanism ensures smooth, silent operation.

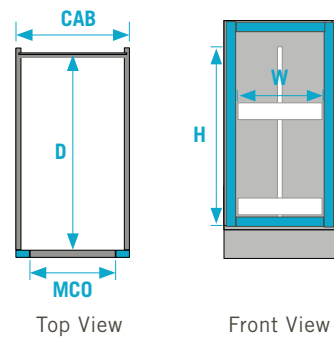


3D front adjustment

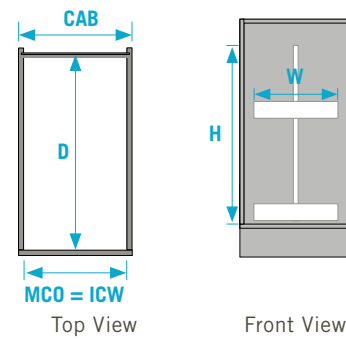
Enables simple, convenient adjustment of the front.

HOW TO ORDER VS SUB® PANTRY

FF Face Frame



FL Frameless



Internal Depth
23" (584 mm)
(D)

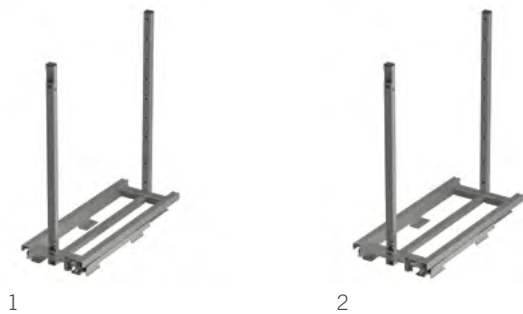
STEP 3: ORDER SHELVES (sold as a pair)

1 set of 2 shelves recommended per frame.



Picture	Description	Product Width (W)	Min. Cabinet Opening (MCO)	Cabinet Width (CAB)	Platinum/Maple
1	Set of 2 shelves	8-1/4" (210 mm)	9" (230 mm)	12" (305 mm)	9583146150
2	Set of 2 shelves	11" (280 mm)	12" (305 mm)	15" (381 mm)	9585146150
3	Set of 2 shelves	13-3/4" (350 mm)	15" (381 mm)	18" (457 mm)	9587146150

STEP 1: ORDER A FRAME - SLIDES INCLUDED (sold each)



Picture	Description	Cabinet Width (CAB)	Min. Internal Height (H)	Silver Gray
1	Frame	12" (305 mm)	26" (660 mm)	910107100
2	Frame	15 (381 mm) - 18" (457 mm)	26" (660 mm)	910109100

STEP 2: ORDER DOOR MOUNTING BRACKETS (sold as a pair)



Picture	Description	Product Width (W)	Cabinet Width (CAB)	Silver Gray
1	Door mounting brackets	6-7/8" (174 mm)	12" (305 mm)	910112100
2	Door mounting brackets	11-7/8" (300 mm)	15 (381 mm)	910114100
3	Door mounting brackets	15-7/8" (400 mm)	18" (457 mm)	910116100





 SIDE MOUNTED BASE CABINET PULL-OUT

VS SUB® SIDE

A NEW LOOK FOR THE BASE UNIT SOLUTION.

More space. More order. More comfort. The VS SUB® Side pull-out brings **effortless access and clean organization** to even narrow cabinet areas. Smooth-gliding and built for stability, it keeps everyday essentials right where you need them—easy to reach, beautifully stored.

- Suited for US cabinets: 9" (229 mm) or 15" (381 mm)
- Load capacity: max. 45 lbs
- Design: SAPHIR | SCALEA
- Finish:  platinum |  platinum/maple



SAPHIR



SCALEA

FOR FACE FRAME & FRAMELESS KITCHEN

ADVANTAGES AND BENEFITS



Comfort

Optimal access & visibility, providing ease of utilisation saving time for the user.



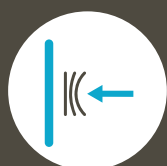
Height adjustable shelves

To provide two or three shelf applications.



Tool-Free Connection

No tools needed when attaching the drawer front.



Integrated Soft Closing

Our integrated damping system provides smooth operation.



Non-handed Installation

No need to worry about right or left handed applications, the VS SUB® Side works both ways.



3D Front Adjustment

Simple, fast and trouble free adjustment, even after the unit is installed. Up, down, left, right, in and out adjustments are achieved with a simple turn of a screwdriver.

Color/design options available via special order (see page 50/51)

Get in touch with your Richelieu Sales Rep for more info.

SAPHIR



lava

SCALEA



lava/maple



lava/walnut



lava/lava

PLANERO®

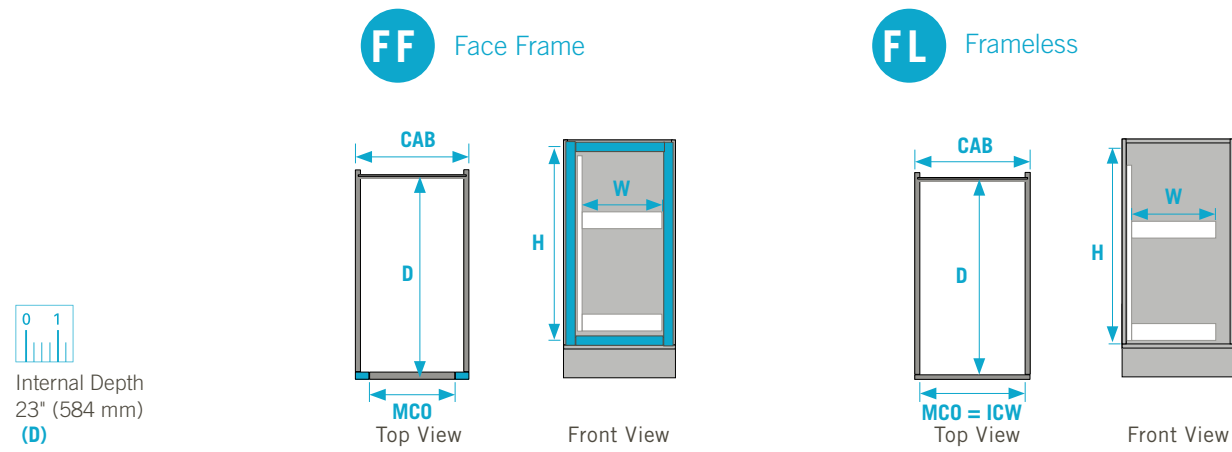


lava/walnut



lava/lava

HOW TO ORDER VS SUB® SIDE



STEP 1: ORDER A FRAME, SLIDES WITH INTEGRATED SOFT-CLOSE INCLUDED (sold each)

Frame is reversible (left or right)



ORDER THE RECOMMENDED NUMBER OF SHELVES LISTED BELOW (SEE STEP 3)

Description	Functionality	Min. Internal Height (H)	Number of Shelves Recommended	Silver Gray
Frame	Non-handed	20" (508 mm)	2 shelves	9011287100
Frame	Non-handed	25" (635 mm)	2 - 3 shelves	9011288100

For Face Frame cabinet, please see STEP 5 and order side spacers.

STEP 2: ORDER 2 FRONT FIXING BRACKETS (sold each)



Description	Silver Gray
Front fixing bracket	9006644100

STEP 3: ORDER SHELVES (sold each)



Picture	Description	Product Width (W)	Min. Cabinet Opening (MCO)	Cabinet Width (CAB)	Platinum
1	Shelf	4-1/16" (104 mm)	6" (152 mm)	9" (229 mm)	911290146
2	Shelf	10-1/16" (255 mm)	12" (305 mm)	15" (381 mm)	911291146



Picture	Description	Product Width (W)	Min. Cabinet Opening (MCO)	Cabinet Width (CAB)	Platinum/Maple
3	Shelf	4-1/16" (104 mm)	6" (152 mm)	9" (228mm)	911292146
4	Shelf	10-1/16" (255 mm)	12" (305 mm)	15" (381mm)	911293146

STEP 4: ORDER SHELF CLIPS (pack of 4)



Description	Silver Gray
Shelf clips (pack of 4 clips accommodates 2 shelves/ 2 clips per shelf)	9010725100

OPTIONAL - STEP 5: IF FACE FRAME CABINET, ORDER 2 LATERAL SPACERS (sold each)



Description	Silver Gray
Side spacer face frame	9011289100



VS ENVI® – WASTE BIN SYSTEMS

Hygiene, environmental awareness and sustainability play a special role in the kitchen – especially in waste disposal. This requires system solutions which

maintain both the cleanliness of the kitchen and a flexible separation. As a result, it's not only your own living space that stays clean, but nature as well.




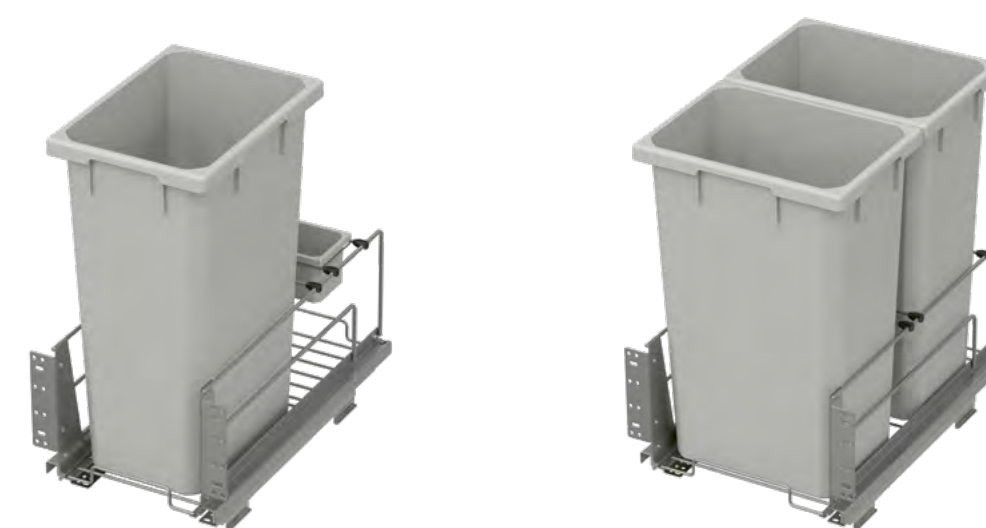
 BOTTOM MOUNTED WASTE BIN

VS ENVI® BMT SAPHIR

NICE AND STABLE FROM THE GROUND UP.

This basic model of a bottom-mounted waste bin system is well thought out from the ground up. The resulting convenience makes daily waste handling nothing to worry about. With silent closing due to **integrated soft-closing** and a device that prevents the bins from wobbling when they are opened and closed, VS ENVI® BMT Saphir is definitely much too good to hide in a cabinet.

- Suited for US cabinets: 15" (381 mm), 18" (457 mm)
- Load capacity: max. 91 lbs
Capacity: 35 qt (single version), 50 qt (double version)
- Finish:  silver/gray



SINGLE VERSION

DOUBLE VERSION

Color options available via special order

Get in touch with your Richelieu Sales Rep for more info.

 lava/lava

FOR
FACE FRAME &
FRAMELESS
KITCHEN

ADVANTAGES AND BENEFITS



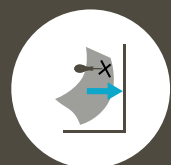
3D Front Adjustment

Allows simple, convenient front adjustments, even after installing it into the cabinet.



Retrofit Ready

Can be installed into an existing cabinet without removing the top.



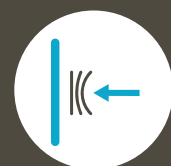
Installation Template For Easy And Fast Installation

No measuring necessary.



Easy Bottom Installation

With just a few screws the mechanism is mounted at the bottom.

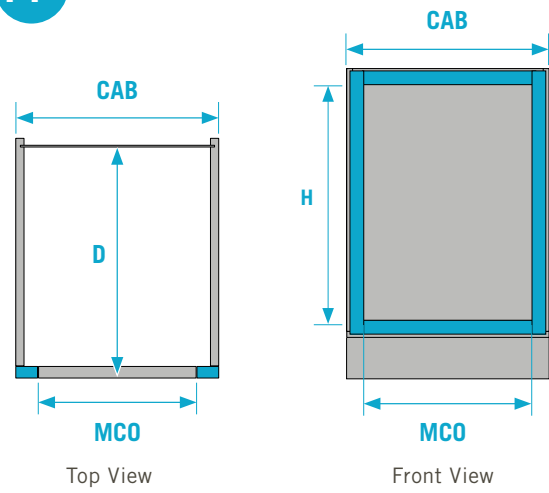


Integrated soft- and self-closing

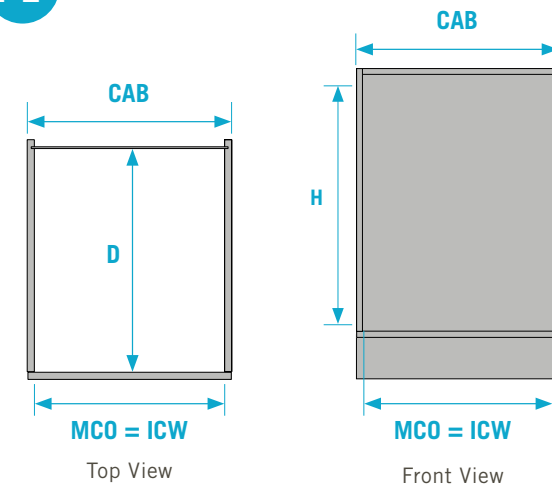
To bring comfort to the user.

HOW TO ORDER VS ENVI® BMT SAPHIR

FF Face Frame



FL Frameless



Internal Depth
22-1/2" (572 mm)
(D)

STEP 2: ORDER THE BINS (sold each)



Picture	Description	Application	Min. Internal Height (H)	Gray
1	Bin 1.5 qt	1 Bin for single frame only (OPTIONAL)		583315100*
2	Bin 35 qt	1 Bin for single frame / 2 bins for double frame	20-1/2" (520 mm)	911835100
3	Bin 50 qt	1 Bin for single frame / 2 bins for double frame	24" (610 mm)	911850100

* The 1.5 qt small bin can be installed only in a single bin application

STEP 1: ORDER A FRAME - SLIDES INCLUDED (sold each)



Picture	Description	Cabinet Width (CAB)	Min. Cabinet Opening FF (MCO)	Min. Cabinet Opening FL (MCO)	Silver
1	Frame single	15" (381 mm)	12" (305 mm)	13-1/4" (337 mm)	959301100
2	Frame double	18" (457 mm)	15" (381 mm)	16-1/4" (413 mm)	959402100



 BOTTOM MOUNTED WASTE BIN WITH OPTIONAL SIDE PANELS

VS ENVI® BMT PLANERO

PREFERABLY CUSTOMIZED ON THE INSIDE.

There has never before been such individuality in the design of waste bin systems. The basic version of the VS ENVI® BMT PLANERO is based on an elegant, solid construction made of powder-coated steel. For added style, optional side panels in walnut or maple décor are available. For even more personalization, **you can create a custom panel in the décor of your choice** - offering endless possibilities to match or experiment with your kitchen's interior and exterior design.

- Suited for US cabinets: 15" (381 mm), 18" (457 mm)
- Load capacity: max. 131 lbs
- Capacity: 35 qt (single version), 50 qt (double version)
- Finish:



SINGLE VERSION



DOUBLE VERSION

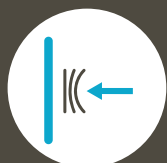
Color/design options available via special order

Get in touch with your Richelieu Sales Rep for more info.



FOR
FACE FRAME &
FRAMELESS
KITCHEN

ADVANTAGES AND BENEFITS



Integrated soft- and self-closing
To bring comfort to the user.



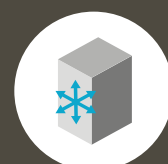
Retrofit Ready
Can be installed in existing cabinetry without removing the countertop.



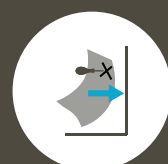
Exchangeable side panels
Allows customizable color changes.



Easy Bottom Installation
With just a few screws the mechanism is mounted at the bottom.



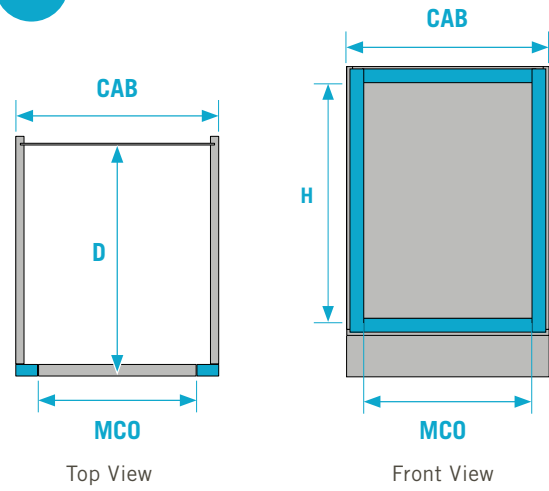
3D Front Adjustment
Allows simple, convenient front adjustments even after installing it into the cabinet.



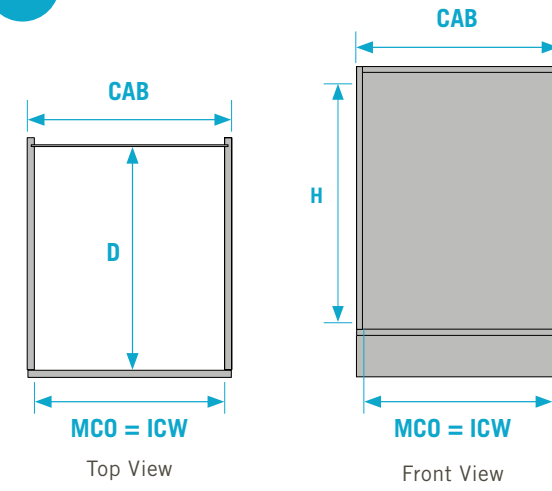
Installation Template For Easy And Fast Installation
No measuring necessary.

HOW TO ORDER VS ENVI® BMT PLANERO

FF Face Frame



FL Frameless



Internal Depth
22-1/2" (572 mm)
(D)

STEP 1: ORDER A FRAME - SLIDES INCLUDED (sold each)



Picture	Description	Cabinet Width (CAB)	Min. Cabinet Opening FF (MCO)	Min. Cabinet Opening FL (MCO)	Silver
1	Frame single	15" (381 mm)	12" (305 mm)	13-1/4" (337 mm)	959501100
2	Frame double	18" (457 mm)	15 (381 mm)	16-1/4" (413 mm)	959602100

STEP 2: ORDER THE BINS (sold each)



Picture	Description	Application	Min. Internal Height (H)	Gray
1	Bin 1.5 qt	1 Bin for single frame only		583315100*
2	Bin 35 qt	1 Bin for single frame / 2 bins for double frame	20-1/2" (520 mm)	911835100
3	Bin 50 qt	1 Bin for single frame / 2 bins for double frame	24" (610 mm)	911850100

* The 1,5 qt small bin can be installed only in a single bin application

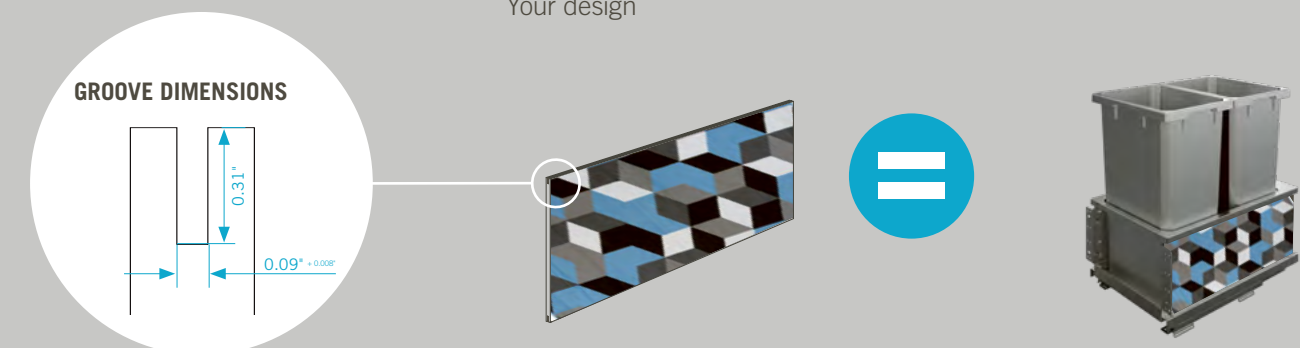
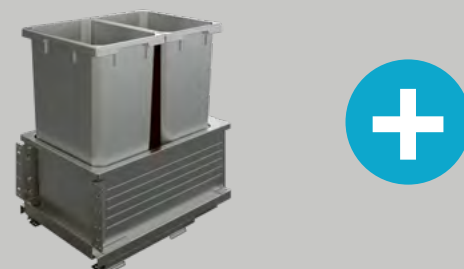
OPTIONAL - STEP 3: ORDER SIDE PANELS (sold as a pair)



Picture	Description	Code
1	Wood panels maple	912000150
2	Wood panels walnut	912000161

CUSTOMIZE YOUR PANELS

- Side panels can be made of solid wood, melamine or laminate panels.
- Cut your side panel to the size:
 - Panel Size: 21.85" Width x 7.60" Height x 0.31" Thick
 - Dimension of Groove Deep = 0.21" Deep x 0.09" Groove Width
- Slide the side panel into your unit for a customized look.



VS
COR



VS COR® – CORNER CABINETS

A corner cabinet is not simply a cabinet placed in a corner. With this conceptual approach, we have developed cabinet solutions that not only optimally utilize angled spaces, but instead put

the corner right in the centre of the kitchen experience. As a result, we open up unseen perspectives in the kitchen and allow people to experience space in a new way.

 BLIND CORNER WITH INDEPENDENT TRAYS

VS CORNERSTONE® MAXX

THE MAXXIMUM IN INNOVATION.

When you open the corner cabinet in the kitchen, you need a solution that meets you with the full contents – **without obstructing the adjacent cabinets**. VS CORNERSTONE® Maxx fulfills this need. **Straight-extending kinematics with power assisted movement (PAM)**, floating design with wide, stable shelf surfaces and simple installation. Your kitchen is upgraded in every respect as a result.

- Suited for US cabinets: 36" (900 mm), 39" (1000 mm)
- Load capacity: max. 55 lbs per shelf
- Design: SCALEA
- Finish:  platinum/maple



FOR FACE FRAME & FRAMELESS KITCHEN

ADVANTAGES AND BENEFITS



PAM - Power Assisted Movement
Dual-direction power mechanism, makes accessing and returning shelves super easy. POWER OPEN, POWER CLOSE.



Fewer Parts – Less Warehousing- Less Labor
The system consists of just three parts.



EasyFit
Tool-free installation of the shelves on the support arms.



Proprietary Nonhanded Installation
No need to worry about right or left handed applications, the VS CORNERSTONE Maxx fitting works both ways!



Three Simple Installation Steps
For fast and easy installation.



Simple Height Adjustable Trays
Ability to adjust shelves with comfort by two simple moves.




PAM: OPTIONAL POWER ASSISTED MOVEMENT –
Smooth movement for maximum comfort

Maximum ergonomics and effortless handling: our Power Assisted Movement (PAM) ensures smooth and even movement.

- Soft-close and soft-open mechanism
- Smooth movement thanks to optimized power transmission
- Durable & reliable - Tested for the highest loads

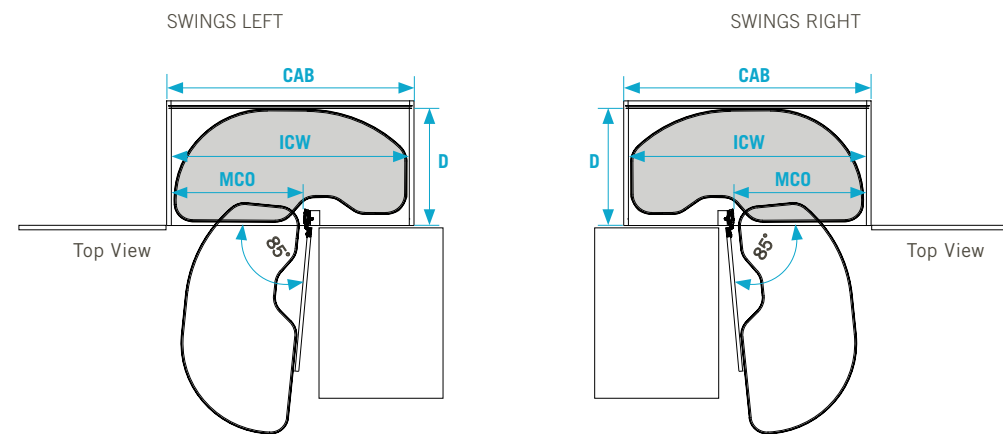
Color/design options available via special order (see page 50/51)

Get in touch with your Richelieu Sales Rep for more info.

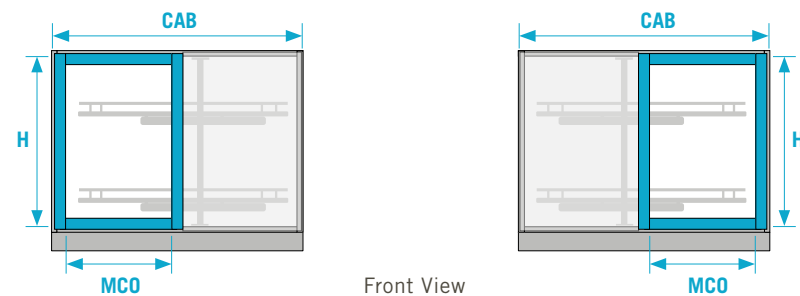


HOW TO ORDER VS CORNERSTONE® MAXX

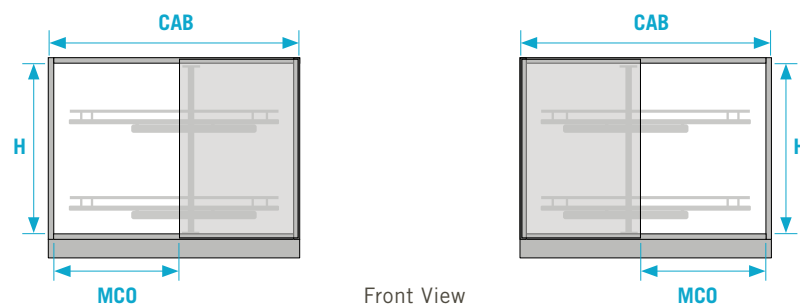
Internal Depth
19-1/3" (491 mm)
(D)



FF Face Frame



FL Frameless

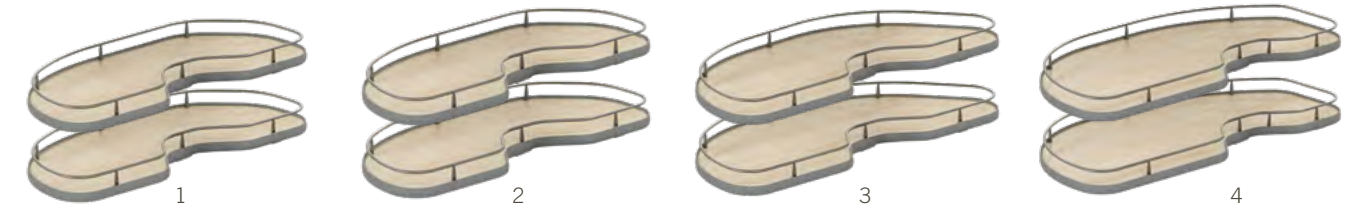


STEP 1: ORDER A NON-HANDED FRAME - SOFT CLOSE AND PAM DEVISE INCLUDED (sold each)



Description	Internal Height (H)	Silver Gray
Mechanism for all door openings	25-5/8" (650 mm) - 31-1/2" (800 mm)	9001370100

STEP 2: ORDER LEFT OR RIGHT SHELVES (sold as set of 2 shelves)

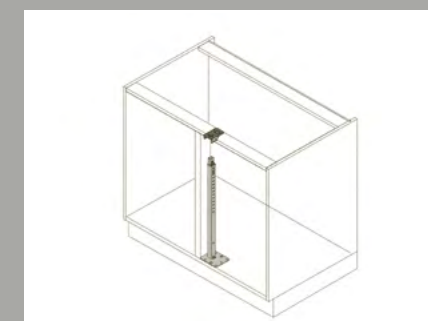


Picture	Description	Access	Min. Cabinet Opening FF (MCO)	Min. Cabinet Opening FL (MCO)	Cabinet Width (CAB)	Int. Cabinet Width (ICW)	Platinum/Maple
1	Shelves	Left	12" (305 mm)	14-1/4" (361 mm)	32" (800 mm)	30" (762 mm)	9909146150
1	Shelves	Right	12" (305 mm)	14-1/4" (361 mm)	32" (800 mm)	30" (762 mm)	9109146150
2	Shelves	Left	15" (381 mm)	16-1/4" (411 mm)	36" (900 mm)	33-1/2" (851 mm)	9556146150
2	Shelves	Right	15" (381 mm)	16-1/4" (411 mm)	36" (900 mm)	33-1/2" (851 mm)	9557146150
3	Shelves	Left	18" (457 mm)	18-1/4" (461 mm)	39" (1000 mm)	37-1/2" (953 mm)	9558146150
3	Shelves	Right	18" (457 mm)	18-1/4" (461 mm)	39" (1000 mm)	37-1/2" (953 mm)	9559146150
4	Shelves	Left	21" (533 mm)	22-1/8" (561 mm)	39" (1000 mm)	37-1/2" (953 mm)	9560146150
4	Shelves	Right	21" (533 mm)	22-1/8" (561 mm)	39" (1000 mm)	37-1/2" (953 mm)	9561146150

VS CORNERSTONE® MAXX INSTALLATION STEPS:

STEP 1:

- Fitting upper attachment point
4 screws
- Support tube installation
2 pins - 5 screws



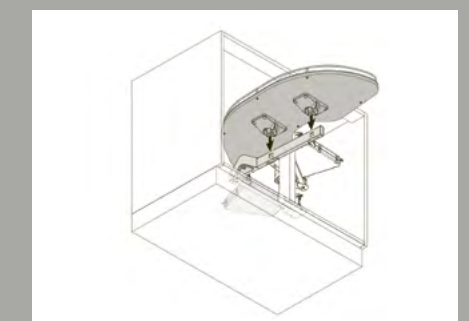
STEP 2:

- Sliding on support arms
- Fixing and locking support tube



STEP 3:

- Fixing and locking support arms
- Click-on shelves






VS CORNERSTONE® SWING

THE CORNER IN THE CENTER.

The CORNERSTONE® Swing blind corner fitting moves the entire content in front of the unit, thereby unlocking completely new design perspectives. The shelves swivel out to a comfortable distance away from the cabinet; **everything is within easy reach**. Each shelf can be attached at the required height, and the **shelves disappear back inside the unit when the door is closed**.

- Suited for US cabinets: 32" (800 mm), 36" (900 mm), 39" (1000 mm)
- Load capacity: max. 40 lbs per shelf
- Design: SCALEA
- Finish:  platinum/maple



TIP:
Add the optional door connector to attach the shelf to the door - so it automatically slides out when opening.

ADVANTAGES AND BENEFITS



Retrofit Ready

Can be installed in existing cabinetry without removing the countertop.



L-Movement

This unique movement of the shelves allows easy access to neighbouring cabinets.



Easy Assembly

Only support pole needs to be mounted.



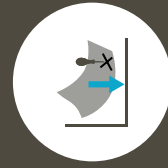
Independent Movement Of Shelves

For more convenient and better access to the lower shelf.



Nonhanded Installation

No need to worry about right or left handed applications, the VS CORNERSTONE® Swing works both ways!



Installation Template Included For Easy Installation

Measure your opening – then line up with the arrow on the installation template. Excellent results in minutes.

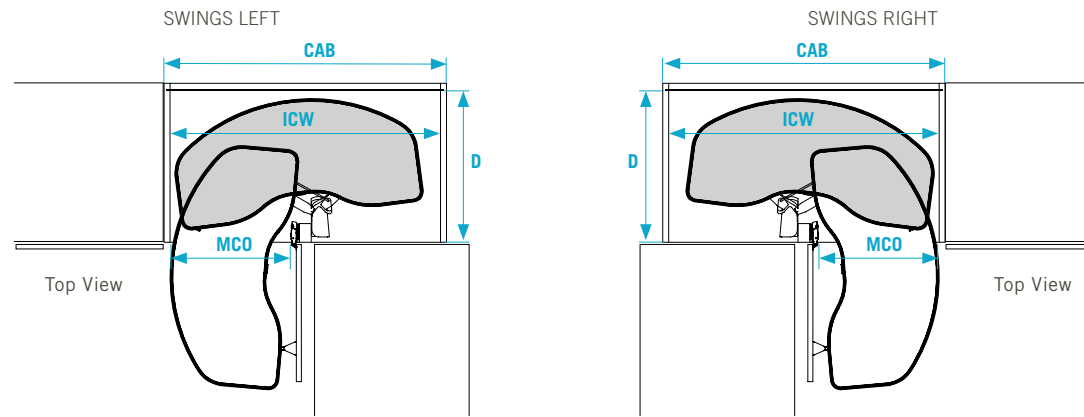
Color/design options available via special order (see page 50/51)

Get in touch with your Richelieu Sales Rep for more info.



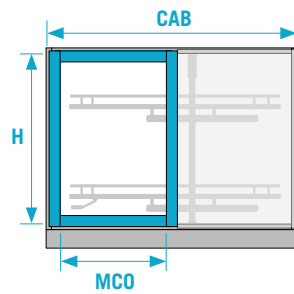
FOR
FACE FRAME &
FRAMELESS
KITCHEN

HOW TO ORDER VS CORNERSTONE® SWING

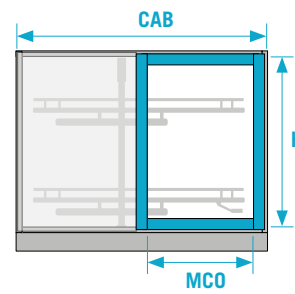


Internal Depth
20-1/8" (511 mm)
(D)

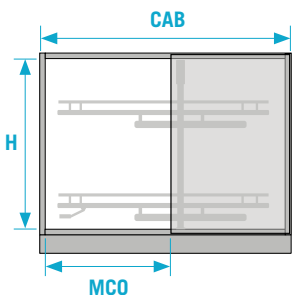
FF Face Frame



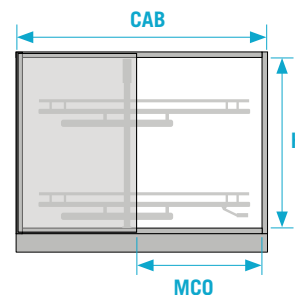
Front View



FL Frameless



Front View



STEP 1: ORDER A NON-HANDED FRAME (sold each)



Description	Internal Height (H)	Silver Gray
Mechanism for all door openings	27-1/4" (691 mm) - 28-3/4" (730 mm)	9011310100

STEP 2: ORDER NON-HANDED SHELVES (sold as set of 2 shelves)



Picture	Description	Access	Min. Cabinet Opening (MCO)	Cabinet Width (CAB)	Internal Cabinet Width (ICW)	Platinum/Maple
1	Shelves	Left and right	15" (381 mm)	32" (800 mm)	30" (762 mm)	9303146150
2	Shelves	Left and right	18" (457 mm)	36" (900 mm)	33-1/2" (851 mm)	9562146150
3	Shelves	Left and right	21" (533 mm)	39" (1000 mm)	37-1/2" (953 mm)	9563146150
4	Shelves	Left and right	24" (610 mm)	39" (1000 mm)	37-1/2" (953 mm)	9564146150

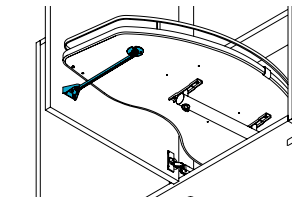
OPTIONAL - STEP 3: ORDER A SOFT CLOSE MECHANISM (sold each)



Description	Silver Gray
Swing soft-close	908183100

OPTIONAL - STEP 4: LOWER DOOR CONNECTOR (sold each)

Allows the bottom tray to rotate outward automatically when the door is opened.



Description	Silver Gray
Lower door connector	9011549100

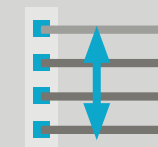
COMPARISON

VS CORNERSTONE® Maxx

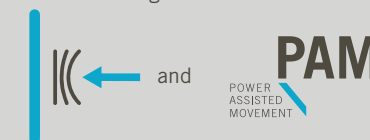


1. No blocking of neighboring cabinet
2. Trays can be moved independently

non-handed hardware
handed trays



grid



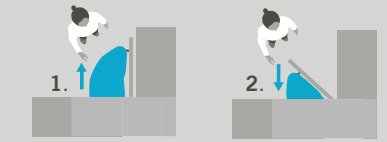
450 in²
(cabinet opening 21")

110 lbs

2

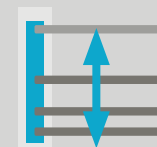
VS

VS CORNERSTONE® Swing

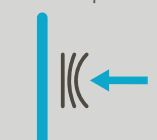


- 1./2. Optional: Lower tray automatically slides in/out when cabinet is closed/opened

non-handed hardware
non-handed trays



stepless



389 in²
(cabinet opening 21")

80 lbs

3

HANDED /
NON-HANDED

HEIGHT
ADJUSTABILITY
OF TRAYS

SOFT-CLOSE

TOTAL
SURFACE AREA
PER TRAY

WEIGHT
CAPACITY
load capacity
in total

AMOUNT OF
BUILT-IN
PARTS
fixed to cabinet

SQUARE CORNER SOLUTION

VS COR® FLEX

BLIND CORNER PULL-OUT WITH 100% ACCESS.

Even the largest storage space is useless if it's not accessible. That's why this system enables **full access** to the cabinet contents, transforming every corner into functional space. **Installation is non-handed:** the frame is mounted to the bottom of the corner cabinet.

- Suited for US cabinets: 36" (900 mm), 39" (1000 mm)
- Load capacity: max. 15.5 lbs per shelf, 62 lbs in total
- Design: SAPHIR | SCALEA
- Finish: platinum | platinum/maple



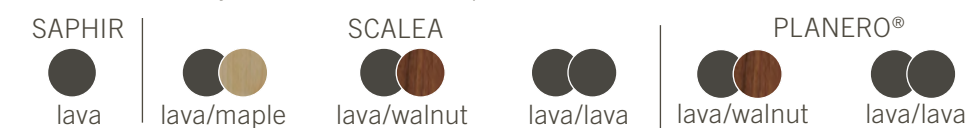
SAPHIR



SCALEA

Color/design options available via special order (see page 50/51)

Get in touch with your Richelieu Sales Rep for more info.



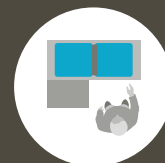
FOR FACE FRAME & FRAMELESS KITCHEN

ADVANTAGES AND BENEFITS



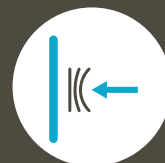
Retrofit Ready

Can be installed in existing cabinetry without removing the countertop.



Maximum Access

Unique design allows easy access to 100% of the shelf capacity.



Integrated Soft And Self-Closing

Damping mechanism for smooth and silent operation. No more rattling of pots and pans.



Nonhanded Installation

No need to worry about right or left handed applications, the VS COR® Flex works both ways!



Easy Bottom Mount Installation

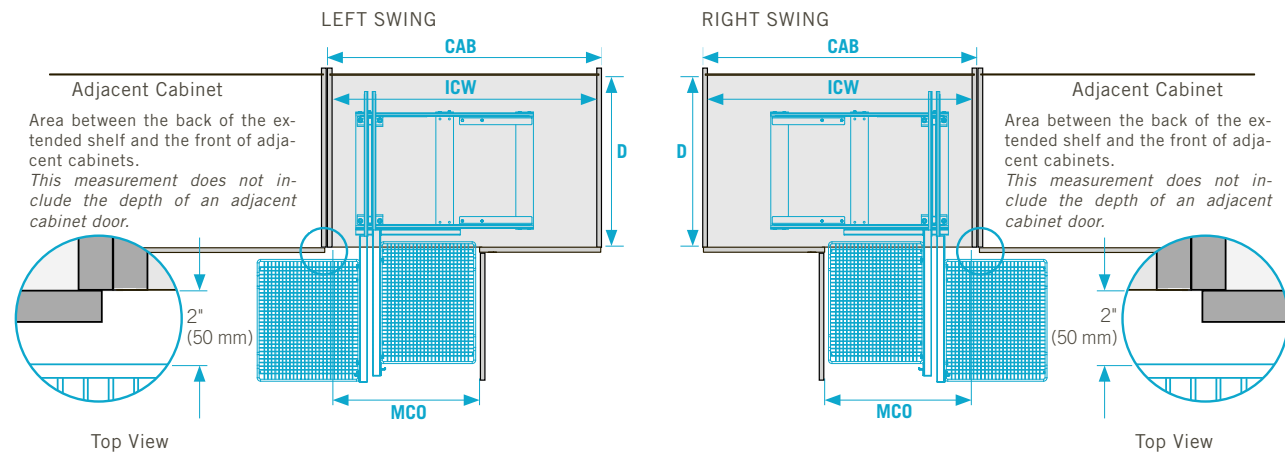
Just a few screws secure the frame to the cabinet, and the VS COR® Flex is ready for action!



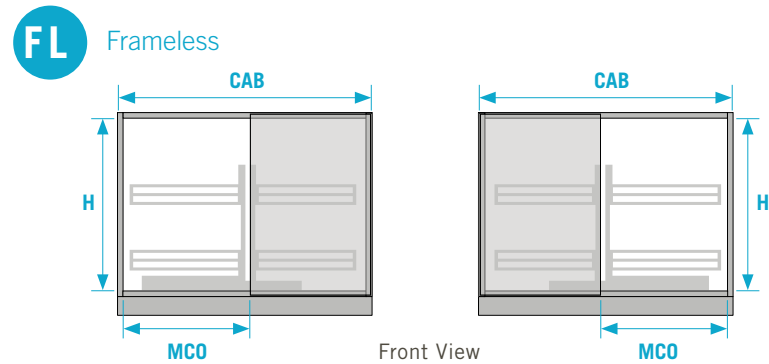
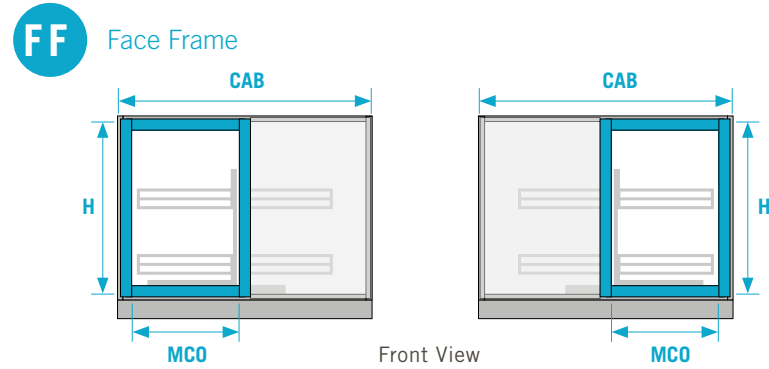
Lock-System

This frame only allows desired movement, preventing accidental closing of shelves and potential damage to surrounding cabinets.

HOW TO ORDER VS COR® FLEX



0 1
Internal Depth
21-5/8" (549 mm)
(D)

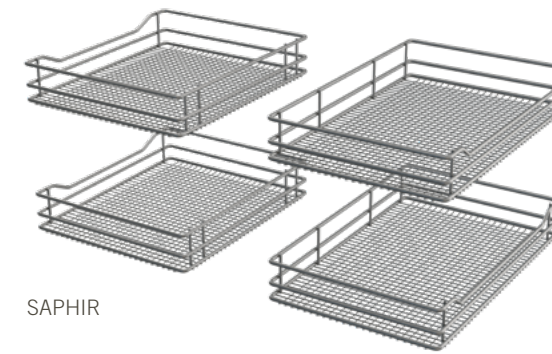


STEP 1: ORDER A NON-HANDED FRAME - SLIDES AND SOFT CLOSE INCLUDED (sold each)

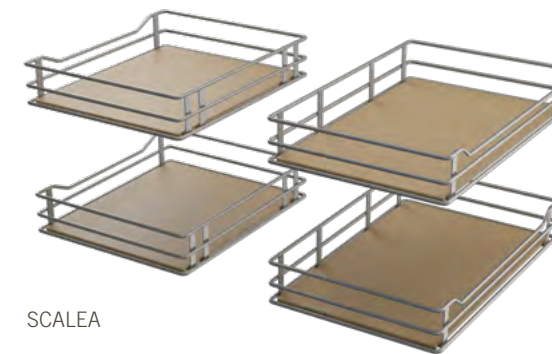


Description	Min. Cabinet Opening (MCO)	Cabinet Width (CAB)	Internal Cabinet Width (ICW)	Min. Internal Height (H)	Silver Gray
Frame	15" (381 mm)	36" (900 mm)	33-1/2" (851 mm)	22-1/2" (572 mm)	6112900100
Frame	17-1/2" (445 mm)	39" (1000 mm)	37-1/2" (953 mm)	22-1/2" (572 mm)	6113100100

STEP 2: ORDER SHELVES (sold in set of 4)



Description	Min. Cabinet Opening (MCO)	Platinum
Shelves	15" (381 mm)	956536146
Shelves	17-1/2" (445 mm)	956639146



Description	Min. Cabinet Opening (MCO)	Platinum/Maple
Shelves	15" (381 mm)	9567146150
Shelves	17-1/2" (445 mm)	9568146150





VS COR® WHEEL PRO

EVERYTHING REVOLVES AROUND YOU.

When it comes to kitchen corners, the more accessible storage space, the better. That's why this corner cabinet solution has **no central, space-consuming standpipe**, which gives you **up to 20 percent more storage area** – ideal for bulky kitchenware. The bases are held stable by a traverse running crosswise through the cabinet. The **hidden mechanism** also supports the aesthetic impression.

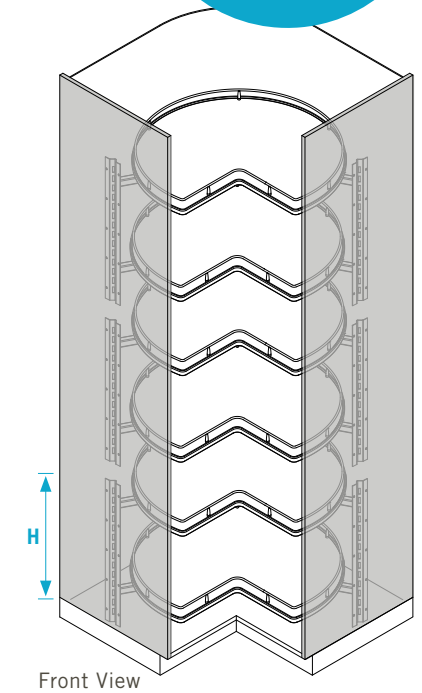
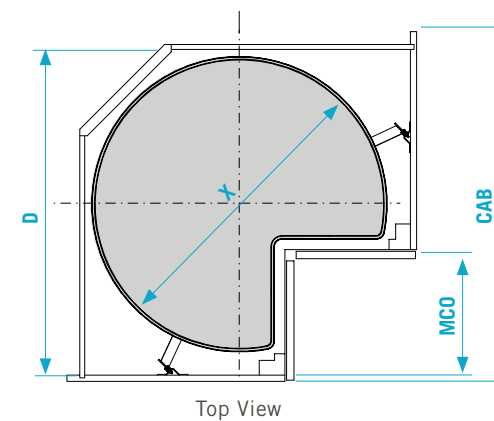
- Suited for US cabinets:
32" (800 mm), 36" (900 mm)
- Load capacity: max. 60 lbs per shelf
- Design: SCALEA
- Finish: platinum/maple



VS COR® WHEEL PRO IS STACKABLE AND IDEAL FOR USE IN TALL CABINETS.

Color/design options available via special order (see page 50/51)

Get in touch with your Richelieu Sales Rep for more info.

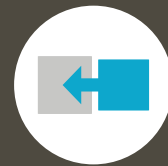


ADVANTAGES AND BENEFITS



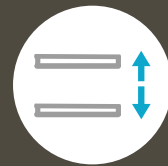
Comfort

With no center pole, this innovative european design is the most accessible lazy susan system today, with a total view approach.



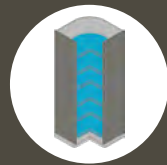
Retrofit Ready

Can be installed into existing cabinetry without removing the countertop.



Height Adjustable Trays

Each shelf is easily adjusted up or down, allowing you to custom build your own VS COR® Wheel Pro to your tastes and needs.



For Base And Tall Cabinets

Can be installed not only in base cabinets but also in tall cabinets.



EasyFit

Tool-free installation of shelves on the support arms and the support arms on the side grid.

Description	Internal Depth (D)	Cabinet Width (CAB)	Shelf Diameter (X)	Min. Int. Height (H)	Platinum/Maple
Kidney 27"	29-3/8" (745 mm)	32" (812 mm)	26-3/4" (680 mm)	25" (635 mm)	9569146150
Kidney 29"	33-3/8" (847 mm)	36" (914 mm)	28-3/8" (720 mm)	25" (635 mm)	9570146150

Includes Installation Hardware

FOR FACE FRAME & FRAMELESS KITCHEN



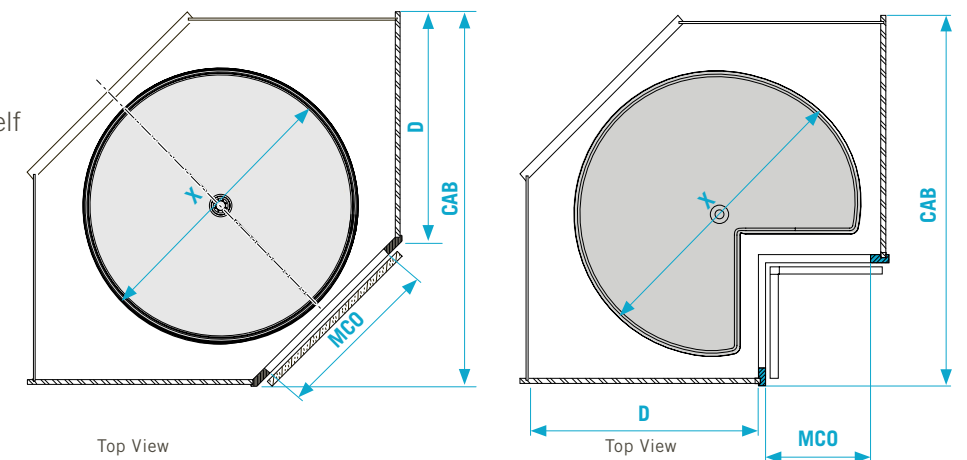


VS COR® SUSAN KIDNEY FULLROUND

YOUR PERFECT TURN TOWARDS COMFORT.

A quick twist and pots, pans, everything you need in the kitchen every day comes effortlessly into reach. The VS COR® Susan system offers not only robust storage comfort for chefs, even during assembly the sophisticated system **Made in the US** proves to be particularly uncomplicated and convenient. The **unique snap support** locks the trays securely in place, while the **double-walled construction** makes it easy to carry heavy cooking equipment.

- Suited for US cabinets:
24" (610 mm), 27" (686 mm),
39" (1000 mm), 42" (1067 mm)
- Load capacity: max. 48 lbs per shelf
- Design: Fullround, Kidney polymer shelves
- Finish: white



SOLD IN COMPLETE SET INCLUDING THE SHELVES

Picture	Description	Min. Internal Depth (D)	Cabinet Width (CAB)	Shelf Diameter (X)	Internal Height (H)	White
1	Fullround	12" (305 mm)	24" (610 mm)	18" (457 mm)	26" (660 mm) - 32" (813 mm)	18211830
2	Kidney	15" (381 mm)	27" (686 mm)	24" (610 mm)	26" (660 mm) - 32" (813 mm)	25212430
3	Kidney	24" (610 mm)	39" (1000 mm)	28" (711 mm)	26" (660 mm) - 32" (813 mm)	28212830
4	Kidney	24" (610 mm)	42" (1067 mm)	32" (812 mm)	26" (660 mm) - 32" (813 mm)	32213230

FOR FACE FRAME & FRAMELESS KITCHEN

ADVANTAGES AND BENEFITS



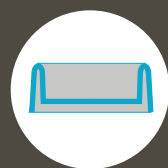
EasyFit

Assembly is quick and easy.
No tools are required.



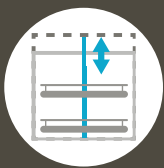
Assymetric Barrel Guide

Guarantees balanced rotary motion.



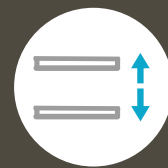
Double Layer Edge of Shelves

Increases stability.



Height Adjustable

Standpipe Adapts to different cabinet heights.



Height Adjustable Trays

The shelves can be height adjusted even after installation.



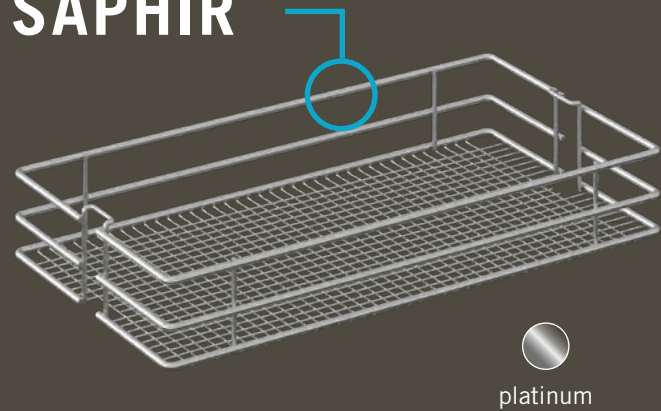
Retrofit Ready

Can be installed in existing cabinetry without removing the countertop.

DESIGNS

VERSATILE AND FLEXIBLE Shape and material are often a matter of taste when choosing a design. For this reason, the entire Vauth-Sagel program is designed as a modular system in which the guide and the frame can be combined with all storage designs.

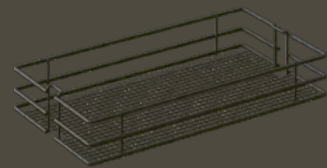
SAPHIR



platinum

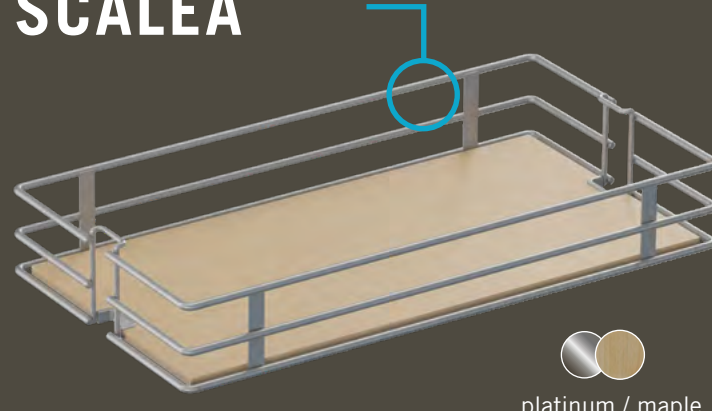
COLORS

THESE COLORS AVAILABLE ON REQUEST



lava

SCALEA



platinum / maple

COLOR COMBINATIONS



lava / maple

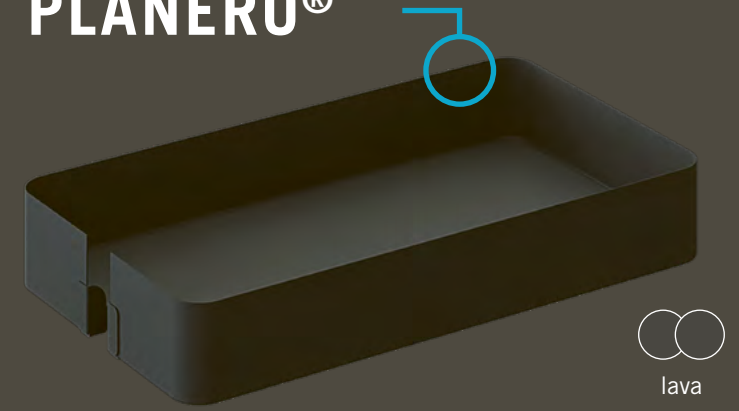


lava / walnut



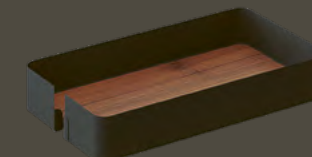
lava / lava

PLANERO®



lava

COLOR COMBINATIONS



lava / walnut

A GEM IN TERMS OF AESTHETICS AND FUNCTIONALITY

This fine mesh wire basket shelf offers a unique look and a stability that can easily cope with any kind of load.

TIMELESS DESIGN FOR AMERICAN KITCHENS

This timeless shelf version upgrades any cabinet interior with a solid wood shelf with an elegant wire guard rail. The wooden shelf offers an optimum base for safely storing everything that's in daily use.

STORAGE DESIGN FOR THOSE WHO LOVE AESTHETICS

Planero ensures that high-quality kitchen design continues seamlessly inside and that the interior and the exterior merge into a consistent whole. The high-quality storage product line with a soft, rounded design makes it possible for you to express your individuality.



Fine mesh wire basket shelf



Exclusive construction method for excellent stability



Ensures air circulation and transparency



Timeless design



High-quality, elegant wire guard rail



Solid wooden shelf for reliable stability



Closed storage shelf with elegant sheet-metal edge



Sealing strip all the way round the wooden shelf



Concealed basket brackets

HEINRICH SAGEL (LEFT) AND
HERMANN VAUTH (RIGHT)



Everything starts with an idea. An idea that we believe in, that drives us every day and that surprises and excites us again and again.

” *We want to create high-quality system solutions for living spaces. For everyone, everywhere in the world!*

This is the idea that Hermann Vauth and Heinrich Sagel conceived in 1962. And that we still hold on to today. Every day. To us, space is in the eye of the beholder. We see solutions where others look away. We never rest on our laurels. We are always thinking one step ahead and looking for new challenges in order to recognize and redefine the living spaces of tomorrow and to facilitate and beautify everyday life.

SUSTAINABILITY

WE DON'T JUST TALK ABOUT IT.
WE PUT IT INTO PRACTICE.

Responsibility for people and the environment is firmly anchored at the core of our business and is inextricably linked to the corporate success of our company. That is why we have invested considerably in the consistent implementation of resource-saving measures. We are proud of results, which prove that it is possible to move mountains: 50% energy savings through conversion to LED

lighting, 44% through optimization of the compressed air system and a 35% saving in resources through powder coating are examples of the path that Vauth-Sagel is taking: in the direction of efficient, sustainable recycling management and, as a consequence, a healthy environment with clean water, fertile soils and clean air.

Read our full environmental report here:



EXEMPLARY MEASURES IN OUR PLANTS



Sustainable heating



Identification of compressed air energy saving potentials



Reduction of electricity consumption



Sustainable painting



Power generation through photovoltaics



Optimization of building management and control technology



Sustainable fleet management

USEFUL INFORMATION

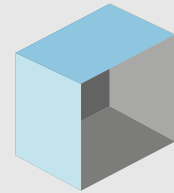
DIMENSIONS

1



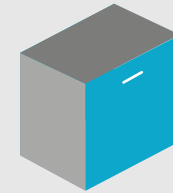
INNER DIMENSIONS

To determine the correct depth of the cabinets, it is not enough to measure only the side outside. Therefore, always measure the cabinet from the inside as well.



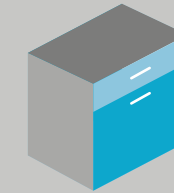
EXTERNAL DIMENSIONS

In addition, specify the external dimensions of the cabinet. These dimensions usually correspond to the cabinet module in inch.



FULL-HEIGHT CABINETS

The product uses the full height of the cabinet.



DRAWER/DOOR CABINETS

The product leaves enough space for a drawer above.

4

APPLICATION

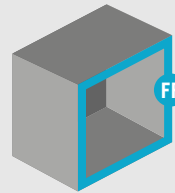
STYLE

2



FRAMELESS / FULL ACCESS

Frameless cabinets provide a modern look and are most commonly seen in European modular-style kitchens. Since the face frame of the cabinet is left out, these cabinets offer full access to the cabinet interior, and larger drawer box capacity.



FACE FRAME

A frame is fixed to the front of the cabinet. This is seen in traditional cabinetry. We assume a 1 1/2" face frame.

BLIND CORNERS

3



LEFT DOOR / BLIND RIGHT

If the blind space is to the right, then the door opens to the left. Then the correct shelves are left shelves.

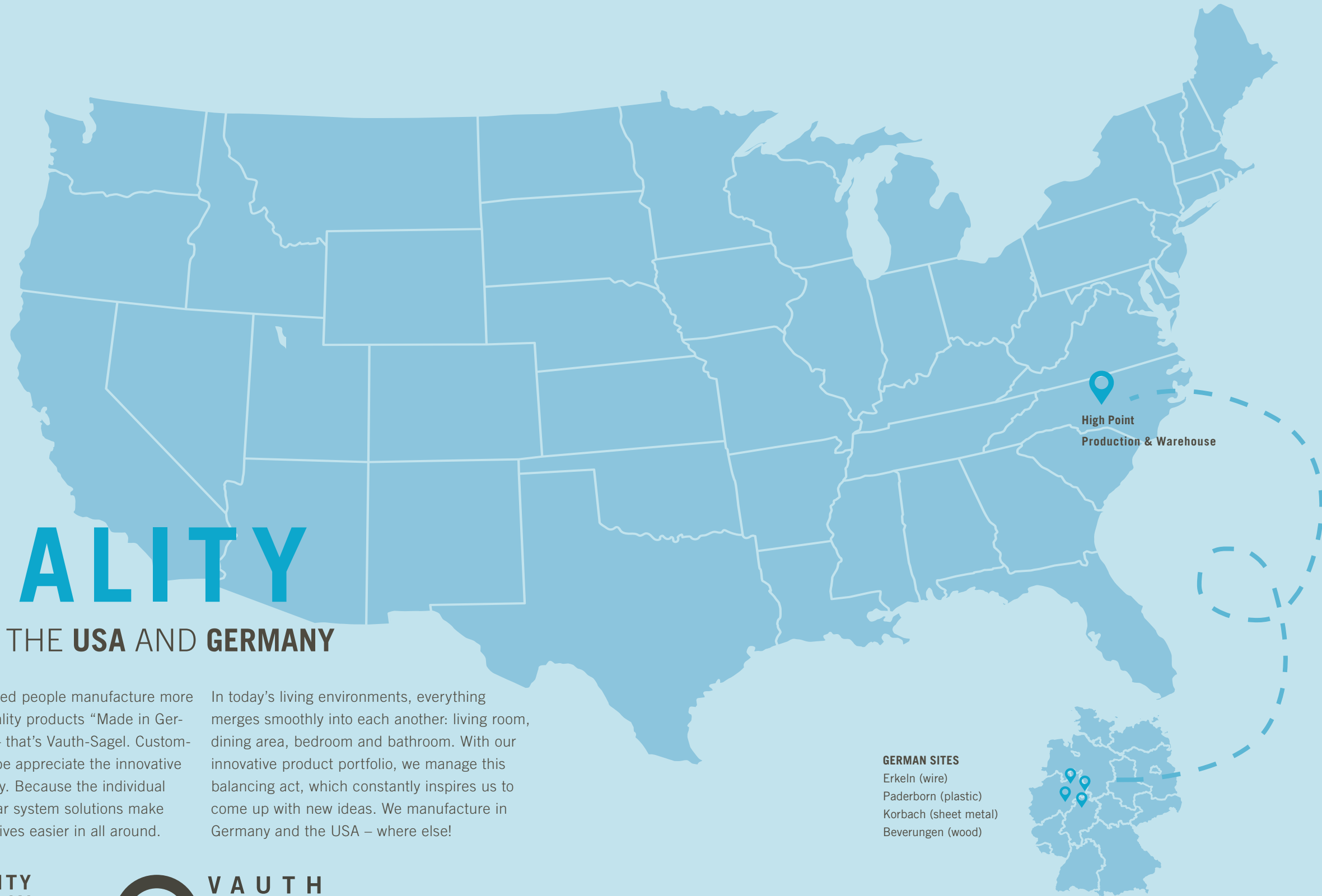


RIGHT DOOR / BLIND LEFT

If the blind space is to the left, then the door opens to the right. Then the correct shelves are right shelves.

SHORTCUTS

CAB	Cabinet Width	The cabinet width refers to the size of the cabinet the product is designed for.
MCO	Minimum Cabinet Opening	The pure opening size of the cabinet through which the product should fit.
ICW	Internal Cabinet Width	The pure width between the inner cabinet side walls.
D	Installation Depth	The minimum depth you need to ensure the product fits perfectly.
H	Installation Height	The minimum internal height you need to ensure that the product fits perfectly.
W	Basket or Product Width	The pure width of the product or cabinet.



QUALITY

MADE IN THE USA AND GERMANY

When 1,000 qualified people manufacture more than 85 million quality products “Made in Germany” every year – that’s Vauth-Sagel. Customers around the globe appreciate the innovative strength and quality. Because the individual solutions or modular system solutions make people’s everyday lives easier in all around.

In today’s living environments, everything merges smoothly into each another: living room, dining area, bedroom and bathroom. With our innovative product portfolio, we manage this balancing act, which constantly inspires us to come up with new ideas. We manufacture in Germany and the USA – where else!

GERMAN SITES

- Erkeln (wire)
- Paderborn (plastic)
- Korbach (sheet metal)
- Beverungen (wood)



X





VAUTH-SAGEL.COM

TEL.: 1 336 861 0740

1821 BAKER RD

HIGH POINT, NC 27263, USA



RICHELIEU.COM

CANADA

UNITED STATES

TEL.: 1 800 361-6000

TEL.: 1 800 619-5446

FAX: 1 800 363-0193

FAX: 1 800 876-7454

