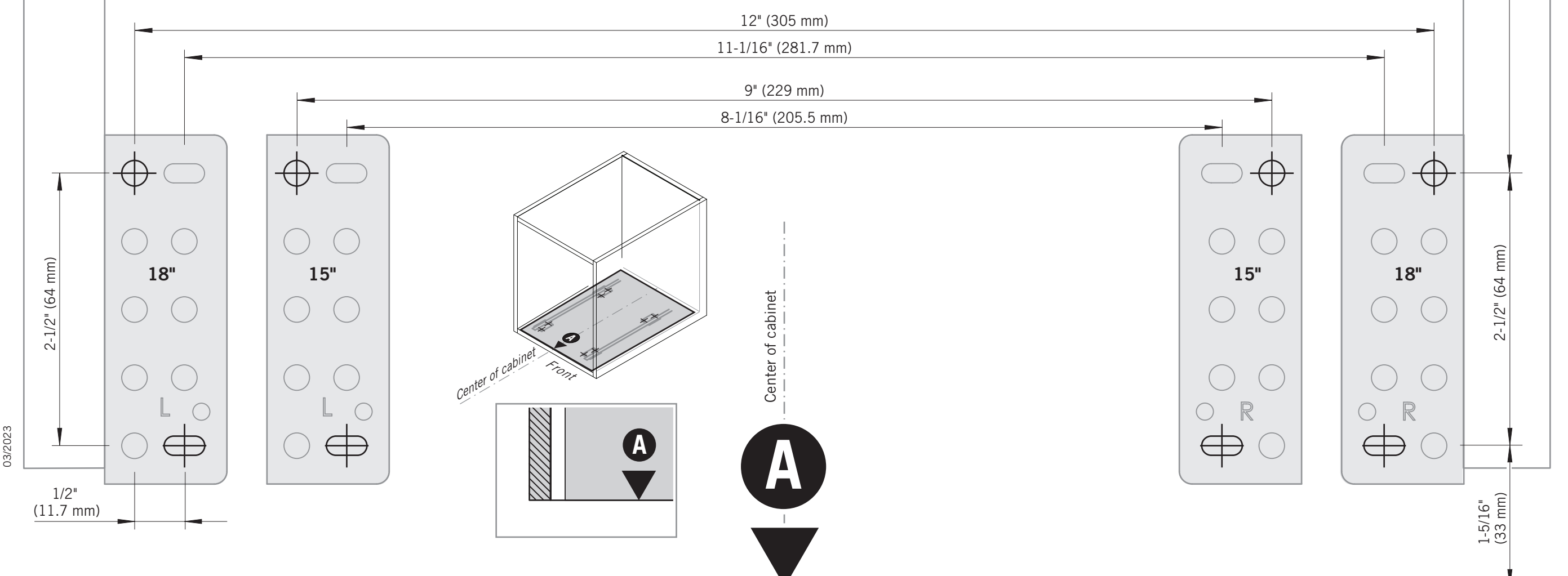
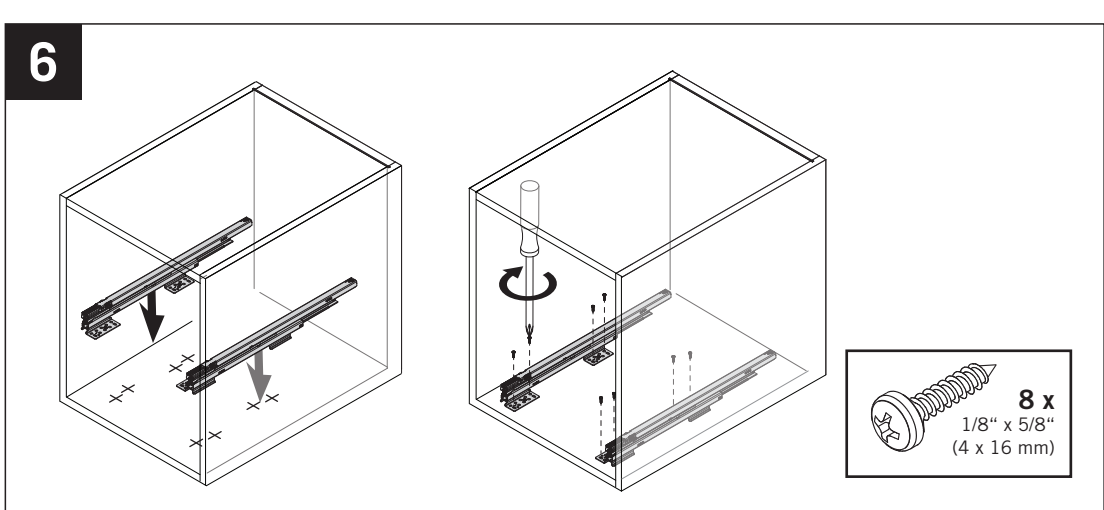
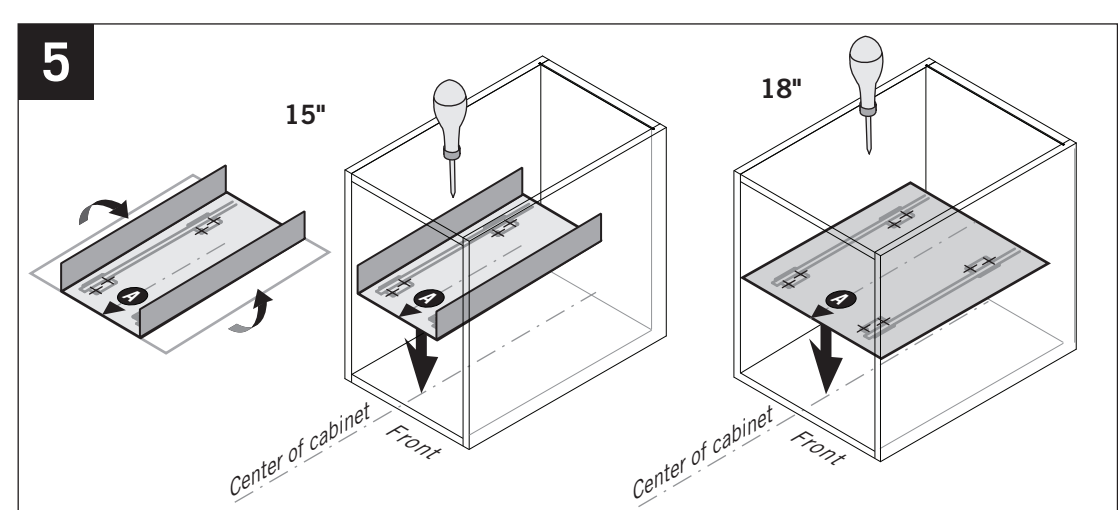
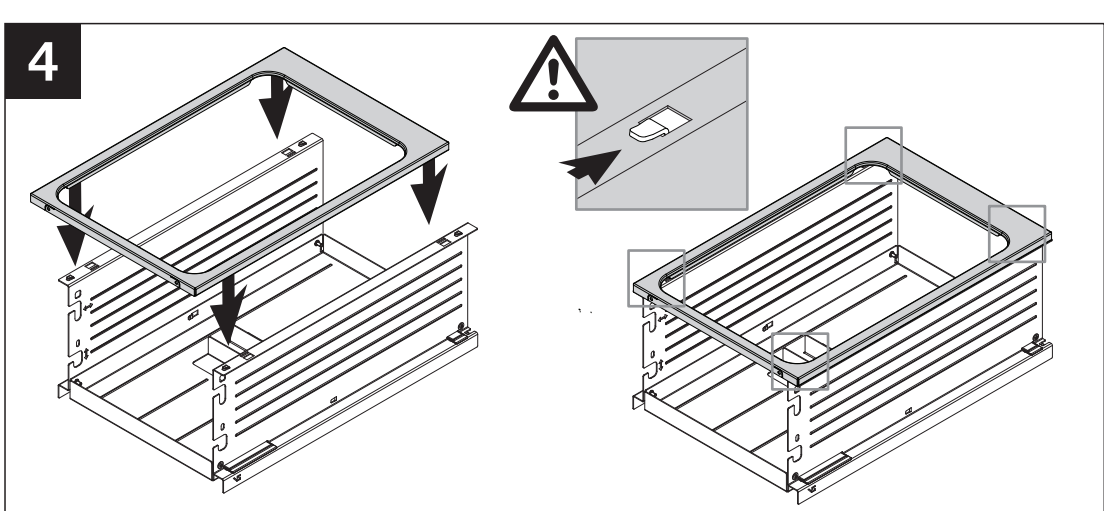
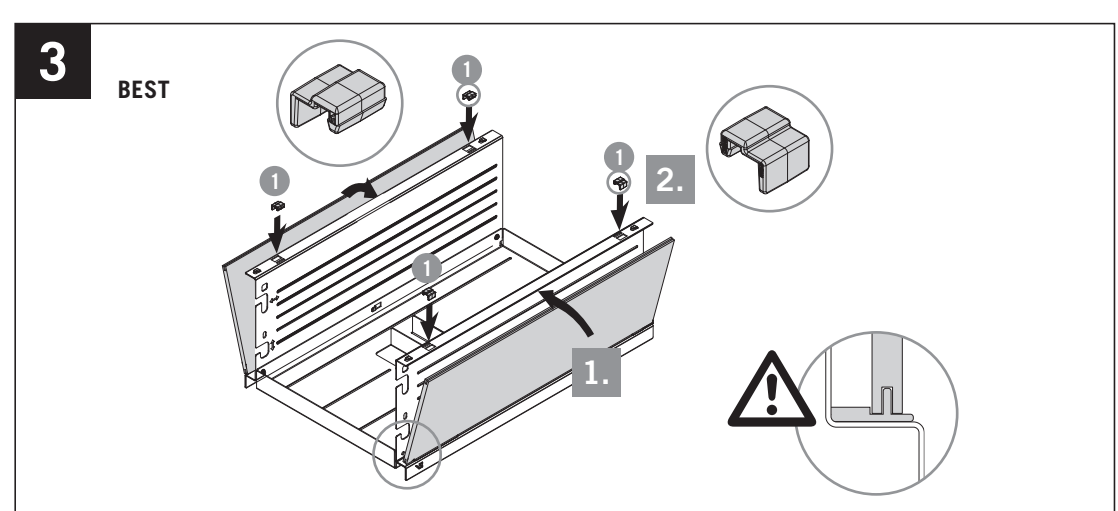
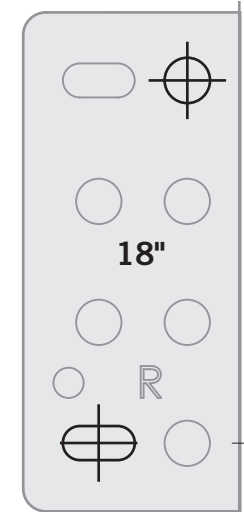
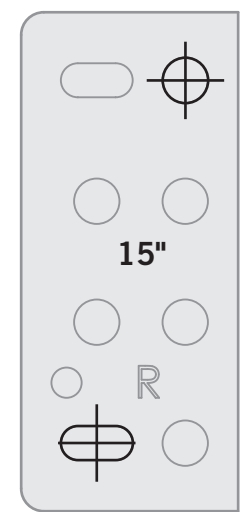
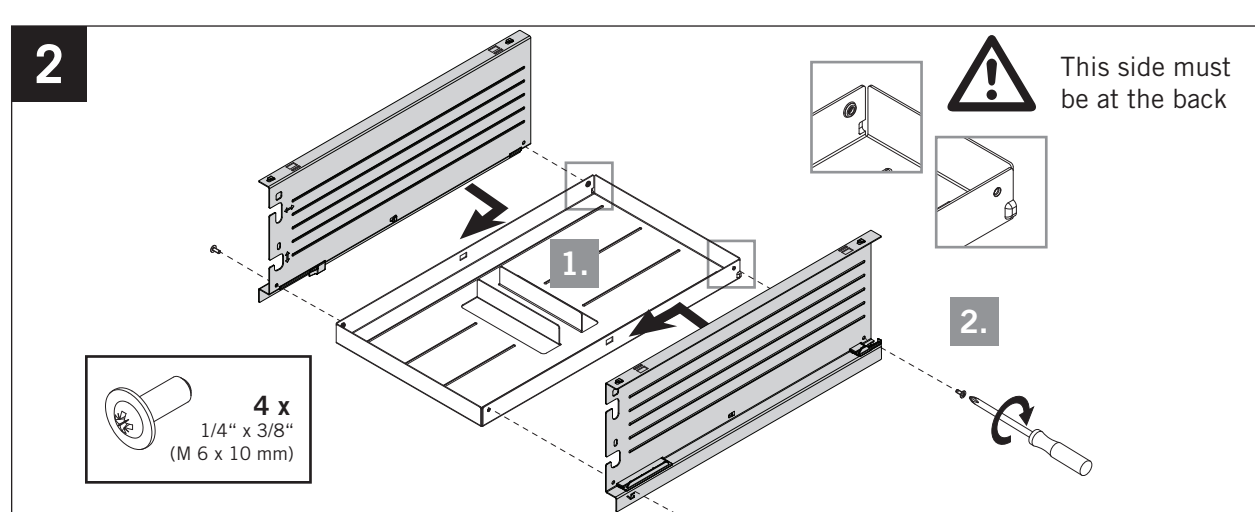
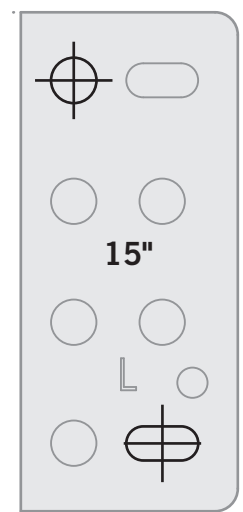
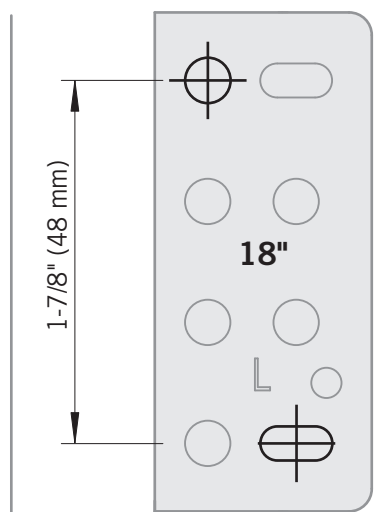
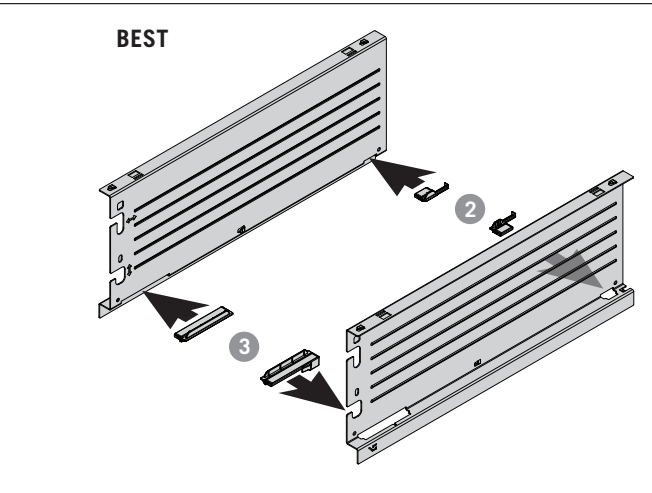
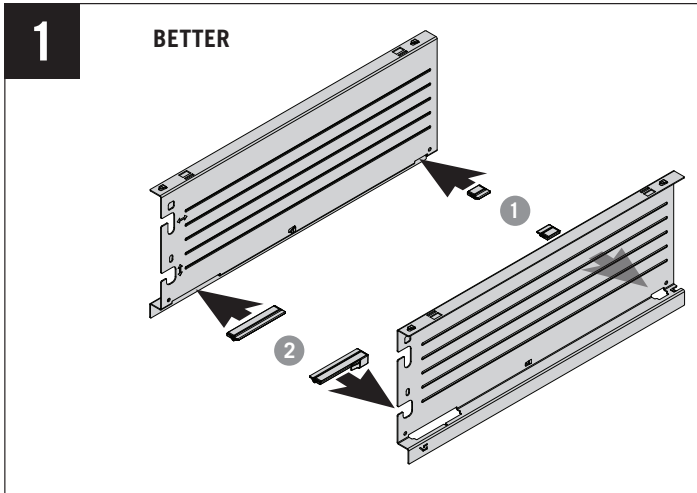
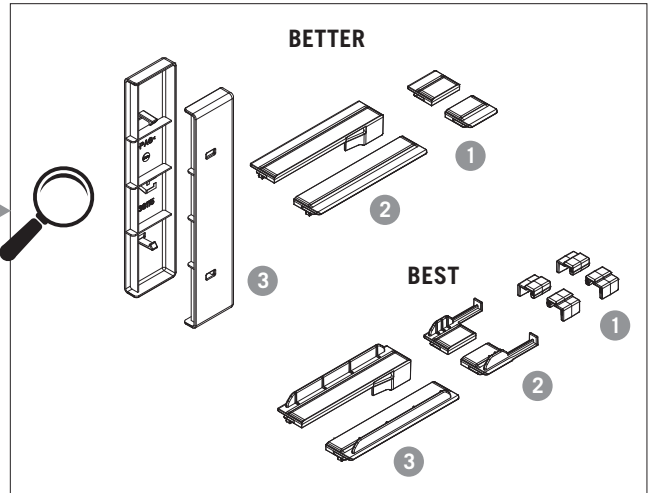
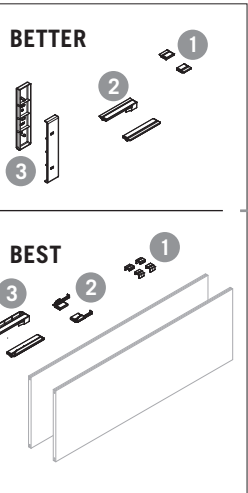
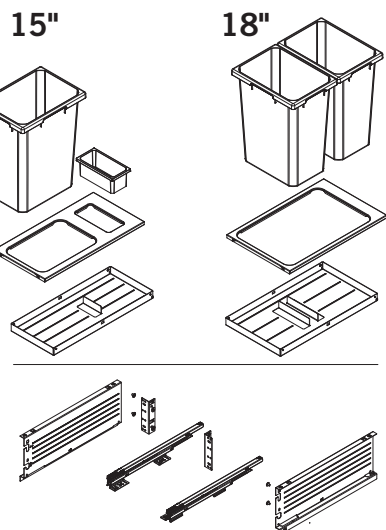
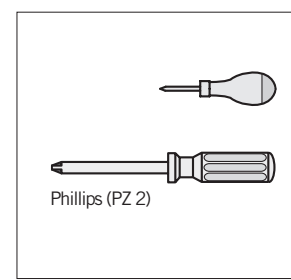
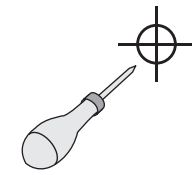
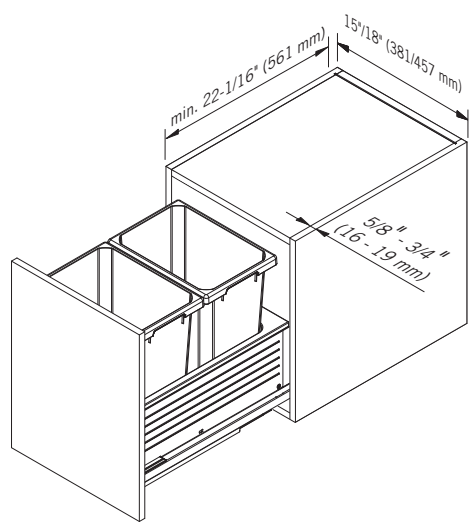
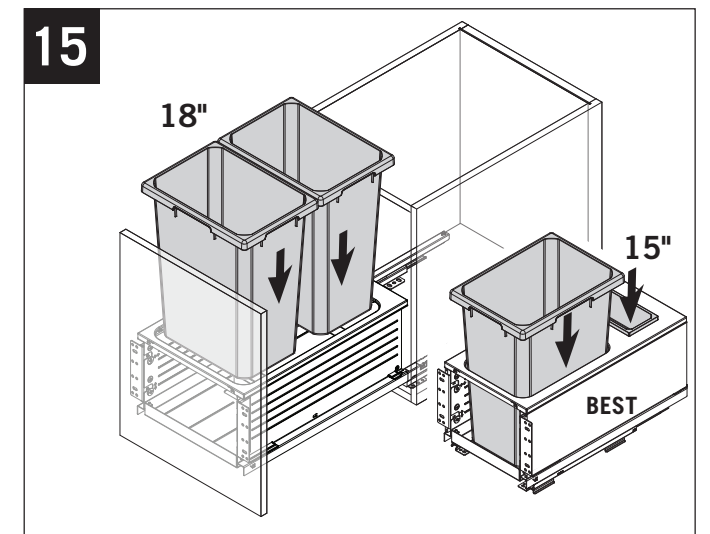
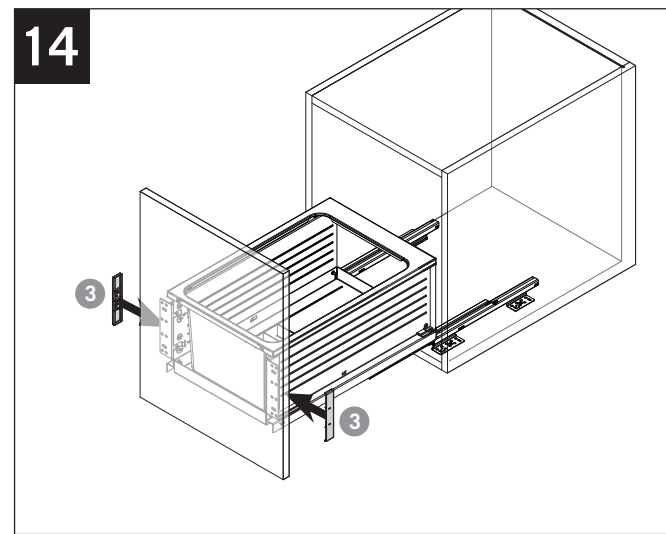
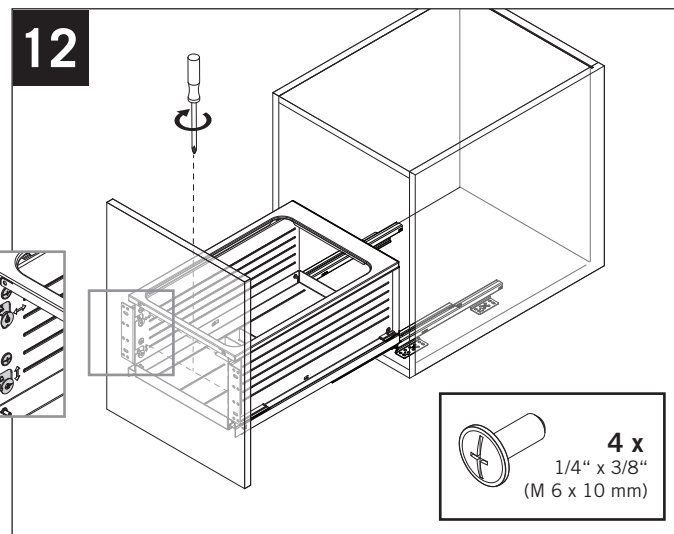
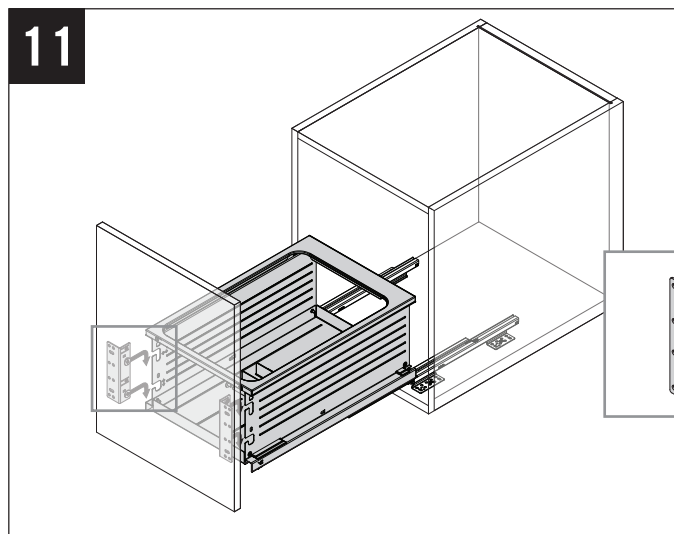
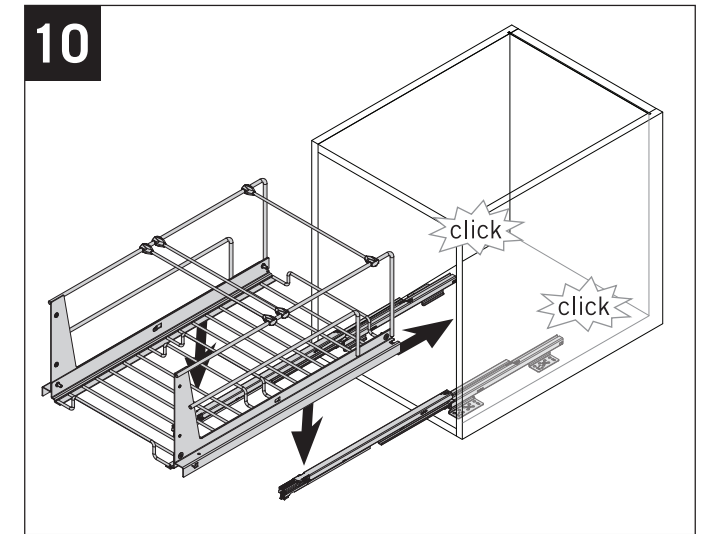
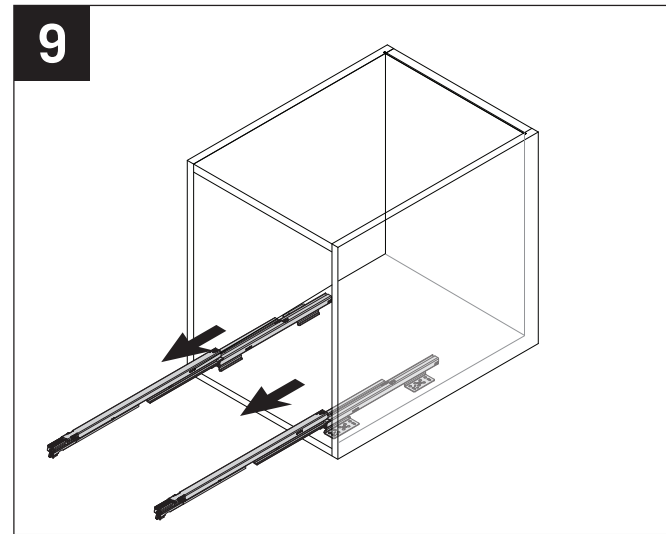
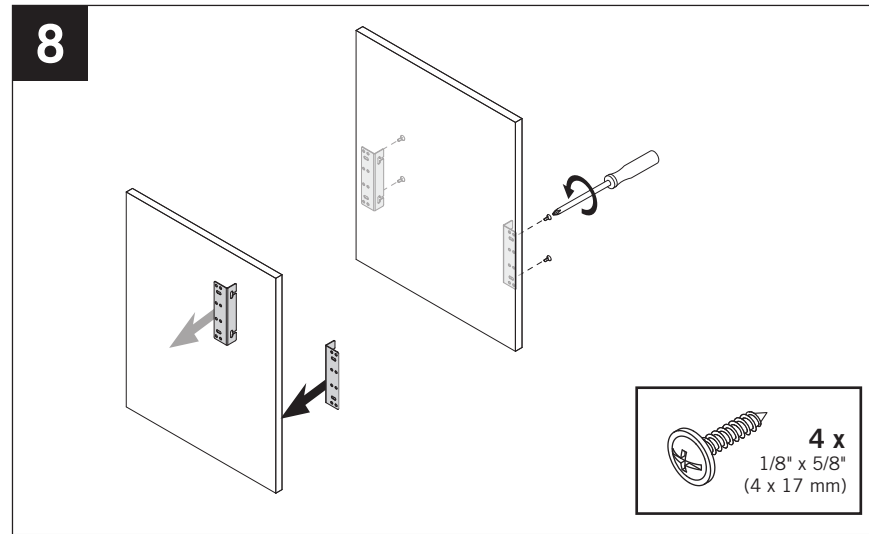
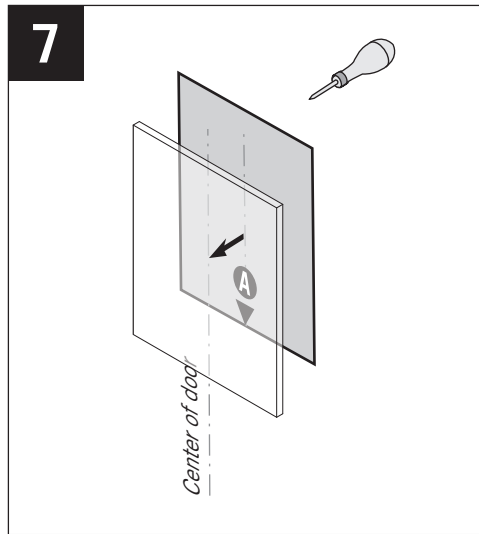
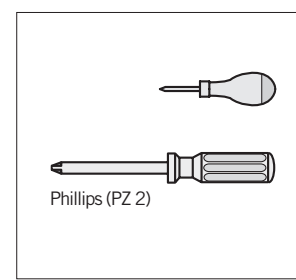
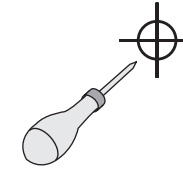
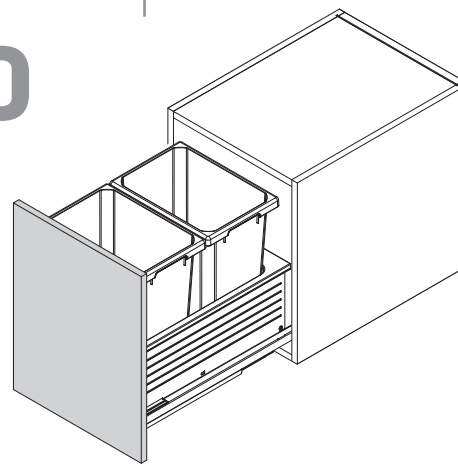


# VS ENVI® BMT Planero

For Frameless Cabinets

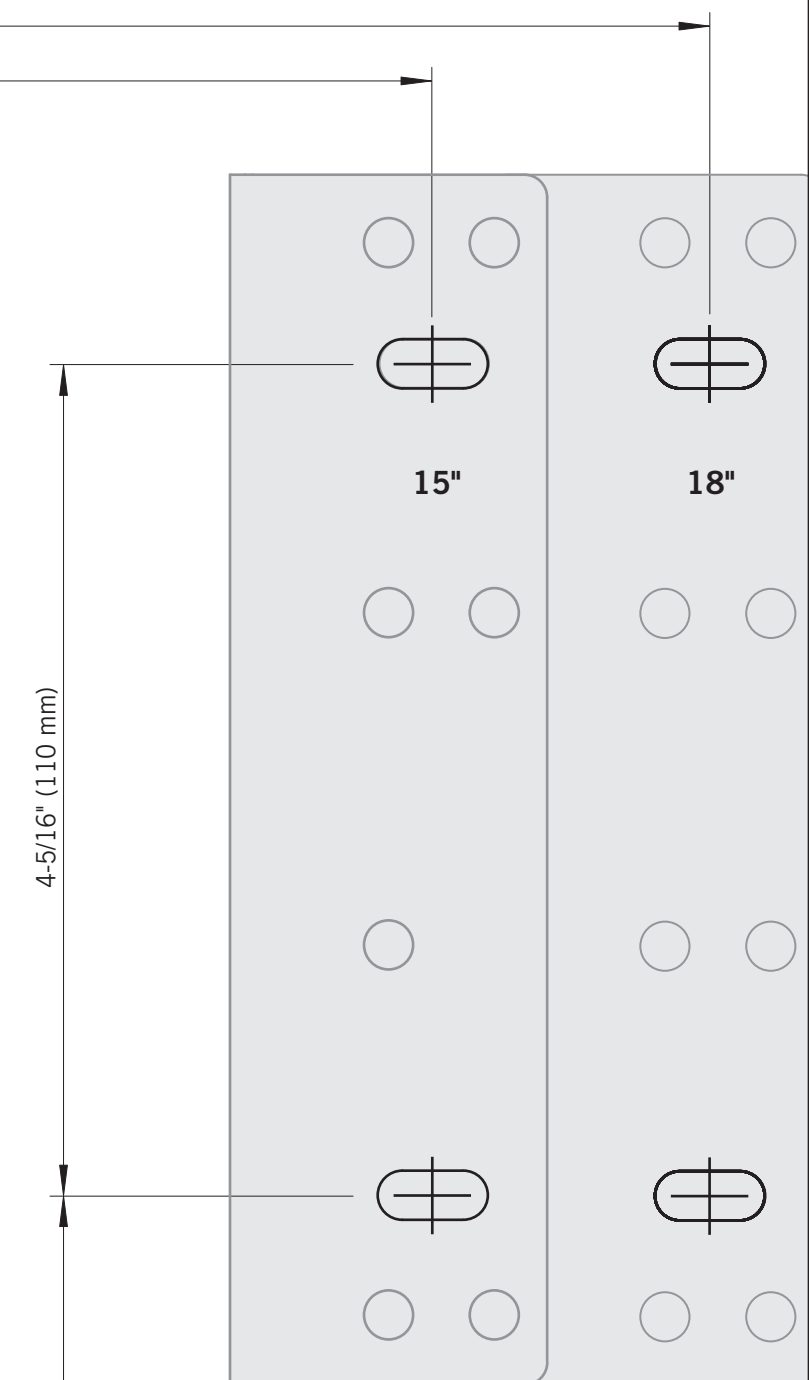
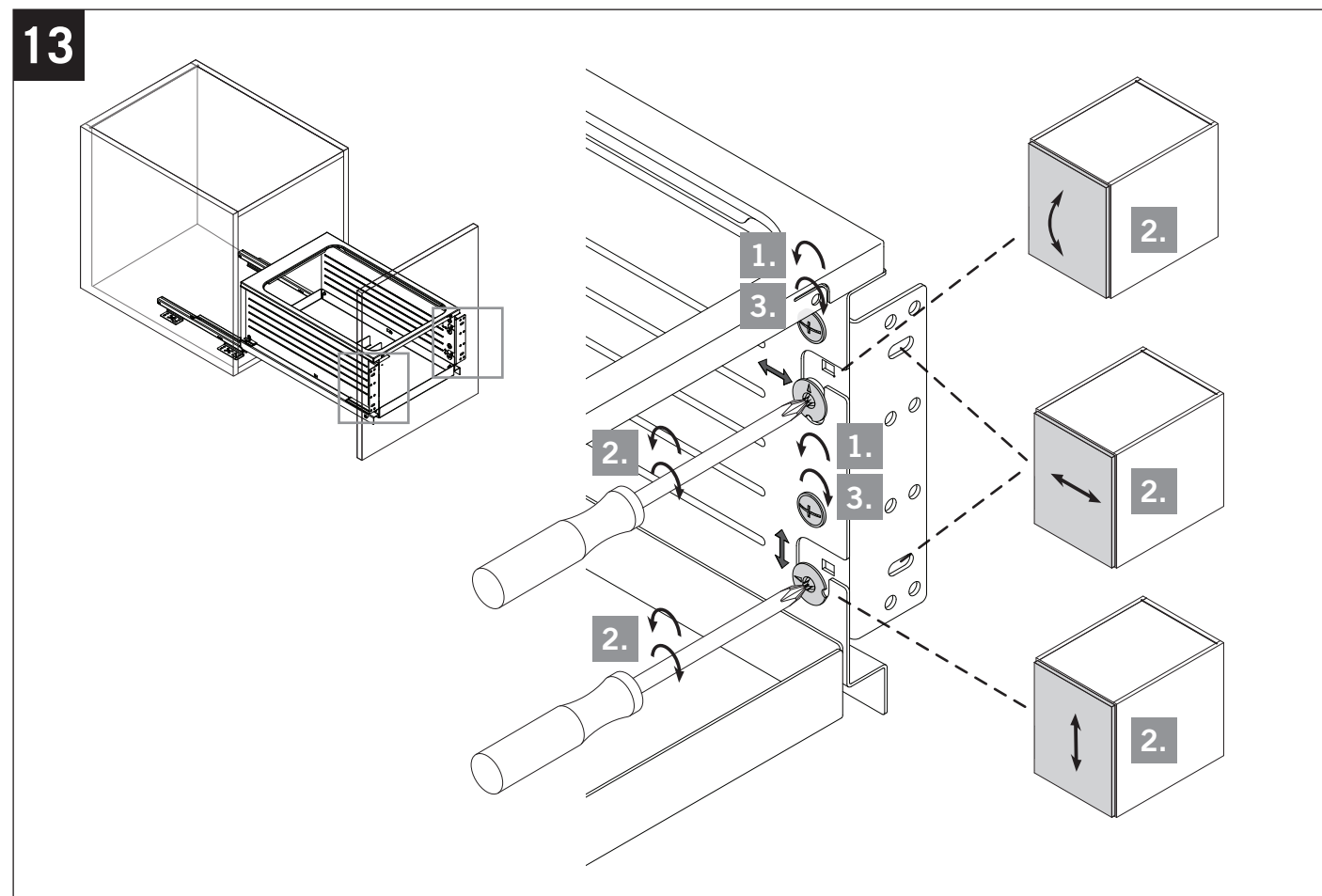
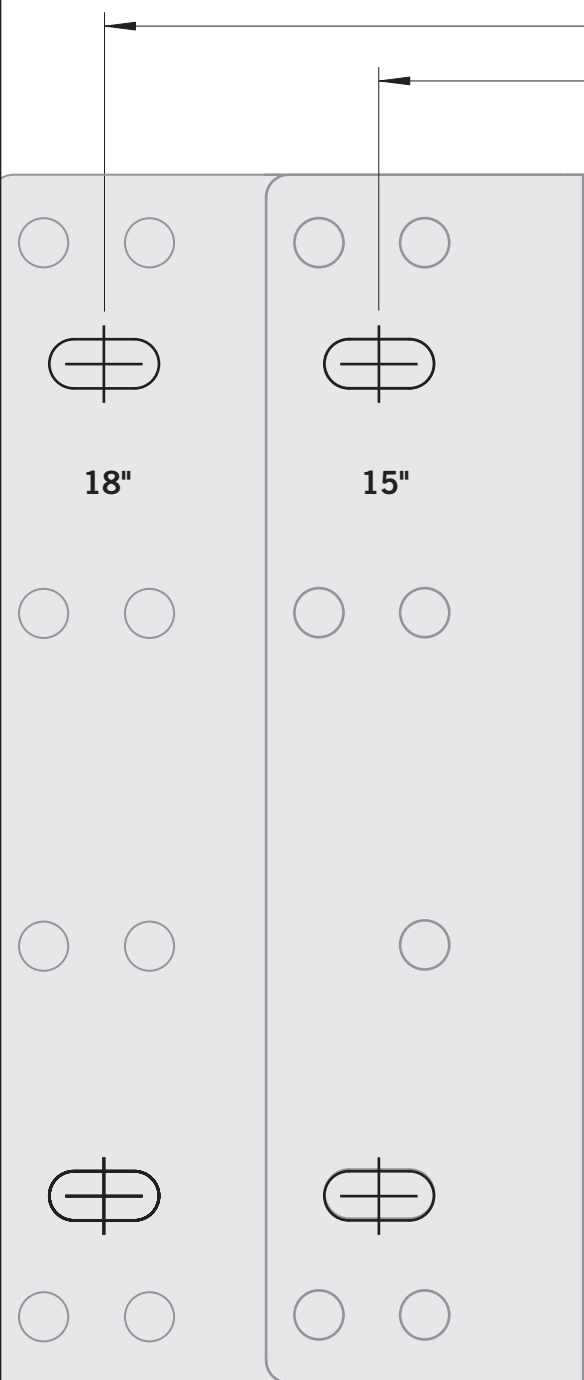


# VS ENVI<sup>®</sup> BMT Planero



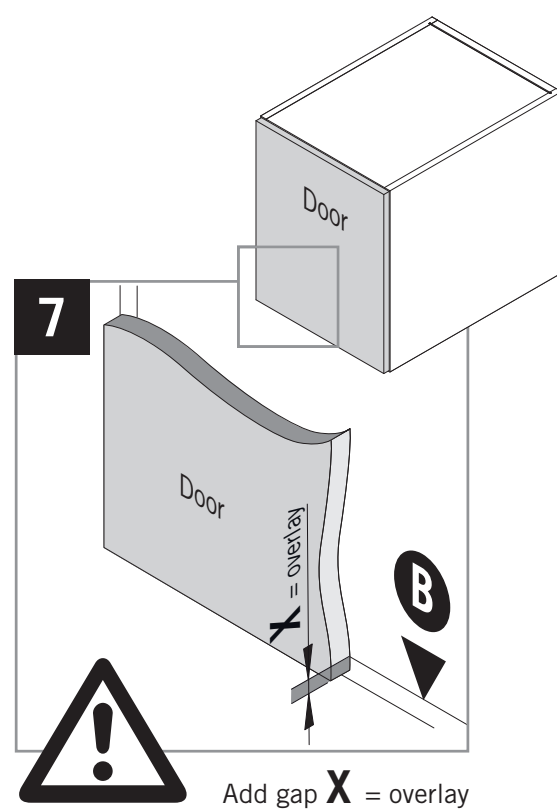
18" 14-11/16" (373 mm)

15" 11-13/16" (300 mm)



4-5/16" (110 mm)

4-1/16" (103 mm)

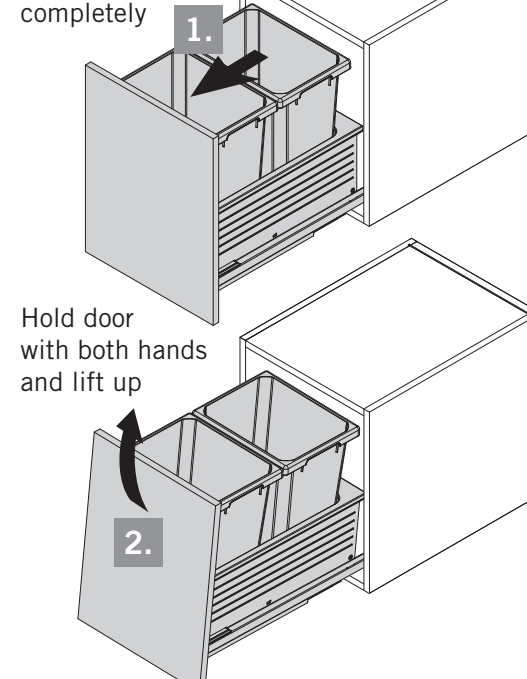


Center of door

**B**

How to dismantle:

Pull out completely



Hold door with both hands and lift up