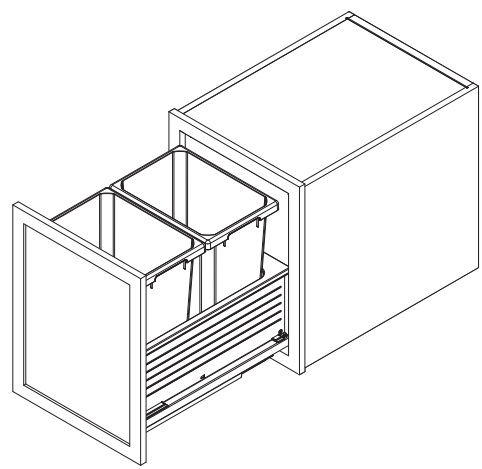
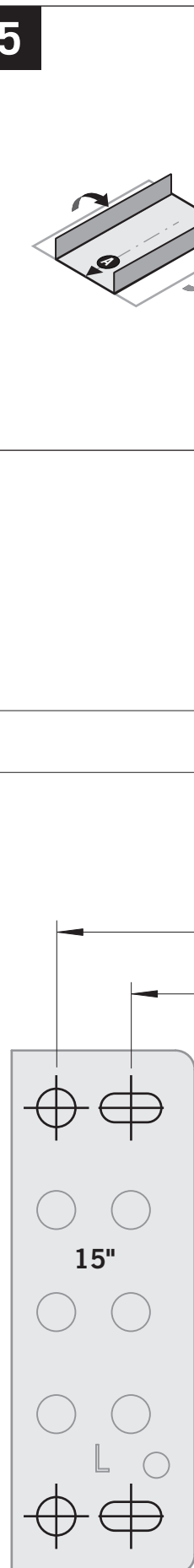
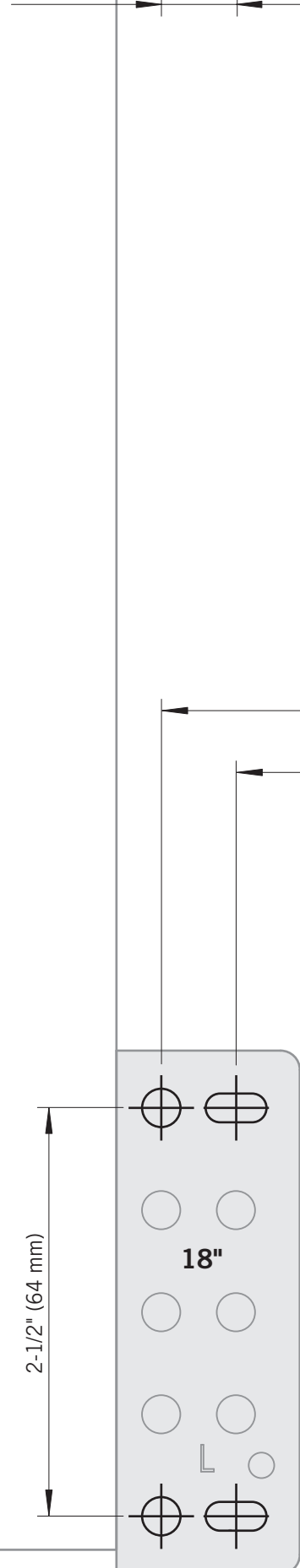
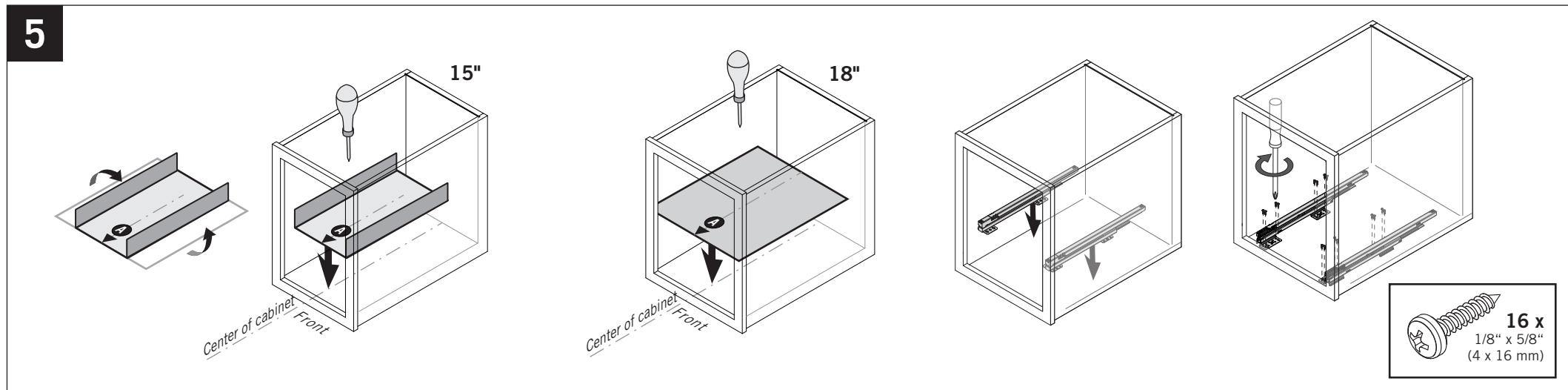
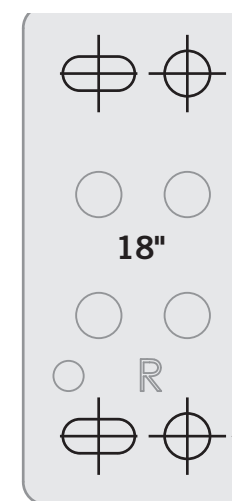
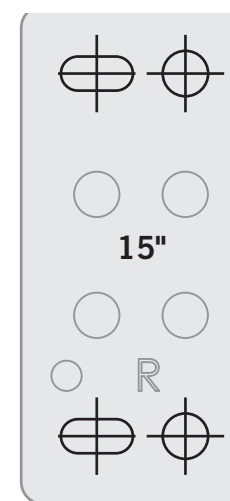
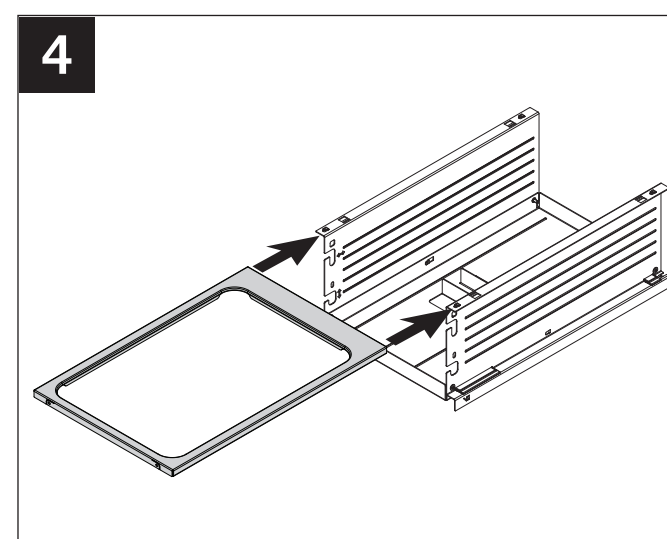
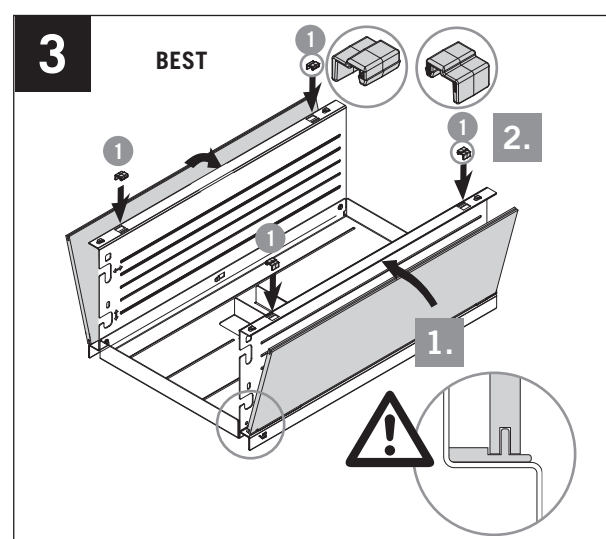
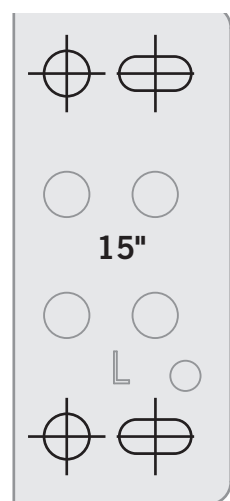
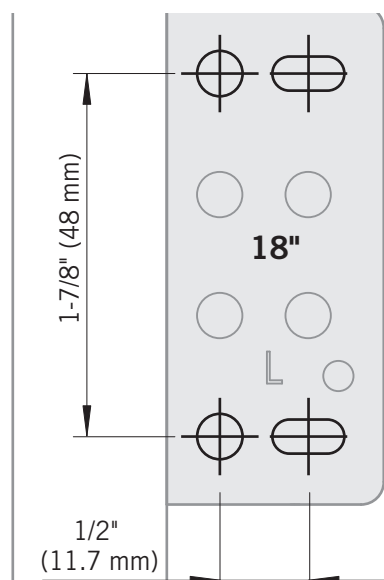
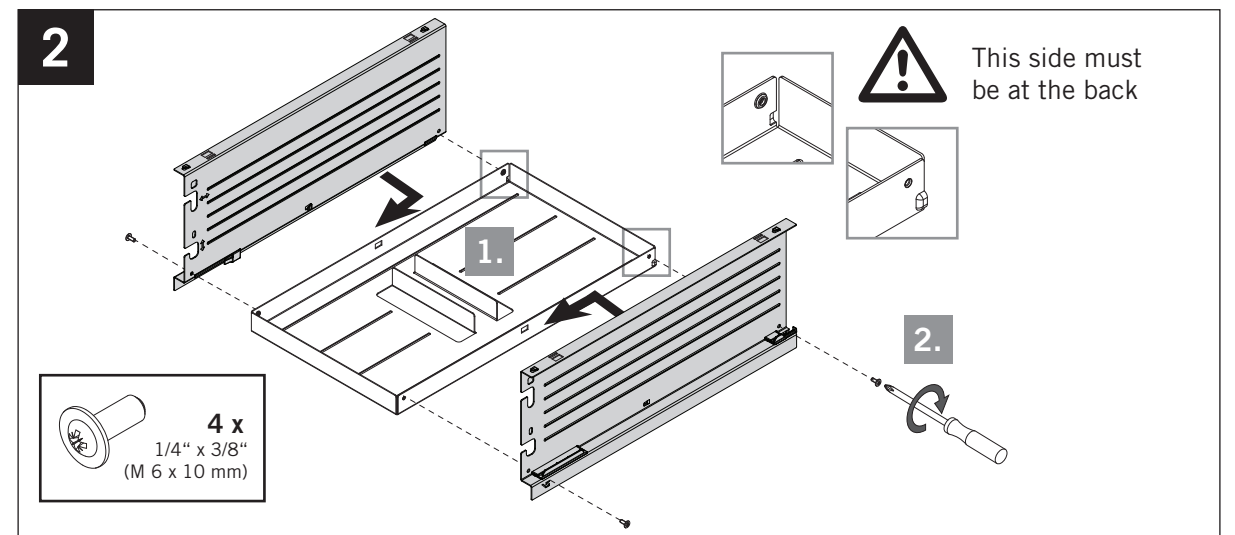
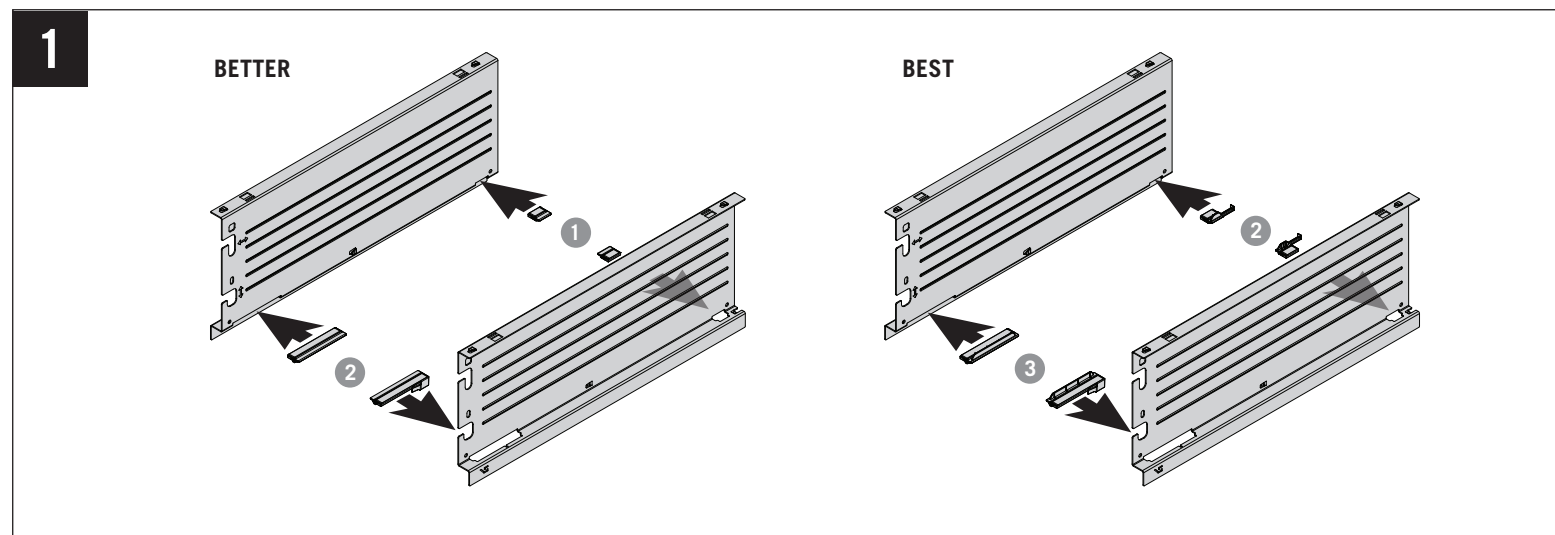
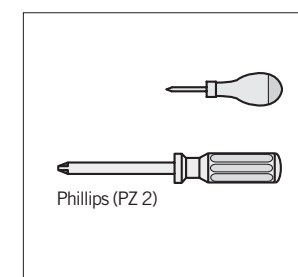
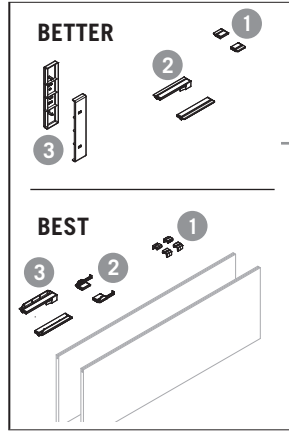
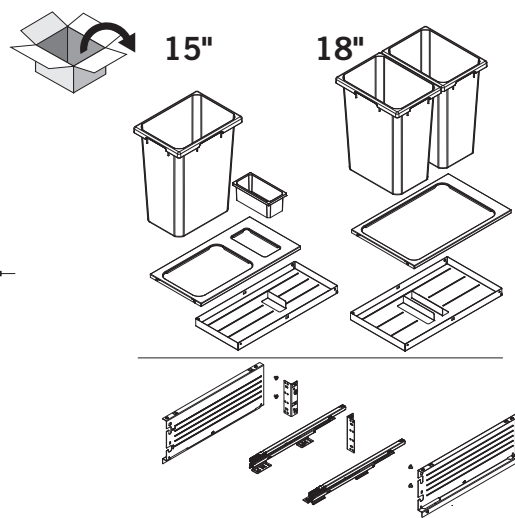


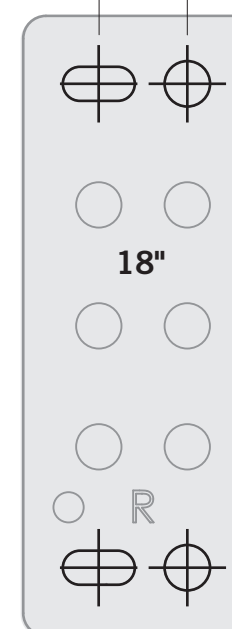
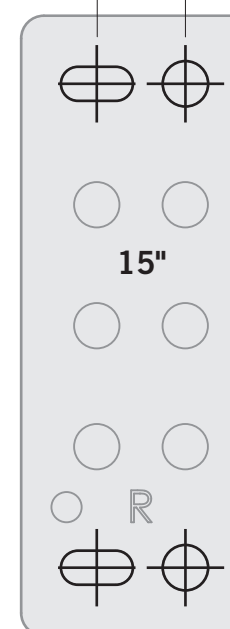
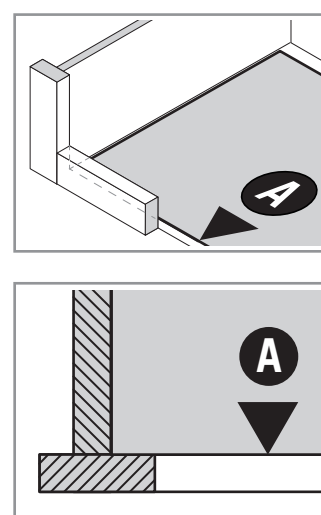
VS ENVI[®] BMT Planero



Cabinet dimensions
15" x 18" (381/457 mm)
5/8" - 3/4"
(16 - 19 mm)
Cabinet opening
12" x 15" (305/381 mm)
min. 22-1/16" (561 mm)



12" (305 mm)
11-1/16" (281.7 mm)
9" (229 mm)
8-1/16" (205.5 mm)



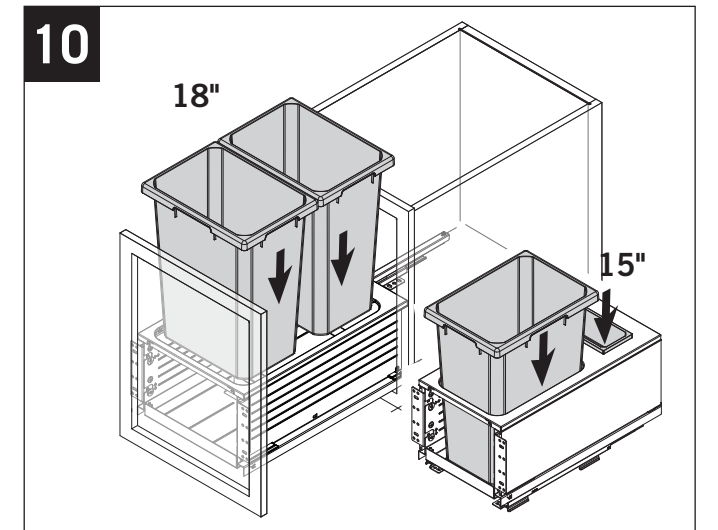
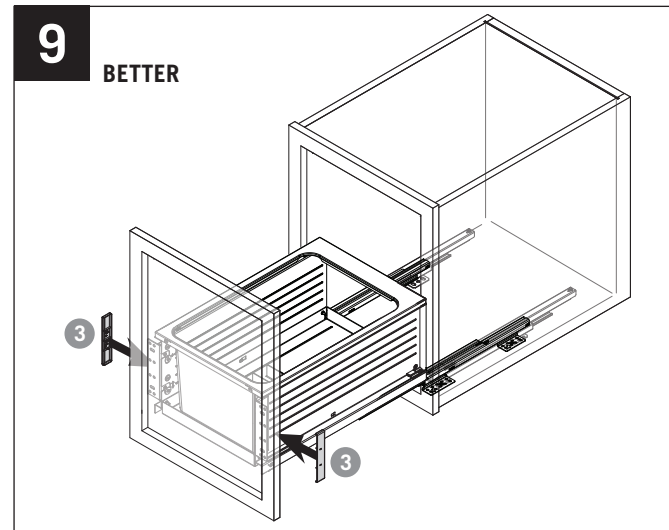
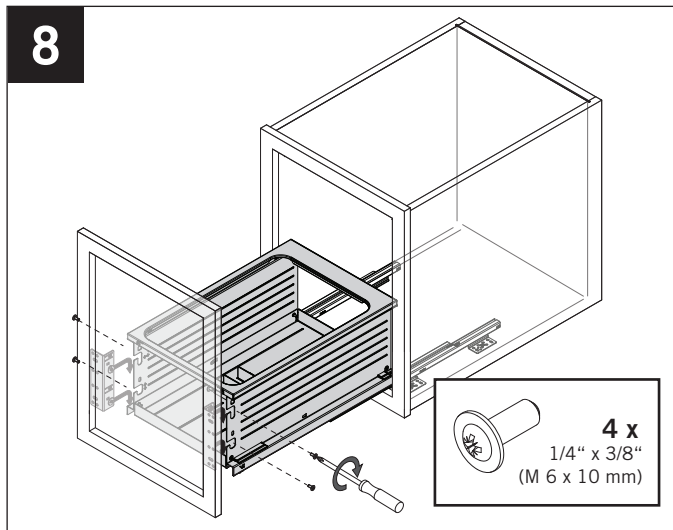
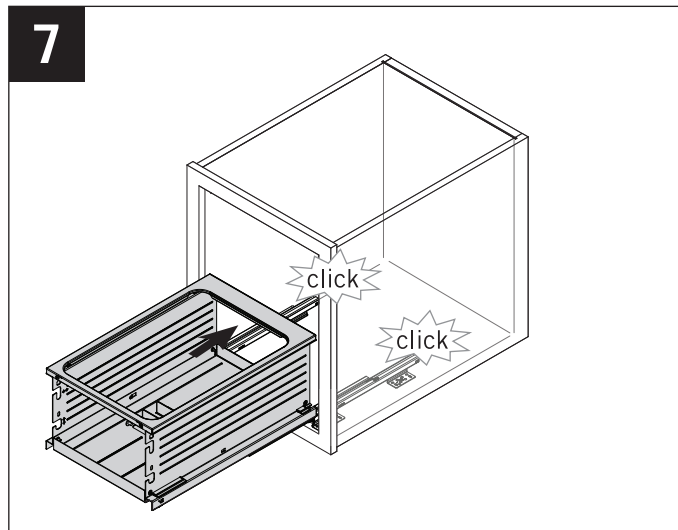
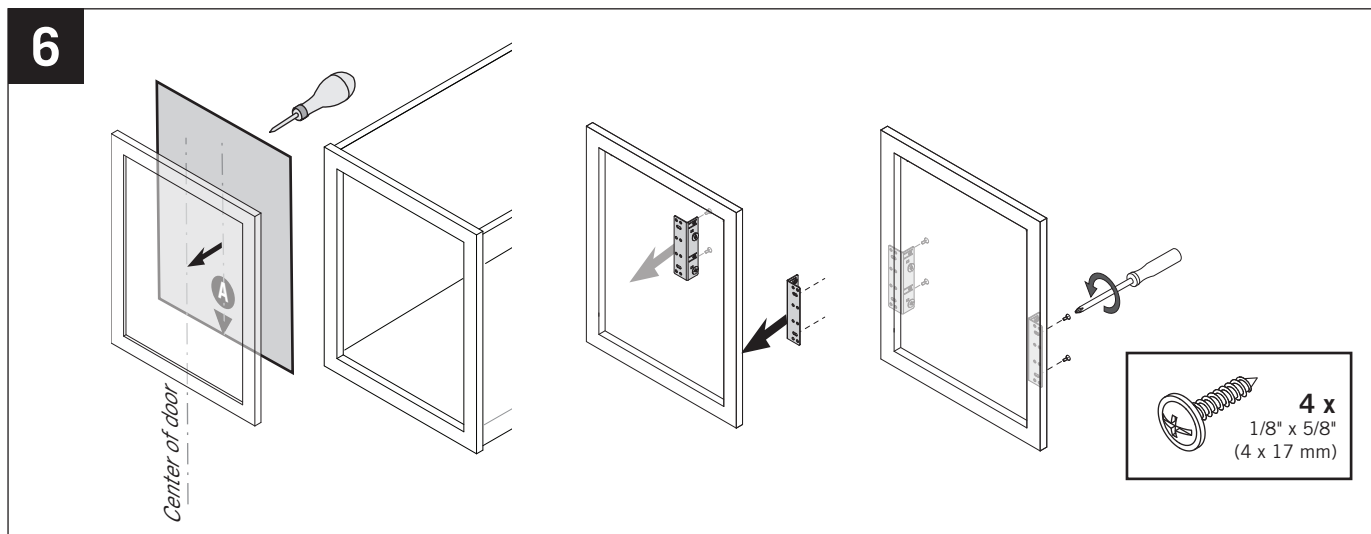
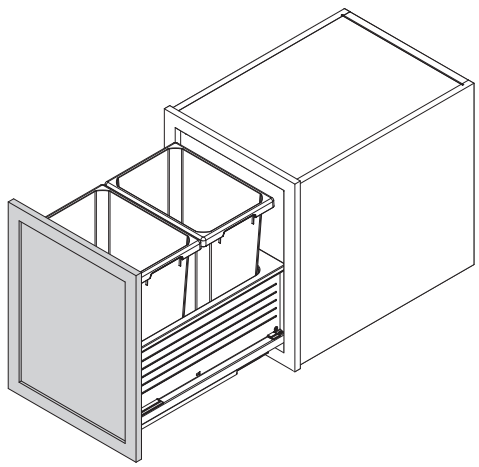
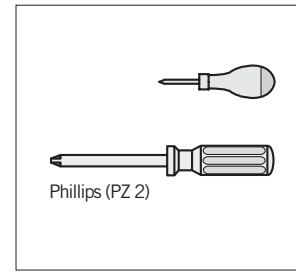
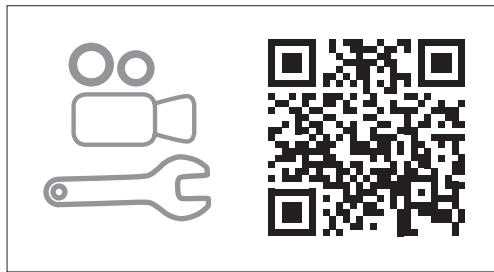
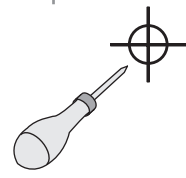
7-1/2" (192 mm)

2-1/2" (64 mm)

7/16" (11 mm)

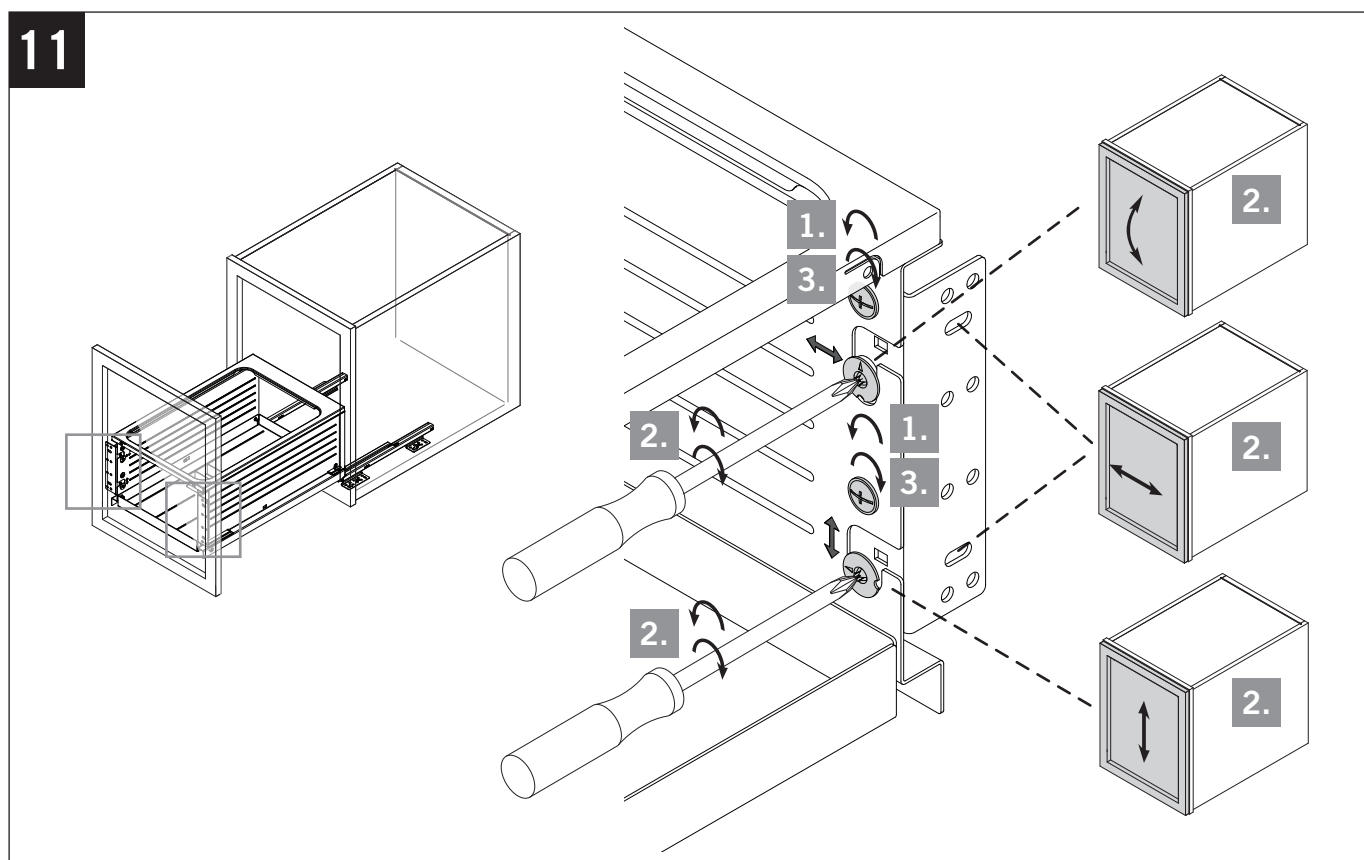
* this dimension refers to a faceframe thickness of 3/4" (19 mm)

VS ENVI[®] BMT Planero



18" 14-11/16" (373 mm)

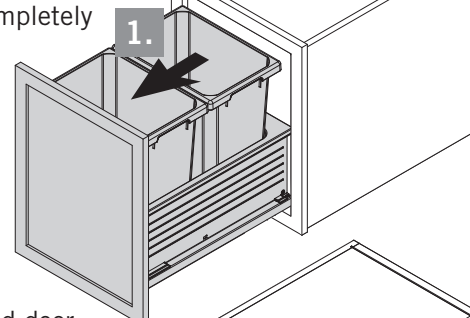
15" 11-13/16" (300 mm)



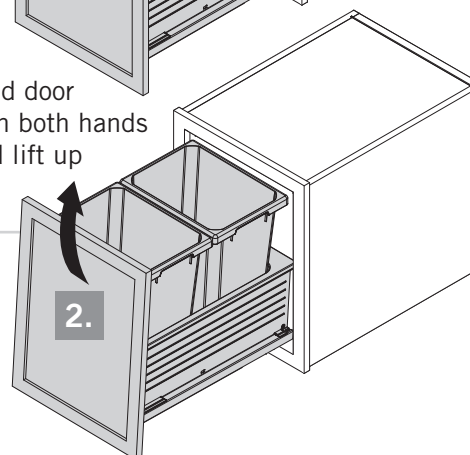
4-5/16" (110 mm)

How to dismantle:

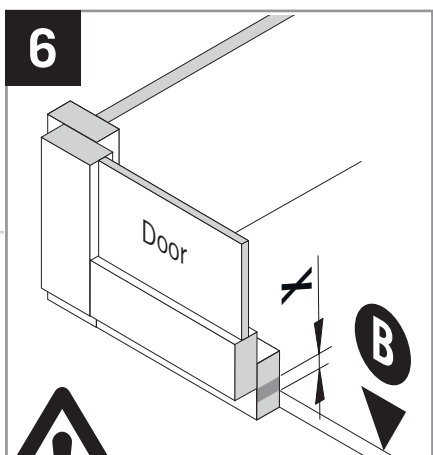
Pull out completely



Hold door with both hands and lift up



4-1/16" (103 mm)



B



Add gap **X** = overlay