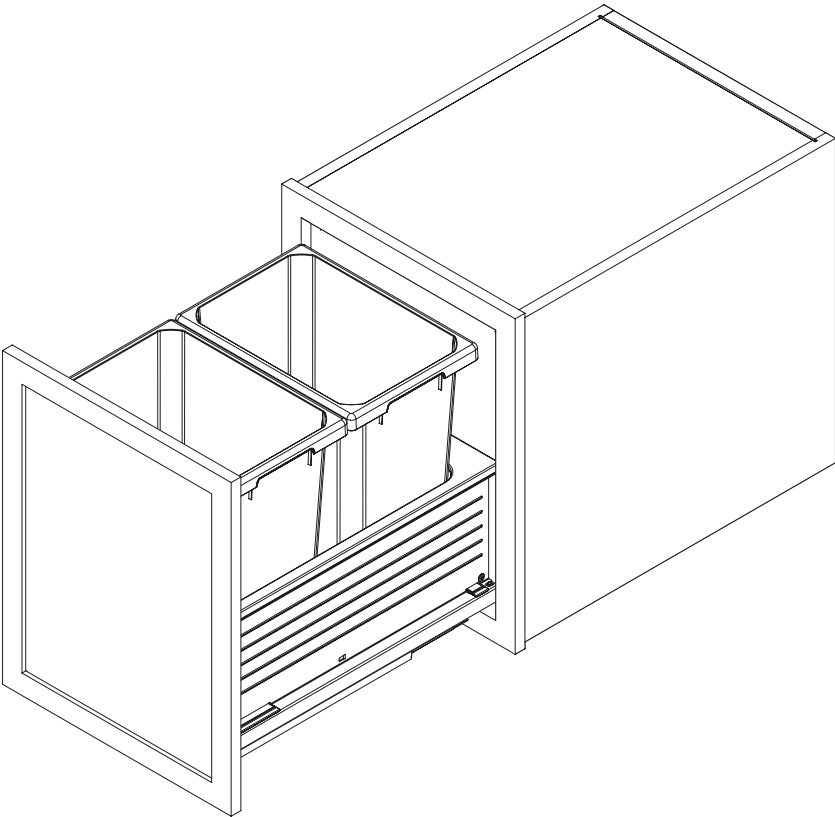
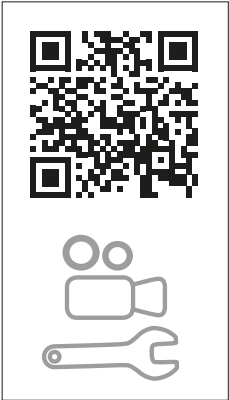
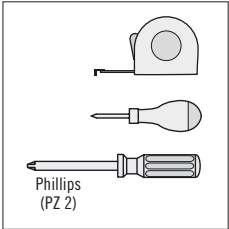


VS ENVI® BTM Planero

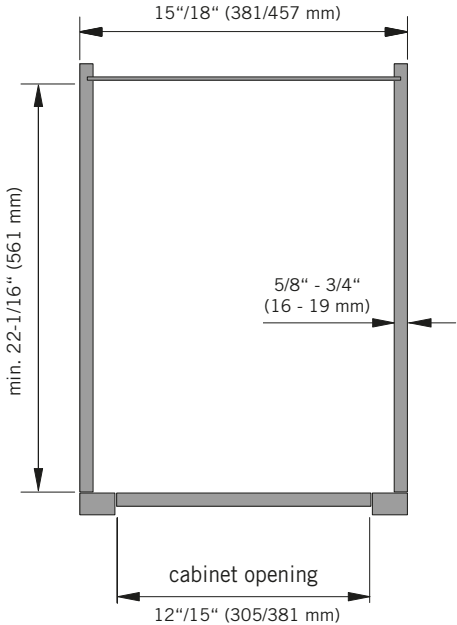


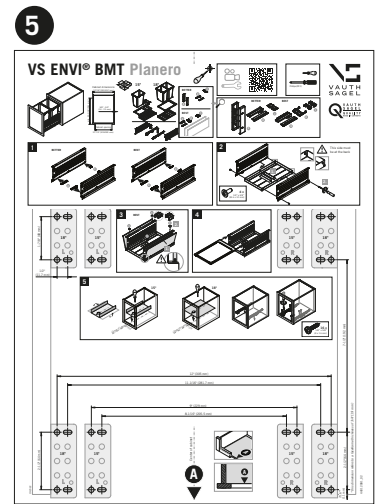
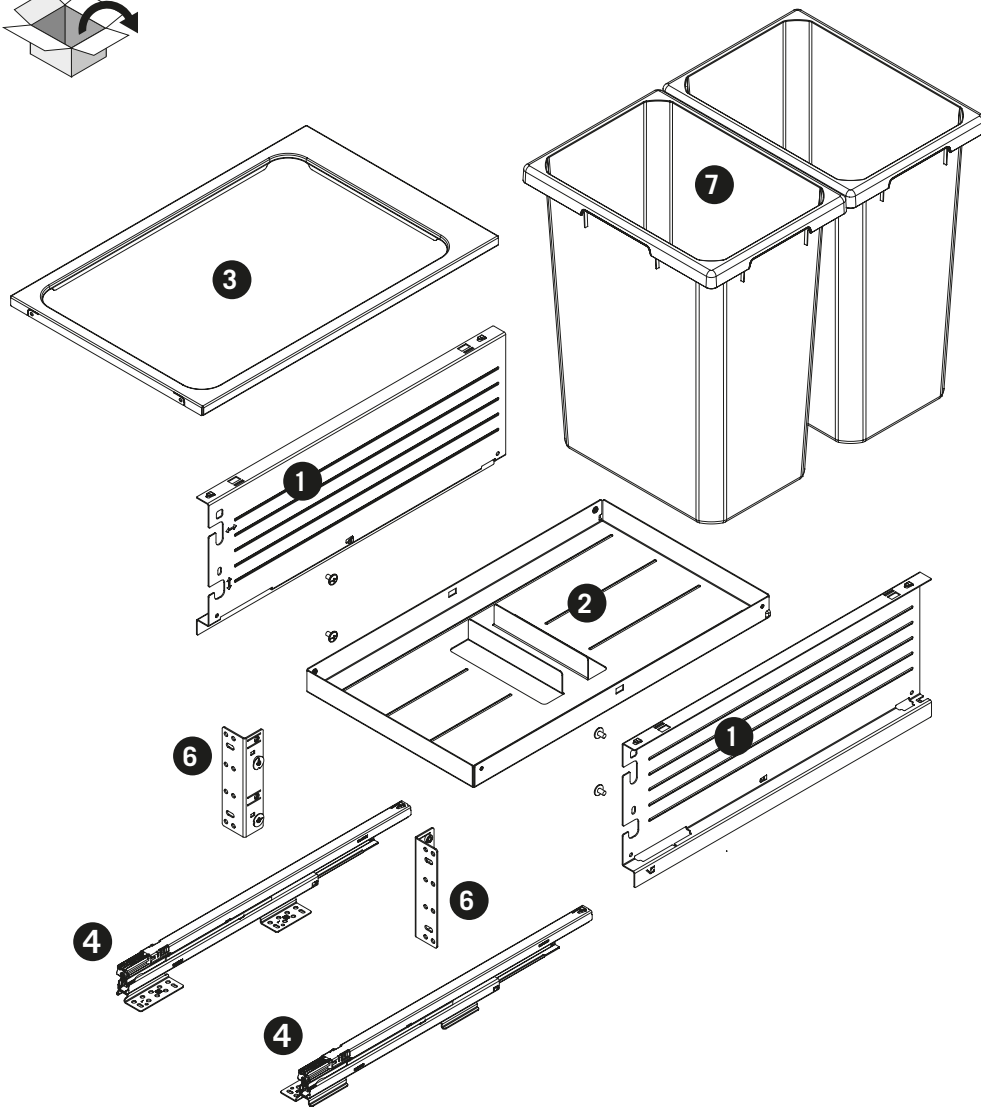
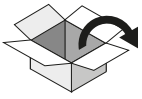
VAUTH
SAGEL

FOR CABINETS WITH FACEFRAME

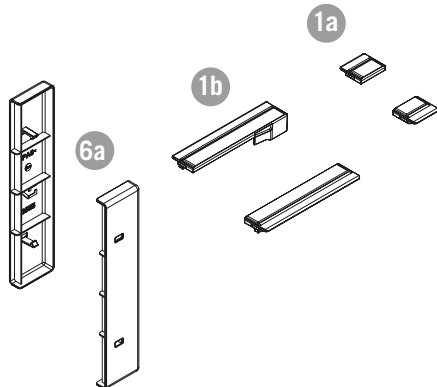


CABINET DIMENSIONS

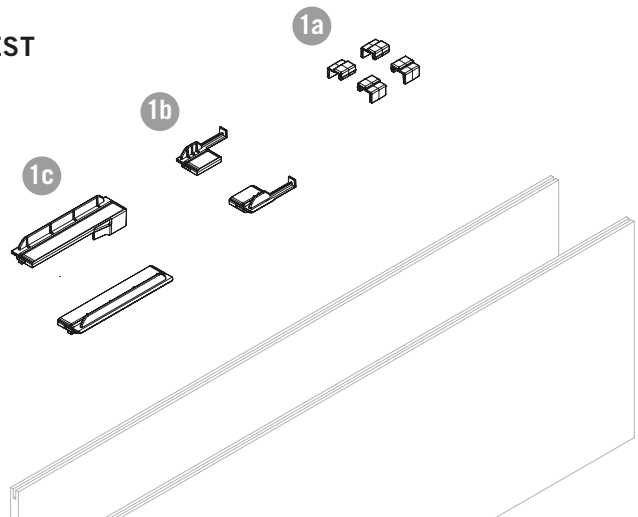




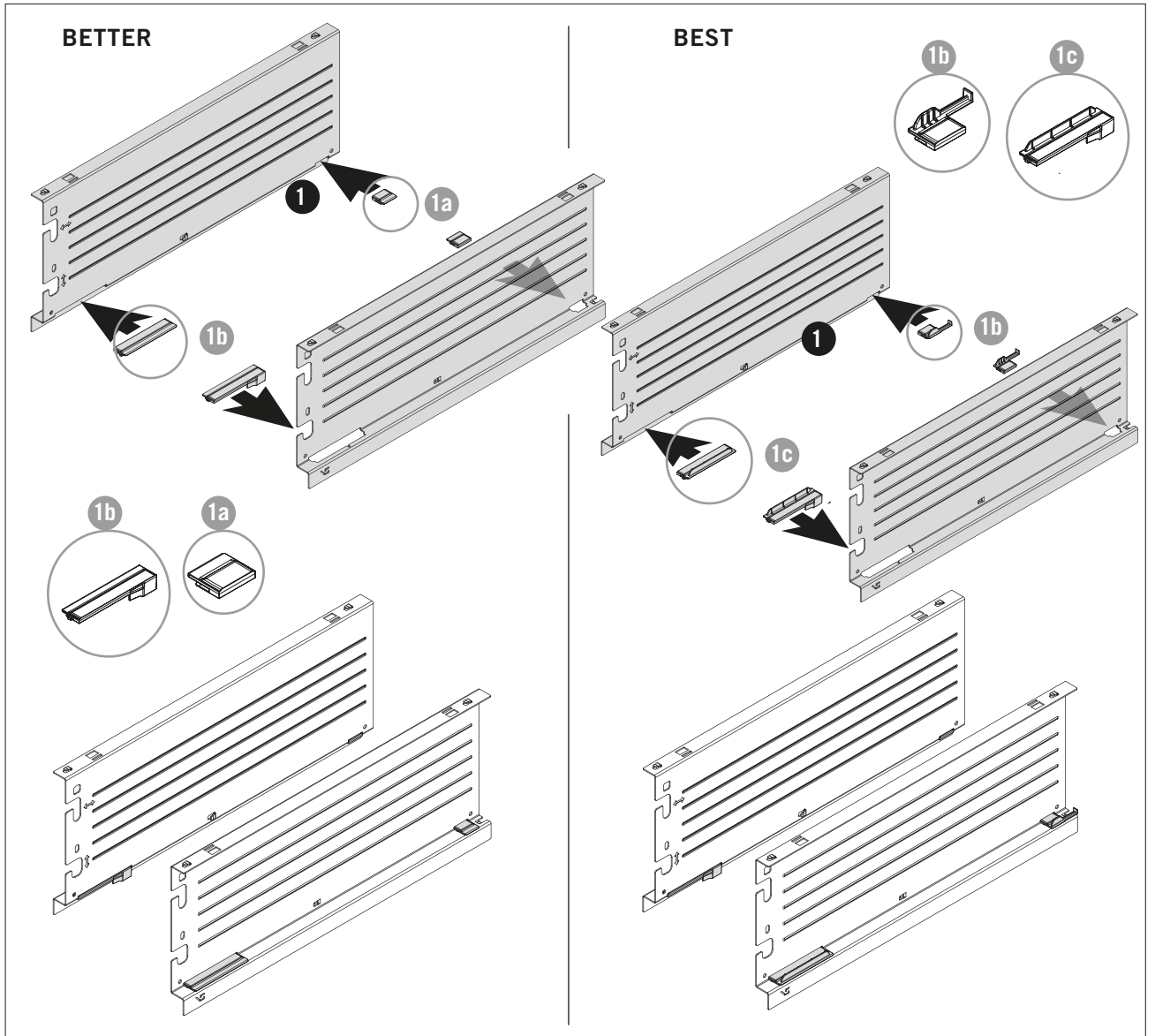
BETTER



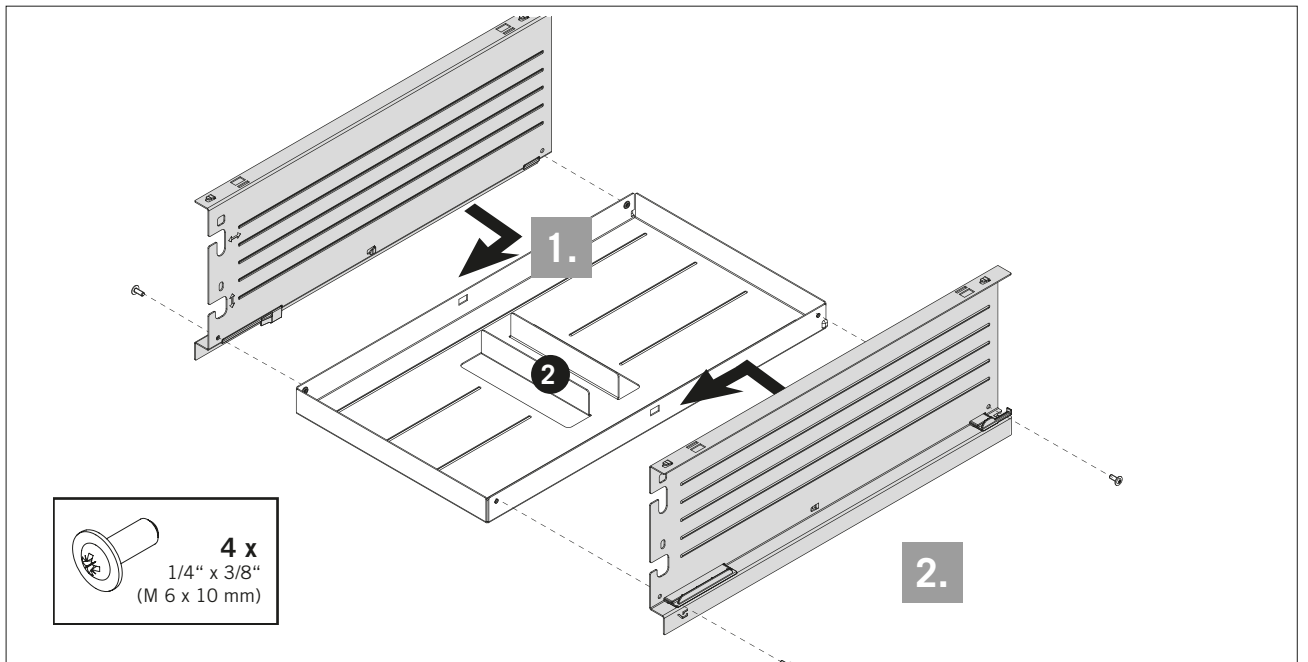
BEST



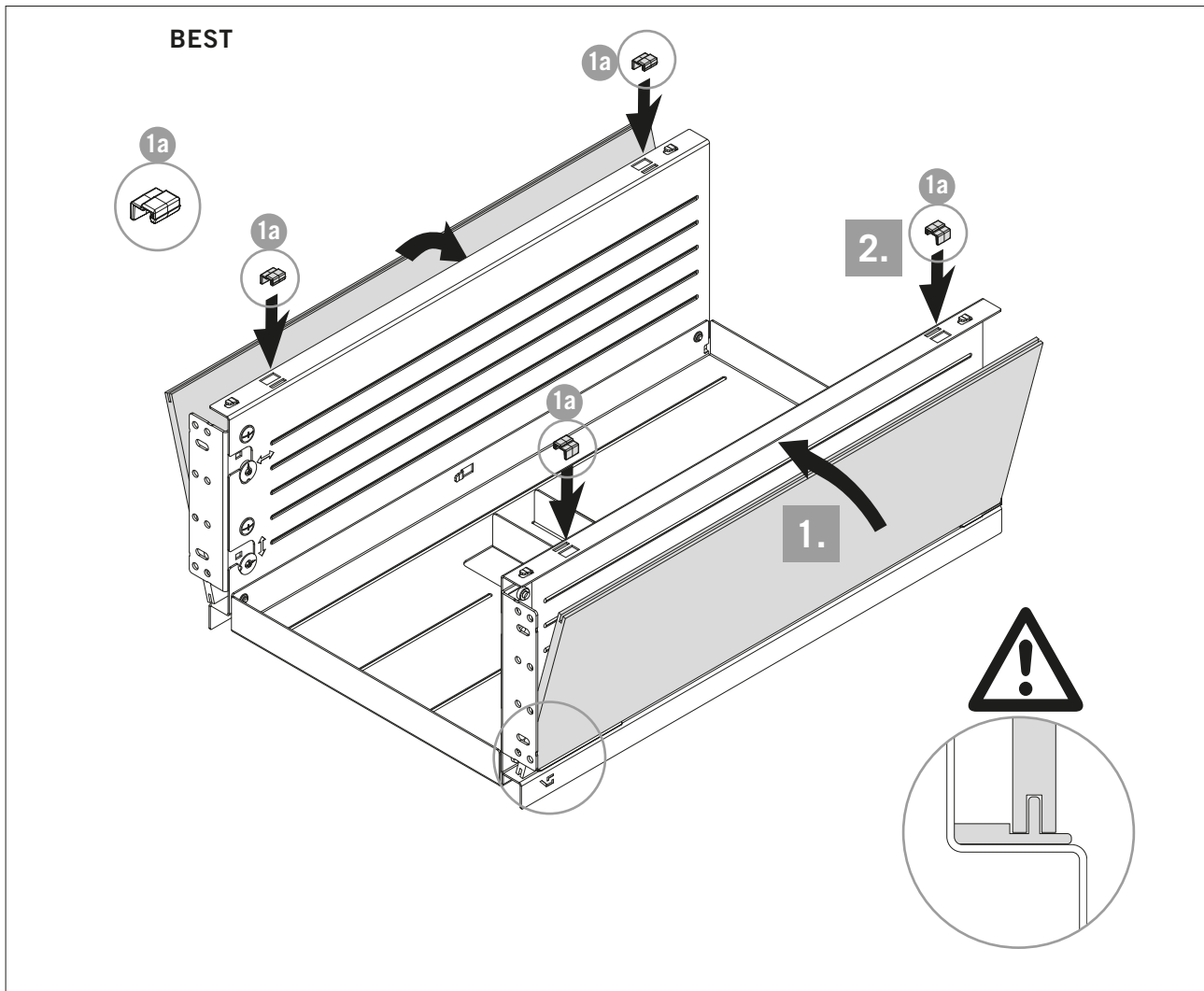
1



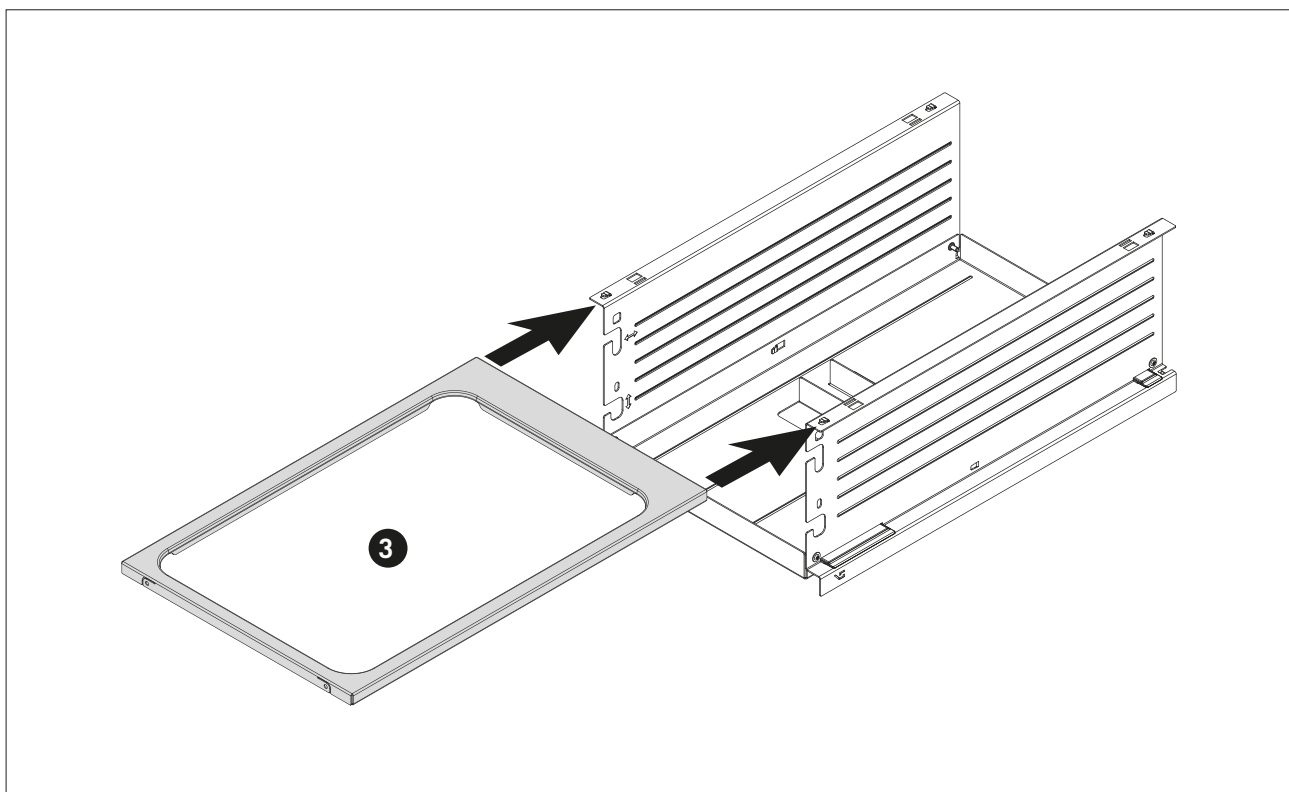
2



3

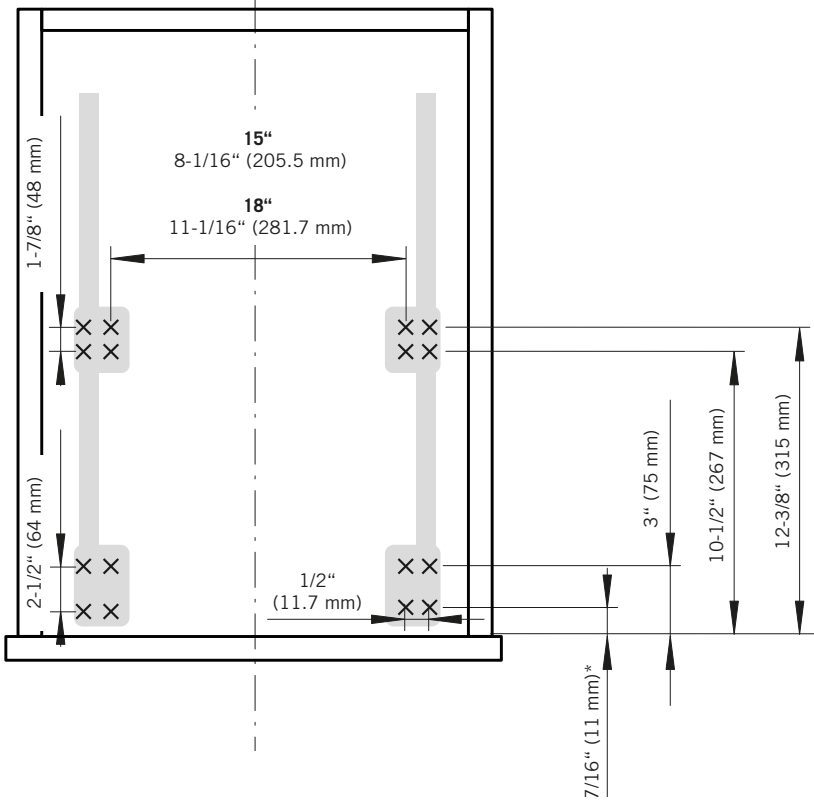
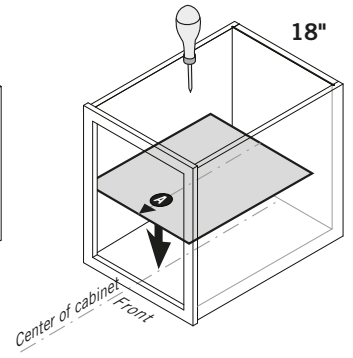
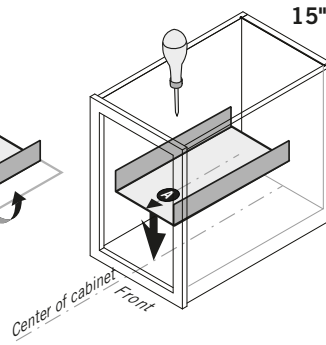
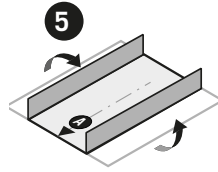
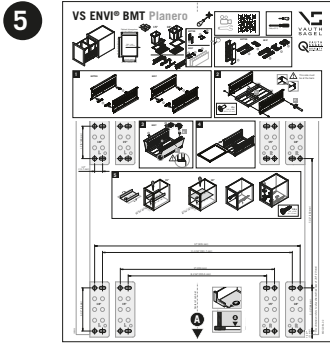
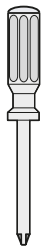
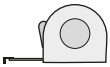


4

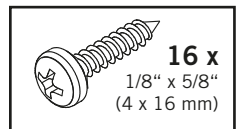
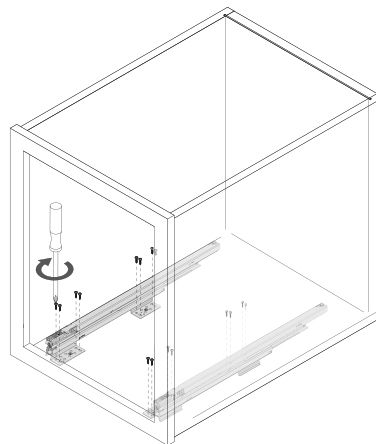
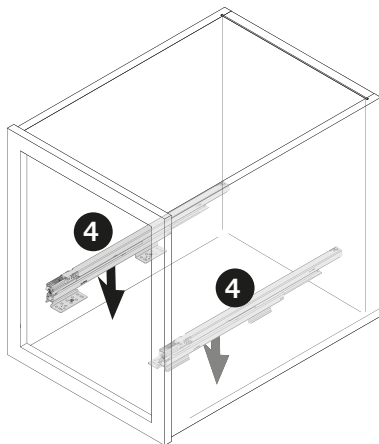


5

A

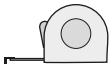


* this dimension refers to a faceframe thickness of 3/4" (19 mm)

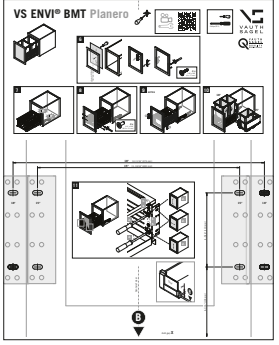


6

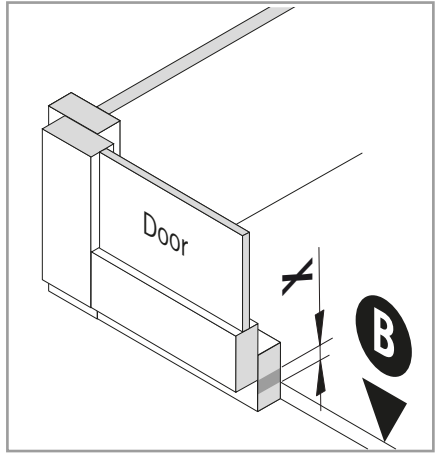
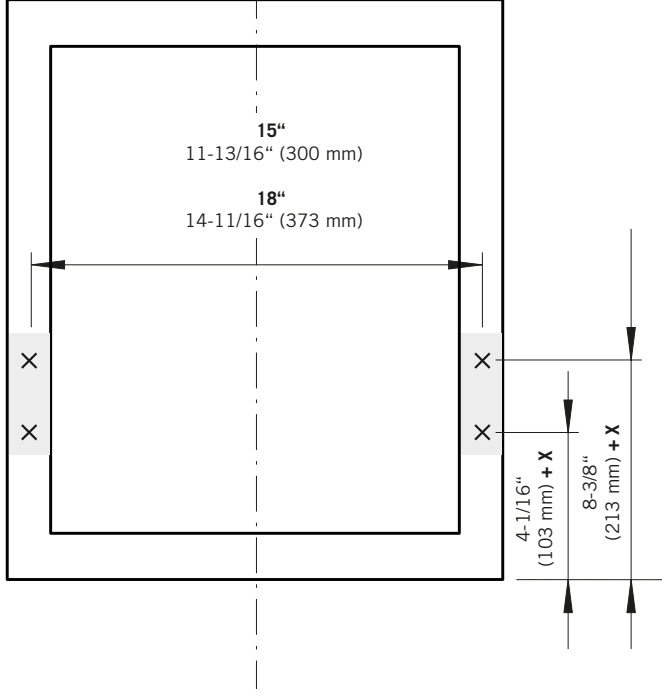
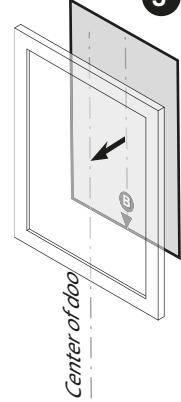
B



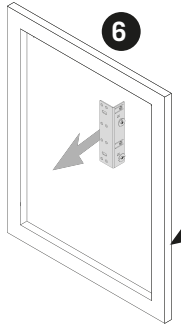
5



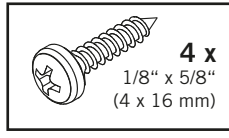
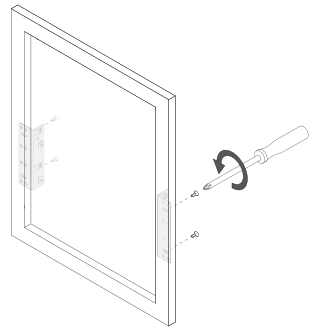
5



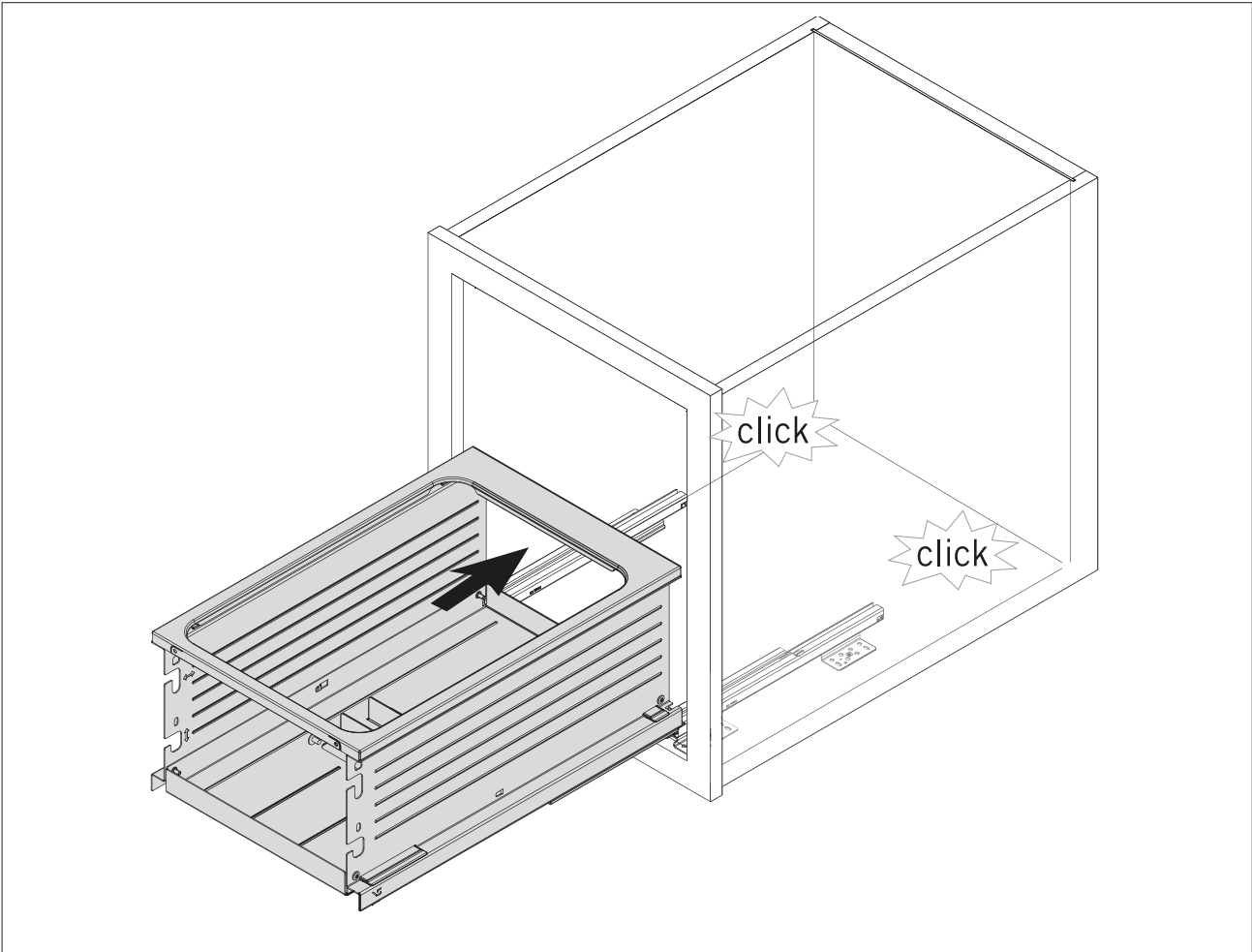
6



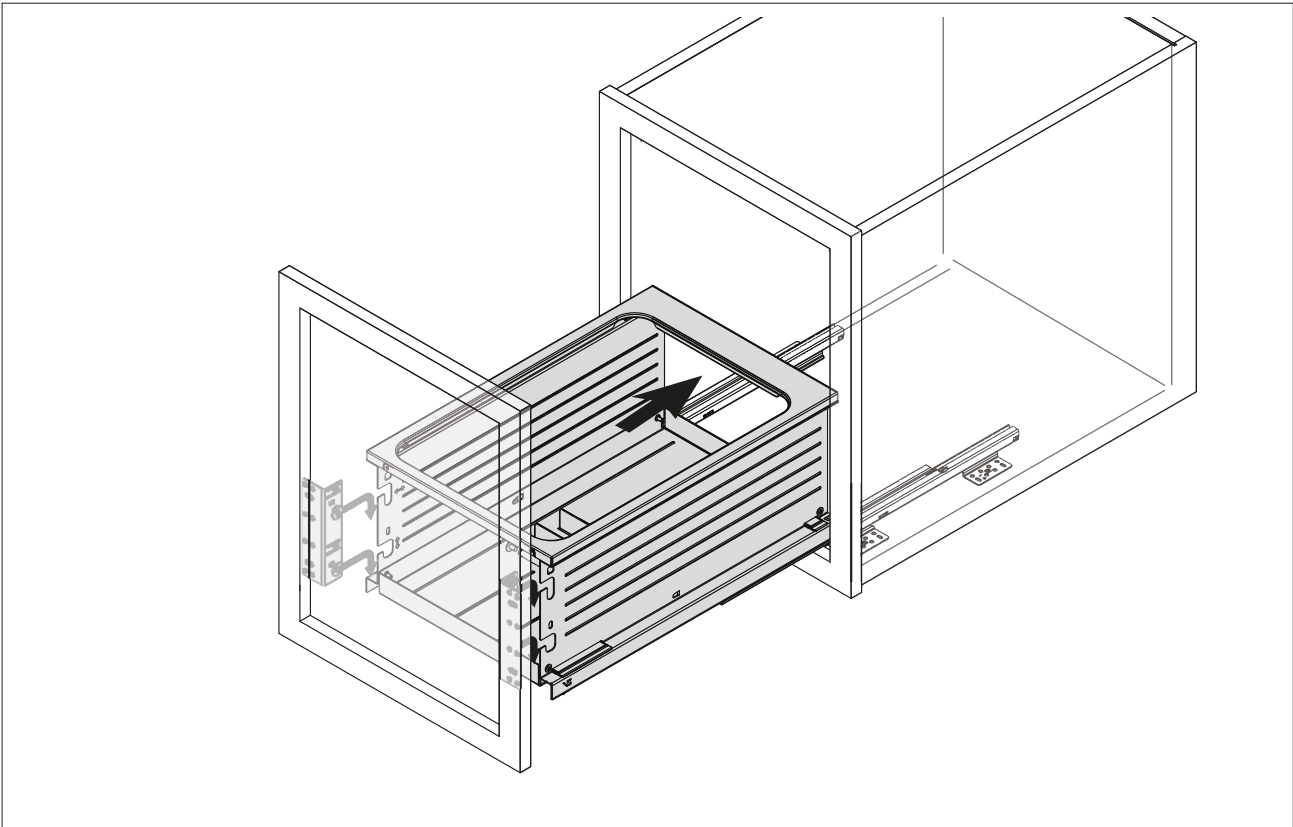
6



7

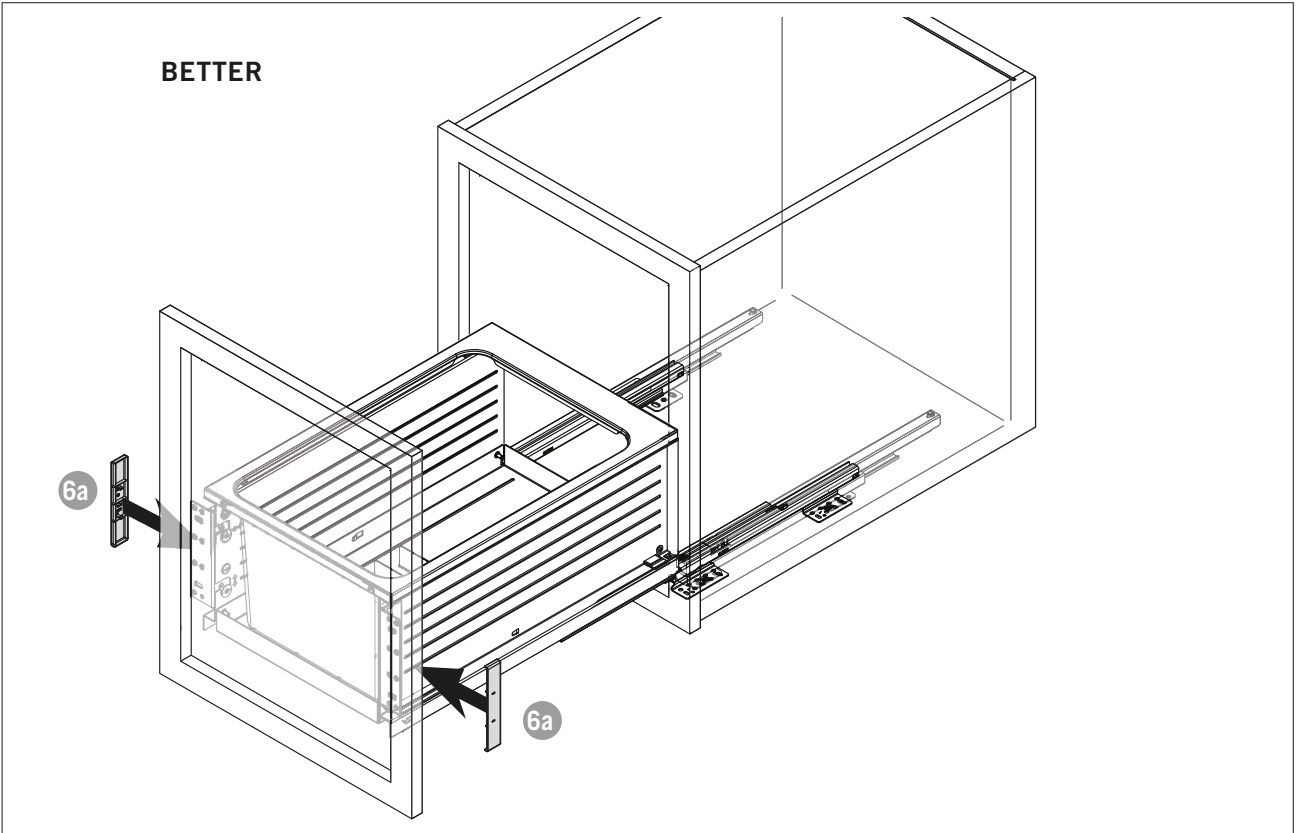


8

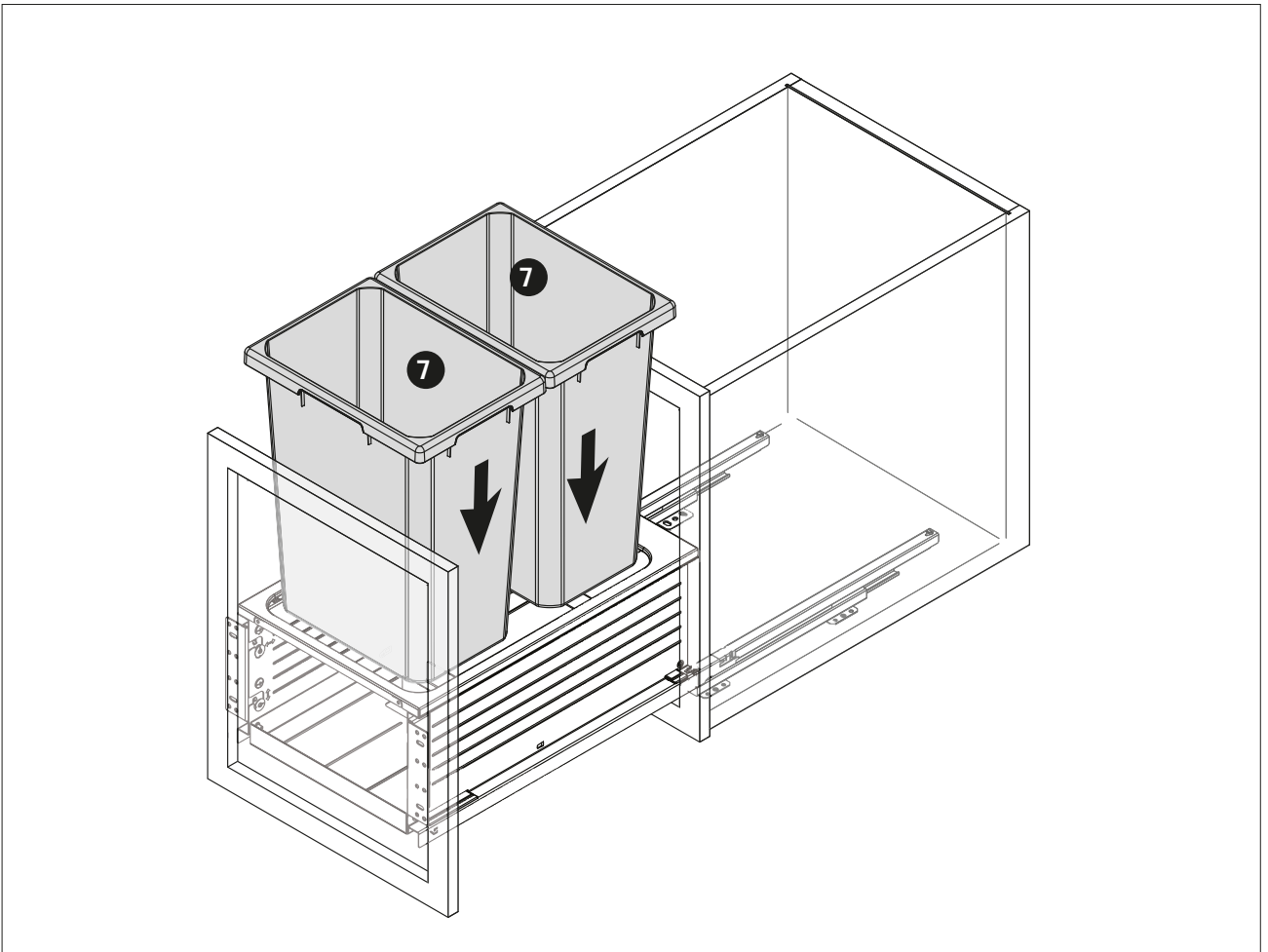


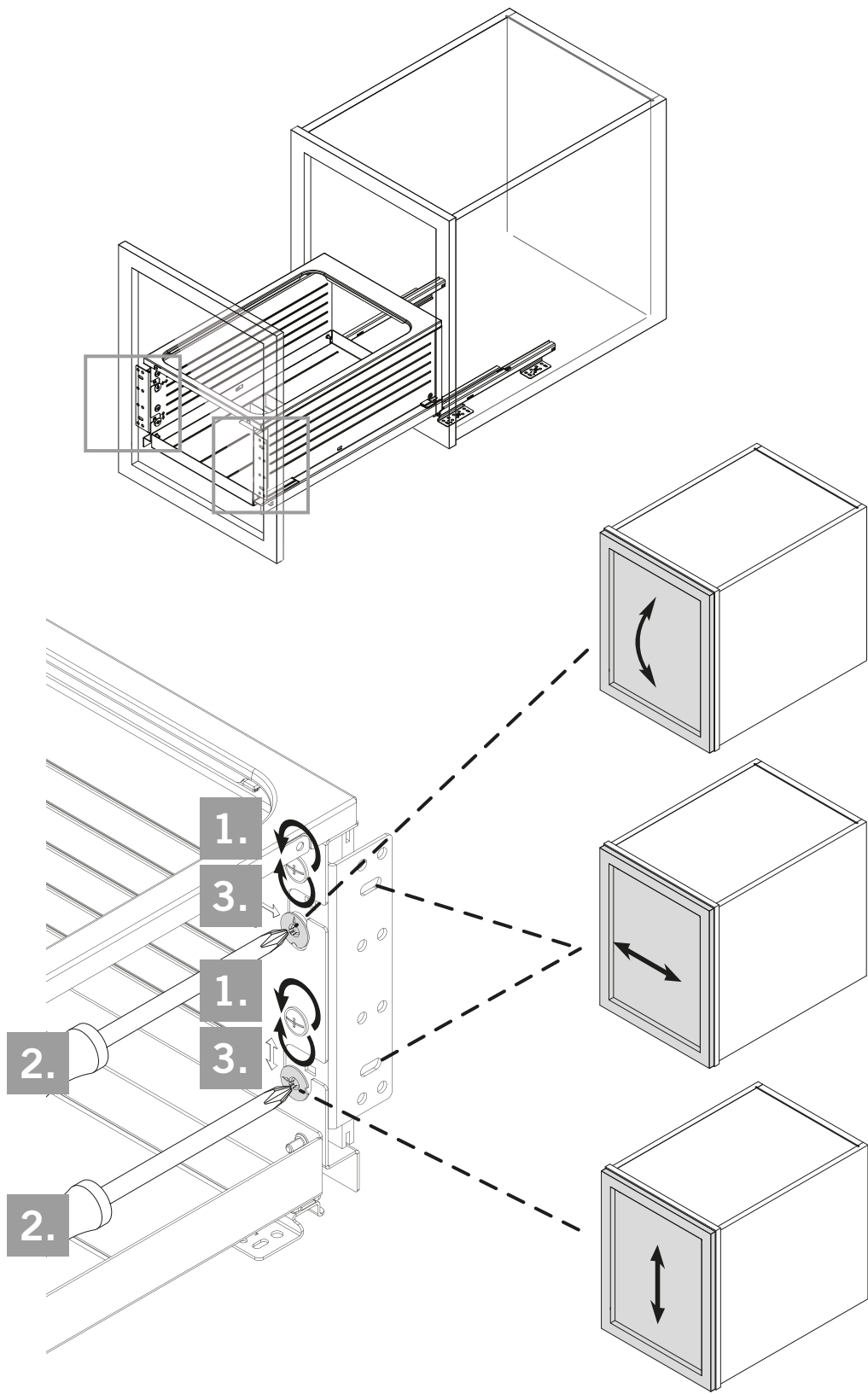
9

BETTER



10





Vauth-Sagel USA LP

Address 1821 Baker Road
High Point, NC 27263

Phone +1 336 861 0740
Toll free +1 855 770 9121
Fax +1 336 861 0741

Email support@vauth-sagel-usa.com
Web www.vauth-sagel-usa.com